

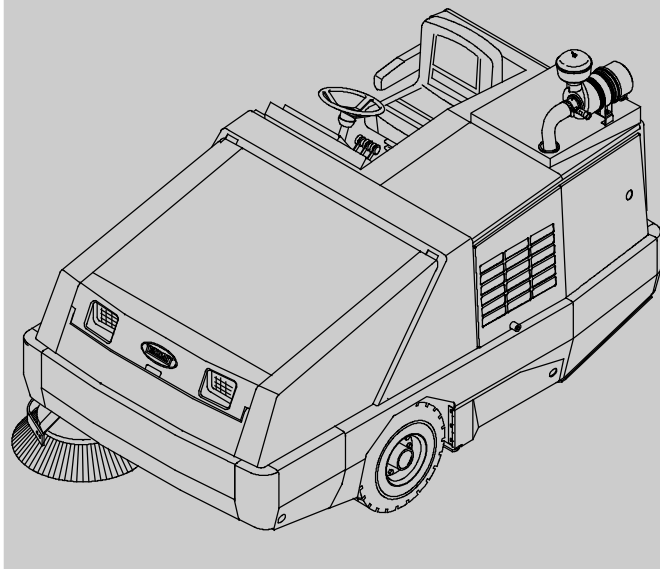
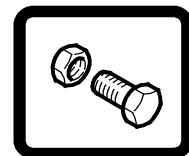


800

(Diesel)

(SN/ 004000-)

Sweeper Parts Manual



North America / International



To view, print or download
the latest manual, visit:

www.tennantco.com/manuals

330140
Rev. 18 (10-2013)



When ordering replacement parts, use the illustrated parts list section in this manual. Before ordering parts or supplies, be sure to have your machine model number and serial number available. Only use TENNANT Company supplied or equivalent parts. Parts and supplies may be ordered online, by phone, or mail from any authorized parts and service center, distributor or from any of the manufacturer's subsidiaries.

This machine will provide excellent service. However, the best results will be obtained at minimum costs if:

- The machine is operated with reasonable care.
- The machine is maintained regularly - per the machine maintenance instructions provided.
- The machine is maintained with manufacturer supplied or equivalent parts.

MACHINE DATA

Please fill out at time of installation for future reference.

Model No. - _____

Serial No. - _____

Machine Options - _____

Sales Rep. - _____

Sales Rep. phone no. - _____

Customer Number - _____

Installation Date - _____

Tennant Company

PO Box 1452

Minneapolis, MN 55440

Phone: (800) 553-8033 or (763) 513-2850

www.tennantco.com

II Speed and Thermo-Sentry, are US registered and unregistered trademarks of Tennant Company.

Specifications and parts are subject to change without notice.

Original instructions, Copyright © 1998-2000, 2002-2005, 2007-2011, 2013 TENNANT Company, Printed in U.S.A.

HOW TO USE THIS MANUAL

This section on *HOW TO USE THIS MANUAL* will tell you how to:

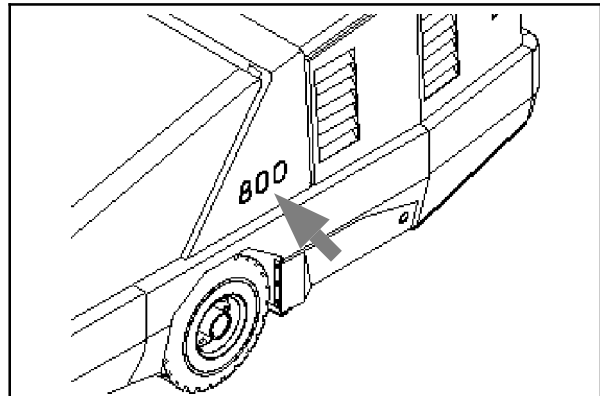
- Find important machine information for ordering correct repair parts.
- Find TENNANT part numbers.
- Order TENNANT parts and supplies.

IMPORTANT INFORMATION

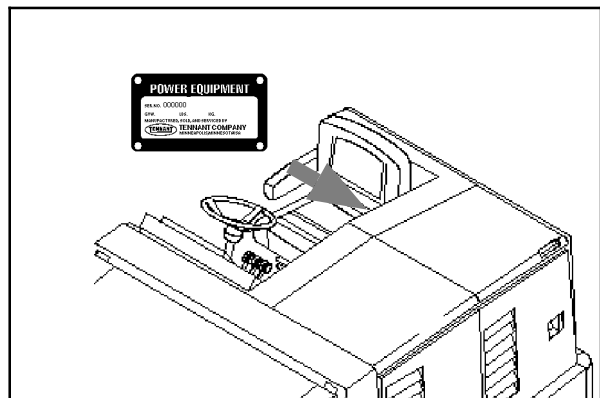
When placing an order for parts, the machine model and machine serial number are important. Refer to the *MACHINE DATA* box which is filled out during the installation of your machine. The *MACHINE DATA* box is located on the inside of the front cover of this manual.

MACHINE DATA	
<i>Please fill out at time of installation for future reference.</i>	
Machine Model Number -	800D
Machine Serial Number -	_____
Machine Options -	_____
TENNANT Representative/phone no. -	_____
Customer ID Number -	_____
Date of Installation -	_____
Manual Number -	330140
Revision:	00
Published:	9-97

The model number of your machine is on the side of the machine.



The serial number of your machine is printed on the machine data plate located as shown.



HOW TO USE THIS MANUAL

FINDING A TENNANT PART NUMBER

This manual contains the following sections:

- HOW TO USE THIS MANUAL
- STANDARD PARTS
- OPTIONS
- BREAKDOWNS
- PERKINS ENGINE BREAKDOWN
- CAT ENGINE BREAKDOWN
- CROSS REFERENCE

The STANDARD PARTS section lists repair parts for standard machines. They are grouped in this general order:

- General wear parts.
- Machine frame and related parts.
- Machine propelling system.
- Sweeping components.
- Electrical parts.

The OPTION section lists repair parts of options.

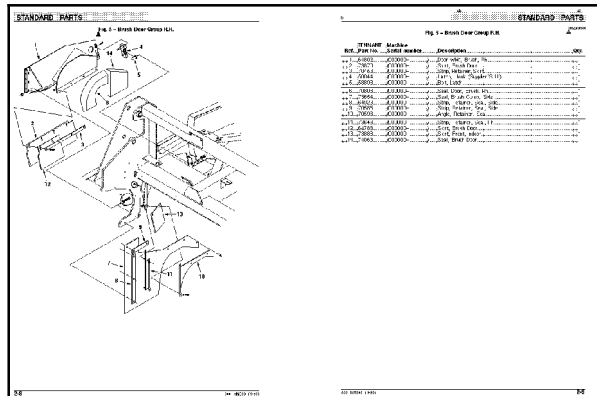
The BREAKDOWN section lists available repair parts of major components.

All sections in this manual consist of parts illustrations and corresponding parts lists.

The parts illustrations are numbered with **Ref** numbers which refer to corresponding parts lists.

The parts lists include a number of columns of information:

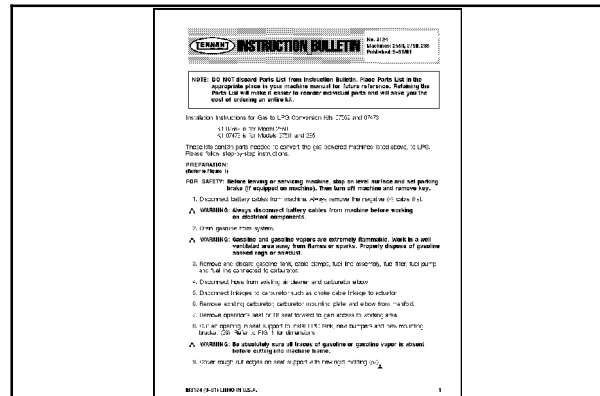
- **Ref** - column refers to the reference number on the parts illustration.
- ∇ - indicates the part is an assembly.
- ▲ - indicates the part is included in the assembly listed just before it.
- **TENNANT Part No.** - column lists the TENNANT part number for the part.
- **Serial Number** - column indicates the set of machines the part number is applicable to. Serial numbers change when the machine design has been modified. The most current design of the machine is shown in the main illustration, older designs are boxed in a corner of the illustration.
- **Description** - column is a brief description of the part.
- **Qty.** - column lists the quantity of that part used in that area of the machine.



TENNANT Part No.	Machine Serial number	Description	Qty.
1	000000	Reim Kit, Instr Panel	1
2	59976	Reim Kit, Case	1
3	59977	Reim Kit, Seal	1
4	59974	Reim Kit, Cir Board	1
5	59978	Reim Kit, Hourmeter	1
6	59979	Reim Kit, Touch Panel	1
7	59971	Reim Kit, Lamp, Backlighting (Ø)	2
8	59546	Reim Kit, Lamp (Ø)	1
9	10632-5	Grommet, Rbr, Ø.25id, For .09Mat.	4
10	61969	Switch, Rocker, Debt	1
11	57807	Cover, Rocker Switch Seal	1
12	87636	Switch Ignition	1
13	87666	Key Set, Switch Kw.	1
14	72109	Reim Kit, Sun Shield	1
15	65245	Panel, Cover, Dash	1
16	70637	Seal, Handle, Valve	1

NOTE: If a service kit is installed on your machine, be sure to keep the **INSTRUCTION BULLETIN** which came with the kit. It contains repair parts numbers needed for ordering future parts.

NOTE: Fasteners used in this machine may be metric or non-metric. Take care when replacing hardware to replace with same thread size.



PLACING AN ORDER

Orders may be placed by phone, fax, or by mail. Phone orders may need written confirmation. Follow the steps below to insure prompt delivery:

1. Identify the model number of your machine.
2. Identify the serial number of your machine.
3. Find the part number of the part you need. Do not order by page number or reference number. If you are not able to find the part number, call your TARRANT representative for help or send the old part as a sample.
4. Determine the quantity of the part you need.
5. Provide the following company information:
 - Company name
 - Customer ID Number
 - Shipping address
 - Billing address
 - First and last name of person ordering parts
 - Telephone number
 - Purchase order number
6. Provide definitive shipping instructions.

HOW TO USE THIS MANUAL

Any claim for loss or damage to a shipment in transit should be filed promptly with the transportation company making the delivery. Shipments will be complete unless the packing list or order acknowledgement indicates items back ordered.

If parts received are suspected to be incorrect or defective, please contact the TENNANT representative from whom you ordered the part. They will give authorization for return and/or handle replacement shipments when required.

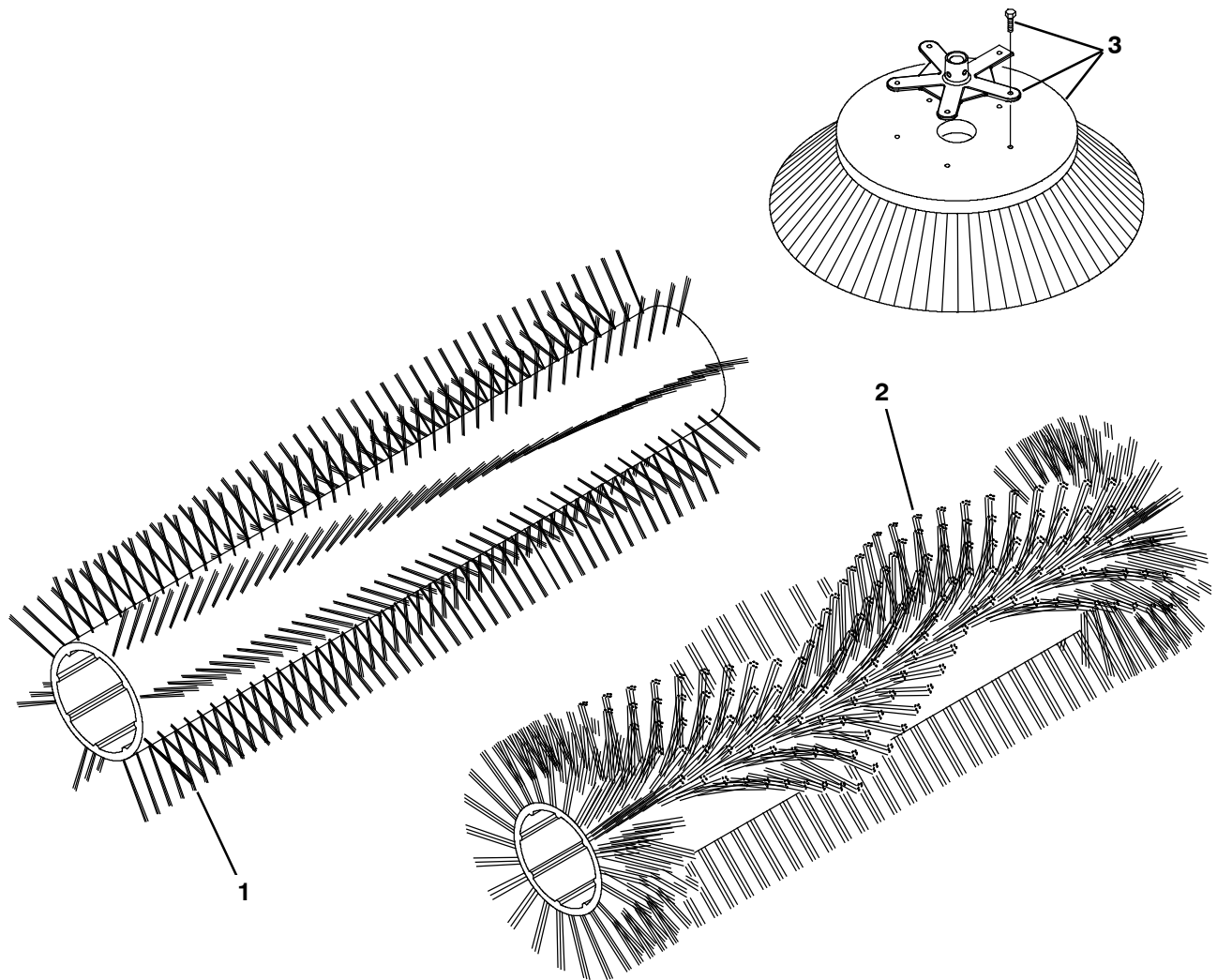
SECTION 2

Contents	Page	Contents	Page
Fig. 1 – General Recommended Maintenance Items	2-2	Fig. 35 – Engine Battery Group (004000-006008)	2-68
Fig. 2 – Brushes, Replacement	2-3	Fig. 36 – Engine Battery Group (006009-)	2-70
Fig. 3 – Main Frame Skirt and Seals Group	2-4	Fig. 37 – Wheel Group, Rear Drive	2-72
Fig. 4 – Main Frame Left Brush Door Group	2-6	Fig. 38 – Wheels and Brakes Group, Front	2-74
Fig. 5 – Main Frame Right Brush Door Group	2-8	Fig. 39 – Wheel Assembly	2-76
Fig. 6 – Main Frame Operator Station Group	2-10	Fig. 40 – Brake Pedals Group	2-78
Fig. 7 – Main Frame Engine Cover and Lintel Group	2-12	Fig. 41 – Directional Pedal Group	2-80
Fig. 8 – Main Frame Engine Side Door Group (004000-006999)	2-14	Fig. 42 – Hydraulic Pumps Group	2-82
Fig. 9 – Main Frame Engine Side Door Group (007000-)	2-16	Fig. 43 – Hydraulic Schematic	2-84
Fig. 10 – Hydraulic Cooler, Filter and Rear Door Group	2-18	Fig. 44 – Hydraulic Hose Group (004000-004936)	2-86
Fig. 11 – Hopper Lift Arms Group	2-20	Fig. 45 – Hydraulic Hose Group (004937-)	2-88
Fig. 12 – Hopper Lift Cylinders Group	2-22	Fig. 46 – Hydraulic Reservoir Group	2-90
Fig. 13 – Hopper Group	2-24	Fig. 47 – Hydraulic Solenoid Valve Group	2-92
Fig. 14 – Hopper Door Group	2-26	Fig. 48 – Hydraulic Lift Valve Group	2-94
Fig. 15 – Hopper Cover Group	2-28	Fig. 49 – Brush Group, Side	2-96
Fig. 16 – Hopper Bumper Group	2-30	Fig. 50 – Brush Lift Group, Side	2-100
Fig. 17 – Hopper Filter Shaker Group	2-32	Fig. 51 – Brush Drive Group, Main	2-104
Fig. 18 – Hopper Pressure Switch Group	2-34	Fig. 52 – Brush Lift Group, Main	2-106
Fig. 19 – Engine and Mount Group (004000-006008)	2-36	Fig. 53 – Brush Adjustment Group, Main	2-108
Fig. 20 – Engine and Mount Group (006009-)	2-38	Fig. 54 – Vacuum Fan Impeller Group	2-110
Fig. 21 – Engine Throttle Group (006009-)	2-40	Fig. 55 – Vacuum Fan Motor Group	2-112
Fig. 22 – Engine Alternator Group (004000-006008)	2-42	Fig. 56 – Steering Group	2-114
Fig. 23 – Engine Oil Filter Group (004000-006008)	2-44	Fig. 57 – Electrical Instrument Panel Assembly	2-116
Fig. 24 – Engine Air Cleaner Group (004000-006008)	2-46	Fig. 58 – Electrical Circuit Breaker and Relay Group	2-118
Fig. 25 – Engine Air Cleaner Group (006009-)	2-48	Fig. 59 – Electrical Schematic (004000- 004302)	2-119
Fig. 26 – Engine Muffler Group (004000-006008)	2-50	Fig. 60 – Electrical Schematic (004303-006008)	2-123
Fig. 27 – Engine Muffler Group (006009-)	2-52	Fig. 61 – Electrical Schematic (006009-)	2-127
Fig. 28 – Engine Fuel Tank Group (004000-006008)	2-54	Fig. 62 – Wire Harnesses Group, Diesel, Main (004000- 004302)	2-131
Fig. 29 – Engine Fuel Tank Group (006009-)	2-56	Fig. 63 – Wire Harnesses Group, Diesel, Hopper (004000-)	2-135
Fig. 30 – Engine Radiator Hose Group (004000-006008)	2-58	Fig. 64 – Wire Harnesses Group, Diesel, Tail Lights (004000-)	2-136
Fig. 31 – Engine Radiator Hose Group (006009-)	2-60	Fig. 65 – Wire Harnesses Group, Diesel, Starter (004000-004302)	2-137
Fig. 32 – Engine Radiator and Cooling Fan Group (004000-006308)	2-62	Fig. 66 – Wire Harnesses Group, Diesel, Main (004303-006008)	2-138
Fig. 33 – Engine Radiator and Cooling Fan Group (006309-006999)	2-64	Fig. 67 – Wire Harnesses Group, Diesel, Main (006009-)	2-142
Fig. 34 – Engine Radiator and Cooling Fan Group (007000-)	2-66	Fig. 68 – Label Group	2-147

Fig. 1 - General Recommended Maintenance Items

Ref.	Part No.	Serial Number	Description	Qty.
▽	77632	(004000-) Maintenance Kit, Skirts	1
▲	73870	(004000-) Skirt, Brush Door	2
▲	64788	(004000-) Skirt, Brush Door	2
▲	70453	(004000-) Strip, Retainer, Skirt	2
▲	62955	(004000-) Skirt, Seal, Main Brush	1
▲	62957	(004000-) Channel, Retainer, Seal, Rear	1
▲	62954	(004000-) Blade, Deflector	1
▲	62956	(004000-) Strap, Retainer, Seal	1
▲	43500	(004000-) Chain, Link#2/0, 7Links	1
▽	79032	(004000-) Maintenance Kit, Skirts 800	1
▲	64919	(004000-) Seal, Pan, Top	1
▲	64920	(004000-) Channel, Retainer	1
▲	73654	(004000-) Seal, Brush Comp, Side	2
▲	73888	(004000-) Skirt, Front, Indoor	2
▽	380740	(004000-006008) Maintenance Kit, 400HR 800/810 Diesel	1
▲	68986	(004000-006008) Filter, Oil	4
▲	36050	(004000-006008) Filter, Fuel	1
▲	1017126	(004000-006008) Filter, Fuel, Element	1
▲	60933	(004000-006008) Element, Filter, Air	1
▲	60934	(004000-006008) Element, Filter, Air	1
▽	77634	(004000-) Maintenance Kit, 800HR 800/810	1
▲	34306	(004000-) Breather, Hyd 40Mic No DS	1
▲	31613	(004000-) Strainer-Hyd Suction 25-100-03	1
▲	65221	(004000-) Element, Fltr, Oil	1
▲	1057711	(004000-) Oil, Hyd [El, Iso 100, 05gal]	3
	1057710	(004000-) Oil, Hyd [El, Iso 100, 01gal]	1
	1069019	(004000-) Oil, Hyd [El, Iso 68, 01gal]	1
	1069020	(004000-) Oil, Hyd [El, Iso 68, 05gal]	1
	1057707	(004000-) Oil, Hyd [El, Iso 32, 01gal]	1
	1057708	(004000-) Oil, Hyd [El, Iso 32, 05gal]	1
	372654	(006009-) Filter, Oil	1
	36050	(006009-) Filter, Fuel	1
	1017126	(006009-) Element, Fltr, Fuel [Dn]	1
	372652	(006009-) Element, Fltr, Air-clnr	1
	372651	(006009-) Filter, Safety, Air-clnr	1
	16411	(004000-) Paint, Airdry, Off-White, 12oz	1
	16412	(004000-) Paint, Airdry, Teal, 12oz, Solid	1
	377540	(004000-) Paint, Airdry, Blk, 12oz	1
	377538	(004000-) Paint, Airdry, Gray, 12oz	1
	377537	(004000-) Paint, Airdry, Iron Gray, 12oz	1

Fig. 2 - Brushes, Replacement



07628 - 800

Ref.	Part No.	Serial Number	Description	Qty.	
1	35326	(004000-) Brush-Sweep -Polypropylene	1	
1	35324	(004000-) Brush-Sweep -Polypropylene&Wire	1	
1	35327	(004000-) Brush-Sweep -Wire	1	
1	35325	(004000-) Brush-Outsd -Polypropylene	1	
1	35336	(004000-) Brush-Patrl -Nylon	1	
1	35323	(004000-) Brush-Sweep -Nylon (24SR)	1	
1	66020	(004000-) Brush-Sweep -Nylon (8DR)	1	
2	370011	(004000-) Brush, Swp, Wedge, Polypropylene	1	
▽	3	75011	(004000-) Brush-Side Swp -Assy-Nylon	1
▲		51021N	(004000-) Brush-Side Swp -Nylon	1
▲		1042969	(004000-) Hub, Drive, Brush, Side, 1.00b 8.8bc	1
▲		39394	(004000-) Screw, Hex, .31-09 X 1.25, Wood	5
▽	3	75010	(004000-) Brush-Side Swp -Assy-Flat Wire	1
▲		51542	(004000-) Brush-Side Swp -Flat Wire	1
▲		1042969	(004000-) Hub, Drive, Brush, Side, 1.00b 8.8bc	1
▲		39394	(004000-) Screw, Hex, .31-09 X 1.25, Wood	5
▽	3	70649	(004000-) Brush-Side Swp -Assy-Polypropylene	1
▲		70538	(004000-) Brush-Side Swp -Polypropylene	1
▲		1042969	(004000-) Hub, Drive, Brush, Side, 1.00b 8.8bc	1
▲		39394	(004000-) Screw, Hex, .31-09 X 1.25, Wood	5

Fig. 3 - Main Frame Skirt and Seals Group

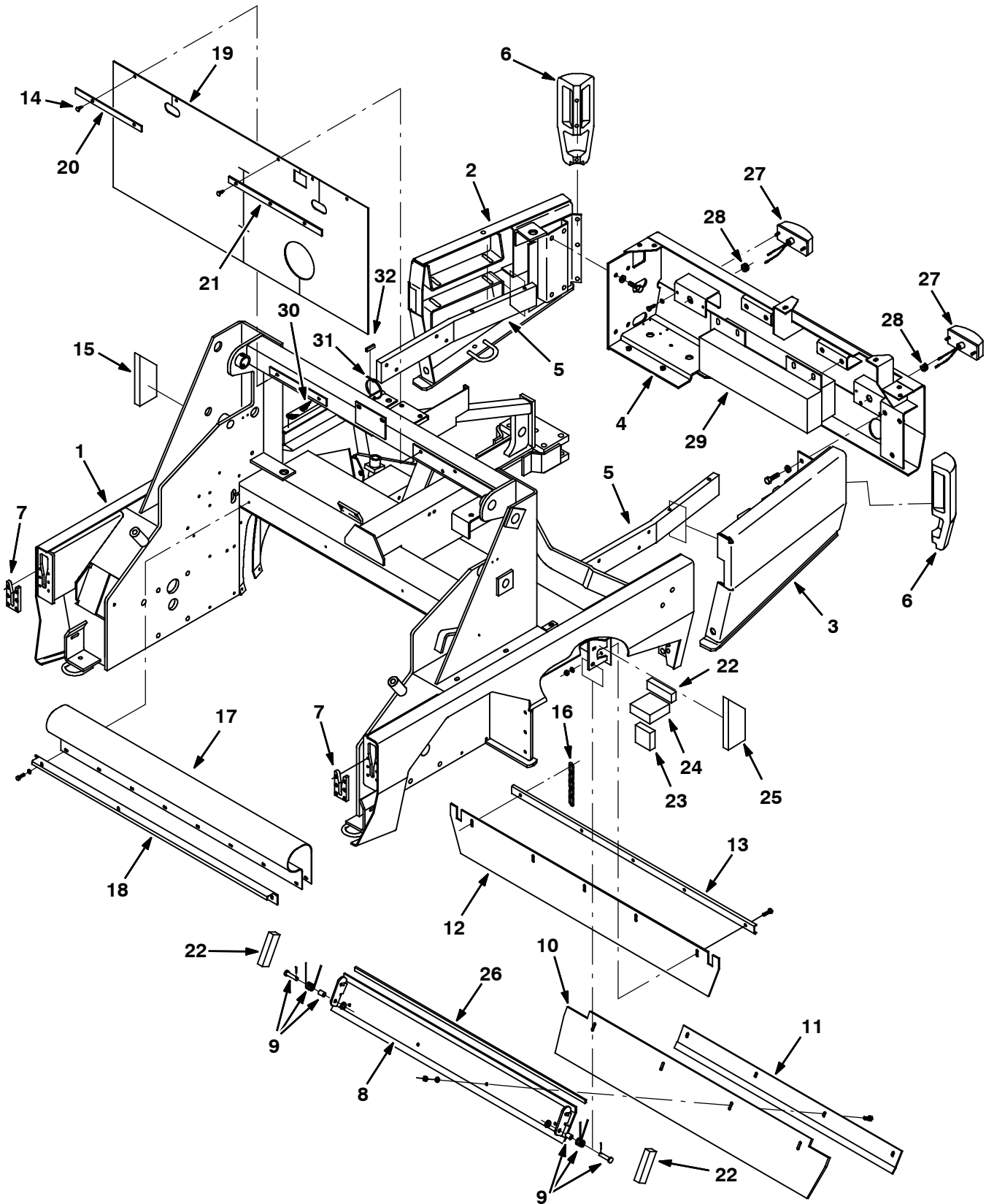


Fig. 3 - Main Frame Skirt and Seals Group

Ref.	Part No.	Serial Number	Description	Qty.	
1	77777	(004000-) Frame	1	
2	77782	(004000-) Panel Wldt, Rear, Rh	1	
3	77734	(004000-) Panel Wldt, Rear, Lh	1	
4	1028300	(004000-) Bumper Wldt, Rear, Gas/Dsl	1	
5	77593	(004000-) Bar, Frame	2	
6	63544	(004000-) Bumper, Corner, Mach	2	
7	63663	(004000-) Plate, Guide, Bumper	2	
8	73645	(004000-) Channel, Mounting	1	
9	69904	(004000-) Spring, Recirculation	1	
10	62954	(004000-) Blade, Deflector	1	
11	62956	(004000-) Strap, Retainer, Seal	1	
12	62955	(004000-) Skirt, Seal, Main Brush	1	
13	62957	(004000-) Channel, Retainer, Seal,Rear	1	
14	21168	(004000-) Clip, Pine-Tree .250h Plastic	5	
15	74066	(004000-) Insulation, S/Foam	1	
16	43500	(004000-) Chain,Link#2/0,7Links	1	
17	64919	(004000-) Seal, Pan, Top	1	
18	64920	(004000-) Channel, Retainer	1	
19	73724	(004000-) Shield, Dust	1	
20	70843	(004000-) Strip, Retainer, Shield, Rh	1	
21	70844	(004000-) Strip, Retainer, Shield, Lh	1	
22	74064	(004000-) Insulation, S/Foam	4	
23	73863	(004000-) Insulation, S/Foam 1.0X3.0X3.0	2	
24	73862	(004000-) Insulation, S/Foam 1.5X4.0X4.0	2	
25	74067	(004000-) Insulation, S/Foam	1	
26	79010	(004000-) Seal	1	
▽	27	57941	(004000-) Light Assy Stop/Red 12V- . A	2
▲	45780	(004000-) Bulb, 12V .5A 4Cp #1157	1	
28	87515	(004000-) Grommet,Rbr,0.50ld,For .25Matl	2	
29	79676	(004000-) Weight, Die	1	
30	86798	(004000-) Pad, Tread	1	
31	49263	(004000-) Tie, Cable, Nyl, 11.4l .19w 3.0 Max D	1	
32	361160	(004000-) Molding, Trim, Pvc, .08-.11 01.0l	1	

Fig. 4 - Main Frame Left Brush Door Group

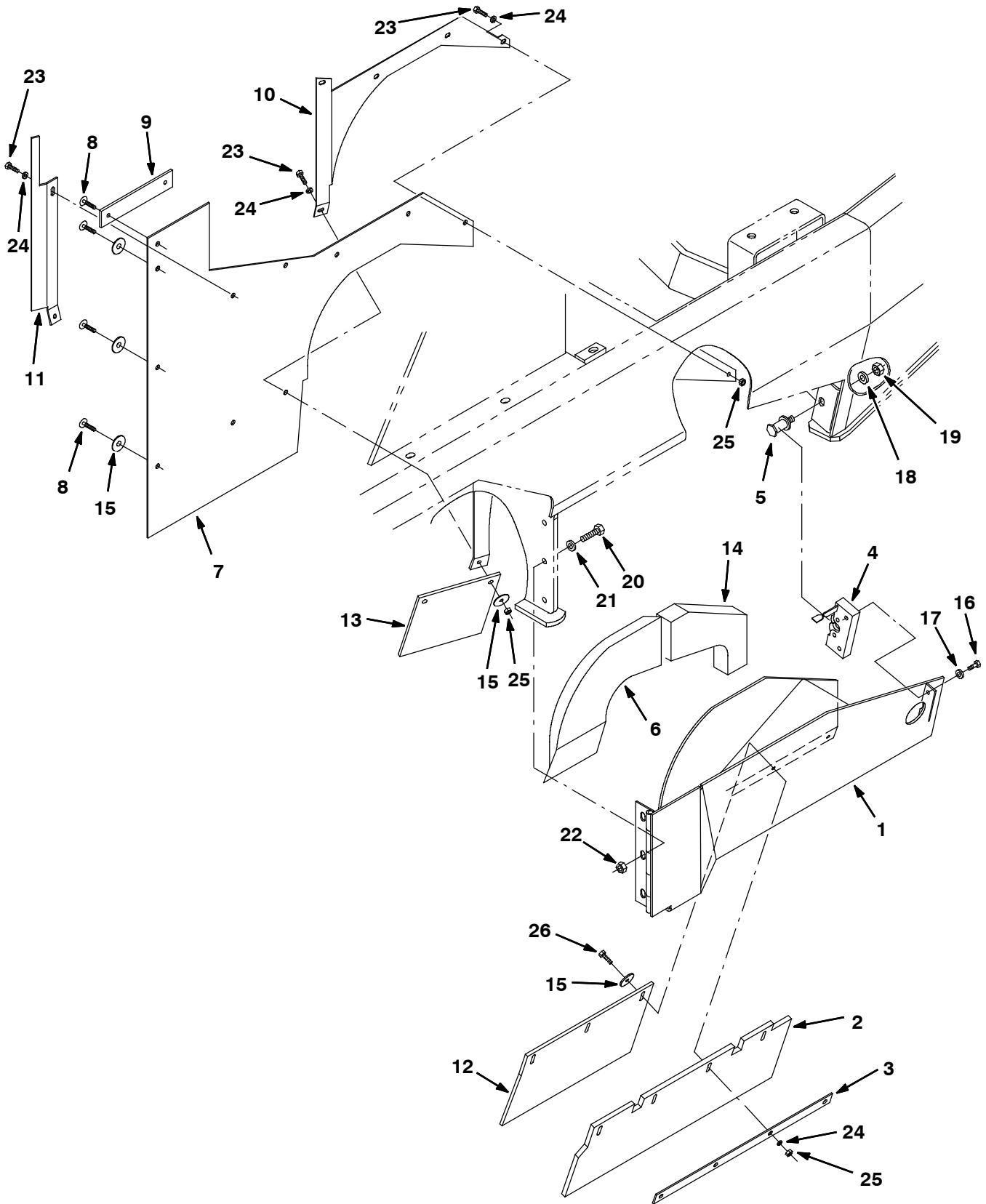


Fig. 4 - Main Frame Left Brush Door Group

Ref.	Part No.	Serial Number	Description	Qty.
1	64801	(004000-) Door Wldt, Brush, Lh	1
2	73870	(004000-) Skirt, Brush Door	1
3	70453	(004000-) Strip, Retainer, Skirt	1
4	58489	(004000-) Latch, Hook (Supplier's Rh)	1
5	58898	(004000-) Bolt, Latch	1
6	70809	(004000-) Seal, Door, Brush, Lh	1
7	73654	(004000-) Seal, Brush Comp, Side	1
8	21168	(004000-) Rivet, Plastic	5
9	21282	(004000-) Strip, Retainer, Seal, Side	1
10	70597	(004000-) Angle, Retainer, Seal	1
11	73648	(004000-) Strip, Retainer, Seal, Lh	1
12	64788	(004000-) Skirt, Brush Door	1
13	73888	(004000-) Skirt, Front, Indoor	1
14	74062	(004000-) Seal, Brush Door	1
15	41178	(004000-) Fender Washer	9
16	34323	(004000-) Screw, Hex, .25-20 X 0.75, NI	2
17	41185	(004000-) Washer, Flat, Belleville, .25	2
18	39346	(004000-) Washer, Flat, 0.44, Std	1
19	43955	(004000-) Nut, Hex, Std, .44-14, 5	1
20	39283	(004000-) Screw, Hex, M10 X 1.5 X 25, 8.8	3
21	32492	(004000-) Washer, Flat, 0.38, Std	3
22	07792	(004000-) Nut, Hex, Flng, M10 X 1.50	3
23	06944	(004000-) Screw, Hex, M6 X 1.0 X 25, 8.8	5
24	32483	(004000-) Washer, Flat, 0.25, Sae	14
25	08708	(004000-) Nut, Hex, Lock, M6 X 1.00, NI	11
26	06946	(004000-) Screw, Hex, M6 X 1.0 X 35, 8.8	4

Fig. 5 - Main Frame Right Brush Door Group

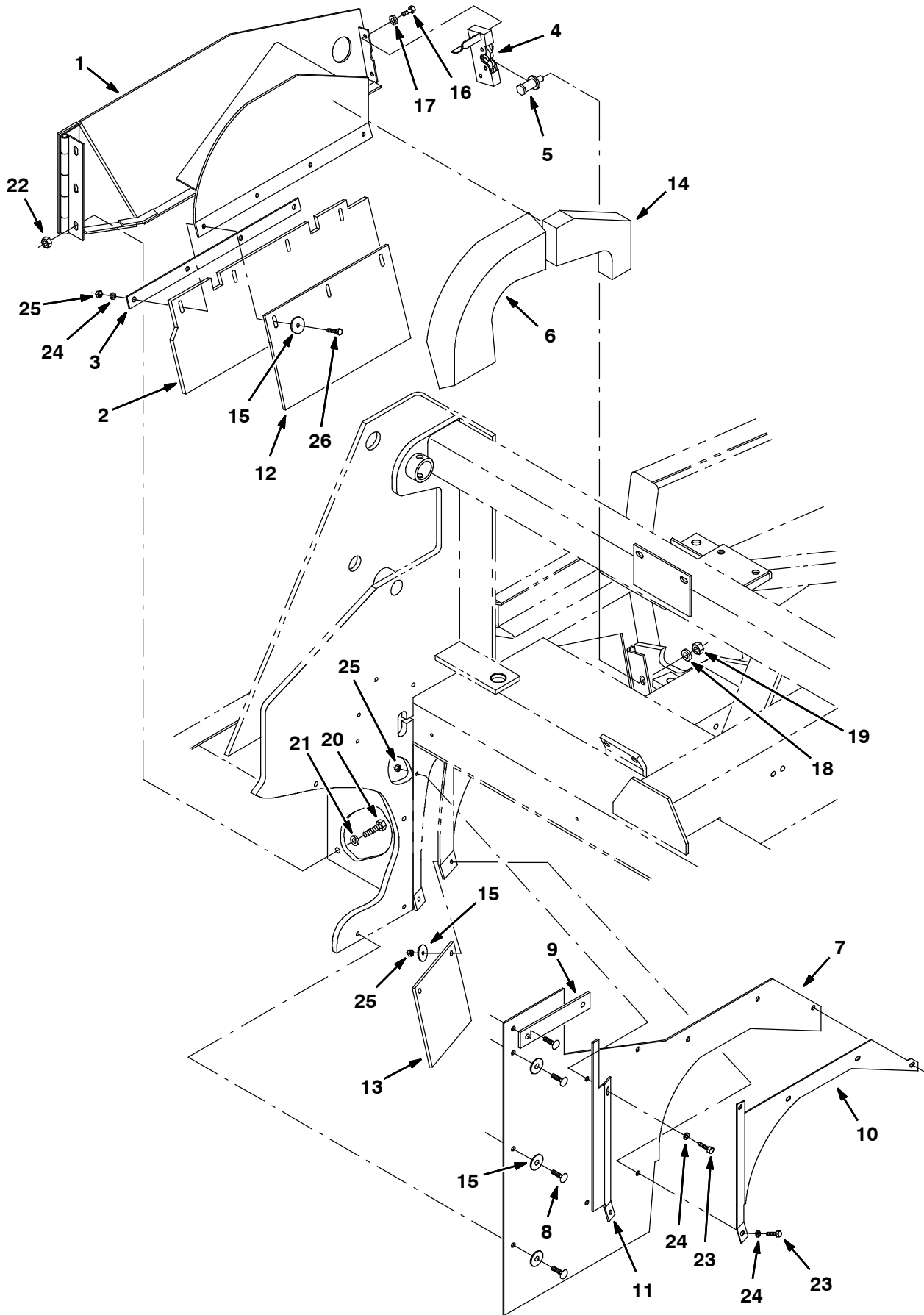


Fig. 5 - Main Frame Right Brush Door Group

Ref.	Part No.	Serial Number	Description	Qty.
1	64802	(004000-) Door Wldt, Brush, Rh	1
2	73870	(004000-) Skirt, Brush Door	1
3	70453	(004000-) Strip, Retainer, Skirt	1
4	58844	(004000-) Latch, Hook (Supplier's Lh)	1
5	58898	(004000-) Bolt, Latch	1
6	70808	(004000-) Seal, Door, Brush, Rh	1
7	73654	(004000-) Seal, Brush Comp, Side	1
8	21168	(004000-) Rivet, Plastic	5
9	21282	(004000-) Strip, Retainer, Seal, Side	1
10	70598	(004000-) Angle, Retainer, Seal	1
11	73649	(004000-) Strip, Retainer, Seal, Rh	1
12	64788	(004000-) Skirt, Brush Door	1
13	73888	(004000-) Skirt, Front, Indoor	1
14	74063	(004000-) Seal, Brush Door	1
15	41178	(004000-) Fender Washer	9
16	34323	(004000-) Screw, Hex, .25-20 X 0.75, NI	2
17	41185	(004000-) Washer, Flat, Belleville, .25	2
18	39346	(004000-) Washer, Flat, 0.44, Std	1
19	43955	(004000-) Nut, Hex, Std, .44-14, 5	1
20	39283	(004000-) Screw, Hex, M10 X 1.5 X 25, 8.8	3
21	32492	(004000-) Washer, Flat, 0.38, Std	3
22	07792	(004000-) Nut, Hex, Flng, M10 X 1.50	3
23	06944	(004000-) Screw, Hex, M6 X 1.0 X 25, 8.8	5
24	32483	(004000-) Washer, Flat, 0.25, Sae	14
25	08708	(004000-) Nut, Hex, Lock, M6 X 1.00, NI	11
26	06946	(004000-) Screw, Hex, M6 X 1.0 X 35, 8.8	4

Fig. 6 - Main Frame Operator Station Group

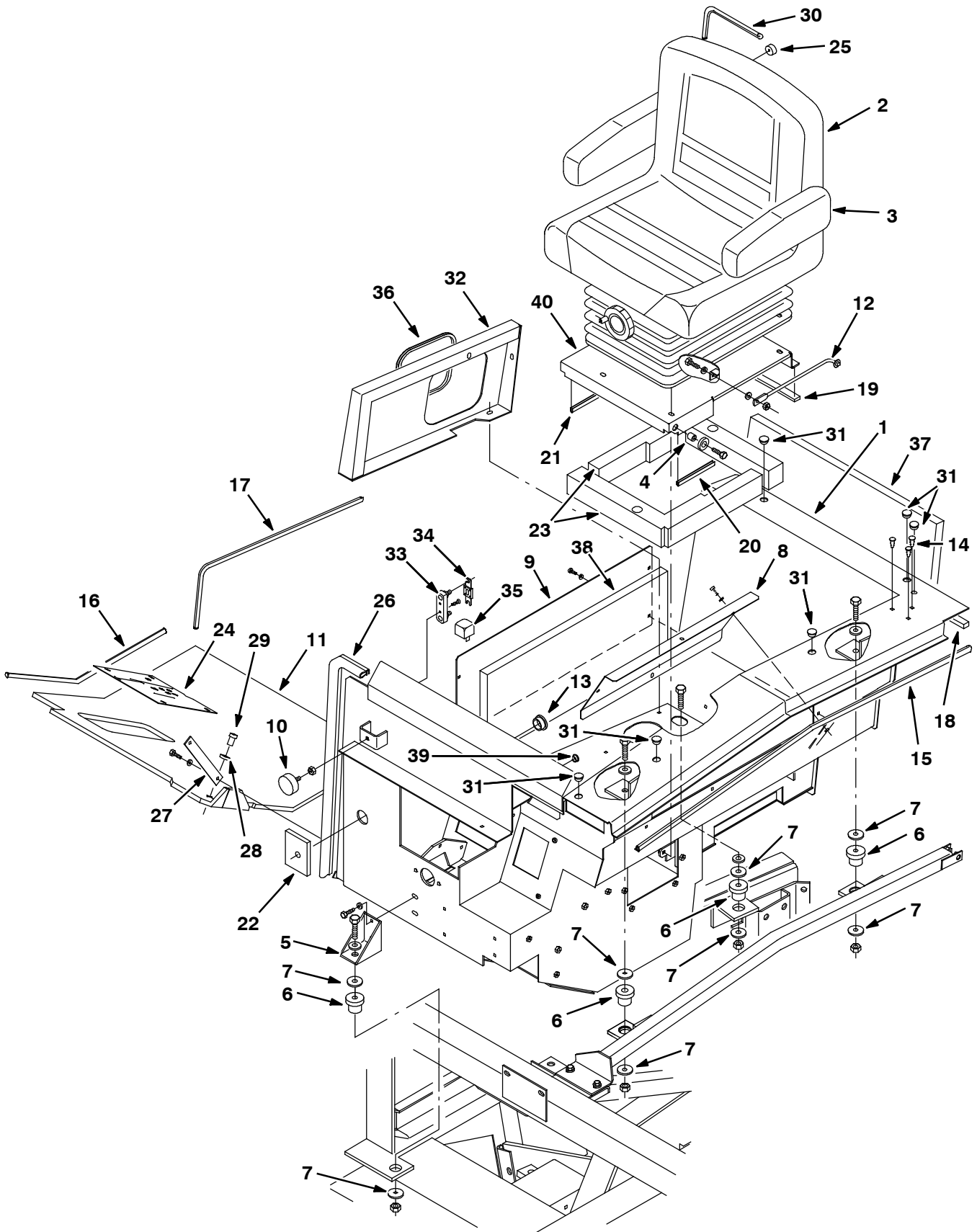


Fig. 6 - Main Frame Operator Station Group

Ref.	Part No.	Serial Number	Description	Qty.
	1	380680	(004000-) Panel Wldt w/label	1
▽	2	63294	(004000-) Seat, Suspension	1
▲	3	311336	(004000-) Armrest, Black	1
	4	40716	(004000-) Sleeve, .385B .62D .62 Cd.Cad	2
	5	63751	(004000-) Bracket, Oper Comp	1
	6	51176	(004000-) Dampner, Engine	4
	7	04414	(004000-) Washer, .531B 1.88D .12Hard Zn	8
	8	64884	(004000-) Panel, Cover, Access	1
	9	70450	(004000-004439) Panel, Air Conditioning	1
	9	375696	(004440-) Panel, Air Conditioning	1
	10	70756	(004000-) Bumper, Rubber	1
	11	76495	(004000-) Tread, Floormat, Rubber	1
	12	54615	(004000-) Rod, Seat	1
	13	76888	(004000-) Plugbtn 1.25h .12 Max Blacknyl	1
	14	77399	(004000-) Clip, Pine-tree .236h Plastic	3
	15	57820	(004000-) Seal, 48.0 Lg.	1
	16	73903	(004000-) Seal, Bulb, Sd-0504 24.50Lg	1
	17	73901	(004000-) Seal, 7.00 Lg	1
	18	74081	(004000-) Seal	1
	19	44777	(004000-) Seal,Foam Rbr, .31 .75W 14.8L	1
	20	62595-3	(004000-) Molding, Trim 11-14Ga 5.75	1
	21	62595-2	(004000-) Molding, Trim 11-14Ga 15.75	1
	22	79028	(004000-) Seal, Rod, Adjuster	1
▽		76494	(004000-) Sealing Kit, Operator Comp	1
▲	23	76285	(004000-) Insulation, S/Foam, Seat	2
▲	24	79116	(004000-) Seal, Dust	1
	25	82921	(004000-) Bumper, Rubber	1
	26	77340	(004000-) Seal, Bulb, Sd-0504 28.00 Lg	1
	27	76492	(004000-) Bar, Retainer	1
	28	41178	(004000-) Washer-Flt .25 Fender Rltd.	1
	29	21246	(004000-) Rivet, Plastic .325D X .787	1
	30	49282	(004000-) Molding, Trim 16Ga&Thinnr 10.0	1
	31	75428	(004000-) Plugbtn .75h .03-.12 Blacknyl	9
	32	380730	(004000-) Panel, Fuel Inlet w/label	1
	33	86381	(004000-) Block, Fuse	1
	34	87319	(004000-) Fuse, 40 Amp	1
	35	380559	(004000-) Relay, 12Vdc 70A Cont Spst	1
	36	380692	(004000-) Trim	1
	37	23946	(004000-) Insulation	1
	38	380765	(004000-004439) Insulation	1
	38	375698	(004440-) Insulation	1
	39	33806	(004000-) Plug	1
	40	70478	(004000-) Panel, Support, Seat	1

Fig. 7 - Main Frame Engine Cover and Lintel Group

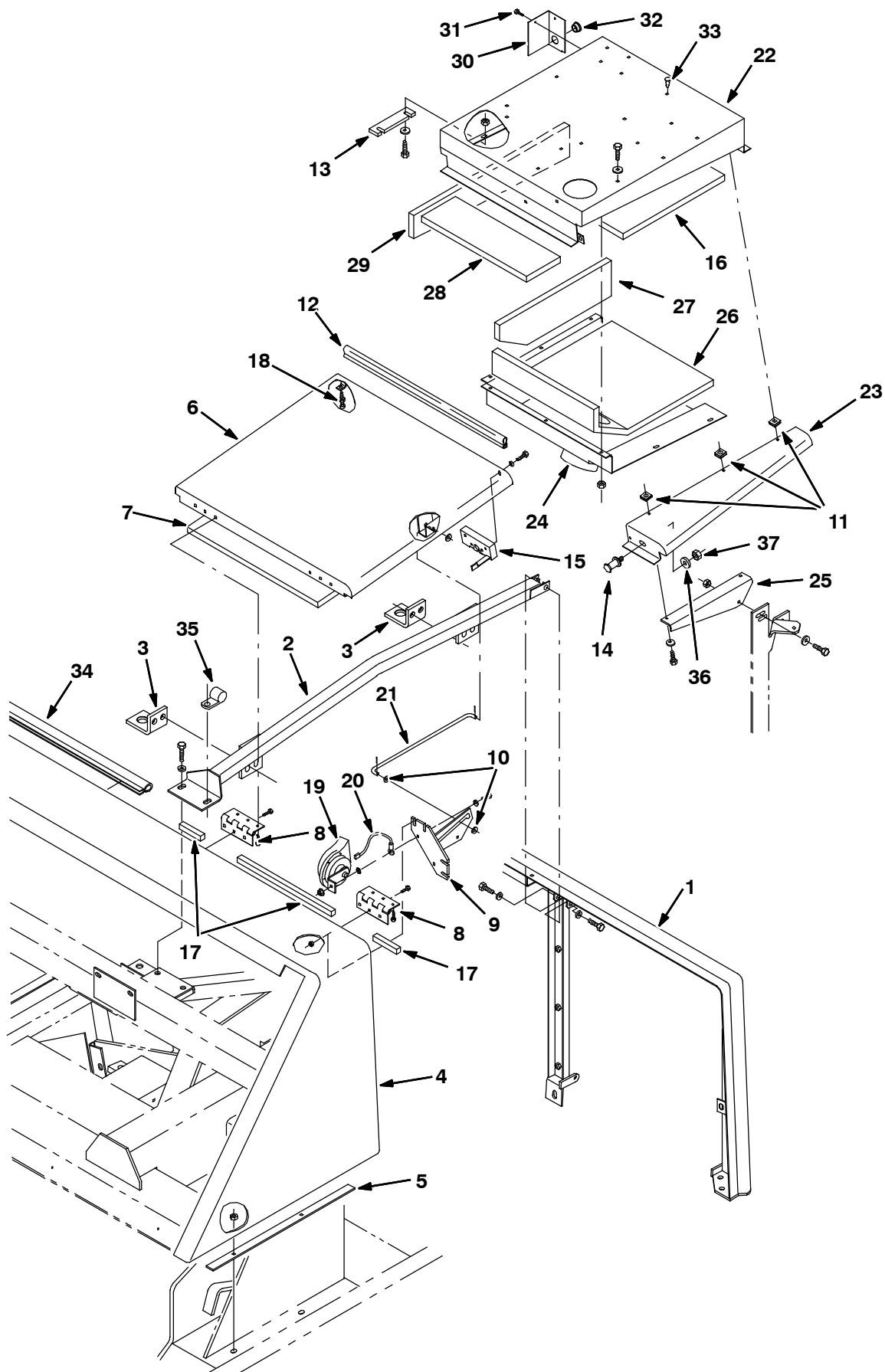


Fig. 7 - Main Frame Engine Cover and Lintel Group

Ref.	Part No.	Serial Number	Description	Qty.
1	64312	(004000-) Lintel, Rear	1
2	380533	(004000-) Tube Wldt, Brace, Center	1
3	380532	(004000-) Bracket, Brace Center	2
4	64278	(004000-) Lintel, Main	1
5	64279	(004000-) Strip, Spacer	2
6	75303	(004000-) Cover Wldt, Engine Se	1
7	76870	(004000-) Insulation,S/Foam .8X19.3X20.3	1
8	74040	(004000-) Hinge	2
9	21131	(004000-) Bracket Wldt, Gas Spring	1
10	43454	(004000-) Washer, .344B .69D .06Nylon	2
11	12271	(004000-) U-Nut Clip, M6	3
12	77778	(004000-) Seal, Bulb, Sd-0504 19.75Lg	1
13	21230	(004000-) Plate, Support, Cover Se	1
14	59192	(004000-) Latch, Bolt	1
15	58844	(004000-) Latch, Hook, Rh	1
16	375537	(004000-) Insulation, S/Foam .5T 17.0X 15	1
17	53461-2	(004000-) Seal,Foam Rbr, .62 .62W 24.5L	1
18	75128	(004000-) Spindle, Adjustment	1
19	369704	(004000-) Horn, 12 Volt	1
20	21643	(004000-) Wire, Lead	1
21	75883	(004000-) Rod, Support Cover	1
22	375536	(004000-006008) Panel Wldt, Cover Engine	1
22	1014456	(006009-) Panel Wldt, Cover Engine	1
23	77711	(004000-) Panel, Cover, Corner	1
24	47958	(004000-) Panel, Vacuum Duct	1
25	375513	(004000-) Bracket, L 12.0L Hood Support	1
26	380761	(004000-) Insulation, S/Foam, .8T 17.0X15	1
27	380762	(004000-) Insulation, S/Foam, .8T 18.0X4.5	1
28	380763	(004000-) Insulation, S/Foam, .8T 16.5X5	1
29	380764	(004000-) Insulation, S/Foam, .8T 23.0X4X3	1
30	380760	(004000-) Panel, Corner, Eng Cover	1
31	55845	(004000-) Scr-Hxfmgm 5X0.8 16 pltd	1
32	82727	(004000-) Plugbutton .88H .03-.12 Blacknyl	1
33	77399	(004000-) Clip, Tree	11
34	55756	(004000-) Seal	1
35	58366	(004000-) Clamp, Cable, Stl, 1.25d X 1.00w, 1h	1
36	41619	(004000-) Washer, Flat, 0.56b 1.38d .11, Ss	1
37	07788	(004000-) Nut, Hex, Std, M12 X 1.75, Ss	1

Fig. 8 - Main Frame Engine Side Door Group (004000-006999)

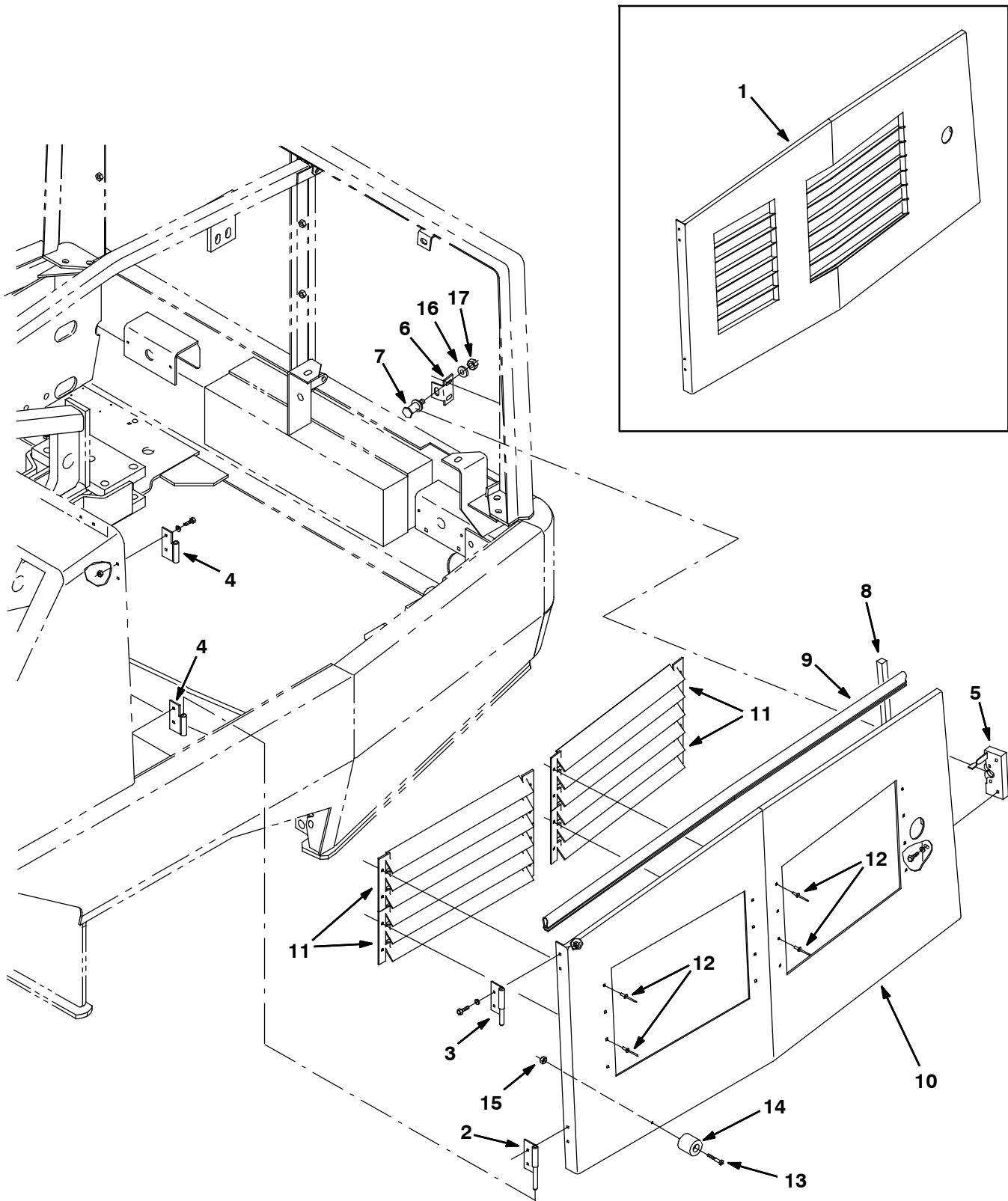


Fig. 8 - Main Frame Engine Side Door Group (004000-006999)

Ref.	Part No.	Serial Number	Description	Qty.
1	23950	(004000-004408)	Door Wldt, Engine	1
2	64543	(004000-006999)	Hinge, W/Pin	1
3	70628	(004000-006999)	Hinge, W/Pin	1
4	64545	(004000-006999)	Hinge	2
5	58489	(004000-006999)	Latch, Hook Rh	1
6	70407	(004000-006999)	Angle, Bolt, Latch	1
7	59192	(004000-006999)	Latch, Bolt	1
8	53461-2	(004000-006999)	Seal,Foam Rbr, .62 .62W 24.5L	1
9	57820	(004000-006999)	Seal, 48.0 Lg.	1
10	375695	(004409-006999)	Door Wldt, Engine	1
11	375693	(004409-006999)	Panel, Louver	4
12	06524	(004409-006999)	Rivet, Pop	16
13	09258	(004903-006999)	Screw, Pan, M 6 X 1.0 X 40, 4.8	1
14	44851	(004903-006999)	Bumper, Rbr, 1.5d 1.50 0.28h	1
15	08708	(004903-006999)	Nut, Hex, Lock, M06 X 1.0, NI	1
16	32493	(004000-006999)	Washer, Flat, 0.50, Std	1
17	39313	(004000-006999)	Nut, Hex, Std, M12 X 1.75	1

Fig. 9 - Main Frame Engine Side Door Group (007000-)

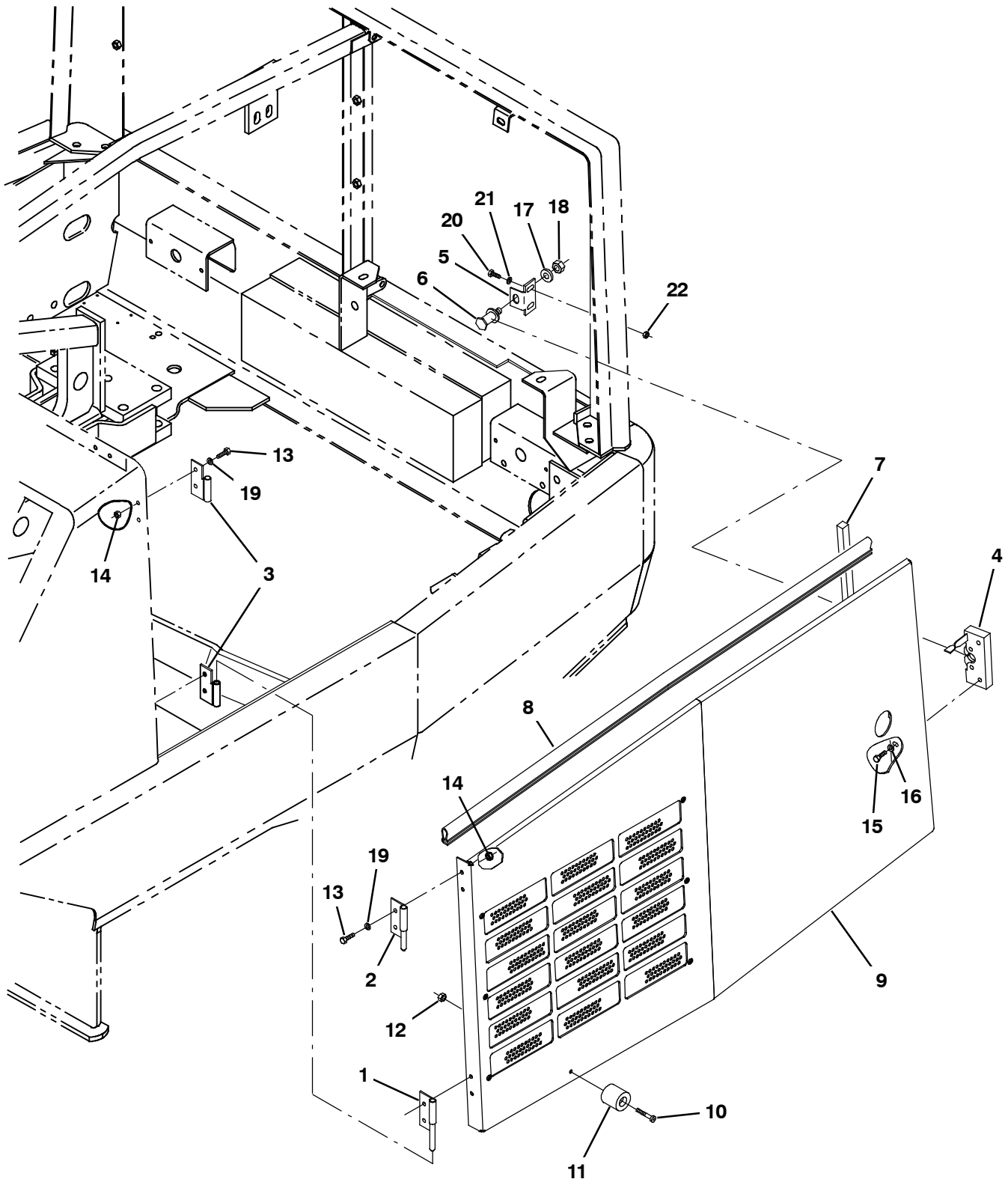


Fig. 9 - Main Frame Engine Side Door Group (007000-)

Ref.	Part No.	Serial Number	Description	Qty.	
1	64543	(007000-) Hinge, W/Pin	1	
2	70628	(007000-) Hinge, W/Pin	1	
3	64545	(007000-) Hinge	2	
4	58489	(007000-) Latch, Hook Rh	1	
5	70407	(007000-) Angle, Bolt, Latch	1	
6	59192	(007000-) Latch, Bolt	1	
7	53461-2	(007000-) Seal,Foam Rbr, .62 .62W 24.5L	1	
8	57820	(007000-) Seal, 48.0 Lg.	1	
▽	9	1046389	(007000-) Door Assy [800/810 08]	1
▲		9004327	(007000-) Screen Kit, Door, Side, Modif	1
10	09258	(007000-) Screw, Pan, M 6 X 1.0 X 40, 4.8	1	
11	44851	(007000-) Bumper, Rbr, 1.5d 1.50 0.28h	1	
12	08708	(007000-) Nut, Hex, Lock, M06 X 1.0, NI	1	
13	06943	(007000-) Screw, Hex, M6 X 1.0 X 20, 8.8	8	
14	07790	(007000-) Nut, Hex, Flng, M6 X 1.00	8	
15	34323	(007000-) Screw, Hex, .25-20 X 0.75, NI	2	
16	32490	(007000-) Washer, Flat, 0.25, Std	2	
17	32493	(007000-) Washer, Flat, 0.50, Std	1	
18	39313	(007000-) Nut, Hex, Std, M12 X 1.75	1	
19	41185	(007000-) Washer, Flat, Belleville, .25	8	
20	16931	(007000-) Screw, Hex, M8 X 1.25 X 20, 8.8	2	
21	32491	(007000-) Washer, Flat, 0.31, Std	2	
22	39311	(007000-) Nut, Hex, Std, M8 X 1.25	2	

Fig. 10 - Hydraulic Cooler, Filter and Rear Door Group

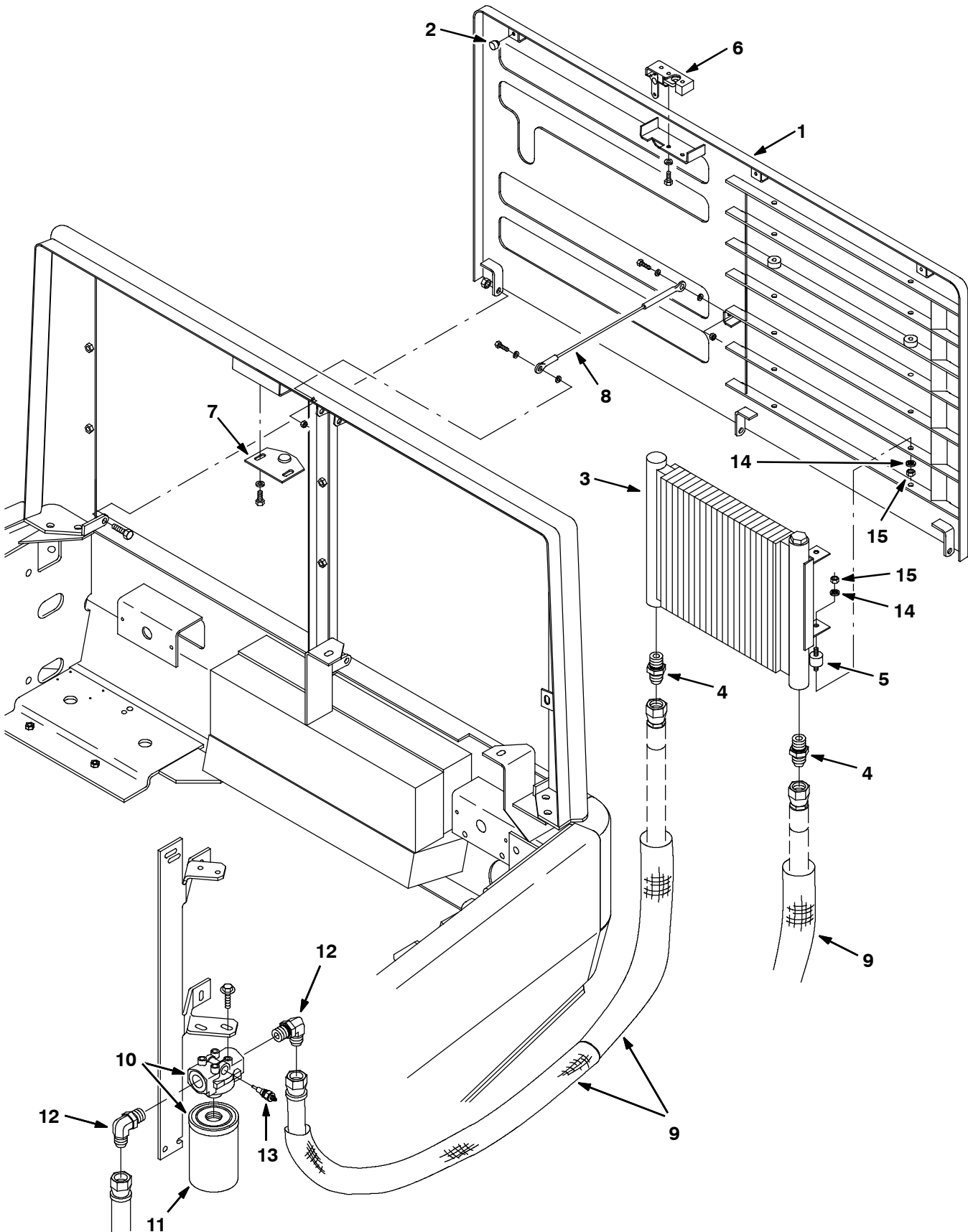


Fig. 10 - Hydraulic Cooler, Filter and Rear Door Group

Ref.	Part No.	Serial Number	Description	Qty.
1	48006	(004000-) Door Wldt, Rear	1
2	51787	(004000-) Bumper, Rubber	3
3	64419	(004000-) Cooler-Hyd	1
4	42260	(004000-) Ftg-Hyd Str Jm12/Om12	2
5	51322	(004000-) Isolator-Vibration .31-18	4
6	59661	(004000-) Latch	1
7	65252	(004000-) Plate, Striker	1
8	36192	(004000-) Lanyard Assy.	1
9	82830	(004000-) Sleeve, Nyl 16.0 L	3
▽	10	10664	(004000-) Filter Assy, Spin-on	1
▲	11	65221	(004000-) Filter Element	1
	12	46481	(004000-) Ftg-Hyd E90 Jm12/om12	2
	13	65222	(004000-) Sender, Filter, Hydraulic	1
	14	32984	(004000-) Washer, Lock, Int, 0.31	4
	15	19313	(004000-) Nut, Hex, Std, .31-18	4

Fig. 11 - Hopper Lift Arms Group

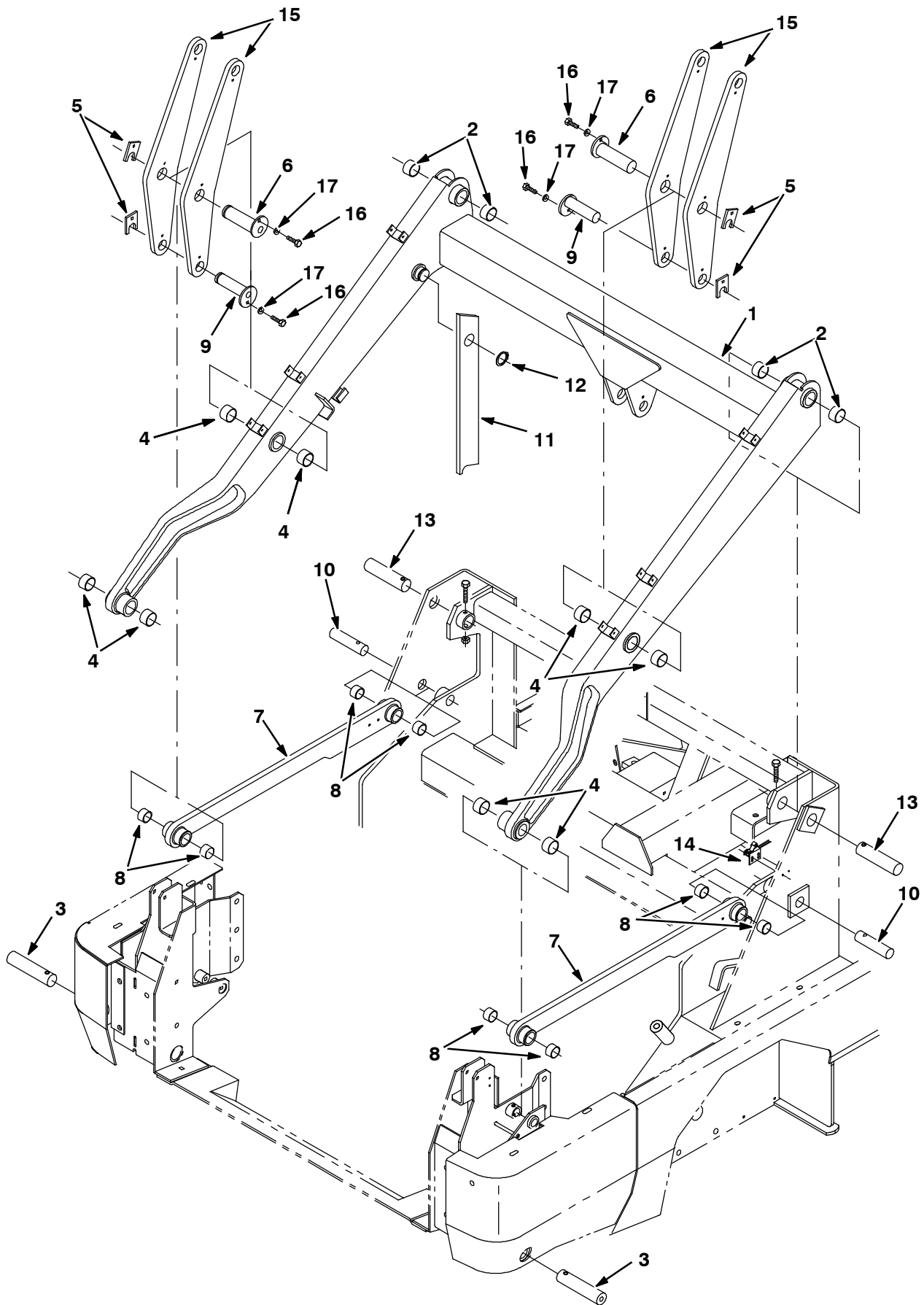


Fig. 11 - Hopper Lift Arms Group

Ref.	Part No.	Serial Number	Description	Qty.
1	75861	(004000-) Arm Wldt, Hopper Lift w label	1
2	58293	(004000-) Bearng-Journal	4
3	77463	(004000-) Pin, 1.500 0Dx7.81, Drilled	2
4	58293	(004000-) Bearng-Journal	8
5	83554	(004000-) Plate, Pin Retainer	4
6	83551	(004000-) Pin Weldt.	2
7	1053518	(004000-) Arm, Lift, Hppr, Lower	2
8	57936	(004000-) Bearing-Journal	2
9	83553	(004000-) Pin Weldt.	2
10	76470	(004000-) Pin	2
11	380681	(004000-) Arm, Safety W/Label	1
12	63926	(004000-) Ring, Retaining, Ex 1.5 Dia Hd	1
13	76471	(004000-) Pin	2
14	59965	(004000-) Switch, Roller	1
15	83549	(004000-) Plate, Link	4
16	10959	(004000-) Screw, Hex, M10 X 1.5 X 20, Ss, NI	4
17	32492	(004000-) Washer, Flat, 0.38 Std	4

Fig. 12 - Hopper Lift Cylinders Group

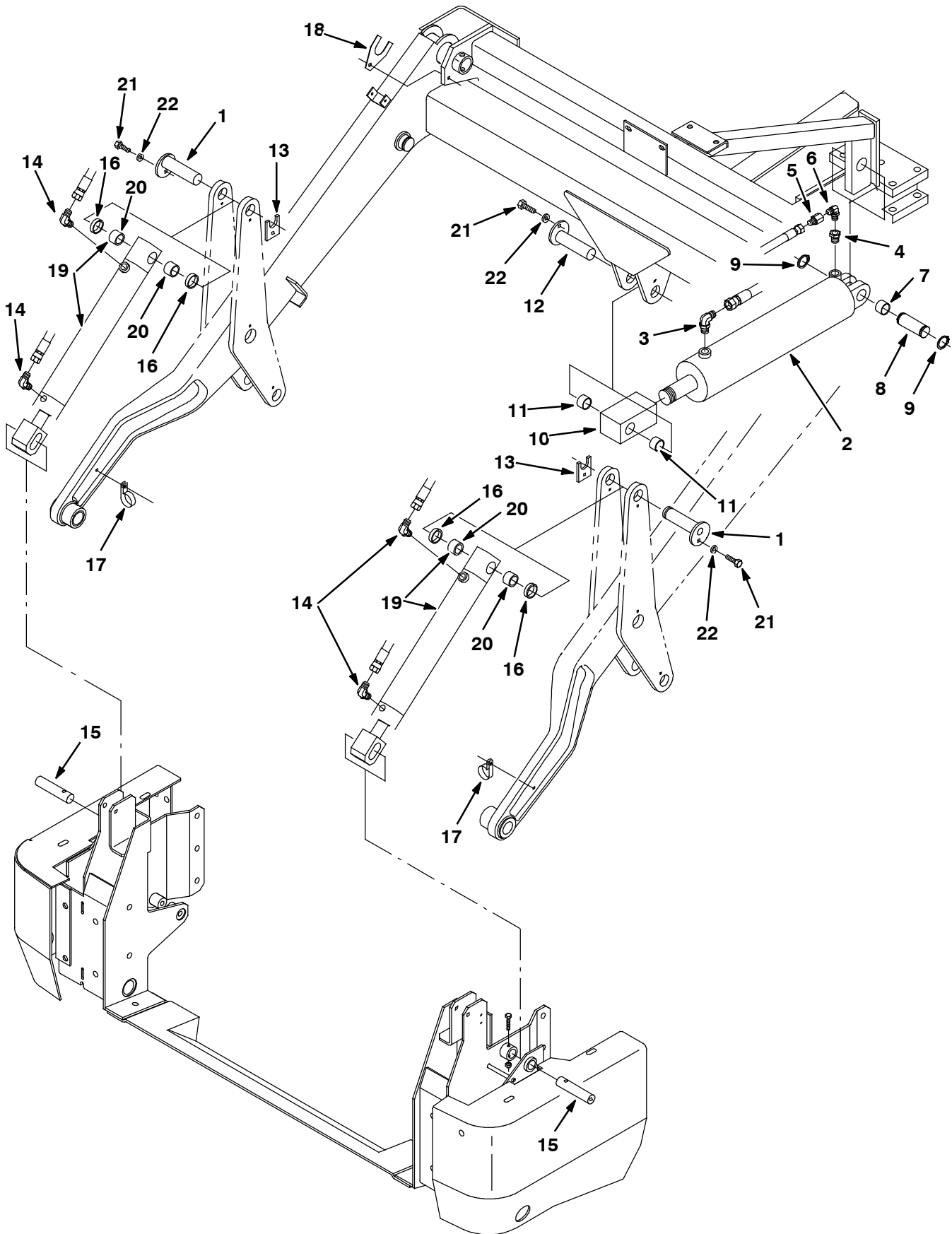


Fig. 12 - Hopper Lift Cylinders Group

Ref.	Part No.	Serial Number	Description	Qty.
1	83553	(004000-) Pin Wldt.	2
2	1026719	(004000-) Cylinder, Hyd, 4.0b 29.1l 14.50strk 2500 (See Breakdowns)	1
3	47512	(004000-) Ftg-Hyd E90 Jm06/Om08	1
4	55686	(004000-) Ftg-Hyd Str Jm04/Om08	1
5	16456	(004000-) Ftg-Hyd Rst Jm04/.063	1
6	39210	(004000-) Ftg-Hyd E90 Jm04/Jf04	1
7	59866	(004000-) Bearing, Journal	1
8	63583	(004000-) Pin, 1.25 Odx 3.50, Grooved	1
9	58359	(004000-) Retaining Ring-External, 1.25D	2
10	64156	(004000-) Bar, Cylinder End	1
11	57936	(004000-) Bearing-Journal	2
12	83553	(004000-) Pin, 1.250 Od X 4.50	1
13	83554	(004000-) Plate, Pin Retainer	2
14	47638	(004000-) Ftg-Hyd E90 Jm04/Om06	4
15	63584	(004000-) Pin, 1.00 Odx 4.50, Drilled	2
16	83555	(004000-) Spacer	4
17	67767	(004000-) Clamp-Cable,.69Dia. 62Wth	2
18	75891	(004000-) Plate, Spacer	2
▽	19	1042110	(004000-) Cylinder, Hyd, 2.0b 23.8l 14.90strk 2500	2
▲	20	57936	(004000-) Bearing-Journal	2
21	10959	(004000-) Screw, Hex, M10 X 1.5 X 20, Ss, NI	3
22	32492	(004000-) Washer, Flat, 0.38 Std	3

Fig. 13 - Hopper Group

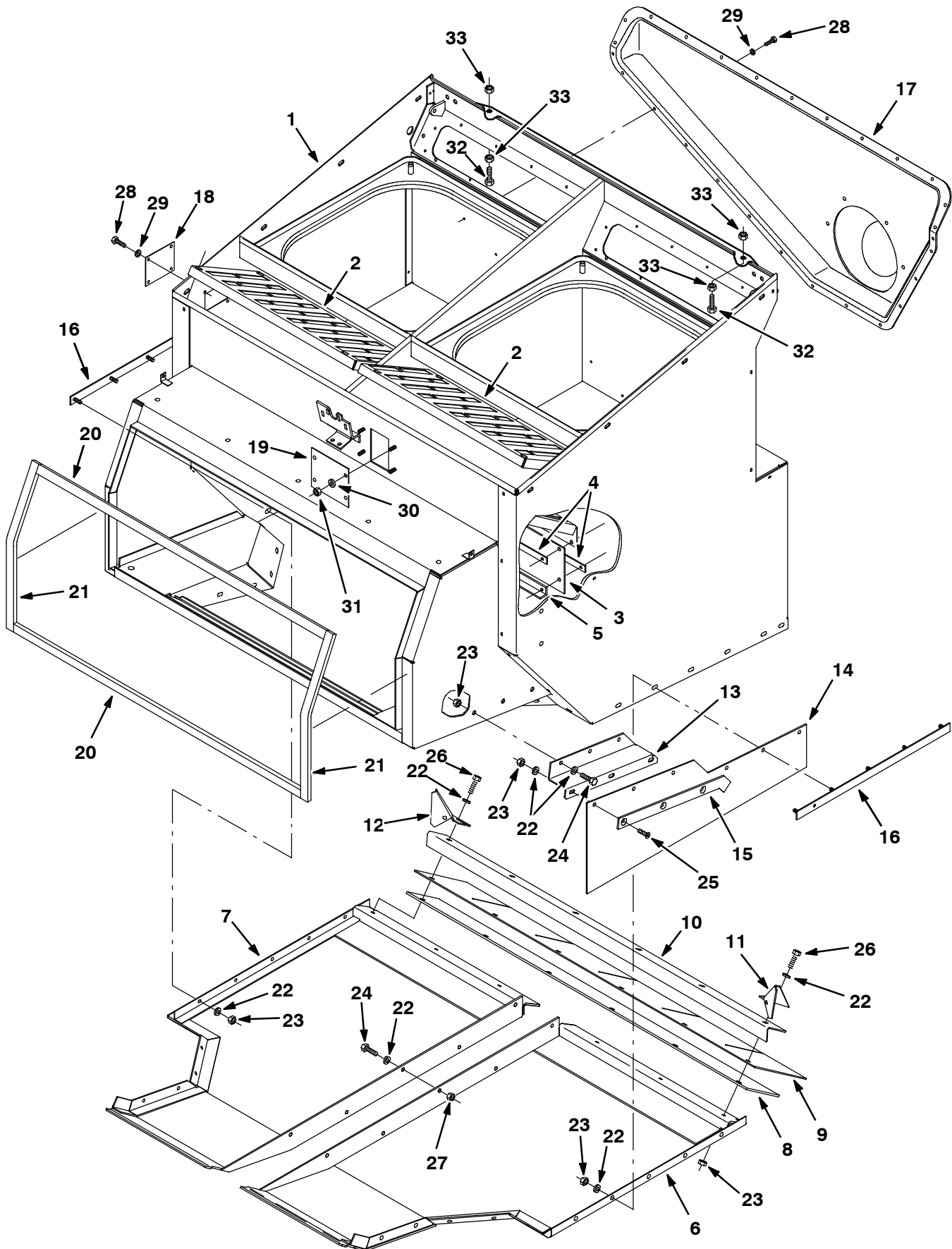


Fig. 13 - Hopper Group

Ref.	Part No.	Serial Number	Description	Qty.
1	76487	(004000-) Hopper Wldt	1
2	63665	(004000-) Panel, Permafilter, Upper	2
3	63667	(004000-) Seal, Dust	1
4	63668	(004000-) Bar, Retainer, Dust Seal	2
5	63669	(004000-) Angle, Dust Seal	1
6	76474	(004000-) Panel, Hopper, Bottom, Lh	1
7	76384	(004000-) Panel, Bottom, Hopper, Rh	1
8	73678	(004000-) Skirt, Lip	1
9	73679	(004000-) Skirt, Lip	1
10	63647	(004000-) Angle, Retainer, Lip	1
11	74046	(004000-) Panel, Deflector, Dirt, Rh	1
12	74045	(004000-) Panel, Deflector, Dirt, Lh	1
13	73772	(004000-) Bracket, Mtg, Skirt	1
14	73771	(004000-) Skirt, Deflector	1
15	73749	(004000-) Strip, Retainer, Skirt, Front	1
16	79139	(004000-) Strip, Hopper	2
17	70388	(004000-) Duct, Inlet, Vac Fan	1
18	74069	(004000-) Plate, Cover	1
19	73887	(004000-) Plate, Cover	1
20	79597	(004000-) Seal, Foam, Urethane Covered	2
21	79600	(004000-) Seal, Foam, Urethane Covered	2
22	01685	(004000-) Washer, Flat, 0.38b 0.88d .08, Ss	27
23	08713	(004000-) Nut, Hex, Lock, M8 X 1.25, NI, Ss	22
24	09740	(004000-) Screw, Hex, M8 X 1.25 X 20, Ss	18
25	79506	(004000-) Screw, Flt, M8 X 1.25 X 30, Ss	3
26	09011	(004000-) Screw, Hex, M8 X 1.25 X 30, Ss	6
27	07791	(004000-) Nut, Hex, Flng, M8 X 1.25	15
28	74455	(004000-) Screw, Hex, M6 X 1.0 X 12, Fmg	33
29	19066	(004000-) Washer, Flat, #10	33
30	39349	(004000-) Washer, Flat, 0.31, Sae	4
31	08709	(004000-) Nut, Hex, Lock, M8 X 1.25, NI	4
32	06972	(004000-) Screw, Hex, M12 X 1.75 X 60, 8.8	2
33	39313	(004000-) Nut, Hex, Std, M12 X 1.75	4

Fig. 14 - Hopper Door Group

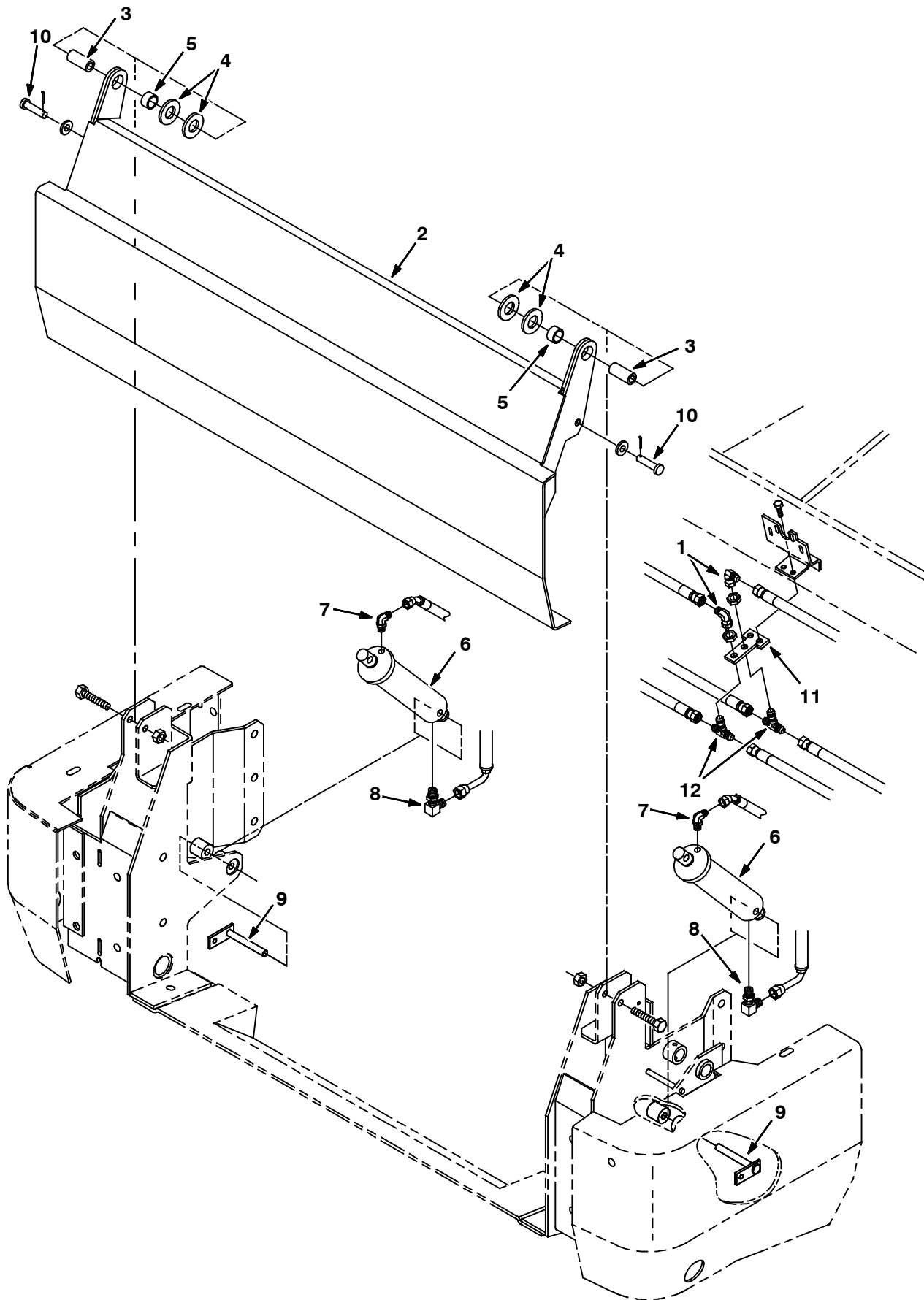


Fig. 14 - Hopper Door Group

Ref.	Part No.	Serial Number	Description	Qty.
1	39210	(004000-) Ftg-Hyd E90 Jm04/Jf04	2
2	83618	(004000-) Door Wldt, Hopper	1
3	79138	(004000-) Sleeve, Pivot, Door	2
4	79596	(004000-) Washer, 1.015B 1.75D .11Hrs	4
5	35688	(004000-) Bearing, Journal	2
6	1041090	(004000-) Cylinder, Hyd, 2.0b 12.0l 08.00strk 2500	2
7	82825	(004000-) Ftg-Hyd E90 Jm04/Om04	2
8	77097	(004000-) Ftg-Hyd E90 Jm04/Om04	2
9	64893	(004000-) Pin	2
10	21722	(004000-) Pin, Clevis .50 Dia X 2.25 Lg	2
11	75012	(004000-) Bracket, Mtg, Ftg	1
12	34392	(004000-) Ftg-Hyd Tee Jm04Jmjm	2

Fig. 15 - Hopper Cover Group

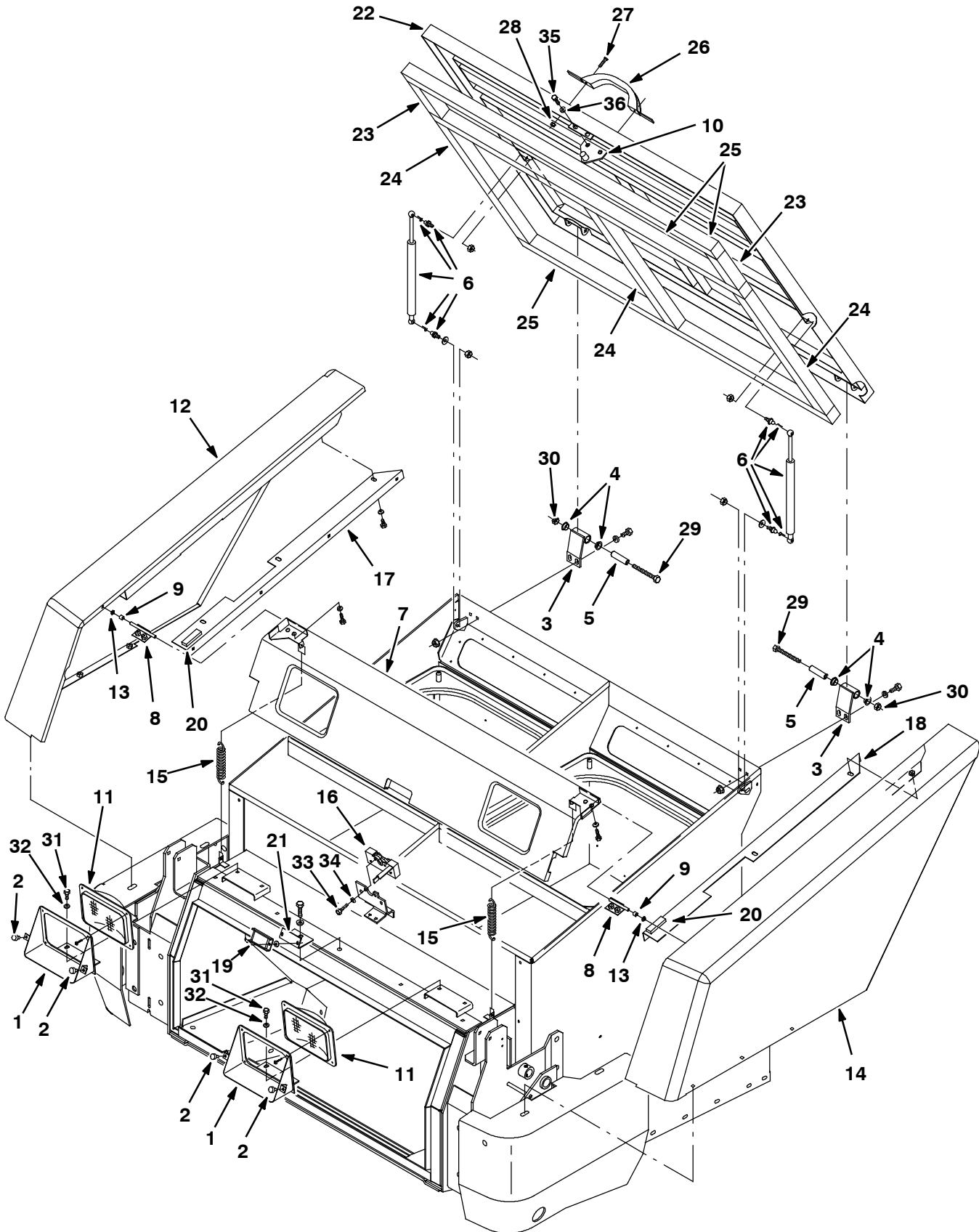


Fig. 15 - Hopper Cover Group

Ref.	Part No.	Serial Number	Description	Qty.	
1	77388	(004000-) Bracket, Mounting, Headlamp	2	
2	51787	(004000-) Bumper, Rubber	4	
3	70762	(004000-) Hinge	2	
4	04843	(004000-) Bearing, Flange .625 Bore	4	
5	70761	(004000-) Tube, 0.62D .44B 2.44, Stl	2	
6	69906	(004000-) Spring-Gas, Engine Cover	2	
7	77394	(004000-) Panel, Headlight	1	
8	70730	(004000-) Hinge	2	
9	74015	(004000-) Sleeve, .320B .32D .49 Lc Stl	2	
10	70742	(004000-) Pin Wldt, Latch	1	
11	58524	(004000-) Headlight, 12V.Rect.	2	
12	65278	(004000-) Panel Wldt, Fender, Rh	1	
13	11747	(004000-) Bearing, Nylon	2	
14	65281	(004000-) Panel Wldt, Fender, Lh	1	
15	01274	(004000-) Sprng,Tens,0.965Odx.09Wire4.4L	2	
16	79019	(004000-) Latch, Hook, Rh, Single Catch	1	
17	75047	(004000-) Bracket, Rh	1	
18	75046	(004000-) Bracket, Lh	1	
19	63378	(004000-) Magnet, Drive Brush	1	
20	79591	(004000-) Bumper, Cover, Hopper	2	
21	77400	(004000-) Angle, Mount	1	
▽	22	21221	(004000-) Cover Assy, Hopper	1
▲	23	375564	(004000-) Seal, Urethane Covered Foam	2
▲	24	375565	(004000-) Seal, Urethane Covered Foam	3
▲	25	375566	(004000-) Seal, Urethane Covered Foam	3
▲	26	381962	(004625-) Handle, Container	1
▲	27	382726	(004625-) Screw, Pan, m06	2
▲	28	08708	(004625-) Nut, Hex Lock m06	2
	29	03193	(004000-) Screw, Hex, M10 X 1.5 X 90, 8.8	2
	30	41430	(004000-) Nut, Hex, Lock, M10 X 1.5, NI	2
	31	16931	(004000-) Screw, Hex, M8 X 1.25 X 20, 8.8	4
	32	32491	(004000-) Washer, Flat, 0.31 Std	4
	33	12274	(004000-) Screw, Hex, M6 X 1.0 X 20, 8.8, NI	4
	34	19066	(004000-) Washer, Flat, #10	4
	35	16735	(004000-) Screw, Hex, M8 X 1.25 X 16, 8.8	2
	36	41186	(004000-) Washer, Belleville, .31	2

Fig. 16 - Hopper Bumper Group

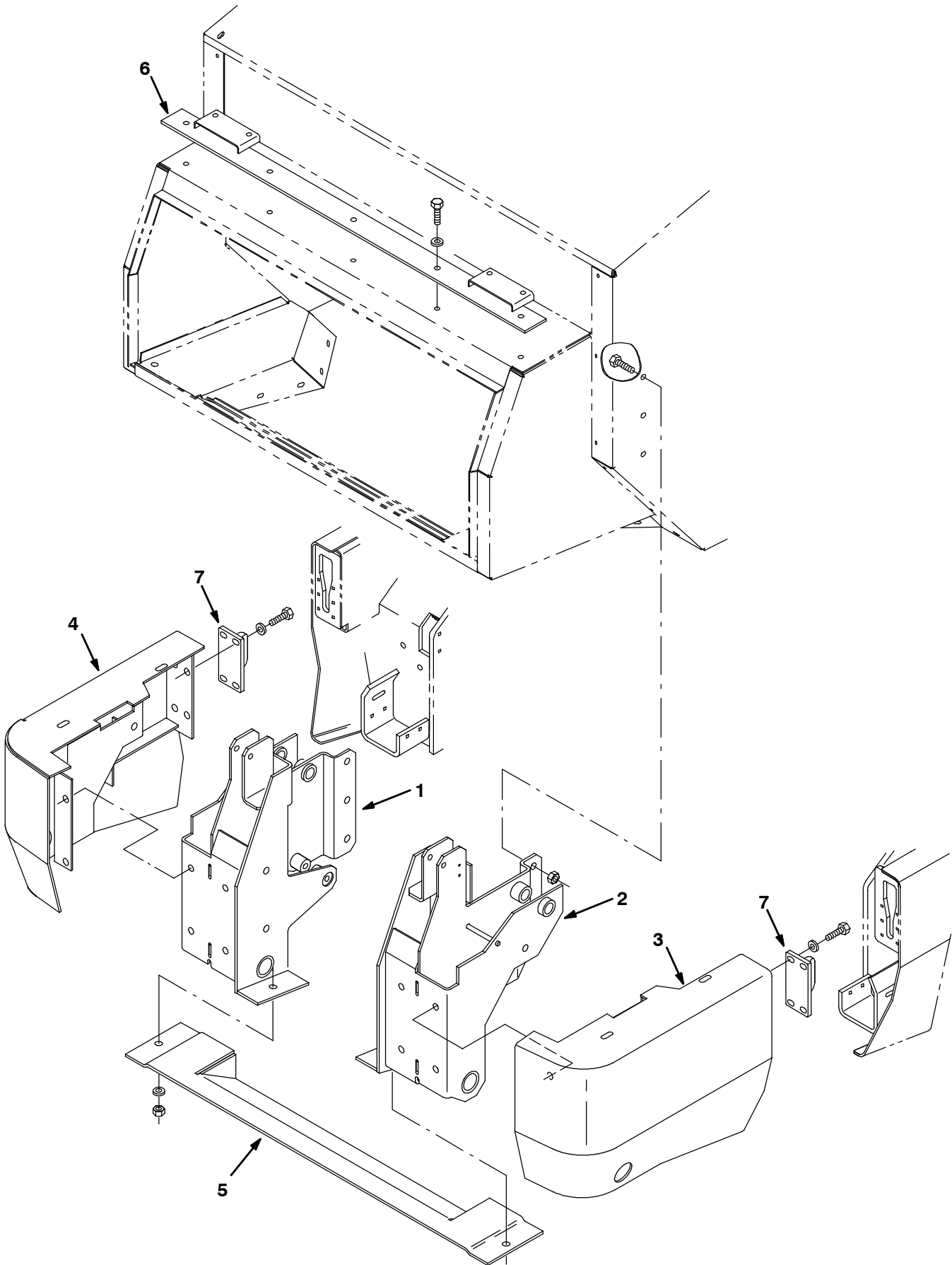


Fig. 16 - Hopper Bumper Group

Ref.	Part No.	Serial Number	Description	Qty.
1	83547	(004000-) Bumper Wldt, Sppt, Hopper, Rh	1
2	83548	(004000-) Support Wldt, Sppt, Hopper Lh	1
3	83620	(004000-) Bumper Wldt, Lh	1
4	83622	(004000-) Bumper Wldt, Rh	1
5	77523	(004000-) Guard Wldt, Hopper	1
6	77516	(004000-) Bracket Wldt, Mtg, Headlight	1
7	63671	(004000-) Latch, Bumper	2

Fig. 17 - Hopper Filter Shaker Group

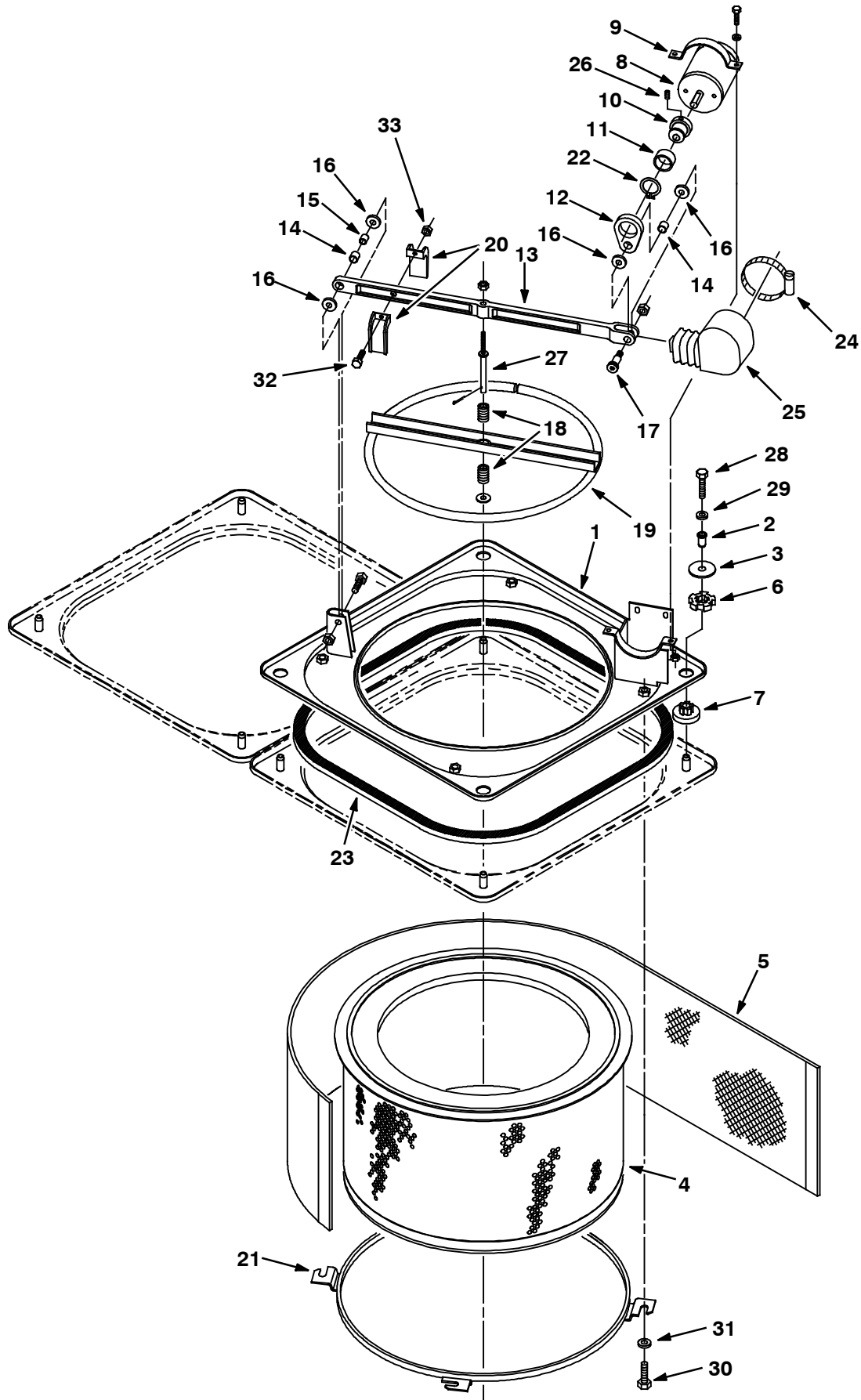


Fig. 17 - Hopper Filter Shaker Group

Ref.	Part No.	Serial Number	Description	Qty.	
1	64580	(004000-) Panel Wldt, Shaker	2	
2	64874	(004000-) Ferrule	8	
3	64873	(004000-) Disc	8	
4	48069	(004000-) Filter Assy, Fine, Hopper (option)	2	
▽	4	63297	(004000-) Filter Assy, (standard)	2
▲	5	63311	(004000-) Screen, Filter	1
6	64618	(004000-) Ring, Isolator, Outer, Rbr	8	
7	64621	(004000-) Bushing, Isolator	8	
8	31999	(004000-) Motor, Electric, 13.6 Vdc	2	
9	64559	(004000-) Clamp, Mtg, Motor, Upper	2	
10	64567	(004000-) Shaft, Eccentric	2	
11	32006	(004000-) Bearing	2	
12	64394	(004000-) Link, Eccentric	2	
▽	13	77471	(004000-) Shaker Bar Replacement Kit	2
▲	14	63233	(004000-) Bearing, Fiberglide .50 X .50	2
▲	15	63234	(004000-) Sleeve, Bearing	1
▲	16	59633	(004000-) Bearing, Thrust - Fiberglide	4
▲	17	58357	(004000-) Shoulder Screw	2
18	64392	(004000-) Spring	4	
19	64501	(004000-) Ring Wldt, Shaker	2	
20	64410	(004000-) Guide	4	
21	64500	(004000-) Ring Wldt, Mtg, Filter	2	
22	70651	(004000-) Ring, Retaining, Ext 1.12	2	
23	21303	(004000-) Seal Kit, Shaker Panel	2	
24	43555	(004000-) Clamp-Wormdrive, 1.62- 3.50D	2	
25	73734	(004000-) Seal, Dust	2	
26	70650	(004000-) Set Screw	2	
27	32009	(004000-) Bar, Shaker Stem	2	
28	39284	(004000-) Screw, Hex, M10 X 1.5 X 35, 8.8	8	
29	32492	(004000-) Washer, Flat, 0.38 Std	8	
30	09028	(004000-) Screw, Hex, M10 X 1.5 X 25, Ss	8	
31	01686	(004000-) Washer, Flat, 0.44b 1.00 .08, Ss	8	
32	09164	(004000-) Screw, Pan, M6 X 1.0 X 20, 4.8	2	
33	08708	(004000-) Nut, Hex, Lock, M6 X 1.0, NI	2	

Fig. 18 - Hopper Pressure Switch Group

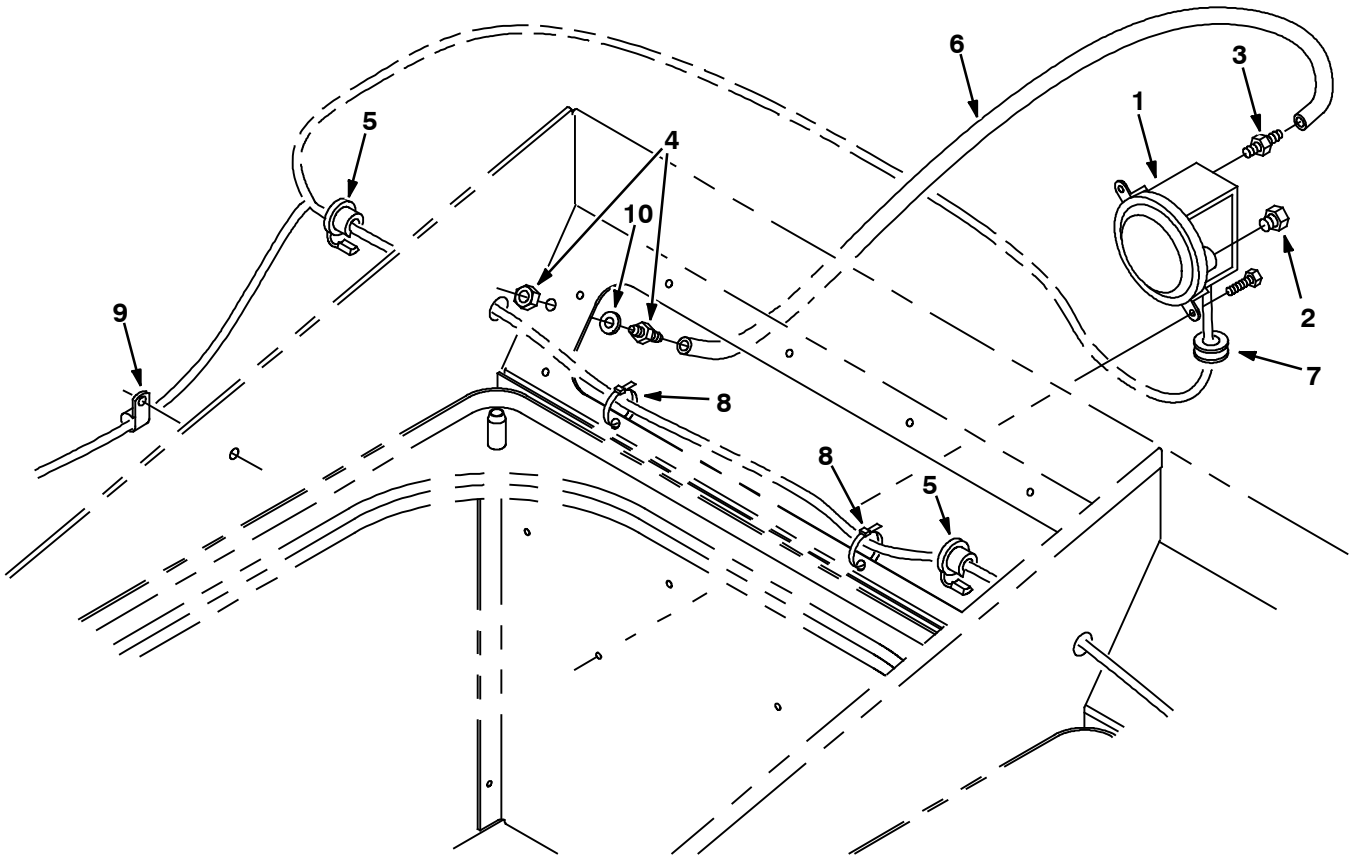


Fig. 18 - Hopper Pressure Switch Group

Ref.	Part No.	Serial Number	Description	Qty.
1	75465	(004000-) Switch, Pressure	1
2	82739	(004000-) Ftg, Breather	1
3	40607	(004000-) Ftg-Brs Str Bm03/Pm02	1
4	39923	(004000-) Ftg,Bulkhead-Barb Wh 1074X4	1
5	34864	(004000-) Strain,Relief	2
6	73727	(004000-) Hose, Vac, Rubber	1
7	10632-4	(004000-) Grommet,Rbr,0.62ld,For .06Matl	1
8	49266	(004000-) Tie, Cable 1.75D Max 7.50Lg	8
9	40678	(004000-) Clamp, Cable, Stl, 0.44d X 0.62w, 1h	2
10	43454	(004000-) Washer	1

Fig. 19 - Engine and Mount Group (004000-006008)

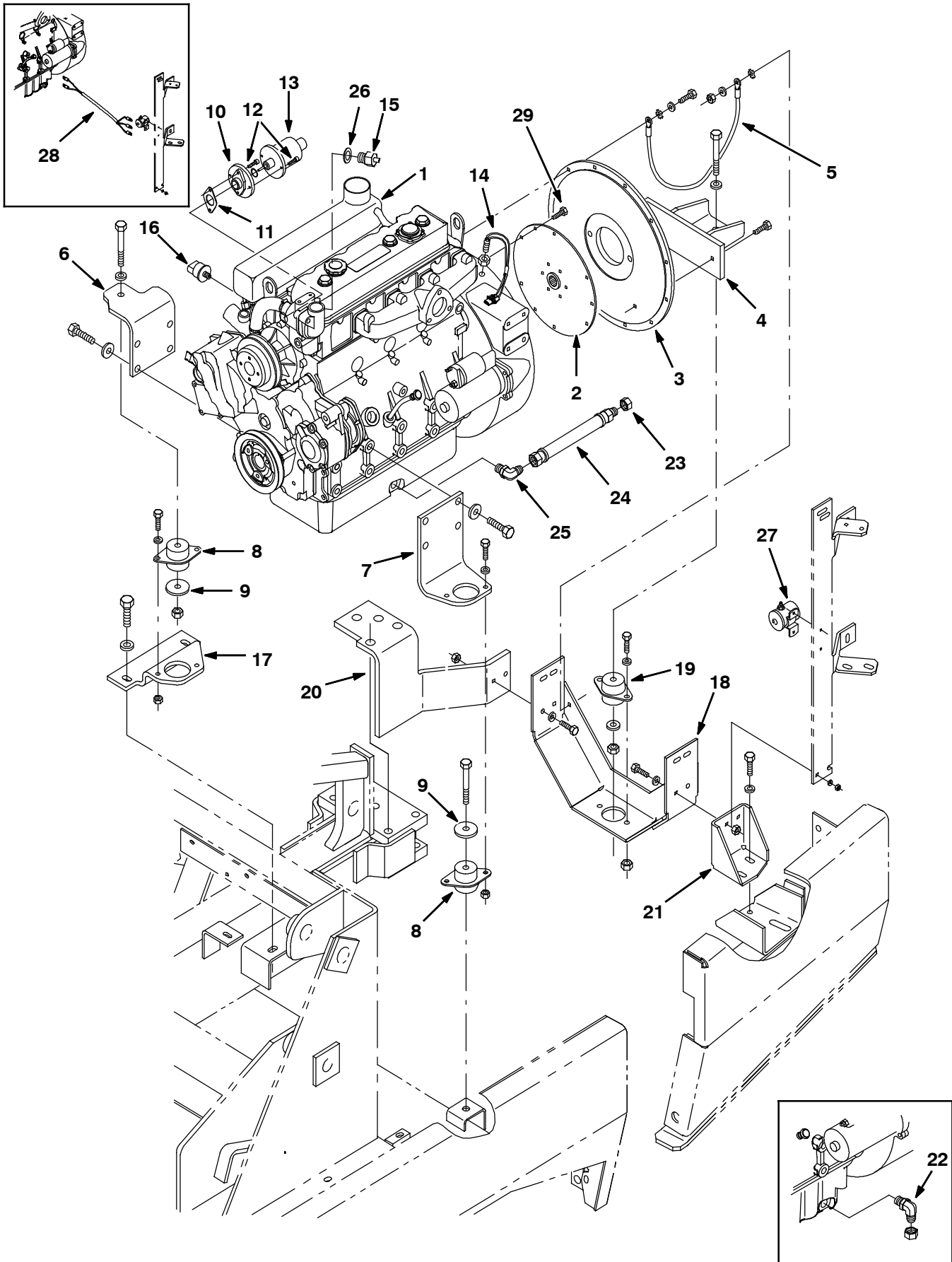


Fig. 19 - Engine and Mount Group (004000-006008)

Ref.	Part No.	Serial Number	Description	Qty.
1	380505	(004000-006008)	Engine Assy, Die (See Perkins Engine Breakdown)	1
2	35980	(004000-006008)	Coupling Flywheel	1
3	380520	(004000-006008)	Housing, Flywheel, Mach 704 Pk	1
4	380507	(004000-006008)	Bracket Wldt, Mtg, Engine Rear	1
5	57773	(004000-006008)	Wire Ass'y-Elect.,Ground	1
6	380511	(004000-006008)	Bracket, Mtg, Engine Front Rh	1
7	380538	(004000-006008)	Bracket, Mtg, Engine Front Lh	1
8	75768	(004000-006008)	Isolator	2
9	57048	(004000-006008)	Washer, .532B 2.13D .11Hr.Znc	2
10	71384	(004000-006008)	Adaptor, Governor	1
11	70165	(004000-006008)	Gasket, Throttle Blk	1
12	71388	(004000-006008)	Scr Soc M 6X1.0	4
13	71385	(004000-006008)	Governor, Diesel	1
14	380521	(004000-006008)	Magnet Assy, Pick-Up	1
15	380554	(004000-006008)	Send Unit, Temp Water .62Unf	1
16	1055106	(004000-006008)	Switch, Press, 0006psi Dpdt	1
17	380530	(004000-006008)	Bracket, Mtg, Engine Front Rh	1
18	77430	(004000-006008)	Bracket, Mounting, Eng, Rear	1
19	63695	(004000-006008)	Isolator, Mounting	1
20	77435	(004000-006008)	Bracket, Mounting, Eng Rear Rh	1
21	77434	(004000-006008)	Bracket, Mounting, Eng,Rear Lh	1
22	42226	(004000- xxxxxx)	Ftg-Hyd E45 Jm08/Om08	1
23	60090	(004000-006008)	Ftg-Hyd Cap Jf08 (See Perkins Engine Breakdown)	1
24	374151	(xxxxxx-006008)	Hose, Flex (See Perkins Engine Breakdown)	1
25	371602	(xxxxxx-006008)	Fitting, Pipe, E90, .75-16 (See Perkins Engine Breakdown)	1
26	764835	(004000-006008)	Washer	1
27	375117	(004000-006008)	Solenoid	1
28	380752	(004000- xxxxxx)	Harness	1
29	375193	(004000-006008)	Screw, Hex, M 8 X 1.00 X 16, 10.9	6

STANDARD PARTS

Fig. 20 - Engine and Mount Group (006009-)

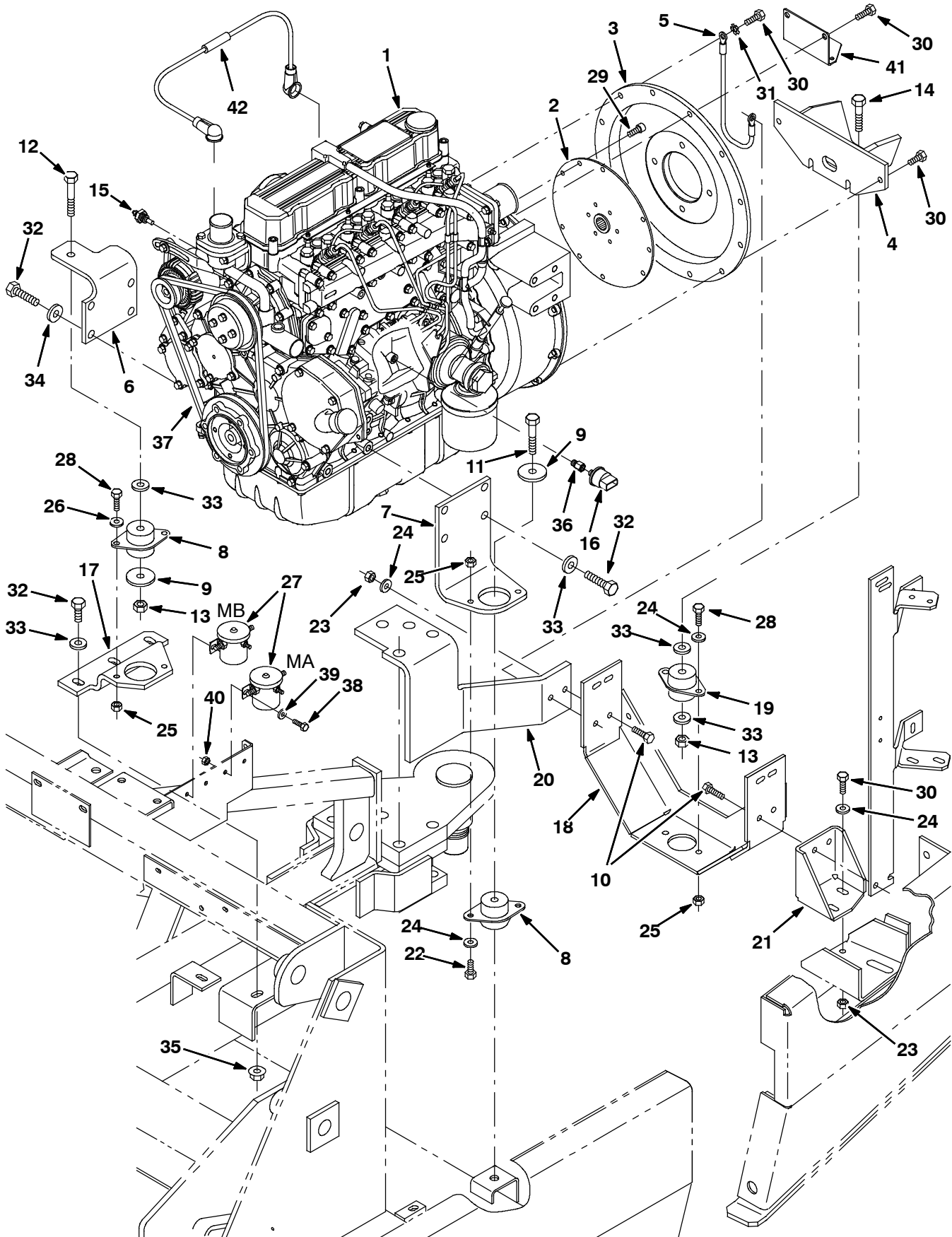


Fig. 20 - Engine and Mount Group (006009-)

Ref.	Part No.	Serial Number	Description	Qty.
1	1011676	(006009-007320)	Engine Assy, Dsl (See CAT Engine Breakdown)	1
1	1040607	(007321-)	Engine, Dsl, 63Hp [CAT 3.4 2008]	1
2	35980	(006009-)	Coupling Flywheel	1
3	380520	(006009-)	Housing, Flywheel, Mach 704 Pk	1
4	380507	(006009-)	Bracket Wldt, Mtg, Engine Rear	1
5	57773	(006009-)	Wire Ass'y-Elect.,Ground	1
6	1010360	(006009-)	Bracket, Mtg, Eng, Front, Rh	1
7	1010361	(006009-)	Bracket, Eng	1
8	75768	(006009-)	Isolator	2
9	57048	(006009-)	Washer, Flat, 0.53b 2.13d .11, Stl, PI	2
10	39284	(006009-)	Screw, Hex, M10 X 1.5 X 35, 8.8	4
11	06973	(006009-)	Screw, Hex, M12 X 1.75 X 70, 8.8	1
12	06974	(006009-)	Screw, Hex, M12 X 1.75 X 80, 8.8	1
13	08711	(006009-)	Nut, Hex, Lock, M12 X 1.75, NI	2
14	06972	(006009-)	Screw, Hex, M12 X 1.75 X 60, 8.8	1
15	33875	(006009-)	Send-Unit, Water, Temp, M16x1.5 113o/195	1
16	1055106	(006009-)	Switch, Press, 0006psi Dpdt	1
17	380530	(006009-)	Bracket, Mtg, Engine Front Rh	1
18	77430	(006009-)	Bracket, Mounting, Eng, Rear	1
19	63695	(006009-)	Isolator, Mounting	1
20	77435	(006009-)	Bracket, Mounting, Eng Rear Rh	1
21	77434	(006009-)	Bracket, Mounting, Eng,Rear Lh	1
22	21197	(006009-)	Screw, Hex, .38-16 X 1.00, 5	2
23	41430	(006009-)	Nut, Hex, Lock, M10 X 1.5, NI	4
24	32492	(006009-)	Washer, Flat, 0.38 Std	8
25	50902	(006009-)	Nut, Hex, Lock, .38-16, NI	6
26	32491	(006009-)	Washer, Flat, 0.31 Std	2
27	375117	(006009-)	Relay, 12vdc, 100a, Spdt N/O [Camdec]	2
28	21198	(006009-)	Screw, Hex, .38-16 X 1.25, 5	4
29	39309	(006009-)	Screw, Soc, M10 X 1.5 X 25, 12.9	6
30	03192	(006009-)	Screw, Hex, M10 X 1.5 X 30, 8.8	14
31	41142	(006009-)	Washer, Lock, Int-Ext, .38	1
32	41346	(006009-)	Screw, Hex, M12 X 1.75 X 30, 8.8	10
33	32493	(006009-)	Washer, Flat, 0.50 Std	9
34	32486	(006009-)	Washer, Flat, 0.50 Sae	4
35	07793	(006009-)	Nut, Hex, Flng, M12 X 1.75	2
36	1011973	(006009-)	Fitting, Hyd, Str 02bsppm/Pf02	1
37	372653	(006009-)	Belt, Pump, Water	1
38	06943	(006009-)	Screw, Hex, M6 X 1.0 X 20, 8.8	4
39	32490	(006009-)	Washer, Flat, 0.25 Std	4
40	08708	(006009-)	Nut, Hex, Lock, M6 X 1.0, NI	4
41	1039548	(007079-)	Bracket, Mtg, Switch	1
42	1011701	(006009-)	Cable, 04ga 32.4l Red, W/150a Fuse	1

Fig. 21 - Engine Throttle Group (006009-)

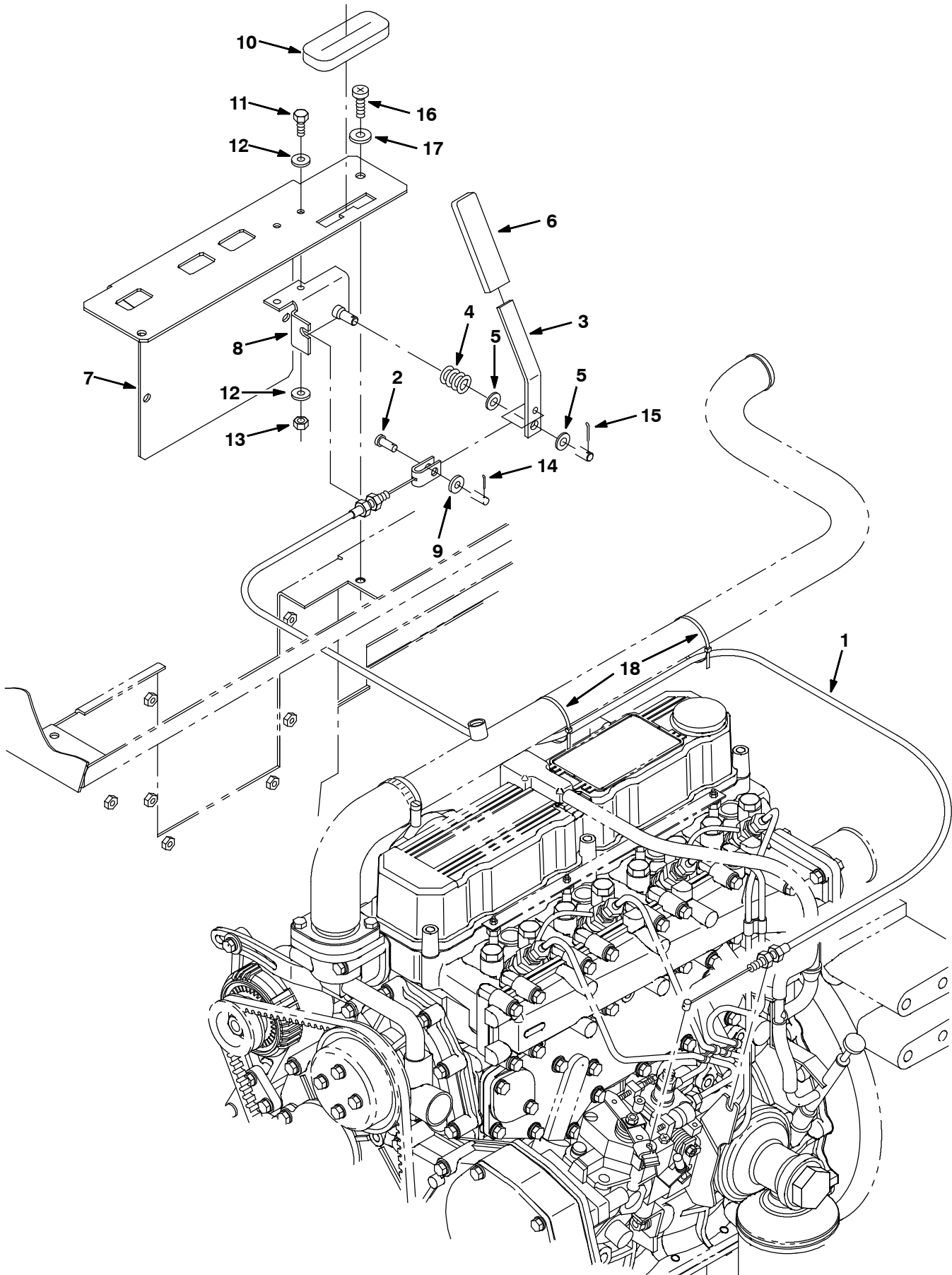


Fig. 21 - Engine Throttle Group (006009-)

Ref.	Part No.	Serial Number	Description	Qty.
1	73799	(006009-) Cable, Pull, 70.5l, .3clevis/.23ball	1
2	14605	(006009-) Pin, Clevis, 0.25 D X 0.75l	1
3	70752	(006009-) Handle, Throttle, Dsl	1
4	69495	(006009-) Spring, Cmpr, 18.3d, 2.0w, 16.5l Mw Zn	1
5	43611	(006009-) Washer, Flat, 0.39b 0.75d .06, Nyl	2
6	87246	(006009-) Grip, Vyl, .18 X .75 X 4.00	1
7	1013318	(006009-) Panel, Instmt, Brush Cntrl	1
8	77693	(006009-) Plate Wldt, Angle	1
9	32490	(006009-) Washer, Flat, 0.25 Std	1
10	77789	(006009-) Seal, Ure, 0.50th, 1.50w X 05.0l, Slit	1
11	06942	(006009-) Screw, Hex, M6 X 1.0 X 16, 8.8	2
12	19066	(006009-) Washer, Flat, #10	4
13	08708	(006009-) Nut, Hex, Lock, M6 X 1.0, NI	2
14	08178	(006009-) Pin, Cotter, .062 X 0.75	1
15	39005	(006009-) Pin, Cotter, .094 X 0.75	1
16	07810	(006009-) Screw, Flt, M8 X 1.25 X 25, 10.9	4
17	32491	(006009-) Washer, Flat, 0.31 Std	4
18	763116	(006009-) Tie, Cable, Nyl, 15.3l . W 4.5 Max D	2

Fig. 22 - Engine Alternator Group (004000-006008)

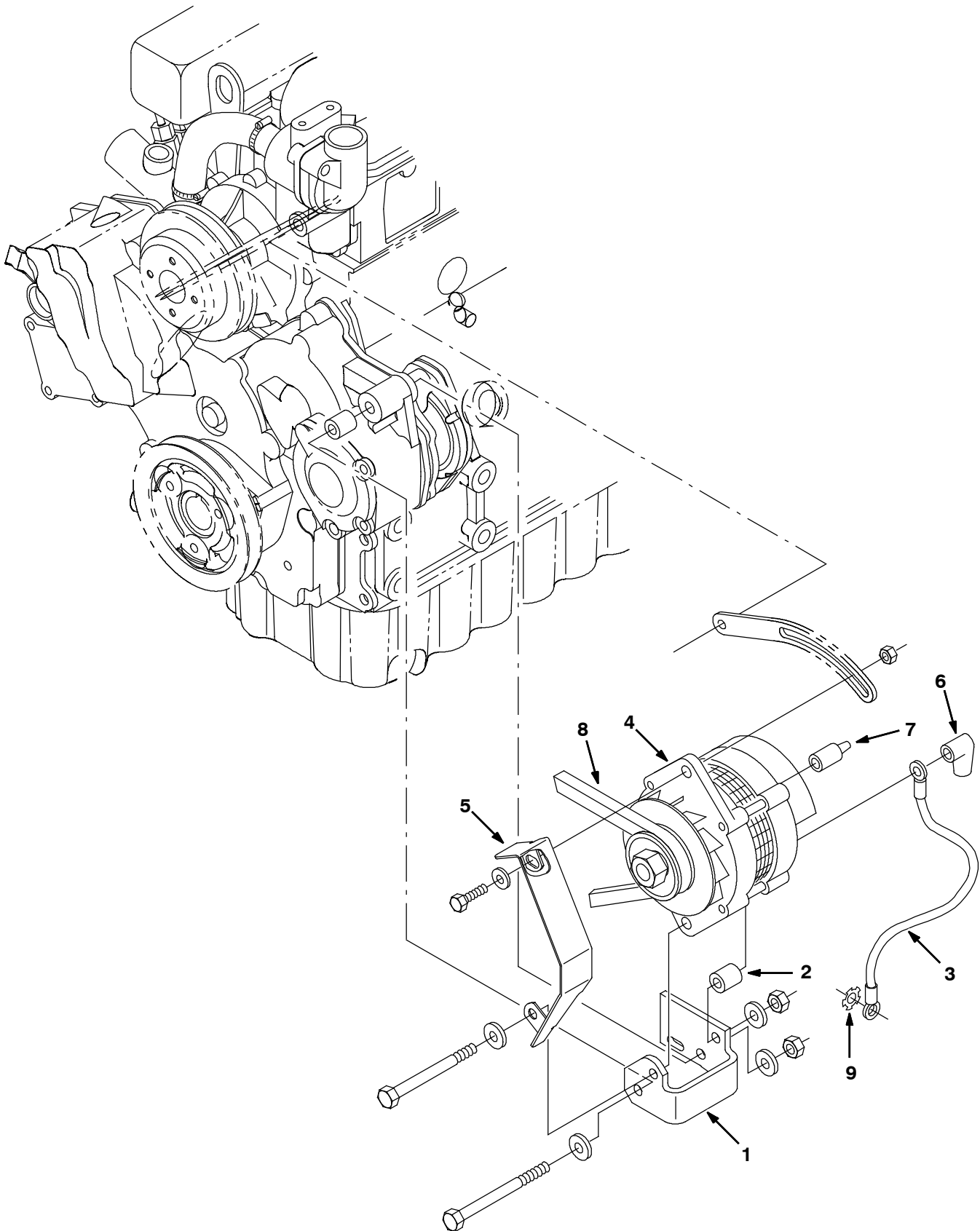


Fig. 22 - Engine Alternator Group (004000-006008)

Ref.	Part No.	Serial Number	Description	Qty.	
1	380512	(004000-006008)	Bracket, Mtg, Alternator Perki	1	
2	380542	(004000-006008)	Tube, 0.75D 0.38B 0.8L Stl Z	2	
3	82731	(004000-006008)	Wire-Ground, Alternator	1	
▽	4	60559	(004000-006008)	Alternator, 50A/12V Mando	1
▲	61931	(004000-006008)	Regulator	1	
▲	86041	(004000-006008)	Bearing,Ball.669B 1.575D .472W	1	
▲	61529	(004000-006008)	Brush Kit	1	
▲	61531	(004000-006008)	Rectifier	1	
▲	70160	(004000-006008)	Pulley, Alternator	1	
5	83581	(004000-006008)	Guard, Alternator	1	
6	34065	(004000-006008)	Boot, Electric (Altern	3	
7	61363	(004000-006008)	Boot, Str .42ld .12H .25L	2	
8	78772	(004000-006008)	V-Belt, Hc38X 45.12	1	
9	41142	(004000-006008)	Washer-Loc Int-Ext .38 Pltd	1	

Fig. 23 - Engine Oil Filter Group (004000-006008)

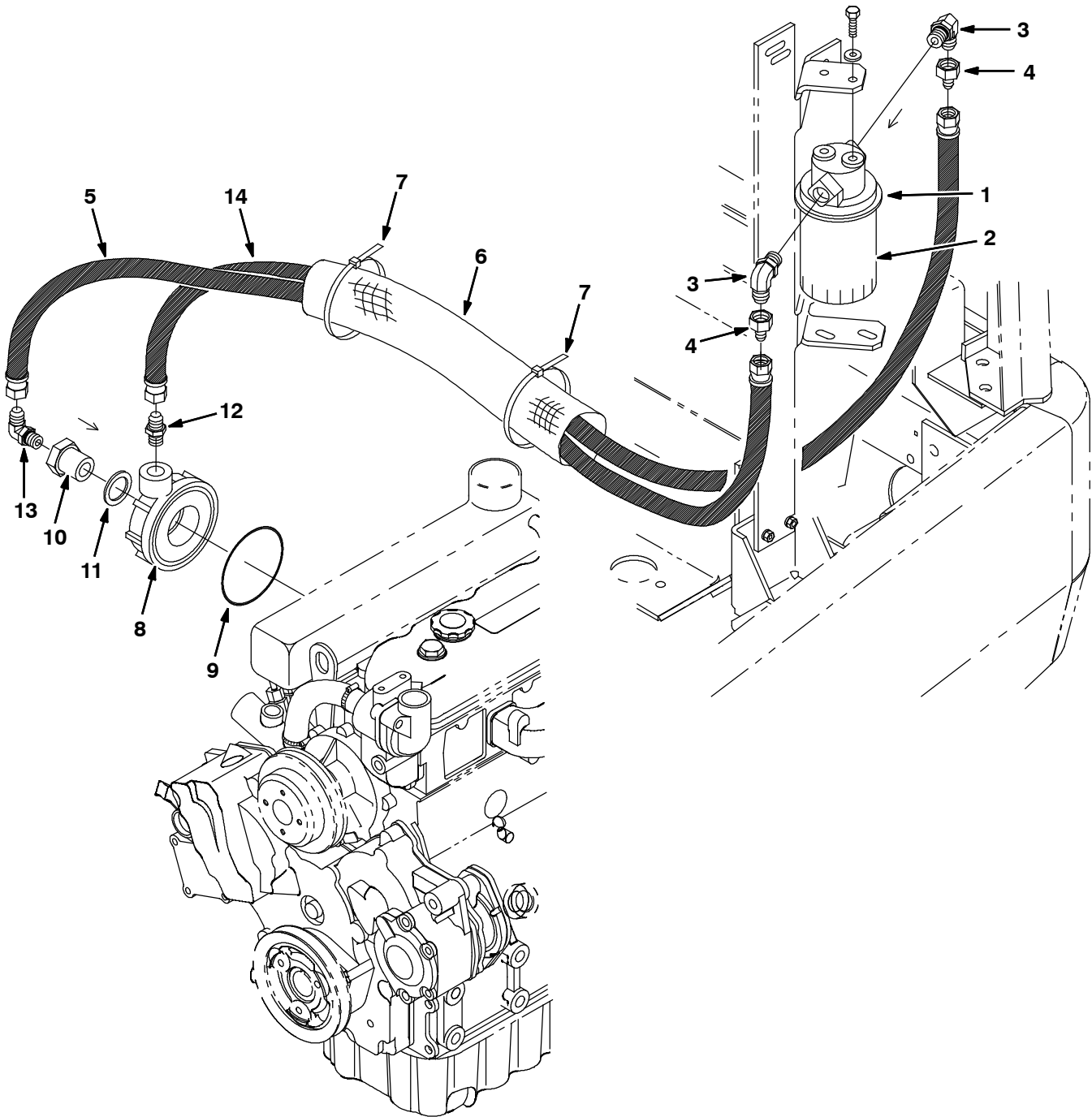


Fig. 23 - Engine Oil Filter Group (004000-006008)

Ref.	Part No.	Serial Number	Description	Qty.
1	380564	(004000-006008)	Filter Head Rework, Oil Kubota	1
2	68986	(004000-006008)	Oil Filter Pack	1
3	51782	(004000-006008)	Ftg-Hyd E90 Jm10/Om10	2
4	47754	(004000-006008)	Ftg-Hyd Str Jm06/Jf10	2
5	380749	(004000-006008)	Hose-Hyd Low04 Jf/Jf	1
6	31646	(004000-006008)	Sleeve-Nyln #24 25.0L	1
7	49266	(004000-006008)	Tie, Cable	2
8	380547	(004000-006008)	Adaptor, Oil Filter Rework	1
9	73292	(004000-006008)	O-Ring	1
10	380548	(004000-006008)	Plug, Oil Filter, Rework	1
11	73293	(004000-006008)	Gasket	1
12	52402	(004000-006008)	Ftg-Hyd Str Jm06/Om08	1
13	47512	(004000-006008)	Ftg-Hyd E90 Jm06/Om08	1
14	375679	(004000-006008)	Hose	2

Fig. 24 - Engine Air Cleaner Group (004000-006008)

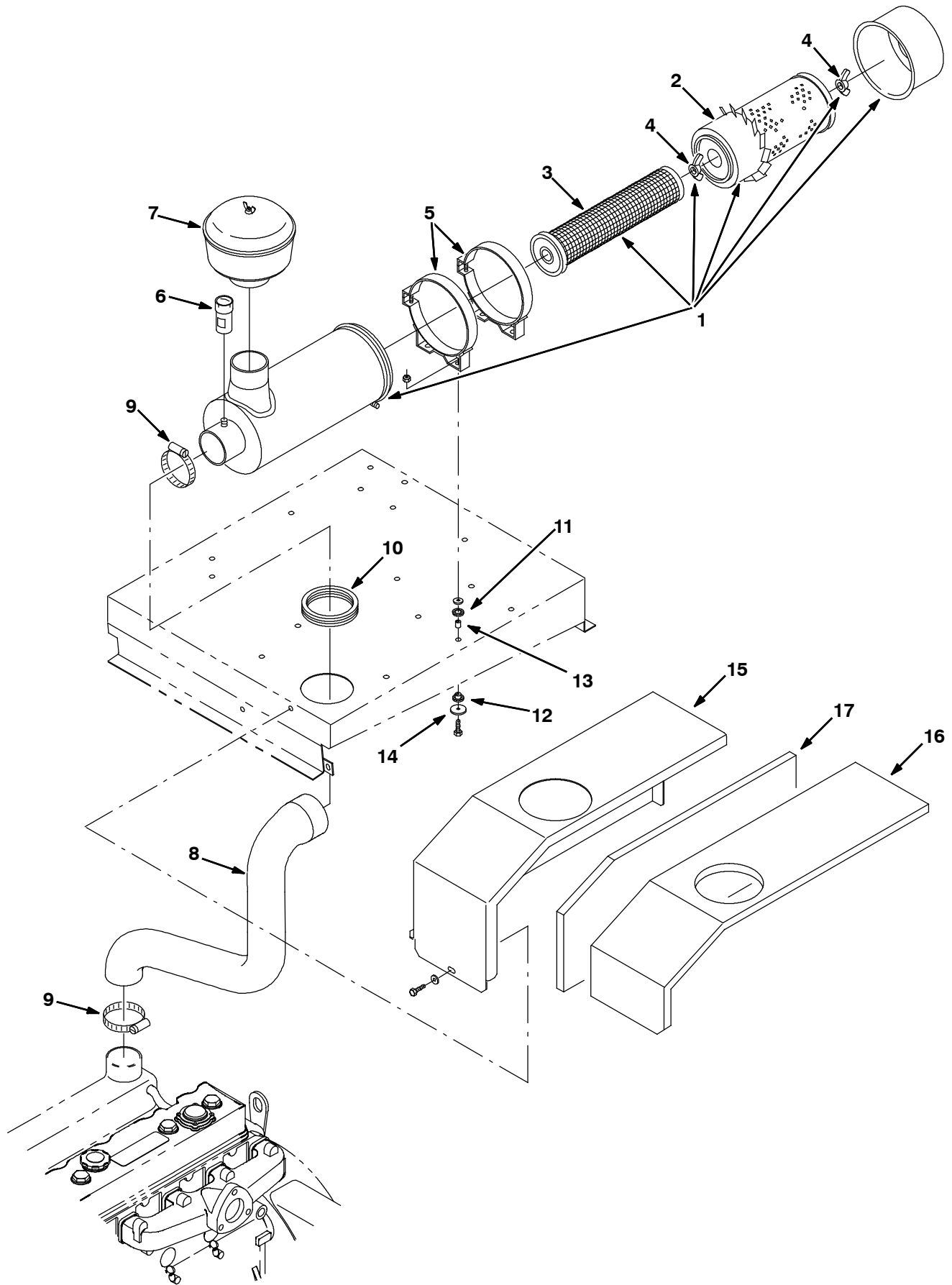


Fig. 24 - Engine Air Cleaner Group (004000-006008)

	Ref.	Part No.	Serial Number	Description	Qty.
▽	1	48014	(004000-006008)	Cleaner, Air Al Se	1
▲	2	60934	(004000-006008)	Element, Air Cleaner	1
▲	3	60933	(004000-006008)	Element, Filter Safety	1
▲	4	07562	(004000-006008)	Nut,Wing .44-20 Special	2
	5	76321	(004000-006008)	Band,Mtg.	2
	6	03026	(004000-006008)	Indicator Service Air Filter	1
	7	75666	(004000-006008)	Filter, Pre-Cleaner, A/C	1
	8	380556	(004000-006008)	Hose, Mold. Air Intake 2.5ld	1
	9	43555	(004000-006008)	Clamp-Wormdrive, 1.62- 3.50D	2
	10	380591	(004000-006008)	Grommet, Rbr, 3.75ld F/ 4.0H .	1
	11	54527	(004000-006008)	Ring, Rubber	4
	12	54528	(004000-006008)	Bushing, Rubber	4
	13	45177	(004000-006008)	Sleeve	4
	14	41178	(004000-006008)	Washer, Fender	4
	15	380759	(004000-006008)	Cover	1
	16	380766	(004000-006008)	Insulation	1
	17	380767	(004000-006008)	Insulation	1

Fig. 25 - Engine Air Cleaner Group (006009-)

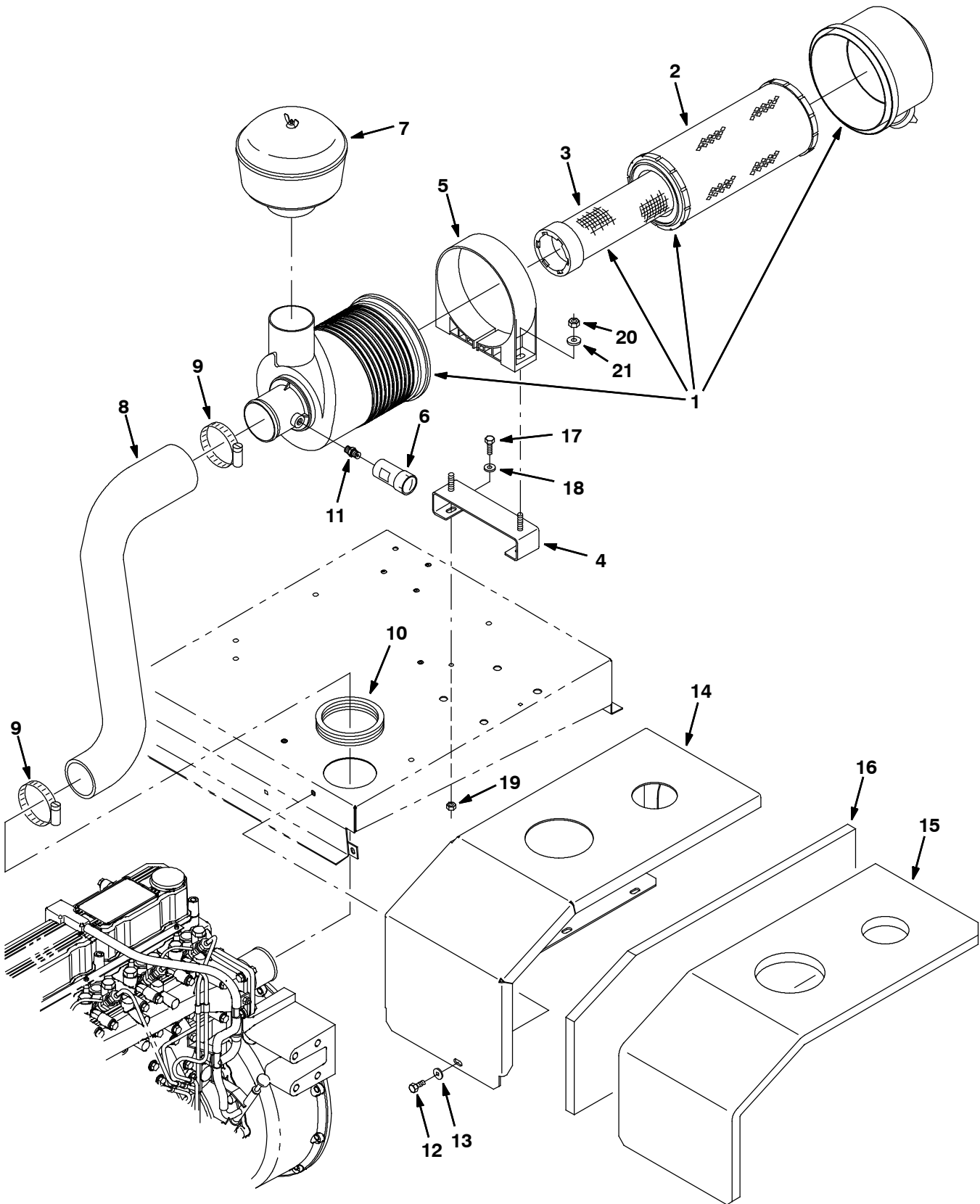


Fig. 25 - Engine Air Cleaner Group (006009-)

Ref.	Part No.	Serial Number	Description	Qty.
▽	1	1013344	(006009-) Filter, Air-Clnr	1
▲	2	372652	(006009-) Element, Fltr, Air-clnr	1
▲	3	372651	(006009-) Filter, Safety, Air-clnr	1
	4	1012754	(006009-) Bracket, Stand-Off, Fltr, Air	2
	5	1013366	(006009-) Mount, Band, Fltr, 7.17id	2
	6	03026	(006009-) Indicator, Filter, Air	1
	7	75666	(006009-) Filter, Air, Pre-Cln, A/C	1
	8	1012150	(006009-) Hose, Air, Intake [800d]	1
	9	43555	(006009-) Clamp, Hose, Wormdrive, 1.62-3.50d	2
	10	380591	(006009-) Grommet, Rbr, 3.25id, F/ 3.5h, .06matl	1
	11	51560-5	(006009-) Fitting, Brs, Str, Pm02, Service	1
	12	06942	(006009-) Screw, Hex, M6 X 1.0 X 16, 8.8	4
	13	32483	(006009-) Washer, Flat, 0.25 Sae	4
	14	1015886	(006009-) Cover Wldt, Air-Clnr	1
	15	1016418	(006009-) Insulation, Acstc, .75th 10.71w	1
	16	1016950	(006009-) Insulation, Acstc, 0.8, 23.0 X 10.0 Cham	1
	17	06949	(006009-) Screw, Hex, M6 X 1.0 X 50, 8.8	2
	18	19066	(006009-) Washer, Flat, #10	2
	19	07791	(006009-) Nut, Hex, Flng, M8 X 1.25	2
	20	08709	(006009-) Nut, Hex, Lock, M8 X 1.25, NI	2
	21	32491	(006009-) Washer, Flat, 0.31 Std	2

Fig. 26 - Engine Muffler Group (004000-006008)

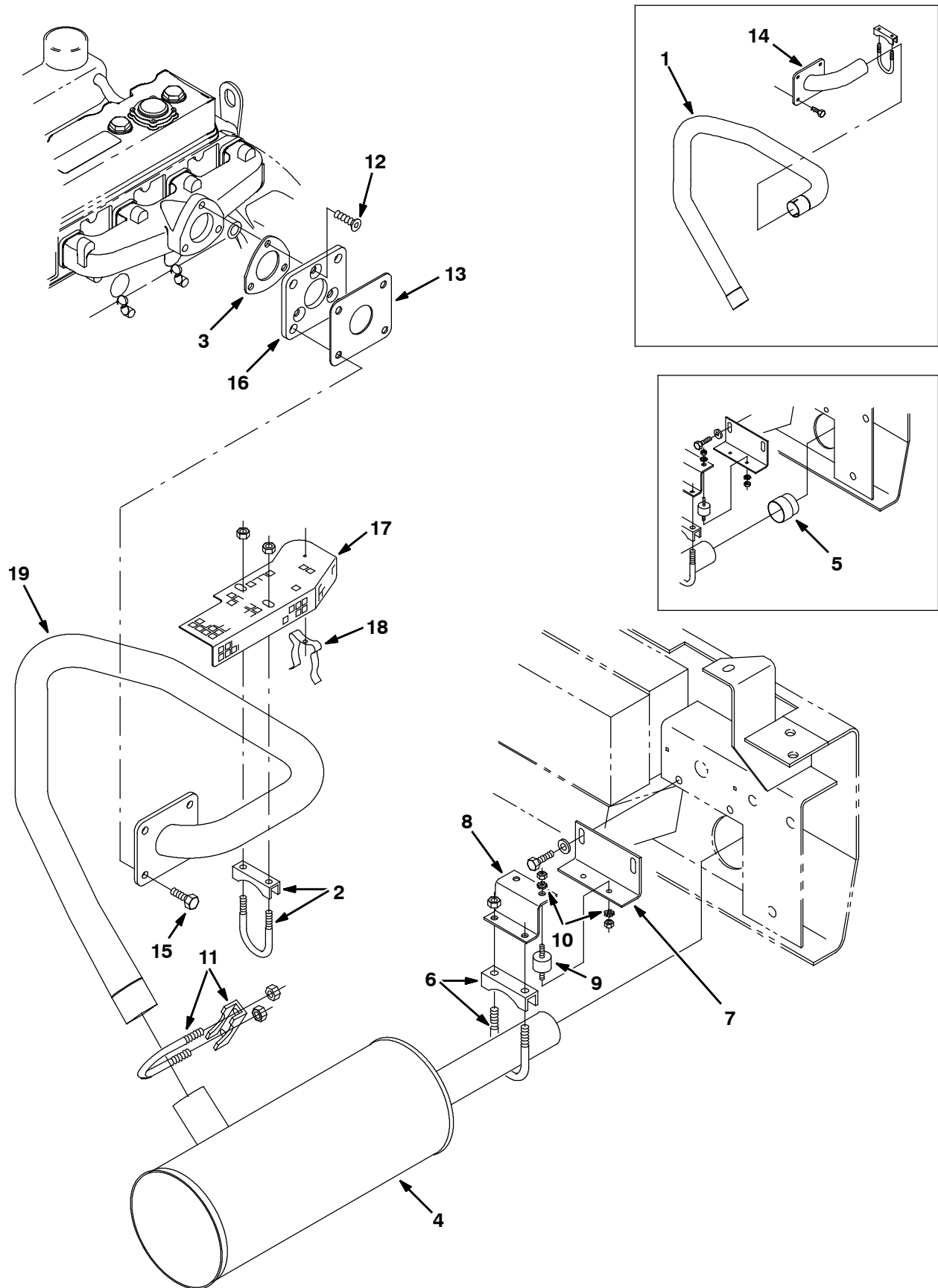


Fig. 26 - Engine Muffler Group (004000-006008)

Ref.	Part No.	Serial Number	Description	Qty.
1	380526	(004000-004731)	Tube, Exhaust, 1.7D 1.87D 1.78	1
2	84579	(004000-006008)	Clamp, Muffler, 1.75d, Hd	1
3	370827	(004000-006008)	Gasket	1
4	76383	(004000-006008)	Muffler, Exhaust	1
5	75603	(004000-xxxxxx)	Tube, Extension	1
6	05881	(004000-006008)	Clamp-Muffler, For 2.00 Od Tube	1
7	21138	(004000-006008)	Bracket, Tail Pipe	1
8	21136	(004000-006008)	Bracket, Tail Pipe	1
9	82661	(004000-006008)	Isolator-Vibration .25-20	2
10	41140	(004000-006008)	Washer-Loc Int-Ext .25 Pltd	4
11	05880	(004000-006008)	Clamp, Muffler, 1.88d	1
12	380587	(004000-006008)	Scr-Flt M10X1.5 20 Ss18-8	3
13	380590	(004000-006008)	Gasket, Exhaust, 4Hole	1
14	380589	(004000-004731)	Tube Wldt, Exhaust 1.7D 4H Fln	1
15	12317	(004000-006008)	Scr Hexssm10X1.5 30	4
16	380581	(004000-006008)	Flange, 3Hole/4Hole 1.8C-Hole	1
17	380632	(004000-006008)	Guard	1
18	22473	(004000-006008)	Clip, Finger Grip	1
19	374756	(004732-006008)	Tube, Exhaust	1

Fig. 27 - Engine Muffler Group (006009-)

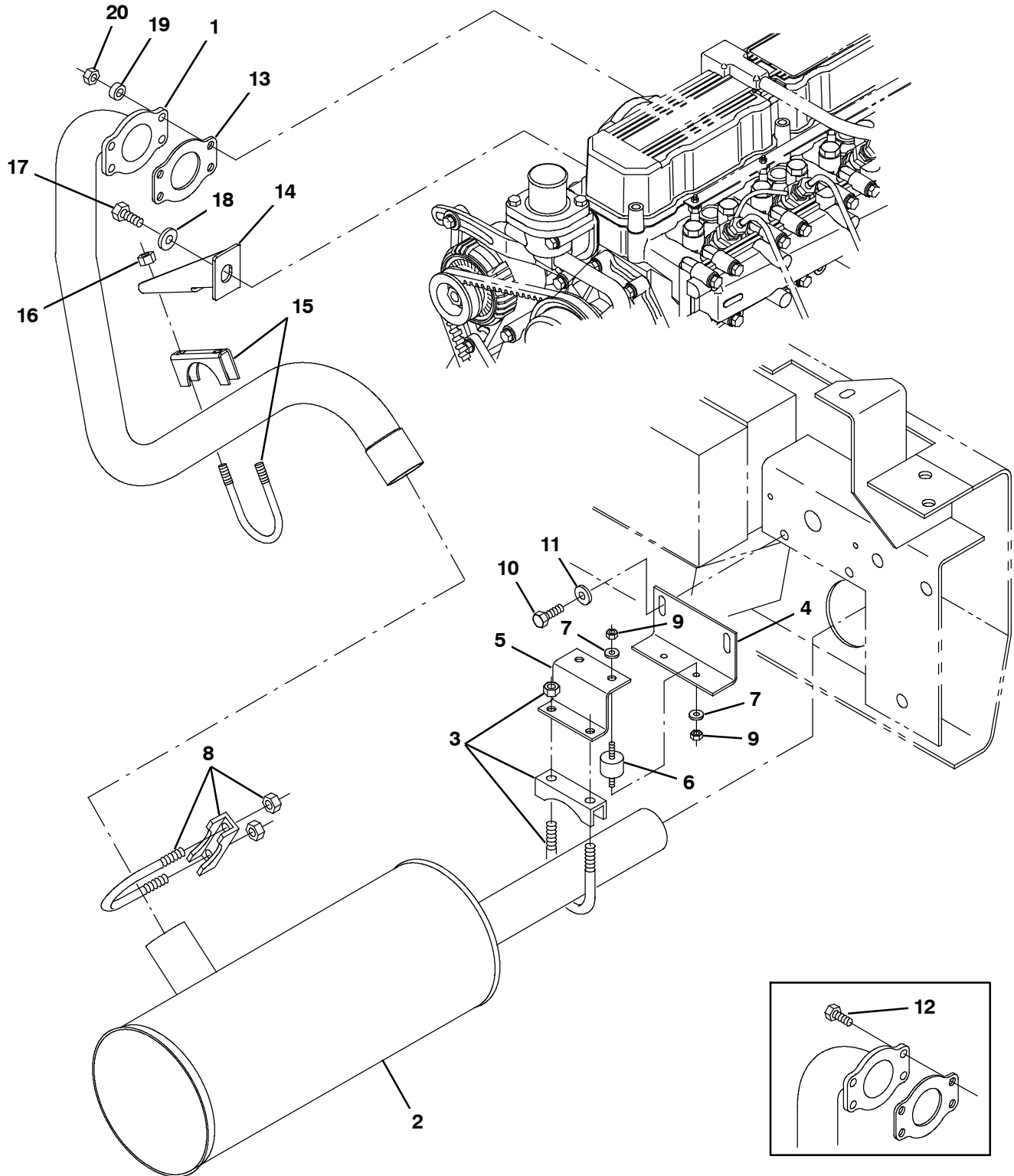


Fig. 27 - Engine Muffler Group (006009-)

Ref.	Part No.	Serial Number	Description	Qty.
1	1012144	(006009-) Tube, Exhaust [800d]	1
2	1012744	(006009-) Muffler, 6.5d 17.0l 1.9/1.9id	1
3	05881	(006009-) Clamp-Muffler,For 2.00 Od Tube	1
4	21138	(006009-) Bracket, Tail Pipe	1
5	1012012	(006009-) Bracket, Tailpipe	1
6	1013588	(006009-) Isolator, Vib, Ring, 1.0d .25-20/.25-20	2
7	32982	(006009-) Washer, Lock, Int, 0.25	4
8	05880	(006009-) Clamp, Muffler, 1.88d	1
9	19312	(006009-) Nut, Hex, Std, .25-20	4
10	16931	(006009-) Screw, Hex, M8 X 1.25 X 20, 8.8	2
11	32491	(006009-) Washer, Flat, 0.31 Std	2
12	16735	(006009-007320) Screw, Hex, M8 X 1.25 X 16, 8.8	4
13	372678	(006009-) Gasket, Exhaust	1
▽	9003905	(007123-) Support Kit, Exhaust, Modif	1
▲	1041796	(007123-) Bracket, Pipe, Exhaust	1
▲	15 24012-1	(007123-) Clamp, Muffler, 1.75d	1
▲	16 27979	(007123-) Nut, Hex, Flng, .31-18	2
▲	17 06967	(007123-) Screw, Hex, M12 X 1.75 X 20, 8.8	1
▲	18 32486	(007123-) Washer Flat,0.50,Sae	1
19	1027531	(007321-) Spacer, 0.33B 0.50D 0.15L, PI	4
20	39311	(007321-) Nut, Hex, Std M8 X 1.25	4

STANDARD PARTS

Fig. 28 - Engine Fuel Tank Group (004000-006008)

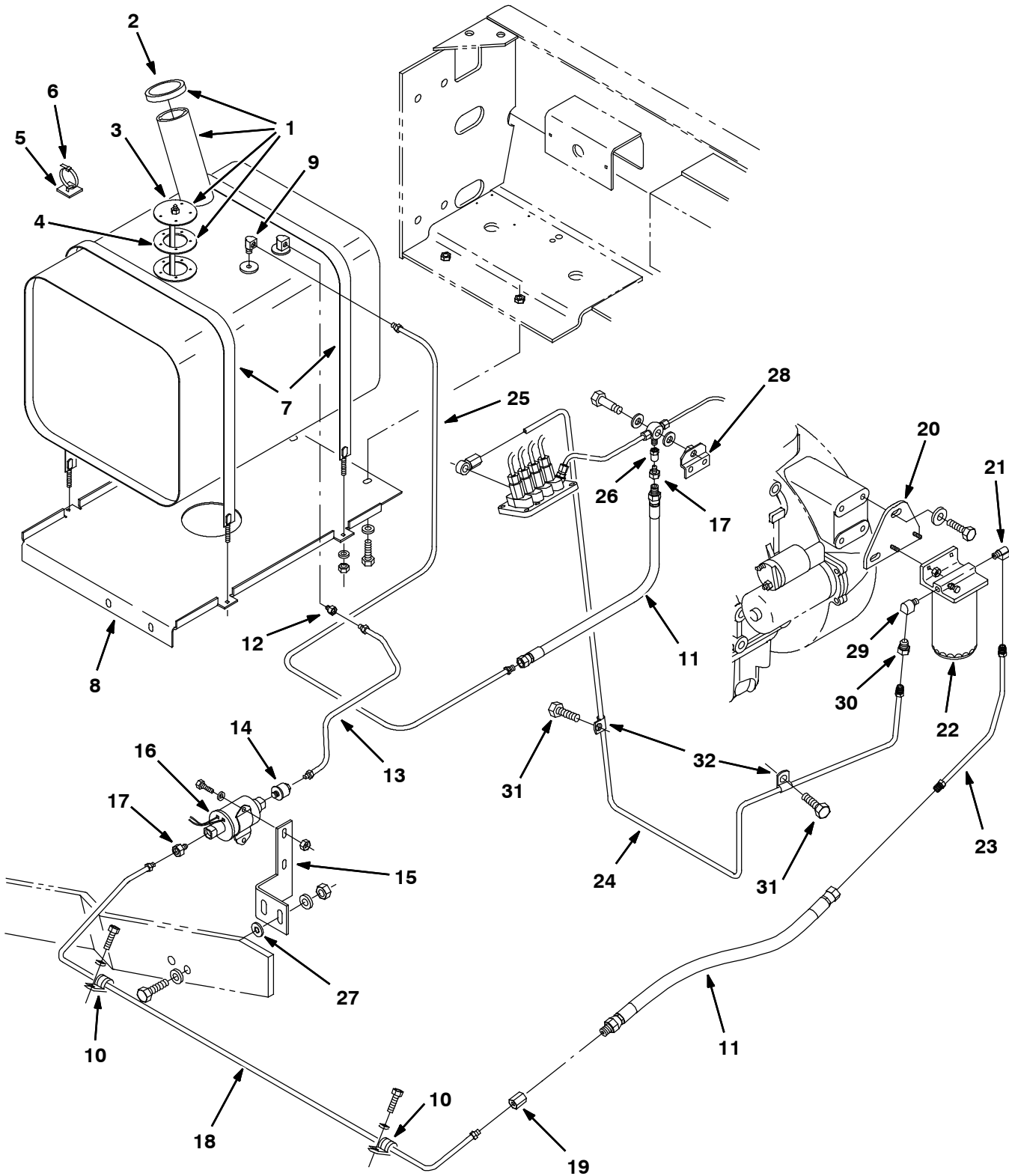


Fig. 28 - Engine Fuel Tank Group (004000-006008)

Ref.	Part No.	Serial Number	Description	Qty.
▽	1	76907	(004000-006008) Tank, Fuel	1
▲	2	48267	(004000-006008) Cap, Fuel	1
▲	3	21731	(004000-006008) Send-Unit	1
▲	4	21732	(004000-006008) Gasket, Sending Unit Tc	1
	5	55248	(004000-006008) Mount, Cable Tie	4
	6	49266	(004000-006008) Tie, Cable	4
	7	87396	(004000-006008) Strap	2
	8	70477	(004000-006008) Plate, Mtg	1
	9	15555-1	(004000-006008) Fitting, Brass, Elbow	1
	10	76736	(004000-006008) Clamp, Cable	2
	11	70173	(004000-006008) Hose, Fuel	2
	12	78043	(004000-006008) Fitting, Brass, Str	1
	13	77558	(004000-006008) Fuelline	1
	14	36050	(004000-006008) Filter, Fuel	1
	15	75854	(004000-006008) Bracket, Pump, Fuel	1
	16	59015	(004000-006008) Pump, Fuel	1
	17	40585	(004000-006008) Fitting, Brass, Str	2
	18	83644	(004000-006008) Tube Fuel .31D 05lf/	1
	19	25610	(004000-006008) Fitting, Brass	1
	20	380535	(004000-006008) Bracket, Mtg, Filter, Fuel	1
	21	15555-2	(004000-006008) Fitting, Brass, Elbow	1
▽	22	55850	(004000-006008) Filter, Fuel	1
▲		55844	(004000-006008) Element, Filter, Fuel	1
	23	380528	(004000-006008) Tube Fuel .31D 05lf	1
	24	380527	(004000-006008) Tube Fuel .31D 05lf/	1
	25	380549	(004000-006008) Tube Fuel .31D	1
	26	380637	(004000-006008) Fitting	1
	27	32491	(004000-006008) Washer Flt .31 Hard	2
	28	380679	(004000-006008) Bracket	1
	29	27048	(004000-006008) Fitting, Brass, Elbow	1
	30	391823	(004000-006008) Fitting, Brass, Str	1
	31	380769	(004000-006008) Screw	2
	32	380770	(004000-006008) Clamp	2

STANDARD PARTS

Fig. 29 - Engine Fuel Tank Group (006009-)

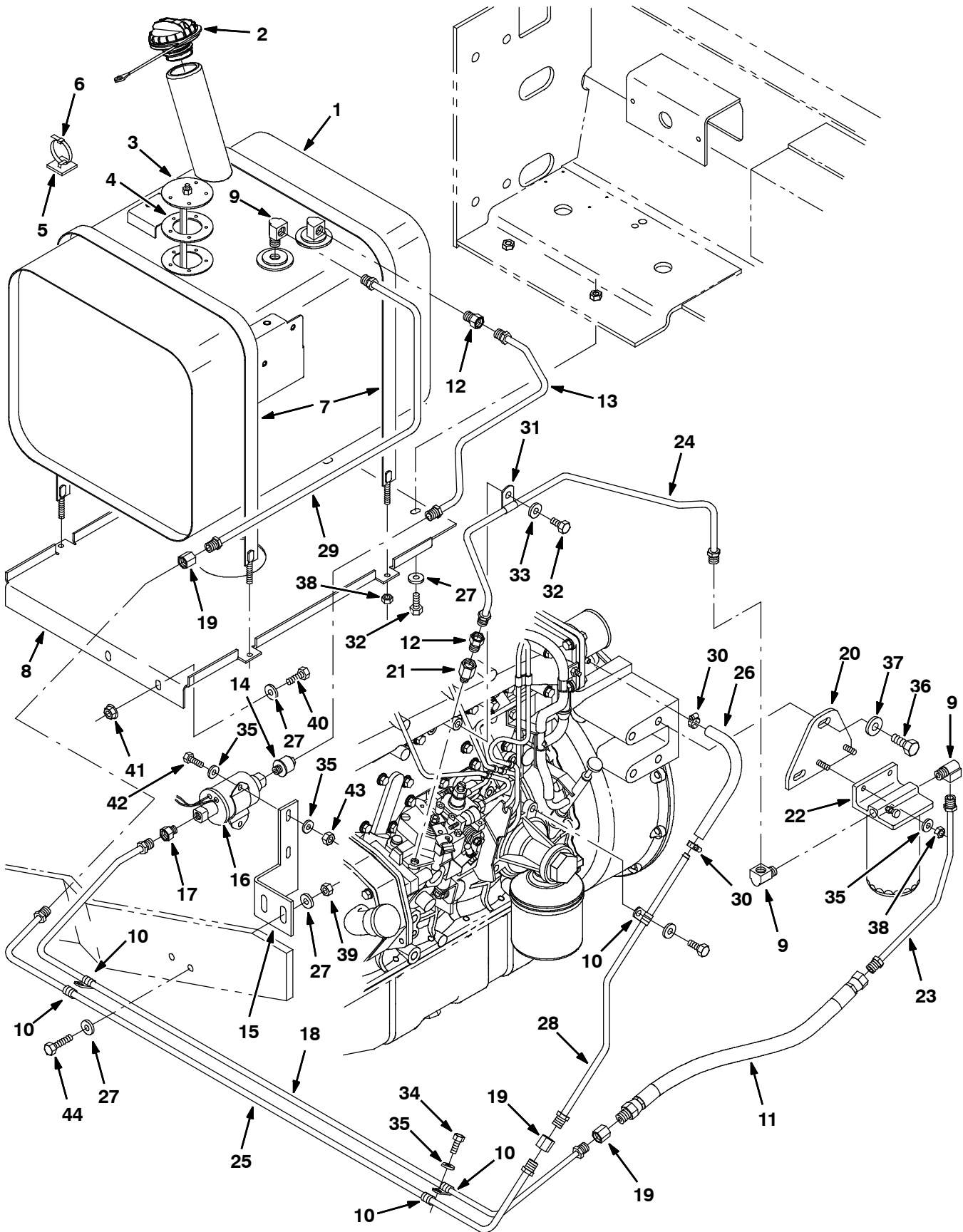


Fig. 29 - Engine Fuel Tank Group (006009-)

Ref.	Part No.	Serial Number	Description	Qty.
▽	1	1029502	(006009-) Tank, Fuel, 14.0gal, 14.66w 13.0hi 19.0l	1
▲	2	1033897	(006009-) Gasket, Sender, Fuel	1
▲	3	1033899	(006009-) Send-Unit, Fuel [800/810 2007]	1
▲	4	1032812	(006009-) Cap, Fuel, Tank	1
	5	55248	(006009-) Mount, Cable Tie	4
	6	49266	(006009-) Tie, Cable	4
	7	87396	(006009-) Strap	2
	8	70477	(006009-) Plate, Mtg	1
	9	15555-2	(006009-) Fitting, Brass, Elbow	3
	10	76736	(006009-) Clamp, Cable	5
	11	70173	(006009-) Hose, Fuel	1
	12	78043	(006009-) Fitting, Brass, Str	2
	13	77558	(006009-) Fuelline	1
	14	36050	(006009-) Filter, Fuel	1
	15	75854	(006009-) Bracket, Pump, Fuel	1
	16	59015	(006009-) Pump, Fuel	1
	17	40585	(006009-) Fitting, Brass, Str	2
	18	83644	(006009-) Tube Fuel .31D 05lf/	1
	19	25610	(006009-) Fitting, Brass	3
	20	380535	(006009-) Bracket, Mtg, Filter, Fuel	1
	21	1012738	(006009-) Fitting, Hyd, Str, Metric, Om12/Pf04	1
▽	22	1016827	(006009-) Filter Assy, Fuel, Diesel	1
▲		1017126	(006009-) Element, Fltr, Fuel [Dn]	1
	23	380528	(006009-) Tube Fuel .31D 05lf	1
	24	1012142	(006009-) Tube Fuel .31D 05lf/	1
	25	1011914	(006009-) Tube Fuel .31D	1
	26	54845	(006009-) Hose, Fuel, 0.31id 08.0l	1
	27	32491	(006009-) Washer Flt .31 Hard	8
	28	1012143	(006009-) Fuelline, Dsl [800d]	1
	29	392597	(006009-) Fuelline, .31d 05if/05if Stl	1
	30	43844	(006009-) Clamp, Hose, Wormdrive, 0.25-0.62d	2
	31	380770	(006009-) Clamp, Cable, Stl, 0.31d X 0.88w	1
	32	16931	(006009-) Screw, Hex, M8 X 1.25 X 20, 8.8	3
	33	32493	(006009-) Washer, Flat, 0.50 Std	1
	34	12459	(006009-) Screw, Hex, M6 X 1.0 X 20, Fmg	2
	35	19066	(006009-) Washer, Flat, #10	8
	36	41346	(006009-) Screw, Hex, M12 X 1.75 X 30, 8.8	2
	37	32486	(006009-) Washer, Flat, 0.50 Sae	2
	38	32981	(006009-) Nut, Hex, Lock, .25-20, NI	6
	39	08709	(006009-) Nut, Hex, Lock, M8 X 1.25, NI	2
	40	39277	(006009-) Screw, Hex, M8 X 1.25 X 25, 8.8	2
	41	07791	(006009-) Nut, Hex, Flng, M8 X 1.25	2
	42	06943	(006009-) Screw, Hex, M6 X 1.0 X 20, 8.8	2
	43	08708	(006009-) Nut, Hex, Lock, M6 X 1.0, NI	2
	44	06955	(006009-) Screw, Hex, M8 X 1.25 X 35, 8.8	2

Fig. 30 - Engine Radiator Hose Group (004000-006008)

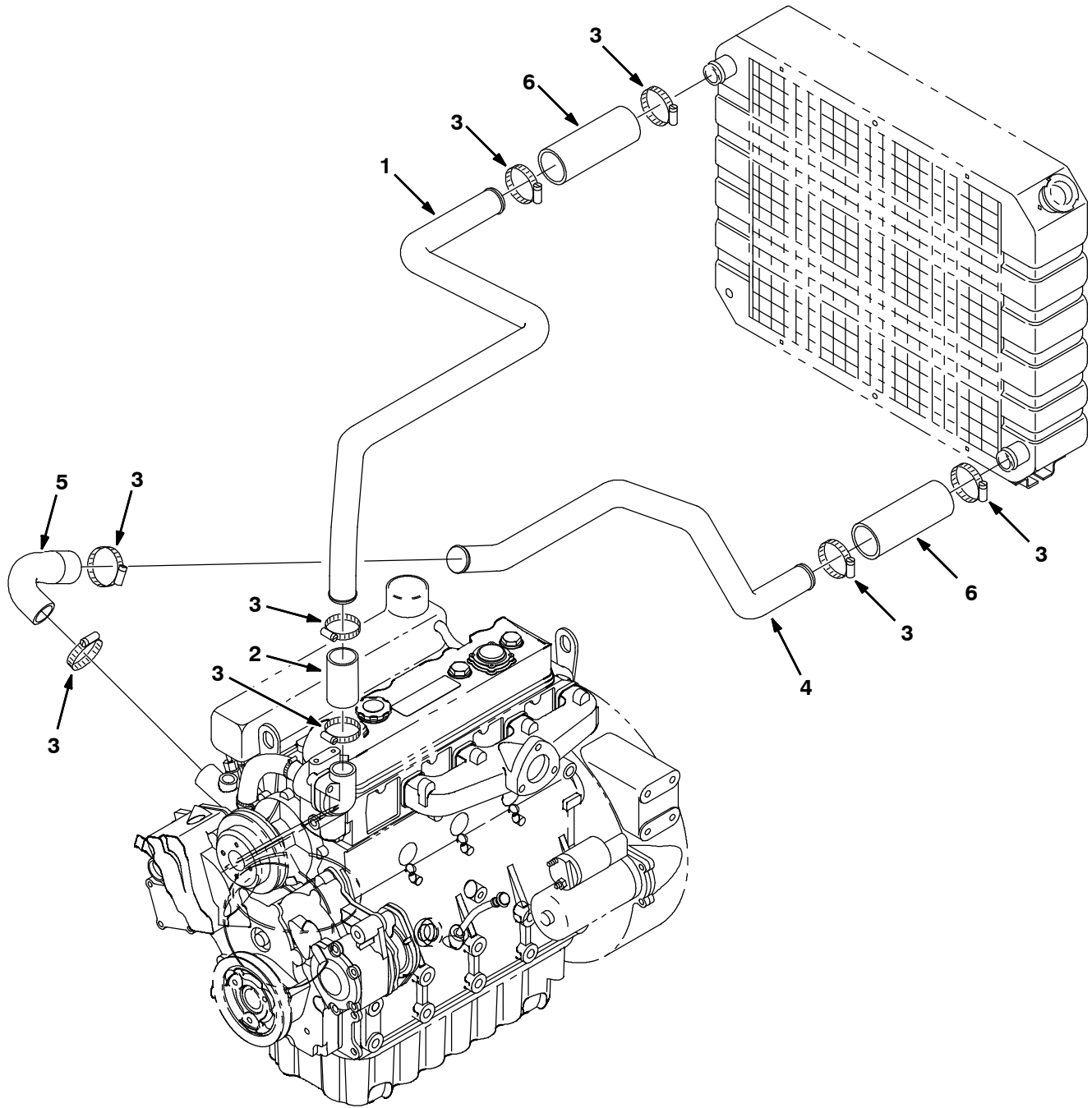


Fig. 30 - Engine Radiator Hose Group (004000-006008)

Ref.	Part No.	Serial Number	Description	Qty.
1	380524	(004000-006008)	Tube, Coolant 1.5D	1
2	62377	(004000-006008)	Hose Radiator, 1.50 Idx 3.0 Lg	1
3	11531	(004000-006008)	Clamp-Wormdrive, 1.06- 2.00D	8
4	380525	(004000-006008)	Tube, Coolant 1.5D W/.25Npt	1
5	380748	(004000-006008)	Hose, Radiator, Upper	1
6	78750	(004000-006008)	Hose	2

Fig. 31 - Engine Radiator Hose Group (006009-)

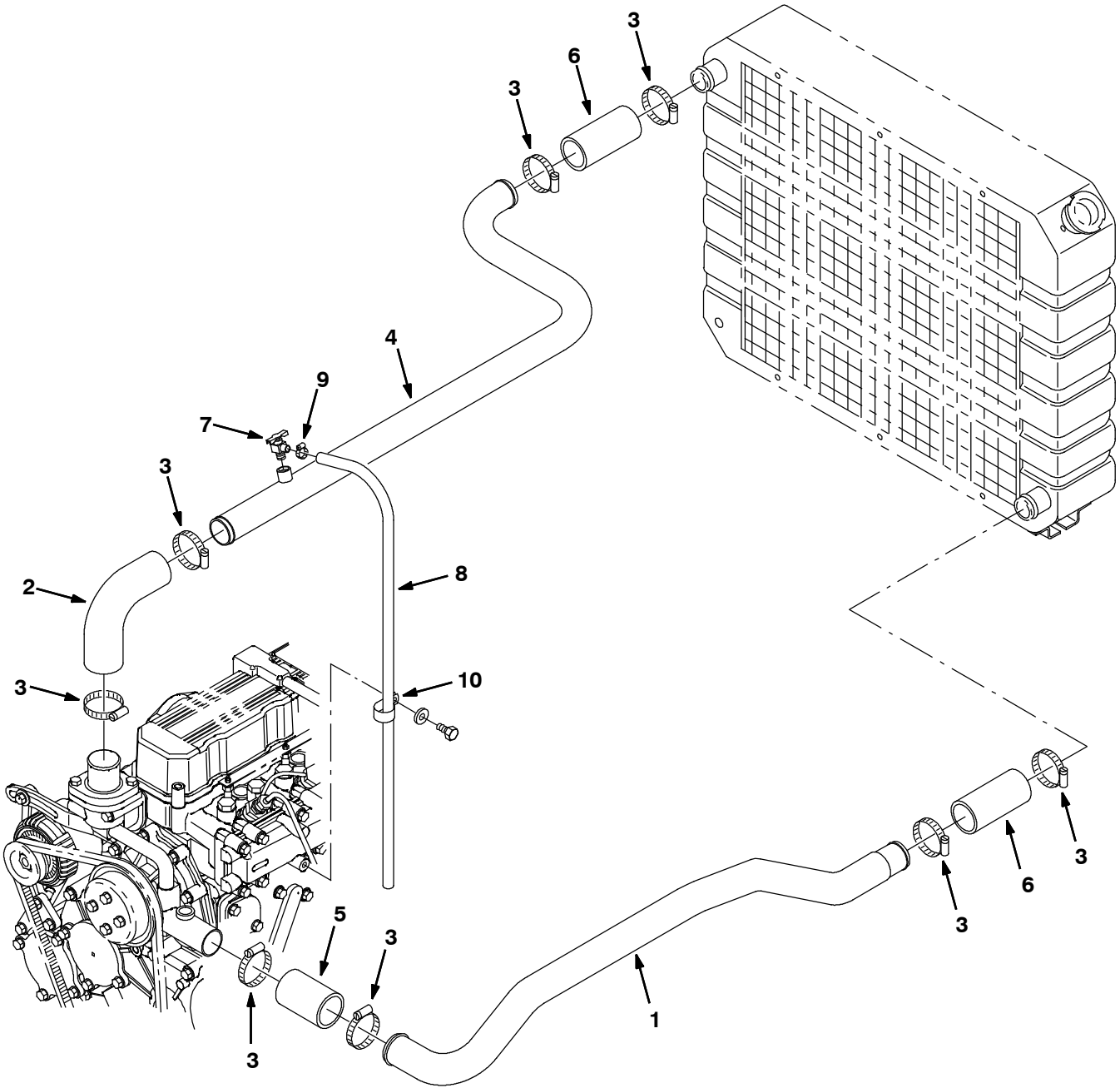


Fig. 31 - Engine Radiator Hose Group (006009-)

Ref.	Part No.	Serial Number	Description	Qty.
1	1011913	(006009-) Tube, Radiator, Lower [800]	1
2	1012737	(006009-) Hose, Radiator	1
3	11531	(006009-) Clamp-Wormdrive, 1.06- 2.00D	8
4	1013275	(006009-) Tube, Radiator, Upper [800ds]	1
5	1012729	(006009-) Hose, Coolant, Mold, 1.63id To 1.63id	1
6	74944	(006009-) Hose, Rbr, 1.50id 1.88od 04.0l	2
7	51305	(006009-) Fitting, Draincock, .25npt 90	1
8	63182-2	(006009-) Hose, Pvc, Clr, 0.38id 0.56od 36.00l	1
9	43844	(006009-) Clamp, Hose, Wormdrive, 0.25-0.62d	1
10	09570	(006009-) Clamp, Cable, Stl, 0.9x1.8x0.62w, 1h	1

STANDARD PARTS

Fig. 32 - Engine Radiator and Cooling Fan Group (004000-006308)

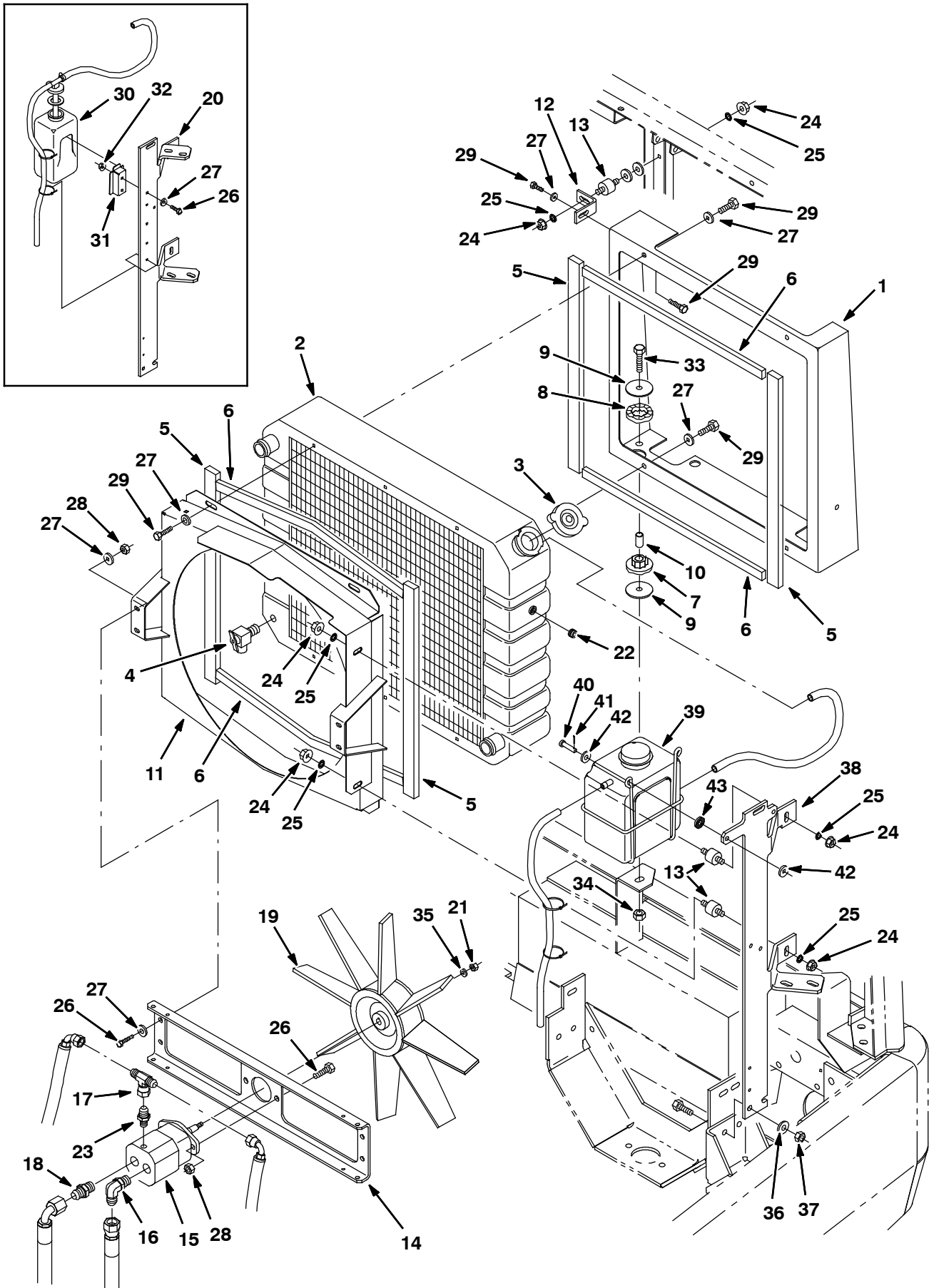


Fig. 32 - Engine Radiator and Cooling Fan Group (004000-006308)

Ref.	Part No.	Serial Number	Description	Qty.	
1	48056	(004000-006308)	Duct, Rear	1	
2	1041739AM	(004000-006308)	Radiator	1	
3	1045764	(004000-006308)	Cap, Radiator, 14psi [Stant]	1	
4	51305	(004000-006308)	Drain Cock, .25Npt Wh#120 Angl	1	
5	63818	(004000-006308)	Seal, Duct	4	
6	374230	(004000-006308)	Seal, Ure, 0.38 0.75w 19.5l Adh	4	
7	64621	(004000-006308)	Bushing, Isolator	2	
8	64618	(004000-006308)	Ring, Isolator, Outer Rbr	2	
9	58228	(004000-006308)	Washer, Flat, 0.44b 2.00d .12, Stl, PI	4	
10	77452	(004000-006308)	Spacer	2	
11	9001070	(004000-006308)	Shroud, Fan, Radiator, W/ Label [800]	1	
12	375511	(004000-006308)	Bracket, L, 2.20,2.00, .18T,1.	1	
13	51322	(004000-006308)	Isolator-Vibration .31-18	3	
14	1019188	(004000-006308)	Channel, Mtg, Fan Motor	1	
▽	15	63542	(004000-006308)	Motor-Hyd, Gear In 10.0 (See Breakdowns)	1
▲		00960	(004000-006308)	Key, Sq, 0.12 X 0.12, 0.50l	1
	16	47512	(004000-006308)	Ftg-Hyd E90 Jm06/Om08	1
	17	31599	(004000-004936)	Ftg-Hyd Tee Jm04Omjm	1
	18	52402	(004000-006308)	Ftg-Hyd Str Jm06/Om08	1
	19	375586	(004000-006308)	Fan, Radiator	1
	20	380754	(004000-006183)	Bracket, Mtg, Fltr, Oil, W/ Label [800]	1
	21	74082	(004000-006308)	Nut-Hxlocnyln .31-24 Reg Pltd	1
	22	02247	(004495-006308)	Fitting, Plug	1
	23	50960	(004937-006308)	Fitting, Hyd, Str, Jm06/Om04	1
	24	19313	(004000-006308)	Nut, Hex, Std, .31-18	6
	25	32984	(004000-006308)	Washer, Lock, Int, 0.31	6
	26	39277	(004000-006308)	Screw, Hex, M8 X 1.25 X 25, 8.8	8
	27	32491	(004000-006308)	Washer, Flat, 0.31 Std	14
	28	08709	(004000-006308)	Nut, Hex, Lock, M8 X 1.25, NI	7
	29	16931	(004000-006308)	Screw, Hex, M8 X 1.25 X 20, 8.8	9
	30	87972	(004000-006183)	Tank, Coolant, 03.5 03.0 06.5deep 1.0 Qt	1
	31	382507	(004000-006183)	Bracket, Mtg, Tank, Coolant F/87972	1
	32	07790	(004000-006308)	Nut, Hex, Flng, M6 X 1.0	2
	33	27990	(004000-006308)	Screw, Hex, .38-16 X 2.00, 5	2
	34	50902	(004000-006308)	Nut, Hex, Lock, .38-16, NI	2
	35	41186	(004000-006308)	Washer, Belleville, .31	1
	36	32492	(004000-006308)	Washer, Flat, 0.38 Std	2
	37	41430	(004000-006308)	Nut, Hex, Lock, M10 X 1.5, NI	2
	38	9001183	(004000-006308)	Bracket, Mtg, Fltr, Oil, W/Label [800]	1
	39	768897	(004000-006308)	Tank, Coolant, 06.0 04.5 06.9deep 2.5 Qt	1
	40	46800	(004000-006308)	Pin, Clevis, 0.31 D X 0.75l	2
	41	44906	(004000-006308)	Pin, Hair Cotter, 0.69 D .092 Wir	2
	42	32490	(004000-006308)	Washer, Flat, 0.25 Std	4
	43	63416	(004000-006308)	Washer, Rbr, .12 0.31b 0.88d	2

STANDARD PARTS

Fig. 33 - Engine Radiator and Cooling Fan Group (006309-006999)

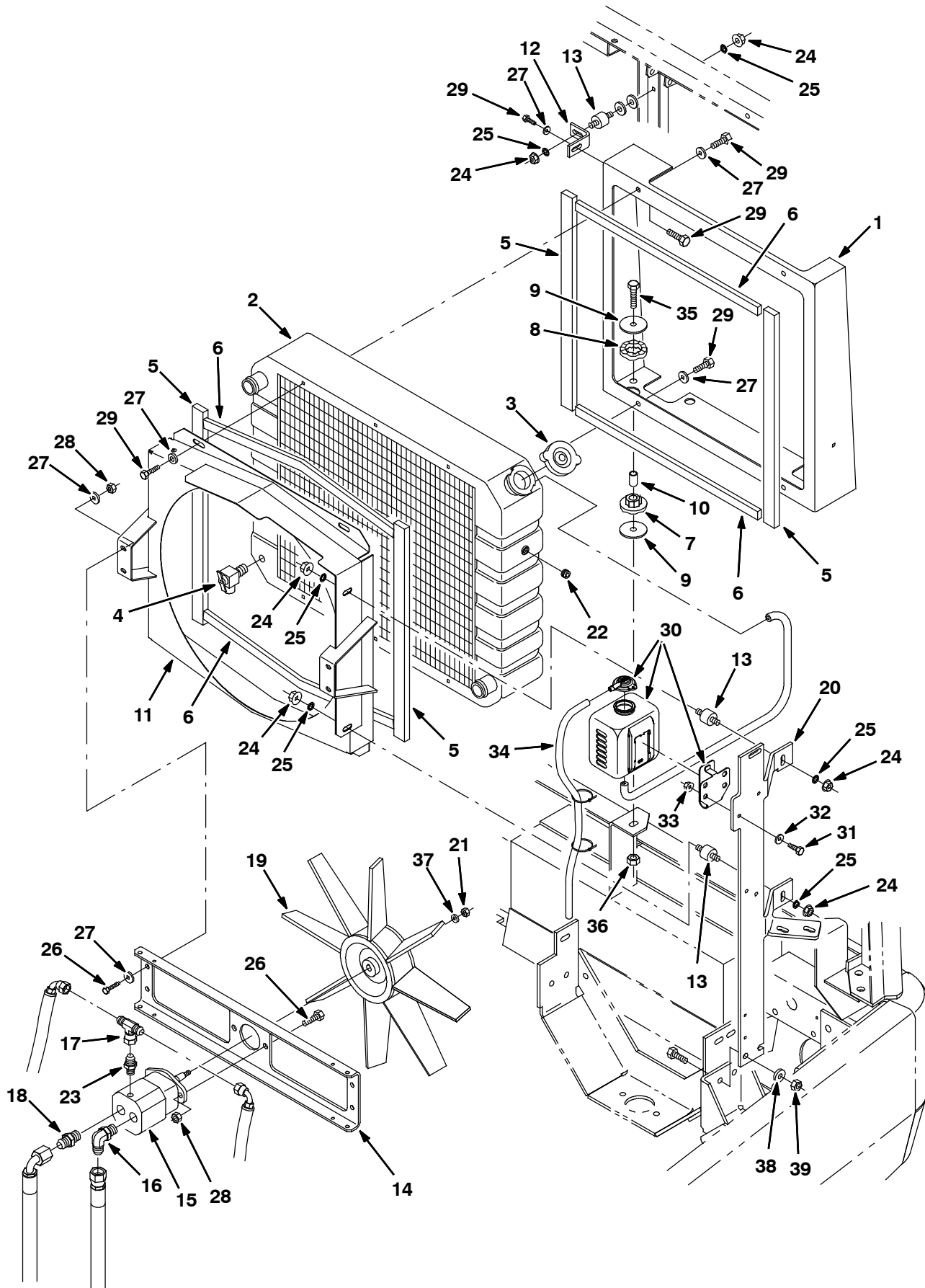


Fig. 33 - Engine Radiator and Cooling Fan Group (006309-006999)

Ref.	Part No.	Serial Number	Description	Qty.	
1	48056	(006309-006999)	Duct, Rear	1	
2	1041739AM	(006309-006999)	Radiator	1	
3	1045764	(006309-006999)	Cap, Radiator, 14psi [Stant]	1	
4	51305	(006309-006999)	Drain Cock, .25Npt Wh#120 Angl	1	
5	63818	(006309-006999)	Seal, Duct	4	
6	374230	(006309-006999)	Seal, Ure, 0.38 0.75w 19.5l Adh	4	
7	64621	(006309-006999)	Bushing, Isolator	2	
8	64618	(006309-006999)	Ring, Isolator, Outer Rbr	2	
9	58228	(006309-006999)	Washer, Flat, 0.44b 2.00d .12, Stl, Pl	4	
10	77452	(006309-006999)	Spacer	2	
11	9001070	(006309-006999)	Shroud, Fan, Radiator, W/ Label [800]	1	
12	375511	(006309-006999)	Bracket, L, 2.20,2.00, .18T,1.	1	
13	51322	(006309-006999)	Isolator-Vibration .31-18	3	
14	1019188	(006309-006999)	Channel, Mtg, Fan Motor	1	
▽	15	63542	(006309-006999)	Motor-Hyd, Gear In 10.0 (See Breakdowns)	1
▲		00960	(006309-006999)	Key, Sq, 0.12 X 0.12, 0.50l	1
	16	47512	(006309-006999)	Ftg-Hyd E90 Jm06/Om08	1
	17	31599	(006309-006999)	Ftg-Hyd Tee Jm04Omjm	1
	18	52402	(006309-006999)	Ftg-Hyd Str Jm06/Om08	1
	19	375586	(006309-006999)	Fan, Radiator	1
	20	9001554	(006309-006999)	Bracket, Mtg, Fltr, Oil, W/Label [800]	1
	21	74082	(006309-006999)	Nut-Hxlocnyln .31-24 Reg Pltd	1
	22	02247	(006309-006999)	Fitting, Plug	1
	23	50960	(006309-006999)	Fitting, Hyd, Str, Jm06/Om04	1
	24	19313	(006309-006999)	Nut, Hex, Std, .31-18	6
	25	32984	(006309-006999)	Washer, Lock, Int, 0.31	6
	26	39277	(006309-006999)	Screw, Hex, M8 X 1.25 X 25, 8.8	8
	27	32491	(006309-006999)	Washer, Flat, 0.31 Std	14
	28	08709	(006309-006999)	Nut, Hex, Lock, M8 X 1.25, NI	7
	29	16931	(006309-006999)	Screw, Hex, M8 X 1.25 X 20, 8.8	9
	30	1023853	(006309-006999)	Tank, Coolant, 04.7 03.3 4.7deep, 1liter	1
	31	06943	(006309-006999)	Screw, Hex, M6 X 1.0 X 20, 8.8	2
	32	19066	(006309-006999)	Washer, Flat, #10	2
	33	07790	(006309-006999)	Nut, Hex, Flng, M6 X 1.0	2
	34	381391	(006309-006999)	Hose, Drain, Overflow, Radiator	1
	35	27990	(006309-006999)	Screw, Hex, .38-16 X 2.00, 5	2
	36	50902	(006309-006999)	Nut, Hex, Lock, .38-16, NI	2
	37	41186	(006309-006999)	Washer, Belleville, .31	1
	38	32492	(006309-006999)	Washer, Flat, 0.38 Std	2
	39	41430	(006309-006999)	Nut, Hex, Lock, M10 X 1.5, NI	2

STANDARD PARTS

Fig. 34 - Engine Radiator and Cooling Fan Group (007000-)

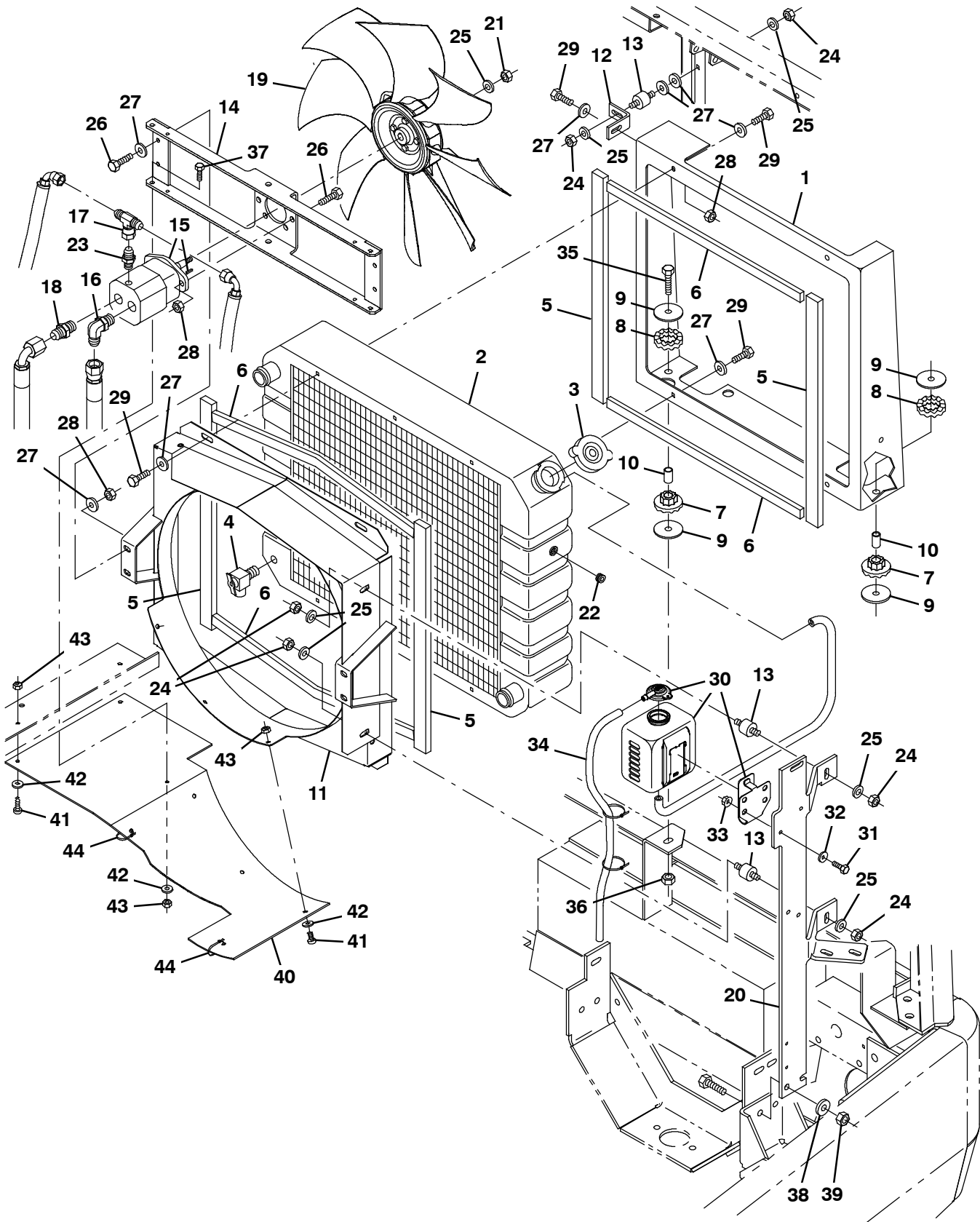


Fig. 34 - Engine Radiator and Cooling Fan Group (007000-)

Ref.	Part No.	Serial Number	Description	Qty.	
1	48056	(007000-) Duct, Rear	1	
2	1041739AM	(007000-) Radiator	1	
3	1045764	(007000-) Cap, Radiator, 14psi [Stant]	1	
4	51305	(007000-) Drain Cock, .25Npt Wh#120 Angl	1	
5	63818	(007000-) Seal, Duct	4	
6	374230	(007000-) Seal, Ure, 0.38 0.75w 19.5l Adh	4	
7	64621	(007000-) Bushing, Isolator	2	
8	64618	(007000-) Ring, Isolator, Outer Rbr	2	
9	58228	(007000-) Washer, Flat, 0.44b 2.00d .12, Stl, Pl	4	
10	77452	(007000-) Spacer	2	
11	9006741	(007000-007400) Shroud Kit, Fan, Radiator [800/810]	1	
11	1056213	(007401-) Shroud Wldt, Fan, Radiator [800/810]	1	
12	375511	(007000-) Bracket, L, 2.20,2.00, .18T,1.	1	
13	51322	(007000-) Isolator-Vibration .31-18	3	
14	1033344	(007000-007400) Bracket Wldt, Mtg, Motor [2007]	1	
14	1051599	(007401-) Bracket Wldt, Mtg, Motor	1	
▽	15	63542	(007000-) Motor-Hyd, Gear In 10.0 (See Breakdowns)	1
▲		00960	(007000-) Key, Sq, 0.12 X 0.12, 0.50l	1
16	47512	(007000-) Ftg-Hyd E90 Jm06/Om08	1	
17	31599	(007000-) Ftg-Hyd Tee Jm04Omjm	1	
18	52402	(007000-) Ftg-Hyd Str Jm06/Om08	1	
19	1033497	(007000-) Fan, Cooling, 18.0d, 8 Blade, 0.5b Taper	1	
20	9001554	(007000-) Bracket, Mtg, Fltr, Oil, W/Label [800l]	1	
21	74082	(007000-) Nut-Hxlocnyln .31-24 Reg Pltd	1	
22	02247	(007000-) Fitting, Plug	1	
23	50960	(007000-) Fitting, Hyd, Str, Jm06/Om04	1	
24	19313	(007000-) Nut, Hex, Std, .31-18	6	
25	41186	(007000-) Washer, Belleville, .31	7	
26	39277	(007000-) Screw, Hex, M8 X 1.25 X 25, 8.8	8	
27	32491	(007000-) Washer, Flat, 0.31 Std	14	
28	08709	(007000-) Nut, Hex, Lock, M8 X 1.25, NI	7	
29	16931	(007000-) Screw, Hex, M8 X 1.25 X 20, 8.8	9	
30	1023853	(007000-) Tank, Coolant, 04.7 03.3 4.7deep, 1liter	1	
31	06943	(007000-) Screw, Hex, M6 X 1.0 X 20, 8.8	2	
32	19066	(007000-) Washer, Flat, #10	2	
33	07790	(007000-) Nut, Hex, Flng, M6 X 1.0	2	
34	381391	(007000-) Hose, Drain, Overflow, Radiator	1	
35	27990	(007000-) Screw, Hex, .38-16 X 2.00, 5	2	
36	50902	(007000-) Nut, Hex, Lock, .38-16, NI	2	
37	06943	(007401-) Screw, Hex, M6 X 1.00 X 20, 8.8	1	
38	32492	(007000-) Washer, Flat, 0.38 Std	2	
39	41430	(007000-) Nut, Hex, Lock, M10 X 1.5, NI	2	
40	1055893	(007401-) Skirt, Cooling Fan [800/810]	1	
41	09145	(007401-) Screw, Pan, Phl, M6 X 1.00 X 16, 4.8	5	
42	32490	(007401-) Washer, Flat, 0.25, Std	6	
43	08708	(007401-) Nut, Hex, Lock, M6 X 1.00, NI	6	
44	763114	(007401-) Tie, Cable, 11.3l, 2.75d Max	2	

Fig. 35 - Engine Battery Group (004000-006008)

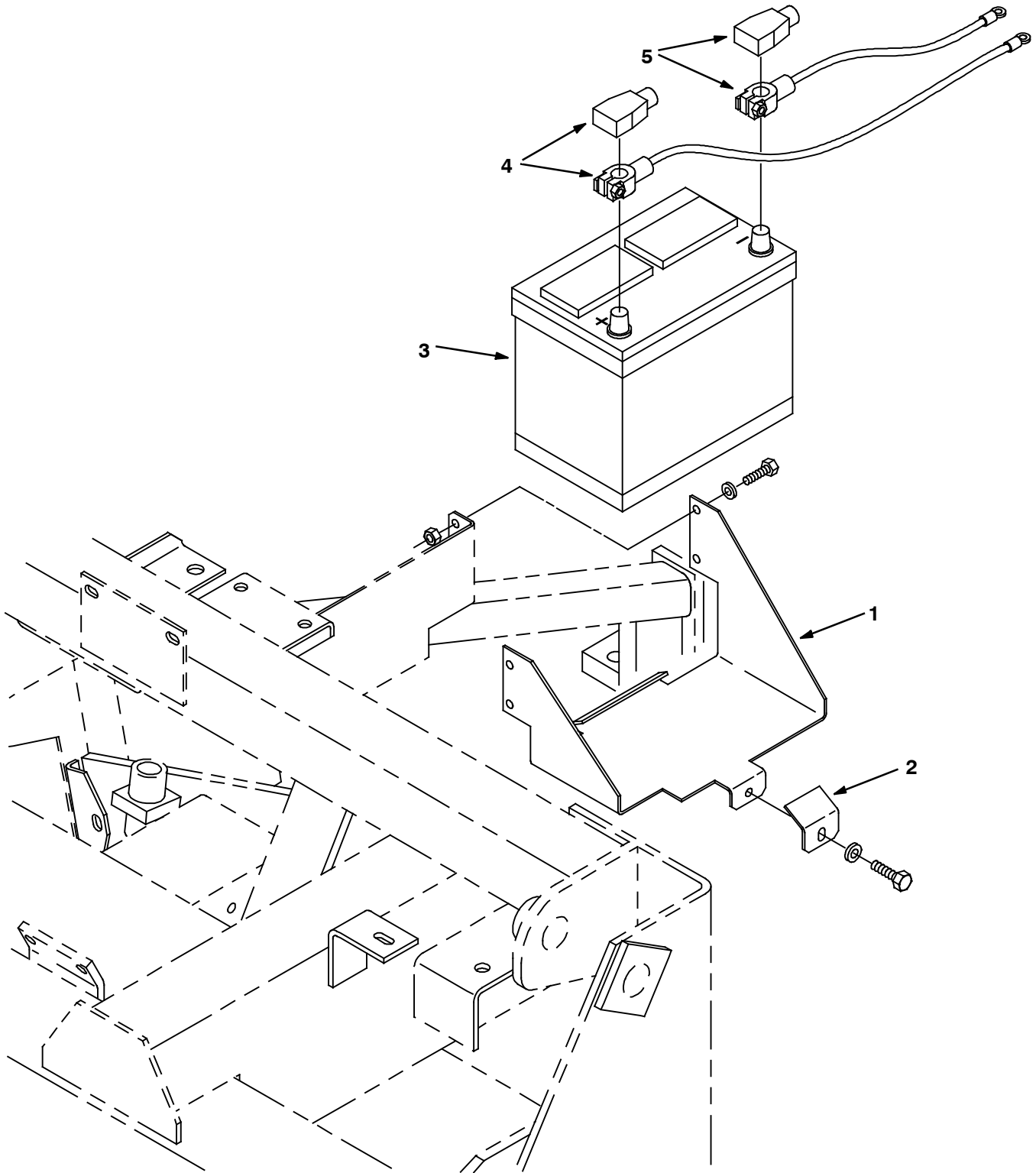


Fig. 35 - Engine Battery Group (004000-006008)

Ref.	Part No.	Serial Number	Description	Qty.
1	77490	(004000-006008)	Bracket, Mtg, Battery	1
2	77579	(004000-006008)	Bracket, Battery	1
3	77602	(004000-006008)	Battery, 12V, Wet	1
4	60294	(004000-006008)	Cable Assy-Batt,Pos, 48.0, 2Ga	1
5	380558	(004000-006008)	Wire, 42.0 Lg, 2Ga, Neg	1

Fig. 36 - Engine Battery Group (006009-)

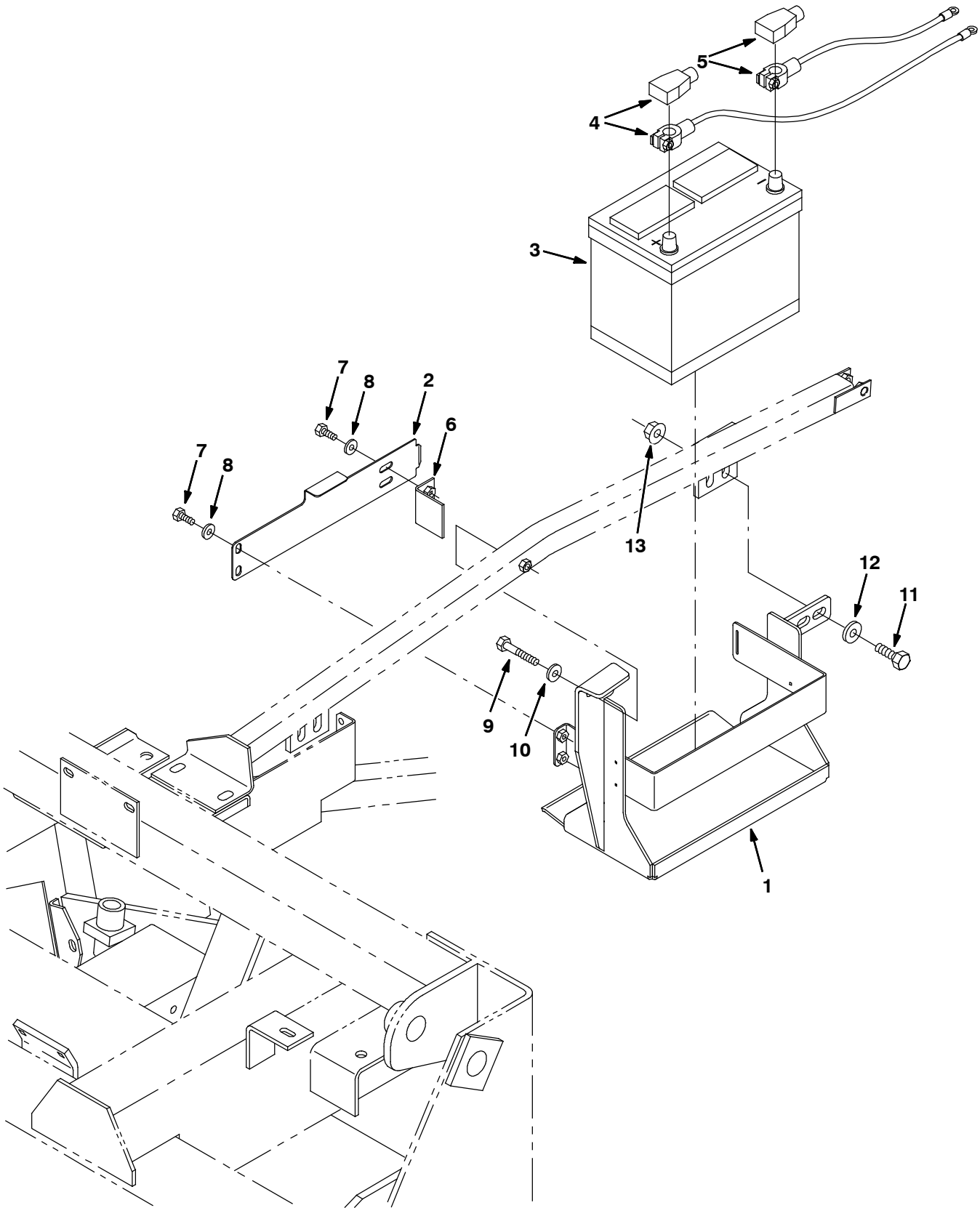


Fig. 36 - Engine Battery Group (006009-)

Ref.	Part No.	Serial Number	Description	Qty.
1	1012785	(006009-) Bracket Wldt, Mtg, Battery	1
2	1011788	(006009-) Bracket, Retainer, Battery	1
3	77602	(006009-) Battery, 12V, Wet	1
4	1011699	(006009-) Cable, Battery, Pos, 38.0l, 2/0 Ga	1
5	1011694	(006009-) Cable, Battery, Neg, 37.0l, 2/0 Ga	1
6	1011795	(006009-) Bracket, Retainer, Battery	1
7	16931	(006009-) Screw, Hex, M8 X 1.25 X 20, 8.8	4
8	41186	(006009-) Washer, Belleville, .31	4
9	06963	(006009-) Screw, Hex, M10 X 1.5 X 60, 8.8	1
10	32492	(006009-) Washer, Flat, 0.38 Std	1
11	06969	(006009-) Screw, Hex, M12 X 1.75 X 40, 8.8	2
12	32486	(006009-) Washer, Flat, 0.50 Sae	2
13	07793	(006009-) Nut, Hex, Flng, M12 X 1.75	2

Fig. 37 - Wheel Group, Rear Drive

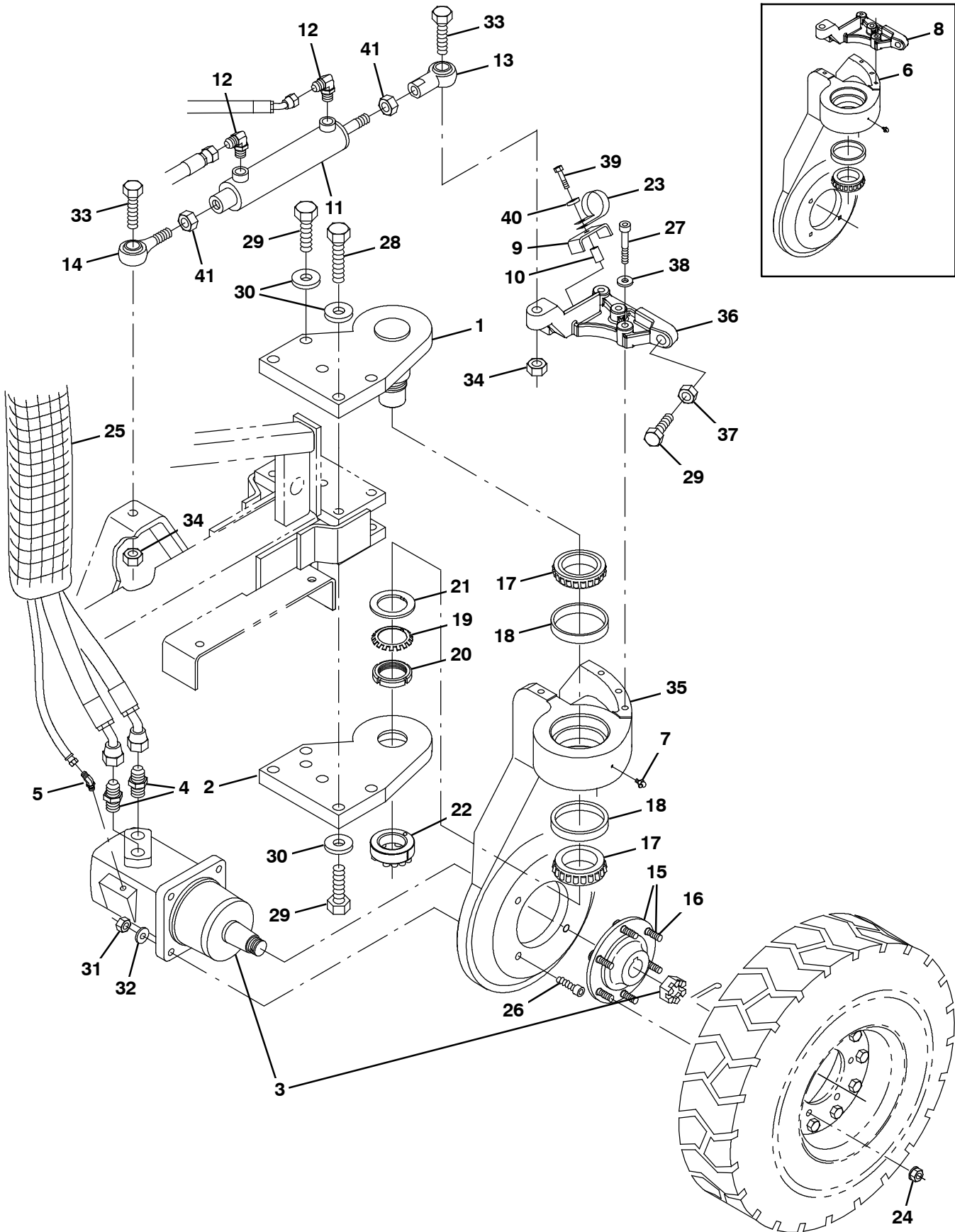


Fig. 37 - Wheel Group, Rear Drive

Ref.	Part No.	Serial Number	Description	Qty.	
1	63491	(004000-) Pivot Wldt, Wheel	1	
2	63471	(004000-) Plate, Pivot, Wheel	1	
3	63426	(004000-004206) Motor-Hyd Gear In (See Breakdowns)	1	
3	22626	(004207-004936) Motor-Hyd Gear (See Breakdowns)	1	
3	373464	(004937-007697) Motor-Hyd Gear (See Breakdowns) (Replaced by 1068905)	1	
3	1068905	(007698-) Motor, Hyd, Gear, Int 29.9 Bi-Dir 3000	1	
4	9008645	(004000-007467) Hose Kit, Rear Drive, Replmt	1	
4	79872	(007468-) Fitting, Hyd, Str, Fm12/Om16	2	
5	34359	(004000-004936) Ftg-Hyd E45 Jm04/Om04	1	
5	47522	(004937-) Fitting, Hyd, E45, Jm06/Om06	1	
6	63540	(004000-004033) Housing, Sppt, Wheel (Repl. by 375534)	1	
6	21740	(004034-007529) House, Wheel	1	
7	09718	(004000-) Ftg, Grease.25-28Th 90 .75L	1	
8	63543	(004000-004033) Bracket, Steering, Machining (Replaced by 375534)	1	
8	375575	(004034-007529) Bracket, Steering, Machining	1	
9	73733	(004000-) Channel, Retainer	1	
10	73731	(004000-) Sleeve, .375B .62D1.06 Stl	1	
11	53601	(004000-006460) Cylinder, Hyd, 2.0b,15.0l, (Replaced by1028492) (See Breakdowns)	1	
11	1028492	(006461-) Cylinder, Hyd, 2.0b 15.0l 08.00strk 1500	1	
12	56820	(004000-) Ftg-Hyd E90 Jm06/Om06	2	
13	64887	(004000-) Balljoint, Rod End	1	
14	64886	(004000-) Balljoint, Rod End	1	
▽	15	79140	(004000-) Hub and Stud Assy.	1
▲	16	79152	(004000-) Stud, Wheel .56-18x2.13	6
	17	51341	(004000-) Bearing-Cone, 2.63Bore 0.87Wth	2
	18	51340	(004000-) Bearing-Cup , 4.33Dia 0.74Wth	2
	19	369701	(004000-) Washer,Lock Special	1
	20	41073	(004000-) Nut,Lock-Special 2.16-18Uns	1
	21	375762	(004000-) Washer	1
	22	63496	(004000-) Ring, Retainer, Lock	1
	23	67767	(004000-) Clamp, Cable	1
	24	79153	(004000-) Nut, Wheel Lug	6
	25	82832	(004000-) Sleeve, Nyl, 37, 25.0l	1
	26	39305	(004000-) Scr-soc .50-13x2.75 Alloypltd	4
	27	375576	(004000-) Scr-soc M12x1.75 60	4
	28	06995	(004000-) Screw, Hex, M20 X 2.5 X 70, 8.8	3
	29	06993	(004000-) Screw, Hex, M20 X 2.5 X 60, 8.8	7
	30	39350	(004000-) Washer, Flat, 0.75, Sae	10
	31	32985	(004000-) Nut, Hex, Lock, .50-13, NI	4
	32	32486	(004000-) Washer, Flat, 0.50, Sae	4
	33	54833	(004000-) Screw, Hex, .75-10 X 2.50, G5	2
	34	32987	(004000-) Nut, Hex, Lock, .75-10, NI	2
	35	1071056	(007530-) Housing, Sppt, Wheel, Rear	1
	36	1053585	(007530-) Bracket, Arm, Steering	1
	37	07783	(004000-) Nut, Hex, Std, M20 X 2.50, 8	1
	38	39346	(004000-) Washer, Flat, 0.44, Std	4
	39	39278	(004000-) Screw, Hex, M8 X 1.25 X 50, 8.8	1
	40	32491	(004000-) Washer, Flat, 0.31, Std	1
	41	43958	(004000-) Nut, Hex, Std, .75-16	2

Fig. 38 - Wheels and Brakes Group, Front

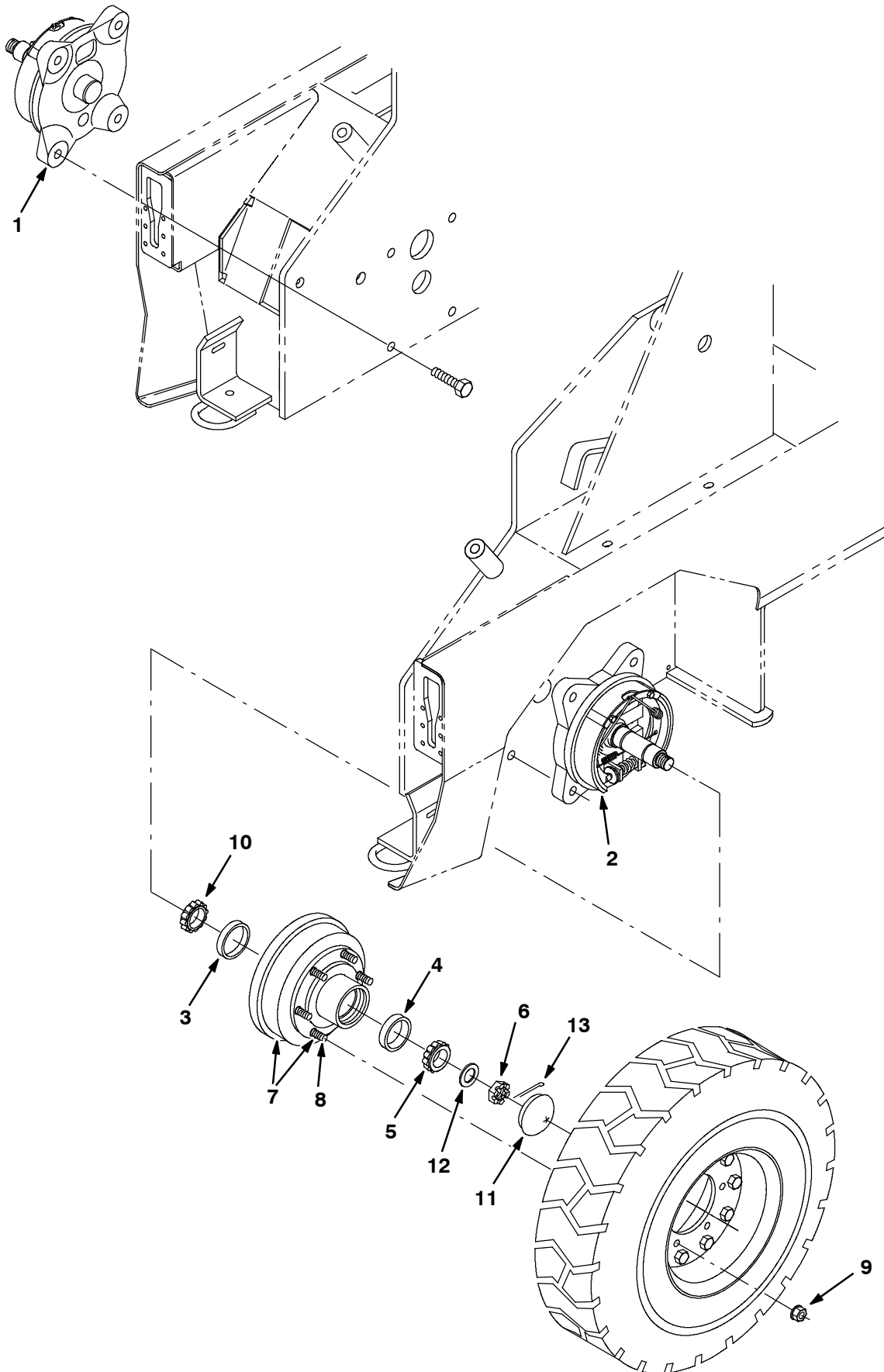


Fig. 38 - Wheels and Brakes Group, Front

Ref.	Part No.	Serial Number	Description	Qty.	
1	77790	(004000-) Brake Assy, Rh (See Breakdowns)	1	
2	77770	(004000-) Brake Assy, Lh (See Breakdowns)	1	
3	17808	(004000-) Bearing-Cup, 2.72Dia 0.59Wth	2	
4	51338	(004000-) Bearing-Cup, 2.56Dia 0.55Wth	2	
5	51193	(004000-) Bearing-Cone, 1.38Bore 0.72Wth	2	
6	14242	(004000-) Nut-Hxslot 1.00-20 Pltd	2	
▽	7	79151	(004000-) Drum Assy, Brake 9/16	2
▲	8	79152	(004000-) Stud, Wheel .56-18x2.13	6
9	79153	(004000-) Nut, Wheel Lug, 9/16-18	12	
10	17809	(004000-) Bearing-Cone, 1.50Bore 0.75Wth	2	
11	51373	(004000-) Cap, Grease Black Paint	2	
12	32598	(004000-) Washer, Flat, 1.02b 1.75d .12, Stl	2	
13	08180	(004000-) Pin, Cotter, .125 X 2.00	2	

Fig. 39 - Wheel Assembly

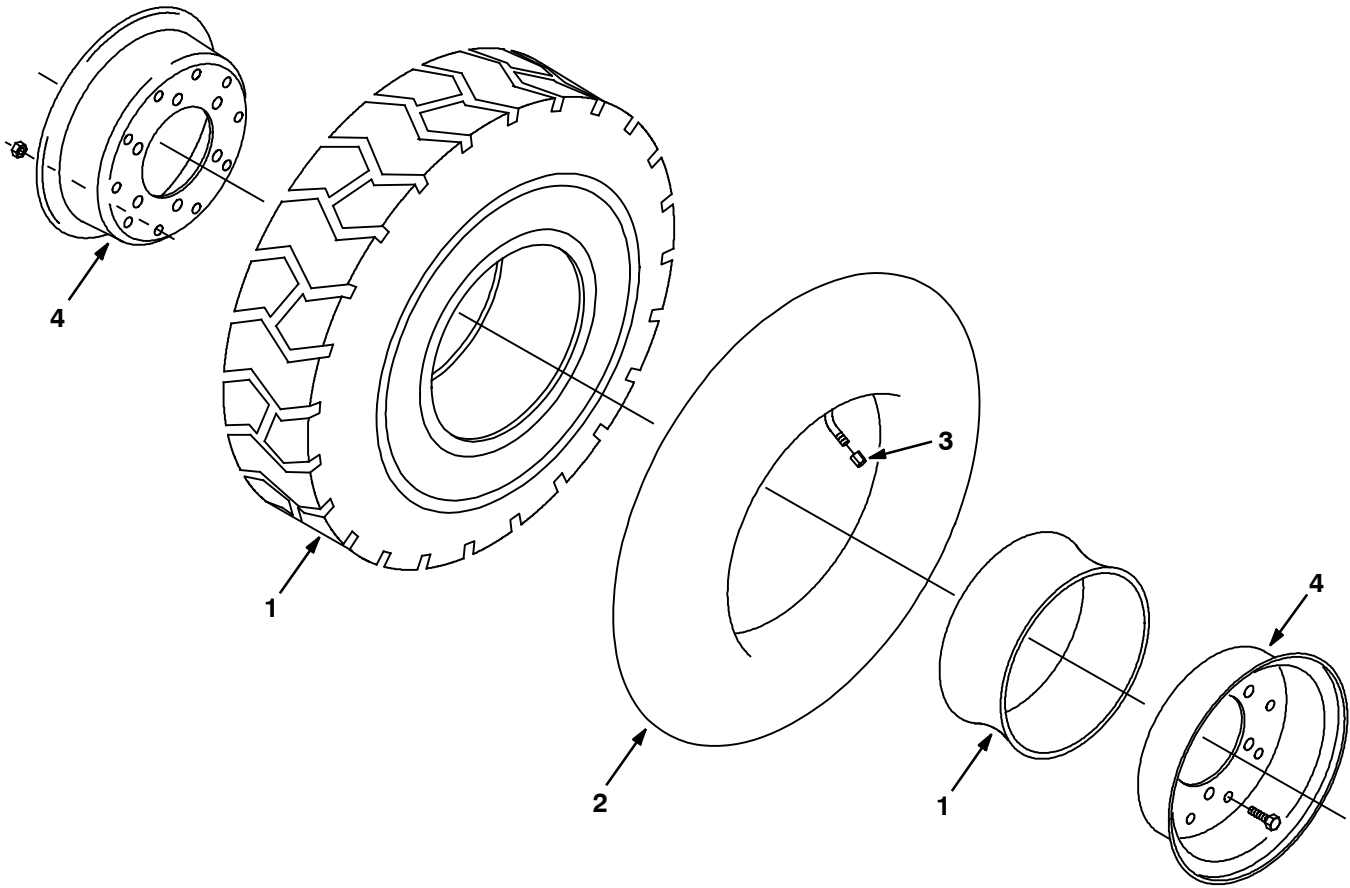


Fig. 39 - Wheel Assembly

	Ref.	Part No.	Serial Number	Description	Qty.
▽		1064126	(004000-) Tire & Rim Assy, Pneu 6.50-10	3
▲	1	1064125	(004000-) Tire & Flap Assy	1
▲	2	64058	(004000-) Tube, Inner	1
▲	3	45786	(004000-) Cap, Valve Stem	1
▲	4	21672	(004000-) Hub Assy	1

Fig. 40 - Brake Pedals Group

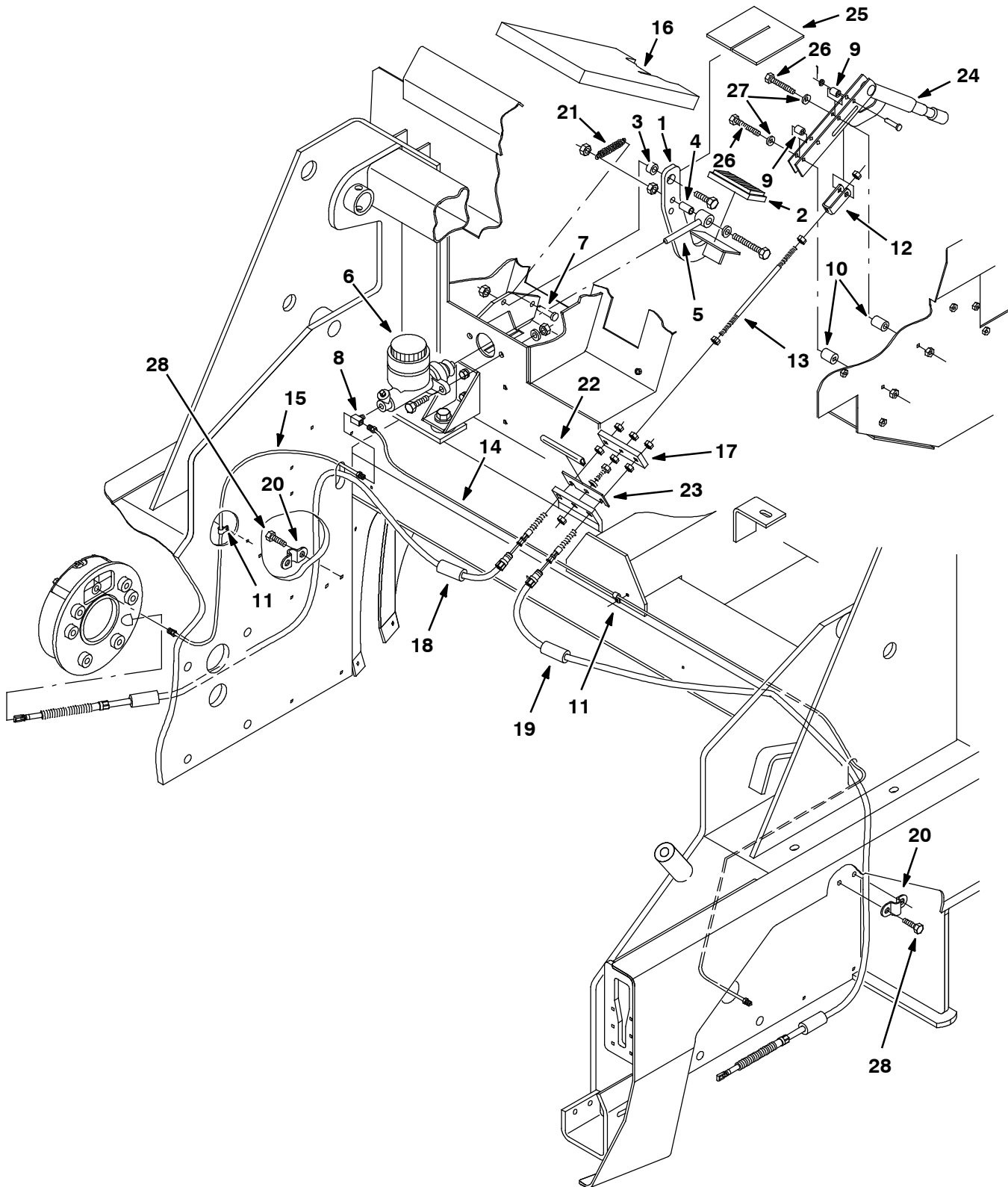


Fig. 40 - Brake Pedals Group

Ref.	Part No.	Serial Number	Description	Qty.	
1	63295	(004000-) Pedal Wldt	1	
2	51109	(004000-) Pad	1	
3	64635	(004000-) Spacer	1	
4	57311	(004000-) Spacer-.50 Od X .055W X 1.0	1	
5	70550	(004000-) Rod Wldt, Push, Brake	1	
▽	6	64950	(004000-) Cylinder, Master Brake	1
▲	374240	(004000-) Cap, Cyl Assy, Master Brake	1	
7	76653	(004000-) Pin, Clevis .375D X 1.000 Lg	1	
8	51483	(004000-) Ftg,Brass,Tee 06lf- 02Pm- 06lf	1	
9	51562	(004000-) Sleeve, .344B .50D .81 Cr.Anc	2	
10	86034	(004000-) Spacer, Brake	2	
11	46236	(004000-) Clamp-Cable, 0.25Dia 0.56Wth	4	
12	76491	(004000-) Bracket, Adjuster, Brake	1	
13	76490	(004000-) Rod-Thread, 2End M08X1.25X10Lg	1	
14	79593	(004000-) Tube Assy, Brake	1	
15	79594	(004000-) Tube Assy, Brake	1	
16	375526	(004000-) Insulation, S/Foam 1.0 Seal Brake Pedal	1	
17	70506	(004000-) Bar, Equalizer	1	
18	64556	(004000-) Cable, Brake, Park	1	
19	64558	(004000-) Cable, Brake, Park	1	
20	65129	(004000-) Clamp, Cable- Brake	2	
21	75575	(004000-) Spring, Tens,0.5Dx.06Wire 2.5L	1	
22	31775	(004000-) Molding, Trim 11-14Ga 4.0	1	
23	74022	(004000-) Strip, Retainer, Brake Cable	1	
24	51545	(004000-) Lever, Brake	1	
25	380717	(004000-) Insulation, Sound Foam	1	
26	39279	(004000-) Screw, Hex, M8 X 1.25 X 70, 8.8	2	
27	32491	(004000-) Washer, Flat, 0.31 Std	2	
28	16735	(004000-) Screw, Hex, M8 X 1.25 X 16, 8.8	4	

Fig. 41 - Directional Pedal Group

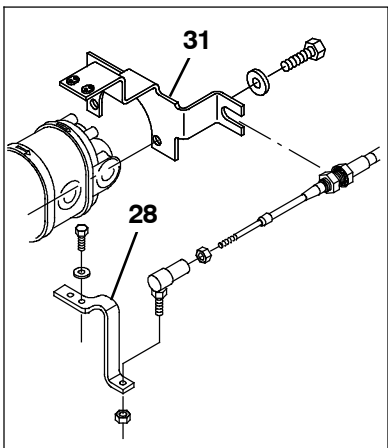
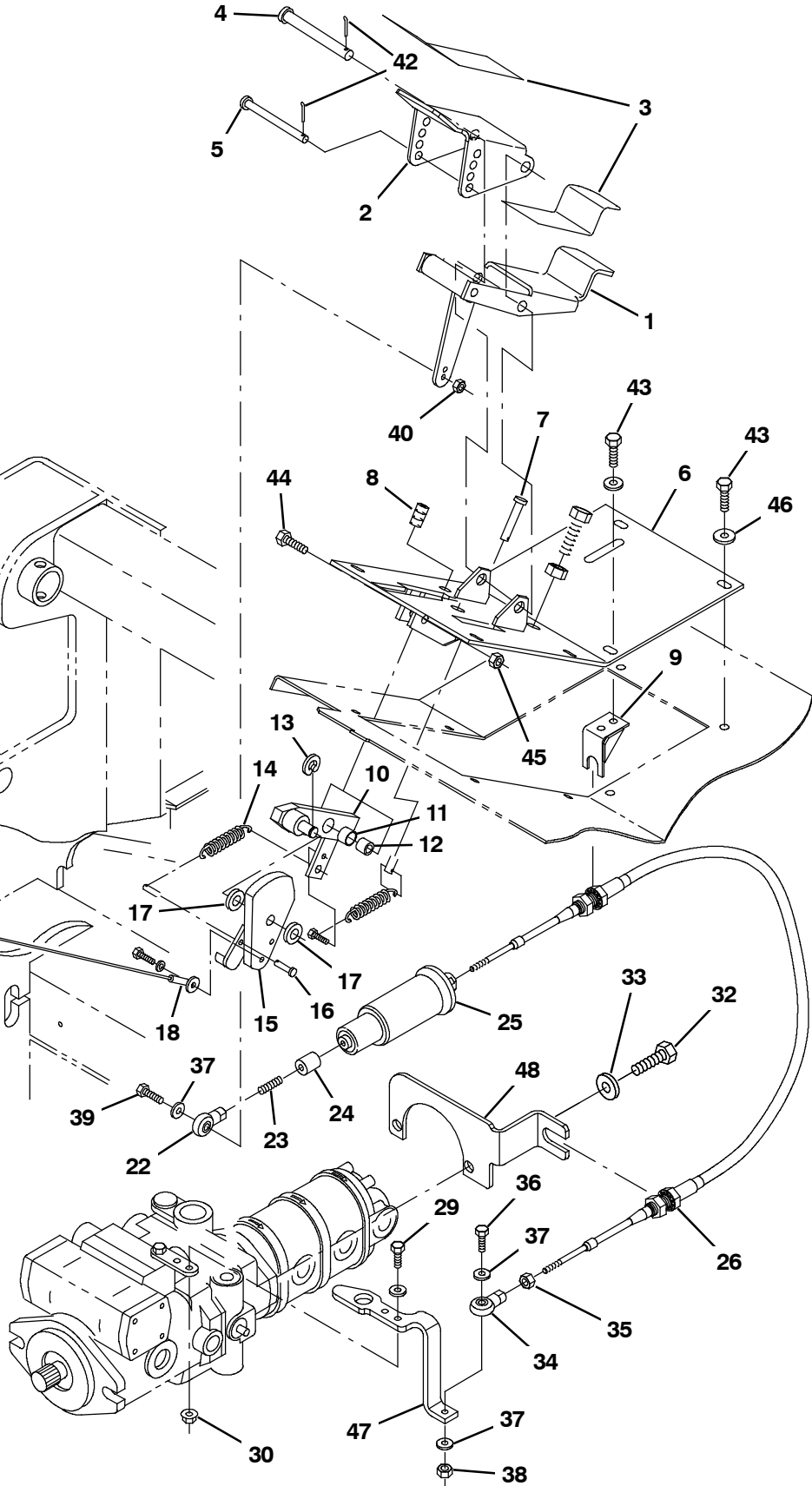
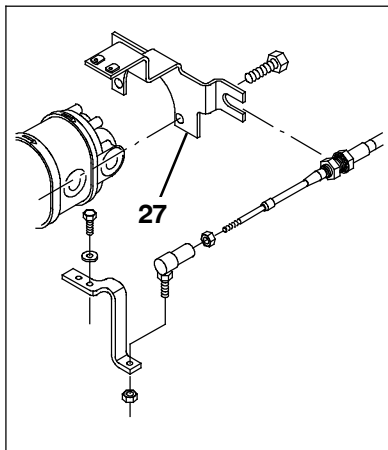


Fig. 41 - Directional Pedal Group

Ref.	Part No.	Serial Number	Description	Qty.
1	380683	(004000-) Pedal Wldt, Propel Lower W/tread	1
2	84103	(004000-) Pedal, Upper W/tread	1
3	82839	(004000-) Pad, Tread	1
4	59668	(004000-) Pin, Clevis .50 Dia X 4.50 Lg	1
5	59672	(004000-) Pin, Clevis .31 Dia X 4.50 Lg	1
6	380566	(004000-) Panel Wldt, Access Floor	1
7	76647	(004000-) Pin, Clevis .375D X 1.312 Lg	1
8	76523	(004000-) Screw-Set M10 X 1.50 2045H	1
9	380567	(004000-) Bracket, Wldt,Cable Mtg	1
10	70747	(004000-) Bar Wldt, Pivot	1
11	07449	(004000-) Bearing, Fiberglide	1
12	74051	(004000-) Sleeve, .408B .62D .53Stl	1
13	86953	(004000-) Ring,Retain,Ex,0.50 Stl Steel	1
14	54222	(004000-) Sprng,Tens,1.00Odx.09Wire 2.8L	2
15	70783	(004000-) Cam	1
16	82168	(004000-) Pin, Clevis .25 Dia, 1.000 Lg.	1
17	41722	(004000-) Washer, .516B .90D .07Cr.	2
18	70749	(004000-) Cable, Speed Control	1
19	14595-1	(004000-) Clevis,Adjust.0.25-28Th.Cad.	1
20	14605	(004000-) Pin, Clevis	1
21	70725	(004000-) Plate	1
22	68866	(004000-) Rod End .250-28 .25Dia	1
23	36971	(004000-) Rod-Thrd, Full .25-28	1
24	380568	(004000-) Spacer, .75D .9L .25-28 Th	1
25	63292	(004000-) Spring, Propel, Centering	1
26	63276	(004000-) Cable, Push,Pull	1
27	9001293	(004000-006184) Bracket Kit, Mtg, Cable, Replmt[800/810]	1
28	380514	(004000-007078) Lever, Pump, Propel	1
29	06943	(004000-) Screw, Hex, M6 X 1.0 X 20, 8.8	2
30	07790	(004000-) Nut, Hex, Flng, M6 X 1.0	2
31	1020982	(006185-007078) Bracket, Mtg, Propel Cable	1
32	46559	(004000-) Screw, Hex, .38-16 X 1.25, NI	2
33	32485	(004000-) Washer, Flat, 0.38 Sae	2
34	68866	(006185-) Rod-End, .25-28rh Fem 0.25b [Teflon]	1
35	32899	(004000-) Nut, Hex, Jam, .25-28	1
36	25046	(006185-) Screw, Hex, .25-20 X 1.00, 5	1
37	32490	(006185-) Washer, Flat, 0.25 Std	5
38	41169	(006185-) Nut, Hex, Lock, .25-20, NI, Ss	1
39	07805	(004000-) Screw, Hex, M6 X 1.0 X 35, Ss	1
40	08712	(004000-) Nut, Hex, Lock, M6 X 1.0, Ss, NI	1
41	08085	(004000-) Pin, Haircotter .31D .058Wire	1
42	08346	(004000-) Pin, Cotter, .125 X 0.75	2
43	12273	(004000-) Screw, Hex, M8 X 1.25 X 20, Ss, NI	9
44	39285	(004000-) Screw, Hex, M10 X 1.5 X 40, 8.8	1
45	41430	(004000-) Nut, Hex, Lock, M10 X 1.5, NI	1
46	1017218	(004000-) Washer, Flat, 0.321b 1.00d .12, Ss	7
47	1039554	(007079-) Arm, Cntrl, Pintle	1
48	1042374	(007079-) Bracket, Mtg, Propel, Cable	1

Fig. 42 - Hydraulic Pumps Group

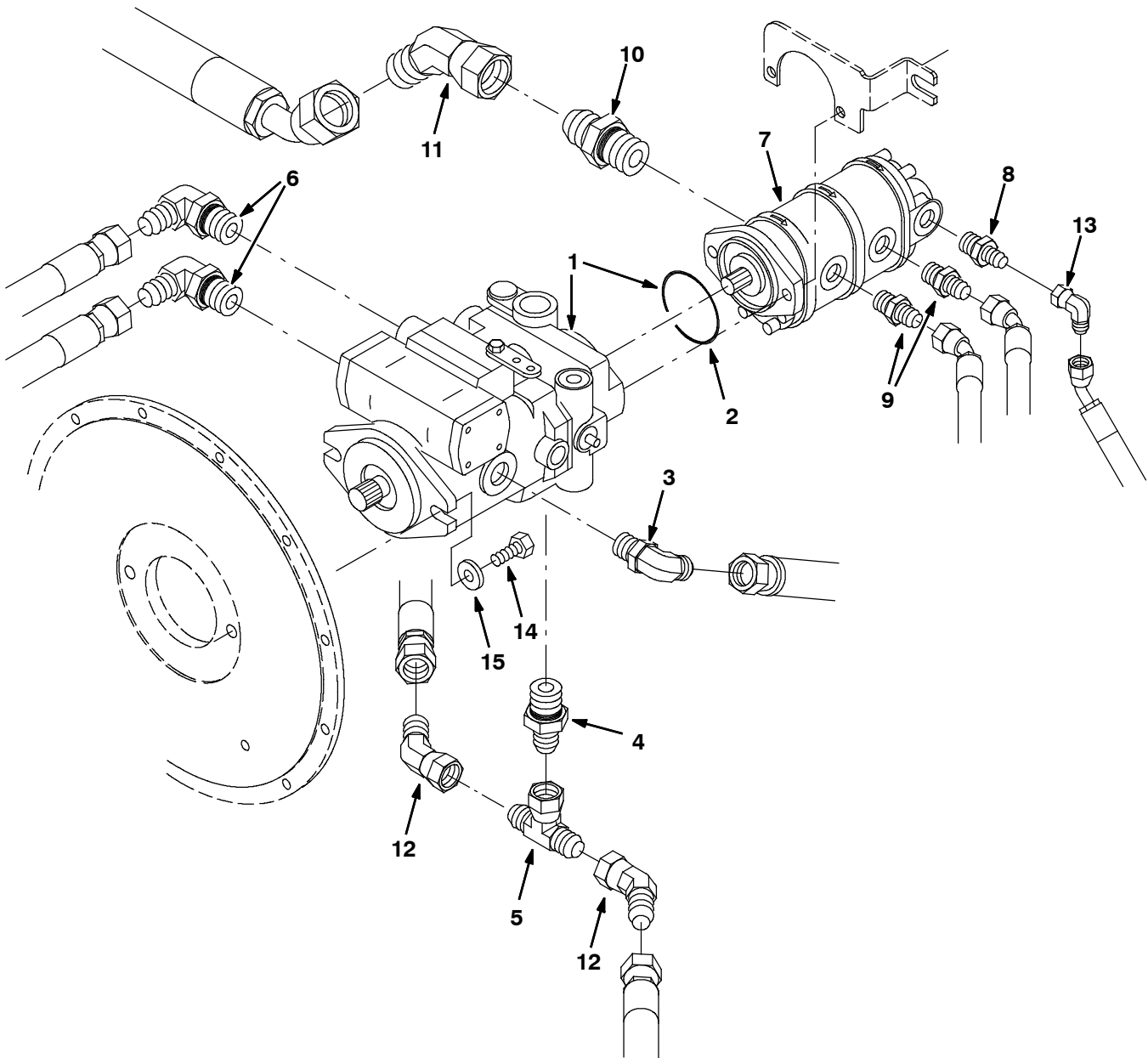
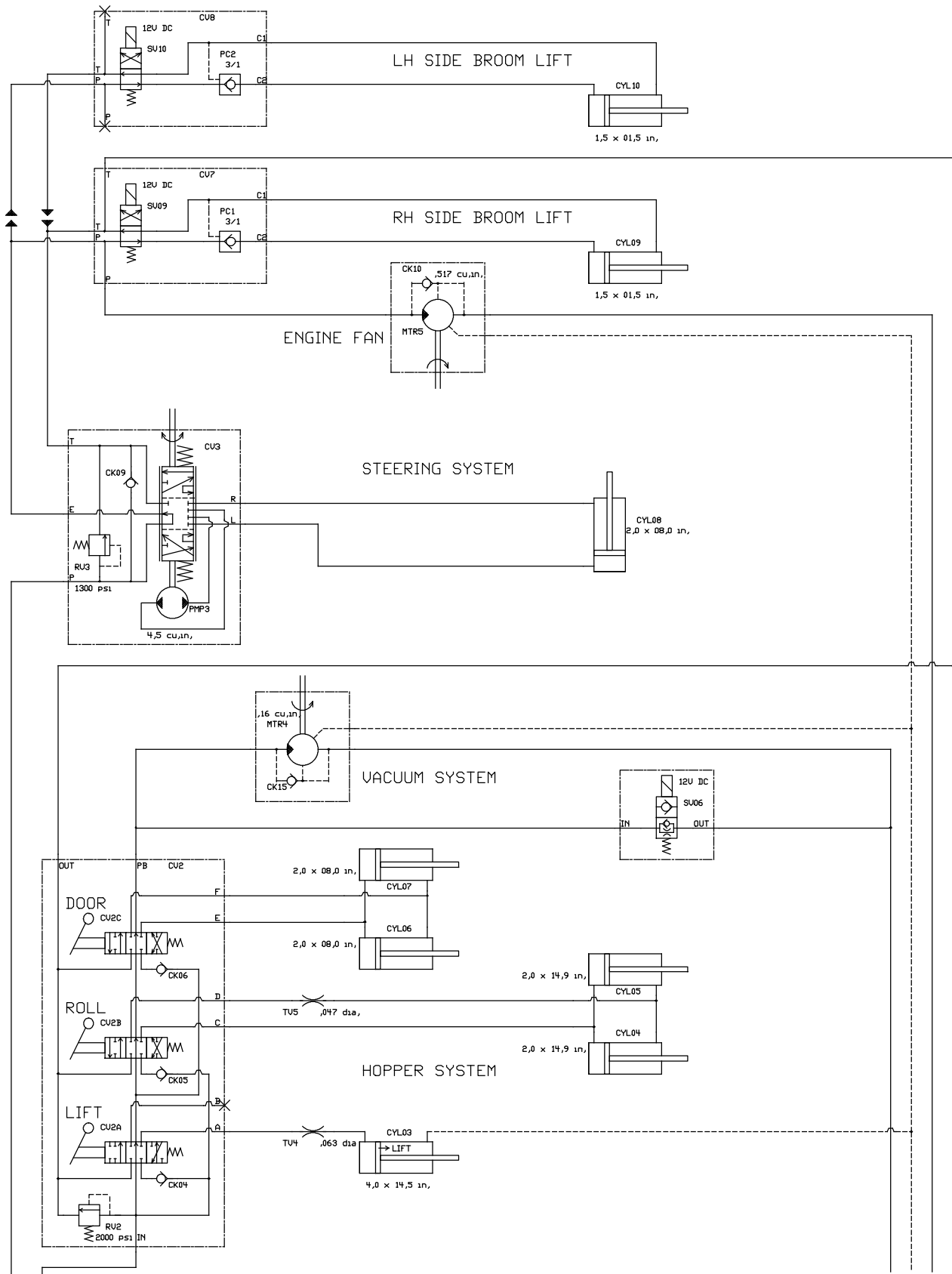


Fig. 42 - Hydraulic Pumps Group

Ref.	Part No.	Serial Number	Description	Qty.	
1	74163	(004000-004586)	Pump-Hyd Piston V (See Breakdowns) (Replaced by 373404)	1	
▽	1	373404	(004587-)	Pump-Hyd Piston V (See Breakdowns)	1
▲	2	65145-1	(004000-)	O-Ring Gland	1
3	46481	(004000-)	Ftg-Hyd E90 Jm12/Om12	1	
4	67310	(004000-)	Ftg-Hyd Str Jm12/Om16	1	
5	62389	(004000-)	Ftg-Hyd Tee Jm12/Jfjm	1	
6	9008645	(004000-007467)	Hose Kit, Rear Drive, Replmt	1	
6	767407	(007468-)	Fitting, Hyd, E90, Fm12/Om16	2	
7	62561	(004000-006008)	Pump-Hyd Gear Ex (See Breakdowns) (Replaced by 373254)	1	
7	373254	(006009-)	Pump-Hyd Gear Ex (See Breakdowns)	1	
8	47508	(004000-)	Ftg-Hyd Str Jm06/Om10	1	
9	56692	(004000-)	Ftg-Hyd Str Jm08/Om10	2	
10	58858	(004000-)	Ftg-Hyd Str Jm20/Om20	1	
11	19544	(004000-)	Ftg-Hyd E45 Jm20/Jf20	1	
12	07934	(004000-)	Ftg-Hyd E45 Jm12/Jf12	2	
13	47504	(004000-)	Ftg-Hyd E90 Jm06/Jf06	1	
14	39810	(004000-)	Screw, Hex, .50-13 X 1.25, 5	2	
15	32486	(004000-)	Washer, Flat, 0.50 Sae	2	

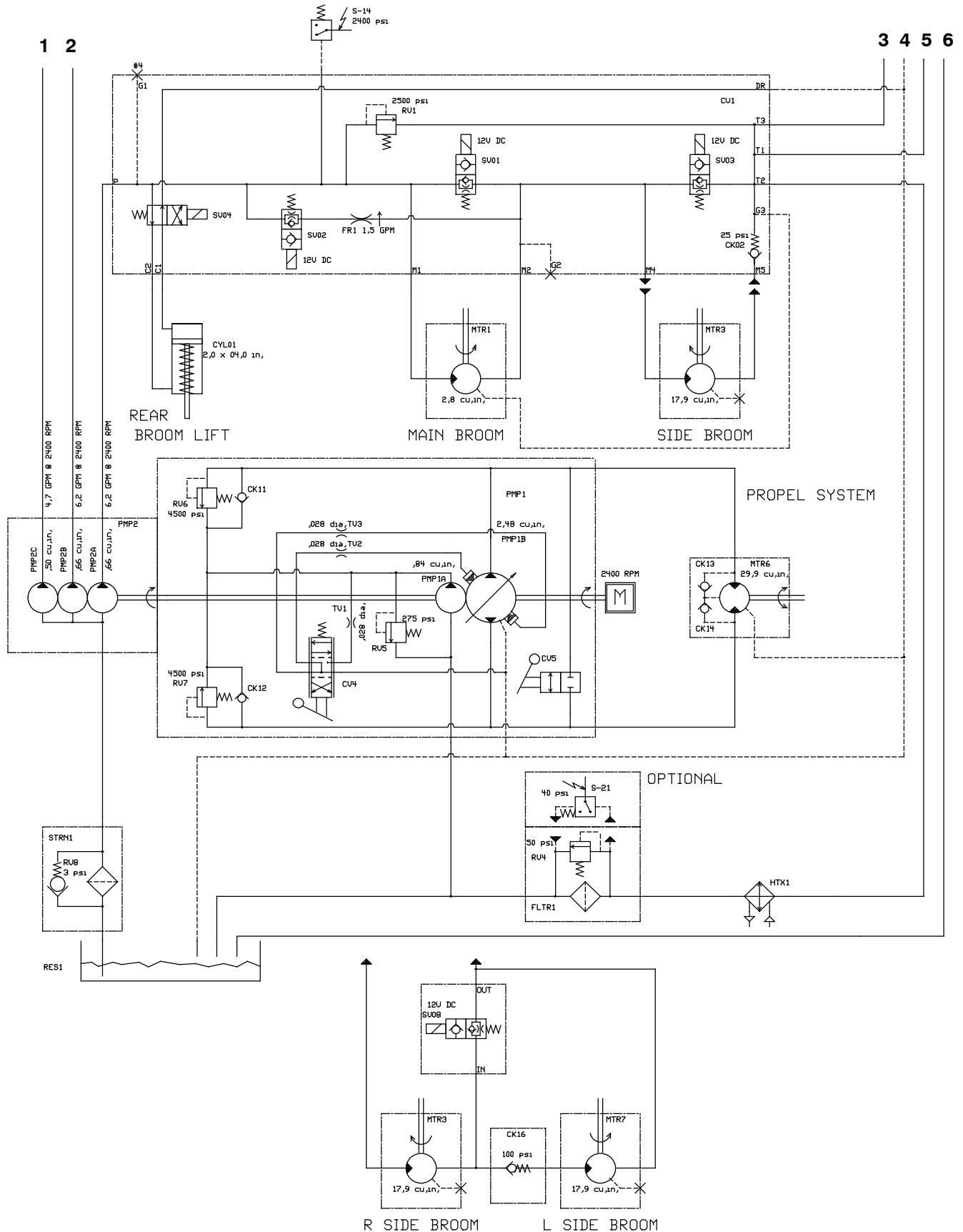
Fig. 43 - Hydraulic Schematic



1 2

3 4 5 6

Fig. 43 - Hydraulic Schematic



09912 - 800

Fig. 44 - Hydraulic Hose Group (004000-004936)

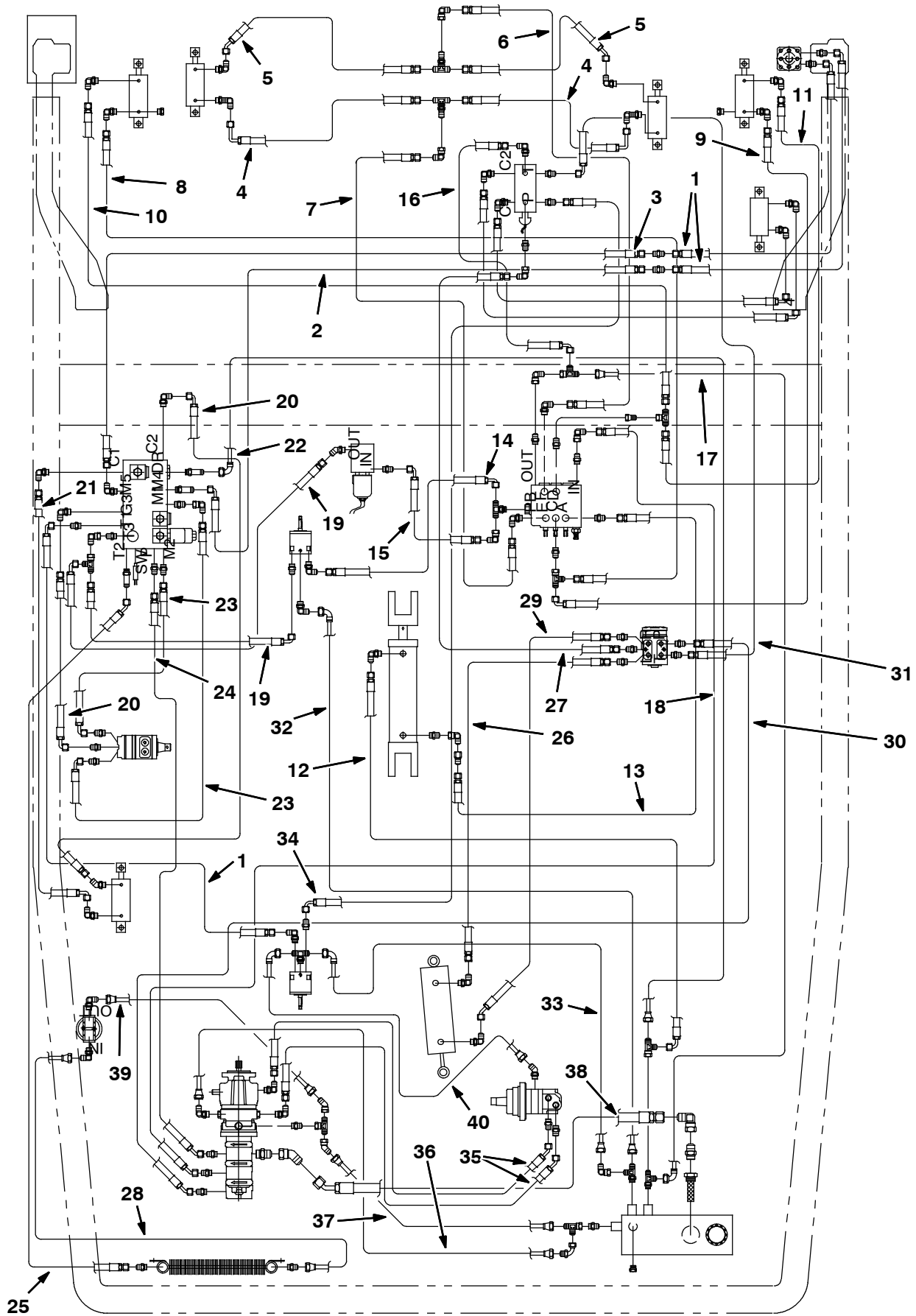


Fig. 44 - Hydraulic Hose Group (004000-004936)

Ref.	Part No.	Serial Number	Description	Qty.
1	65194	(004000-004936)	Hose-Hyd Med06	3
2	65197	(004000-004936)	Hose-Hyd Med08	1
3	65224	(004000-004936)	Hose-Hyd Med08	1
4	65188	(004000-004936)	Hose-Hyd	2
5	57173	(004000-004936)	Hose-Hyd Med04 Jf/J4	2
6	76498	(004000-004936)	Hose-Hyd Ar 04	1
7	79642	(004000-004936)	Hose-Hyd Ar04	1
8	21117	(004000-004936)	Hose-Hyd Ar 04	1
9	21119	(004000-004936)	Hose-Hyd Ar 04	1
10	77641	(004000-004936)	Hose-Hyd Ar 04	1
11	77640	(004000-004936)	Hose-Hyd Ar 04	1
12	71552	(004000-004936)	Hose-Hyd	1
13	55700	(004000-004936)	Hose-Hyd Med04 Jf/Jf	1
14	82843	(004000-004936)	Hose-Hyd Med08 Jf/J9	1
15	82820	(004000-004936)	Hose-Hyd Med78 Jf/J9	1
16	65195	(004000-004936)	Hose-Hyd Med06	1
17	65212	(004000-004936)	Hose-Hyd Low06	1
18	65204	(004000-004936)	Hose-Hyd Med08	1
19	34355	(004000-004936)	Hose-Hyd Med08 Jf/J9	2
20	57963	(004000-004936)	Hose-Hyd Med04	4
21	34379	(004000-004936)	Hose-Hyd Med04	1
22	65213	(004000-004936)	Hose-Hyd Low06	1
23	34360	(004000-004936)	Hose-Hyd Med08 Jf/J9	2
24	33799	(004000-004936)	Hose-Hyd Med08 Jf/J4	1
25	65199	(004000-004936)	Hose-Hyd Med12	1
26	01987	(004000-004936)	Hose-Hyd Med06 Jf/Jf	1
27	16431	(004000-004936)	Hose-Hyd Med06 Jf/Jf	1
28	82835	(004000-004936)	Hose-Hyd Low12 Jf/Jf	1
29	76497	(004000-004936)	Hose-Hyd Med06	1
30	65191	(004000-004936)	Hose-Hyd Med06	1
31	57944	(004000-004936)	Hose-Hyd Med06 Jf/J9	1
32	21729	(004000-004936)	Hose-Hyd Low04 Jf/J9	2
33	65196	(004000-004936)	Hose-Hyd Low 04	1
34	31563	(004000-004936)	Hose-Hyd Med06 Jf/J9	1
35	9008645	(004000-004936)	Hose Kit, Rear Drive, Replmt	1
36	65205	(004000-004936)	Hose-Hyd Low12	1
37	65202	(004000-004936)	Hose-Hyd Low12	1
38	77473	(004000-004936)	Hose-Hyd Suc20 Spcl 22.5	1
39	380675	(004000-004936)	Hose-Hyd Low12 Jf/jf	1
40	02549	(004000-004936)	Hose, Hyd,Low04, Jf04str /Jf04	1

Fig. 45 - Hydraulic Hose Group (004937-)

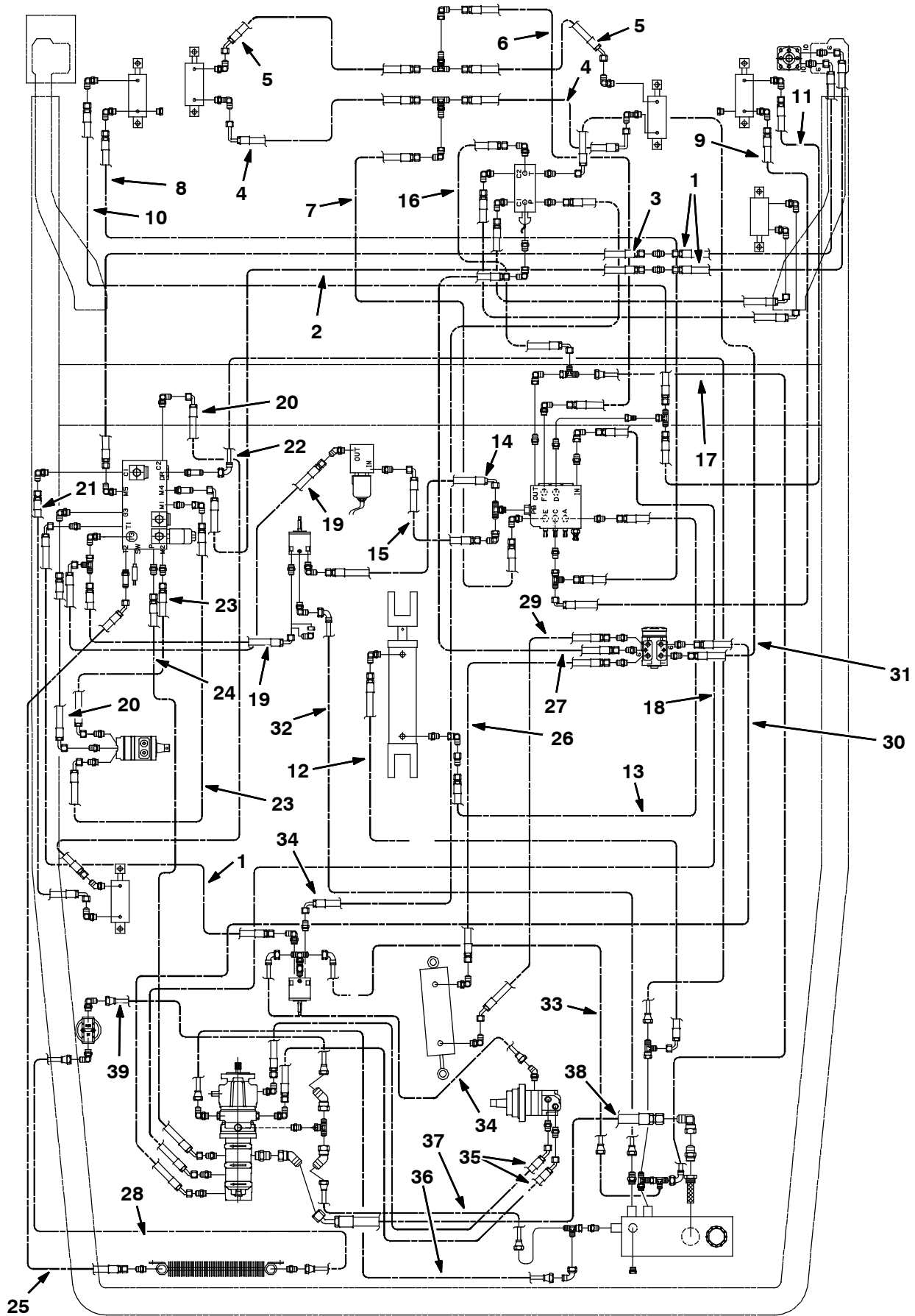


Fig. 45 - Hydraulic Hose Group (004937-)

Ref.	Part No.	Serial Number	Description	Qty.
1	65194	(004937-) Hose-Hyd Med06	3
2	65197	(004937-) Hose-Hyd Med08	1
3	65224	(004937-) Hose-Hyd Med08	1
4	65188	(004937-) Hose-Hyd	2
5	57173	(004937-) Hose-Hyd Med04 Jf/J4	2
6	76498	(004937-) Hose-Hyd Ar 04	1
7	79642	(004937-) Hose-Hyd Ar04	1
8	21117	(004937-) Hose-Hyd Ar 04	1
9	21119	(004937-) Hose-Hyd Ar 04	1
10	77641	(004937-) Hose-Hyd Ar 04	1
11	77640	(004937-) Hose-Hyd Ar 04	1
12	71552	(004937-) Hose-Hyd	1
13	55700	(004937-) Hose-Hyd Med04 Jf/Jf	1
14	82843	(004937-) Hose-Hyd Med08 Jf/J9	1
15	82820	(004937-) Hose-Hyd Med78 Jf/J9	1
16	65195	(004937-) Hose-Hyd Med06	1
17	65212	(004937-) Hose-Hyd Low06	1
18	65204	(004937-) Hose-Hyd Med08	1
19	34355	(004937-) Hose-Hyd Med08 Jf/J9	2
20	57963	(004937-) Hose-Hyd Med04	4
21	34379	(004937-) Hose-Hyd Med04	1
22	65213	(004937-) Hose-Hyd Low06	1
23	34360	(004937-) Hose-Hyd Med08 Jf/J9	2
24	33799	(004937-) Hose-Hyd Med08 Jf/J4	1
25	65199	(004937-) Hose-Hyd Med12	1
26	01987	(004937-) Hose-Hyd Med06 Jf/Jf	1
27	16431	(004937-) Hose-Hyd Med06 Jf/Jf	1
28	82835	(004937-) Hose-Hyd Low12 Jf/Jf	1
29	76497	(004937-) Hose-Hyd Med06	1
30	65191	(004937-) Hose-Hyd Med06	1
31	57944	(004937-) Hose-Hyd Med06 Jf/J9	1
32	21729	(004937-) Hose-Hyd Low04 Jf/J9	2
33	31603	(004937-) Hose-Hyd Low 04	1
34	31563	(004937-) Hose-Hyd Med06 Jf/J9	2
35	9008645	(004937-007467) Hose Kit, Rear Drive, Replmt	1
35	1064170	(007468-) Hose, Hyd, Tc12, Ff12e45/Ff12str, 045.0	2
36	65205	(004937-) Hose-Hyd Low12	1
37	57568	(004937-) Hose-Hyd Low12	1
38	77473	(004937-) Hose-Hyd Suc20 Spcl 22.5	1
39	380675	(004937-) Hose-Hyd Low12 Jf/jf	1

Fig. 46 - Hydraulic Reservoir Group

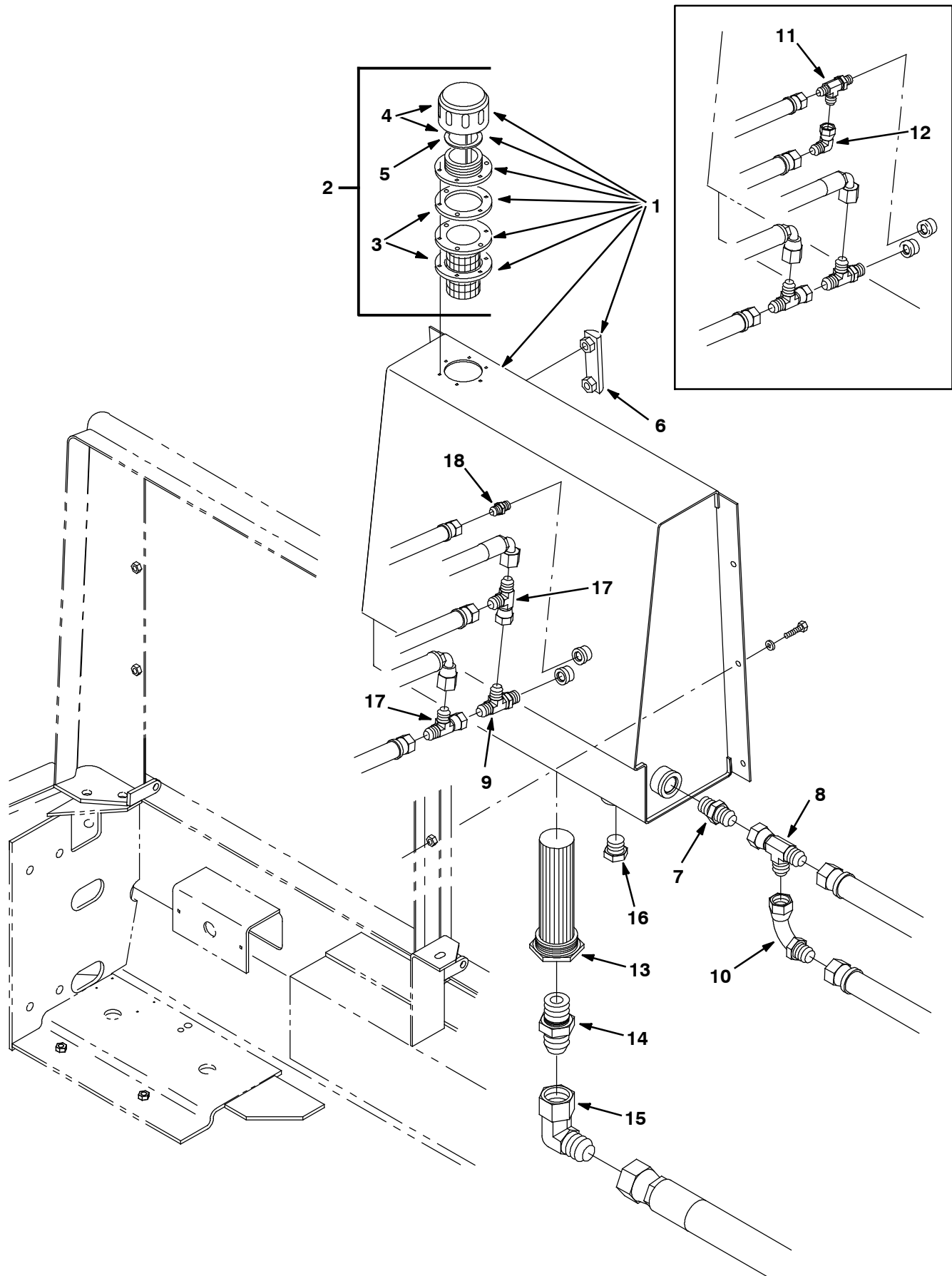


Fig. 46 - Hydraulic Reservoir Group

Ref.	Part No.	Serial Number	Description	Qty.
▽	1	380736	(004000-) Tank Wldt, Hydraulic w/label	1
▲▽	2	34306	(004000-) Breather, Hyd	1
▲▲	3	61288	(004000-) Gasket, Hyd Tank Breather	2
▲▲	4	70072	(004000-) Breather Cap and Gasket	1
▲▲	5	70006	(004000-) Gasket, Hyd Cap	1
▲	6	65215	(004000-) Gauge, Sight Lh	1
	7	42260	(004000-) Ftg-Hyd Str Jm12/Om12	1
	8	40514	(004000-) Ftg-Hyd Tee Jm12Jmjf	1
	9	76316	(004000-) Ftg-Hyd Tee Jm06Jmom	1
	10	57994	(004000-) Ftg-Hyd E90 Special Jm12/Jf12	1
	11	34390	(004000-004936) Ftg-Hyd Tee Jm04Jmom	1
	12	39210	(004000-004936) Ftg-Hyd E90 Jm04/Jf04	1
	13	31613	(004000-) Strainer-Hyd Suction 25-100-03	1
	14	58858	(004000-) Ftg-Hyd Str Jm20/Om20	1
	15	19459	(004000-) Ftg-Hyd E90	1
	16	33817	(004000-) Ftg-Hyd Plg Om12	1
	17	42215	(004937-) Ftg-Hyd Tee Jm06Jmjf	2
	18	55586	(004937-) Fitting, Hyd, Str, Jm04/Om04	1

Fig. 47 - Hydraulic Solenoid Valve Group

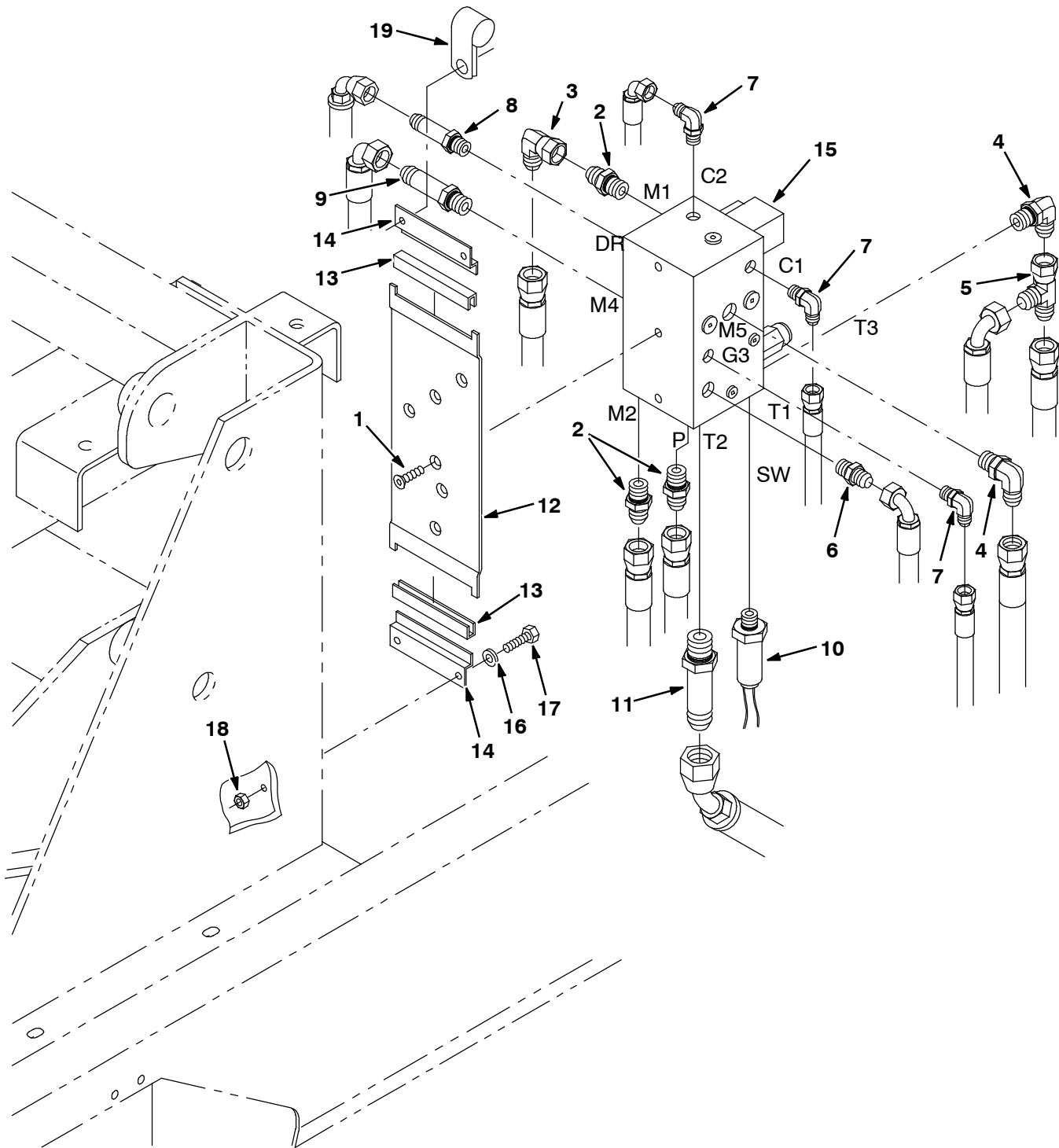


Fig. 47 - Hydraulic Solenoid Valve Group

Ref.	Part No.	Serial Number	Description	Qty.
1	32129	(004000-) Scr Flt M8x1.25 20	3
2	44869	(004000-) Ftg-Hyd Str Jm08/Om08	3
3	17980	(004000-) Ftg-Hyd E90 Jm08/Jf08	1
4	44868	(004000-) Ftg-Hyd E90 Jm08/Om08	2
5	45482	(004000-) Ftg-Hyd Tee Jm08Jmjf	1
6	56690	(004000-) Ftg-Hyd Str Jm06/Om06	1
7	77097	(004000-) Ftg-Hyd E90 Jm04/Om04	3
8	59577	(004000-) Ftg-Hyd Str Jm06Om06L	1
9	31605	(004000-) Ftg-Hyd Str Jm08Om08L	1
10	77575	(004000-) Switch Assy, Pressure, Hyd	1
11	57993	(004000-) Ftg-Hyd Str Jm12Om12L	1
12	64228	(004000-) Plate, Mtg, Valve, Solenoid	1
13	10911	(004000-) Isolator, Vac Fan	2
14	06146	(004000-) Bracket, Mounting	2
15	84014	(004000-007338) Valve-Hyd, Solenoid (See Breakdowns)	1
15	1049209	(007339-) Valve, Cntrl, Hyd, Solenoid, 12vdc 08gpm (See Breakdowns)	1
16	19066	(004000-) Washer, Flat, #10	4
17	06943	(004000-) Screw, Hex, M6 X 1.0 X 20, 8.8	4
18	07790	(004000-) Nut, Hex, Flng, M6 X 1.0	4
19	69234	(004000-) Clamp, Cable, Stl, 1.00d X 0.75w, 1h	1

Fig. 48 - Hydraulic Lift Valve Group

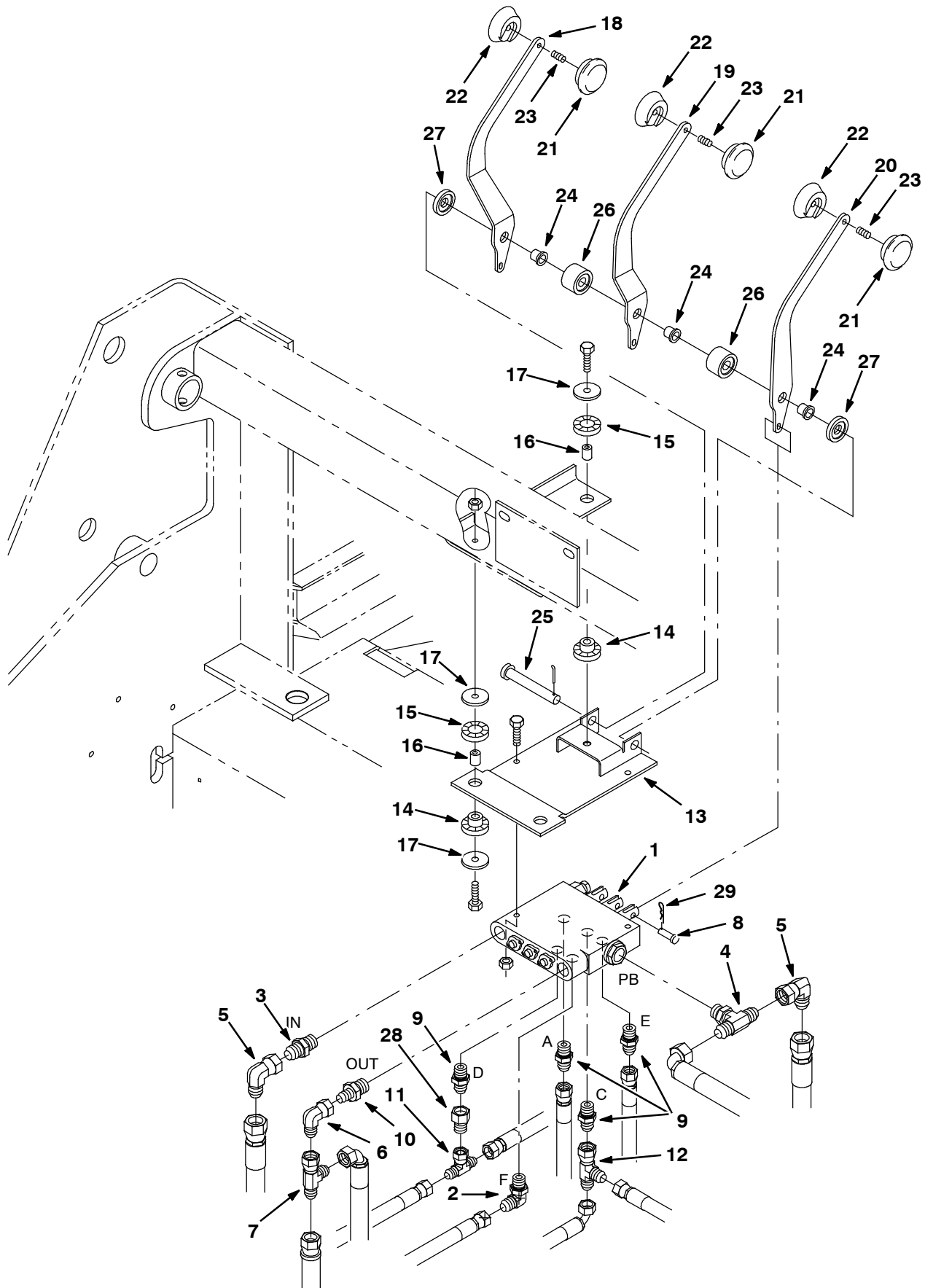


Fig. 48 - Hydraulic Lift Valve Group

Ref.	Part No.	Serial Number	Description	Qty.
1	375563	(004000-) Valve, Hyd Control Man (See Breakdowns)	1
2	47638	(004000-) Ftg-Hyd E90 Jm04/Om06	1
3	44869	(004000-) Ftg-Hyd Str Jm08/Om08	1
4	49933	(004000-) Ftg-Hyd Tee Jm08Omjm	1
5	17980	(004000-) Ftg-Hyd E90 Jm08/Jf08	2
6	47504	(004000-) Ftg-Hyd E90 Jm06/Jf06	1
7	42215	(004000-) Ftg-Hyd Tee Jm06Jmjf	2
8	77488	(004000-) Pin, Clevis .18 Dia.X .62 Lg	3
9	55685	(004000-) Ftg-Hyd Str Jm04/Om06	3
10	52402	(004000-) Ftg-Hyd Str Jm06/Om08	1
11	57411	(004000-) Ftg-Hyd Tee Jm04Jfjm	1
12	57988	(004000-) Ftg-Hyd Tee Jm04Jmjf	1
13	77485	(004000-) Bracket Wldt, Mounting, Valve	1
14	62173	(004000-) Bushing, Isolator-Inner,Rbr.	3
15	62172	(004000-) Ring	3
16	64905	(004000-) Sleeve, .259B .38D .62 Dom	3
17	1014491	(004000-) Washer, Flat, 0.28b 1.38d .12, Hrs Pl	5
18	77491	(004000-) Handle, Rh	1
19	77492	(004000-) Handle, Center	1
20	77493	(004000-) Handle, Lh	1
21	64434	(004000-) Knob	3
22	70827	(004000-) Knob	3
23	70847	(004000-) Screw Set M 6X1.020	3
24	36556	(004000-) Bearing, Nylon .50B	3
25	06474A	(004000-) Pin,Clevis,0.50 Dia.X 3.50 Lg	1
26	77498	(004000-) Spacer, .90L	2
27	77499	(004000-) Spacer, .25 L	2
28	16455	(004000-) Ftg-Hyd Rst JM04/.047	1
29	08085	(004000-) Pin, Haircotter .31d .058wire	3

Fig. 49 - Brush Group, Side

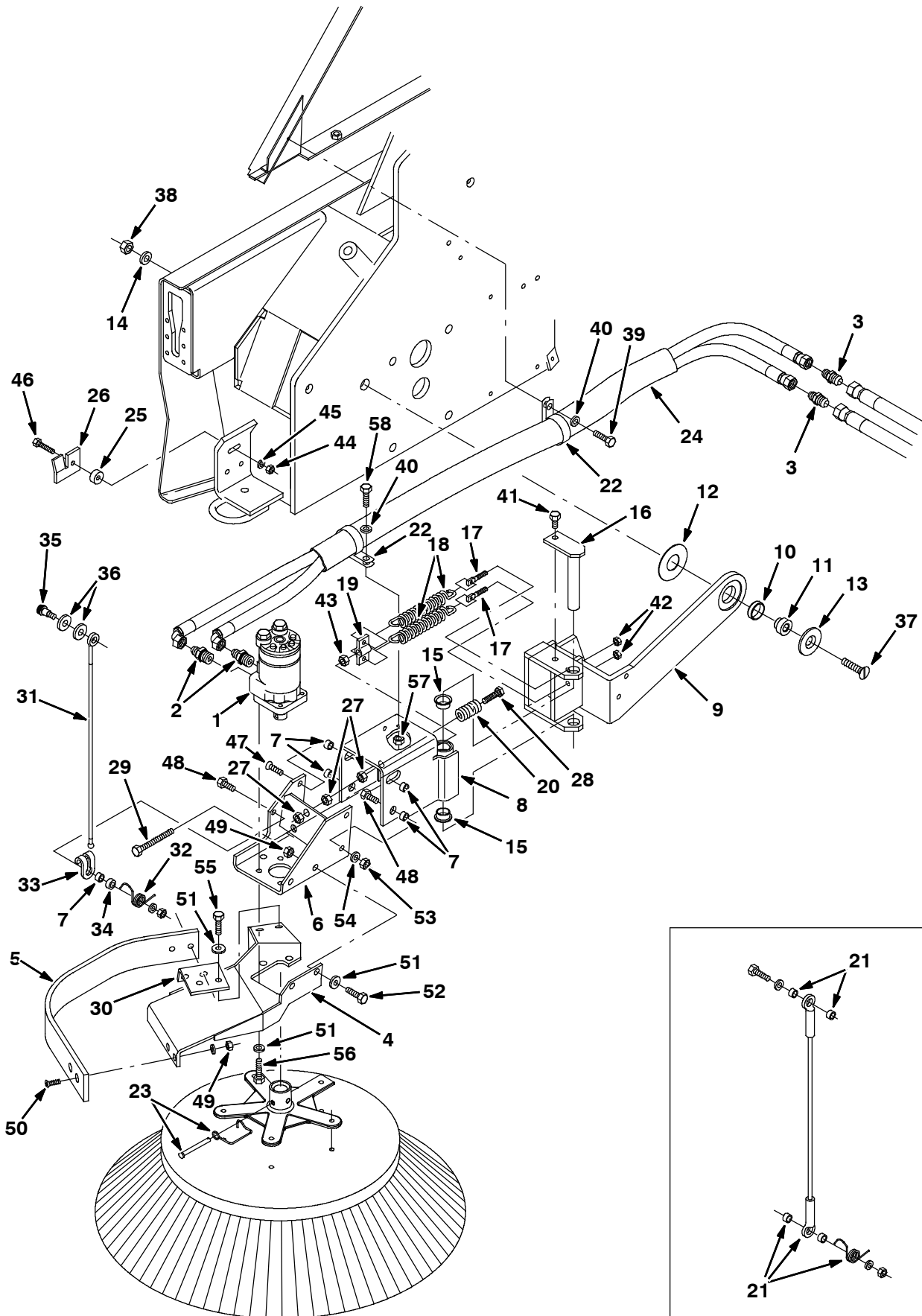


Fig. 49 - Brush Group, Side

Ref.	Part No.	Serial Number	Description	Qty.
1	79781	(004000-007797)	Motor, Hyd, (See Breakdowns) (Replaced by 9009502)	1
1	1057338	(007798-)	Motor, Hyd, Gear, Int 17.9 Bi-Dir 2500	1
2	47508	(004000-)	Ftg-Hyd Str Jm06/Om10	2
3	42207	(004000-)	Ftg-Hyd Str Jm08/Jm06	2
4	391841	(004000-)	Bracket Wldt, Mtg, Guard, Side Brush	1
5	21238	(004000-)	Guard, Side Brush	1
6	65168	(004000-)	Bracket, Mounting, Motor	1
7	65174	(004000-)	Spacer	5
8	65170	(004000-)	Bracket, Pivot	1
9	70521	(004000-)	Bracket, Lift	1
10	70627	(004000-)	Bearing	1
11	70526	(004000-)	Shaft, Pivot	1
12	70524	(004000-)	Washer, 1.300B 3.000	1
13	70525	(004000-)	Spacer	1
14	36328	(004000-)	Washer-Belleville .50 Pltd	1
15	04761	(004000-)	Bearing, Flange .875 Bore	2
16	70431	(004000-)	Pin	1
17	70626	(004000-)	Bolt-Eye M8-1.25	2
18	65160	(004000-)	Spring, Extension	2
19	65173	(004000-)	Bracket, Spring	1
20	65180	(004000-)	Spring, Comp	1
21	375400	(004000- xxxxxx)	Replacement Kit, Rh. Side Brush Cable	1
22	67366	(004000-)	Clamp, Cable, Stl, 1.0x2.0x0.62w, 1hole	1
23	84581	(004000-)	Pin Assy, Side Brush W/clip	1
24	75028	(004000-)	Sleeve, Nylon #27 65.0L	1
25	74059	(004000-)	Spacer	1
26	74060	(004000-)	Bracket, Angle	1
27	07787	(004000-)	Nut, Hex, Std, M10 X 1.5, Ss	3
28	06537	(004000-)	Screw-Hex M10X1.5	1
29	76438	(004000-)	Screw-Hex M10X1.5 90 Full Thd	1
30	21215	(004000-)	Plate, Angle	1
31	375401	(xxxxxx-)	Cable	1
32	375402	(xxxxxx-)	Spring, Torsion, Rh	1
33	1017898	(xxxxxx-)	Hook, Cable, .44d Ball	1
34	375404	(xxxxxx-)	Spacer	1
35	36758	(xxxxxx-)	Bolt, Shld, .50d X 0.50, .38-16	1
36	32486	(xxxxxx-)	Washer	2
37	20192	(004000-)	Screw, Flt, .50-13 X 2.00, Al	1
38	32985	(004000-)	Nut, Hex, Lock, .50-13, NI	1
39	12459	(004000-)	Screw, Hex, M6 X 1.0 X 20, Fmg	1
40	41185	(004000-)	Washer, Belleville, .25	1
41	09291	(004000-)	Screw, Hex, M10 X 1.5 X 20, Ss	1
42	39311	(004000-)	Nut, Hex, Std, M8 X 1.25	2
43	39312	(004000-)	Nut, Hex, Std, M10 X 1.5	1
44	08709	(004000-)	Nut, Hex, Lock, M8 X 1.25, NI	1
45	32496	(004000-)	Screw, Pan, #10-24 X 0.50, Fmg	1
46	41342	(004000-)	Screw, Hex, M8 X 1.25 X 40, 8.8	1
47	06535	(004000-)	Screw, Flt, M10 X 1.5 X 35, 10.9	1
48	39284	(004000-)	Screw, Hex, M10 X 1.5 X 35, 8.8	3
49	07792	(004000-)	Nut, Hex, Flng, M10 X 1.5	8
50	09081	(004000-)	Screw, Flt, M10 X 1.5 X 25, 10.9	4

Fig. 49 - Brush Group, Side

Ref.	Part No.	Serial Number	Description	Qty.
51	32485	(004000-) Washer, Flat, 0.38 Sae	9
52	39283	(004000-) Screw, Hex, M10 X 1.5 X 25, 8.8	2
53	41430	(004000-) Nut, Hex, Lock, M10 X 1.5, NI	4
54	32492	(004000-) Washer, Flat, 0.38 Std	7
55	09770	(004000-) Screw, Hex, M10 X 1.5 X 25, Ss, NI	4
56	34195	(004000-) Screw, Hex, .38-16 X 1.00, NI	4
57	07790	(004000-) Nut, Hex, Flng, M6 X 1.00	1
58	06944	(004000-) Screw, Hex, M6 X 1.0 X 25, 8.8	1

Fig. 50 - Brush Lift Group, Side

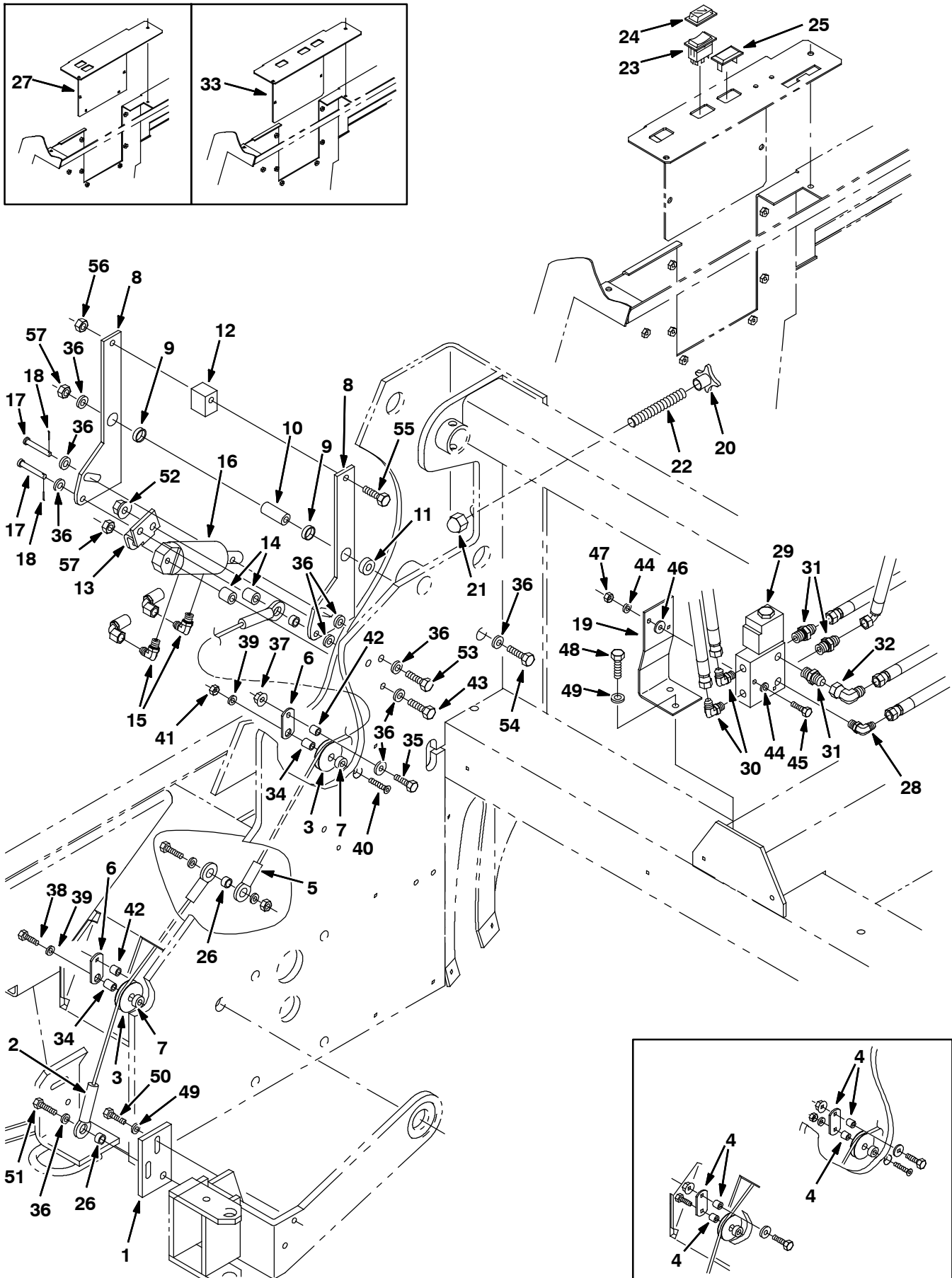


Fig. 50 - Brush Lift Group, Side

Ref.	Part No.	Serial Number	Description	Qty.
1	77669	(004000-) Plate Wldt	1
2	70532	(004000-) Cable, Glv .25d 021.2l .63eye /.63eye	1
3	74391	(004000-) Pulley Assy, Cable, 1.5 Dia	2
4	375416	(004000- xxxxxx)	Replacement Kit, Roller, Side Brush Lift	4
5	23936	(004000-) Cable, Glv .25d 016.8l .64eye /.64eye	1
6	375415	(xxxxxx-) Plate, Side Brush Roller	2
7	73737	(004000-) Sleeve, .375B .75D .32 Stl	2
8	77584	(004000-) Plate	2
9	74090	(004000-) Bearing	2
10	77597	(004000-) Sleeve, 0.406B 0.75D1.80 Stl	1
11	77727	(004000-) Sleeve, .438B 1.00D .35 Stl	1
12	77459	(004000-) Spacer	1
13	77601	(004000-) Plate, Angle	1
14	77600	(004000-) Sleeve,0.406B .750D .800 Stl	1
15	77097	(004000-) Ftg-Hyd E90 Jm04/Om04	2
16	1041034	(004000-) Cylinder, Hyd, 1.5b 06.3l 01.50strk 2500	1
17	51813	(004000-) Pin,Clevis,0.37 Dia.X 2.12 Lg	2
18	08179	(004000-) Pin, Cotter .094X1.00	2
19	21231	(004000-) Plate	1
20	77605	(004000-) Knob, Plastic	1
21	41131	(004000-) Nut Low Crown .62-18	1
22	77682	(004000-) Rod, Thread	1
23	65561	(004000-) Switch Rocker Spst	1
24	57807	(004000-) Cover, Rocker Switch Seal	1
25	57772	(004000-) Plate-Cover	1
26	65174	(004000-) Spacer	3
27	21109	(004000-004302)	Plate, Cover	1
28	56820	(004000-) Ftg-Hyd E90	1
29	84016	(004000-007338)	Valve, Hyd Solenoid (See Breakdowns)	1
29	1049211	(007339-) Valve, Cntrl, Hyd, Solenoid, 12vdc 06gpm (See Break-downs)	1
30	77097	(004000-) Ftg-Hyd E90 Jm04/Om04	2
31	56690	(004000-) Ftg-Hyd str	3
32	47504	(004000-) Ftg-Hyd E90	1
33	375666	(004303-006008)	Plate, Cover	1
34	80395	(xxxxxx-) Sleeve	2
35	76570	(xxxxxx-) Screw, Hex, M8 X 1.25 X 30, 8.8	2
36	32492	(xxxxxx-) Washer, Flat, 0.38, Std	2
37	07791	(xxxxxx-) Nut, Hex, Flng, M8 X 1.25	2
38	41342	(xxxxxx-) Screw, Hex, M8 X 1.25 X 40, 8.8	2
39	33924	(xxxxxx-) Washer, Flat, M10, Ss	2
40	12317	(xxxxxx-) Screw, Hex, M10 X 1.50 X 30, Ss	1
41	08714	(xxxxxx-) Nut, Hex, Lock, M10 X 1.5, NI, Ss	1
42	222460	(xxxxxx-) Sleeve, P/M, 0.496d 0.318b 0.50l 430ss	2
43	06965	(004000-) Screw, Hex, M10 X 1.5 X 80, 8.8	1
44	19066	(004000-) Washer, Flat, #10	8
45	06548	(004000-) Screw, Hex, M6 X 1.0 X 60, 8.8	2
46	63416	(004000-) Washer, Rbr, .12 0.31b 0.88d	2
47	08708	(004000-) Nut, Hex, Lock, M6 X 1.0, NI	2
48	16931	(004000-) Screw, Hex, M8 X 1.25 X 20, 8.8	2
49	32491	(004000-) Washer, Flat, 0.31 Std	3
50	09010	(004000-) Screw, Hex, M8 X 1.25 X 25, Ss	2

Fig. 50 - Brush Lift Group, Side

Ref.	Part No.	Serial Number	Description	Qty.
51	39283	(004000-) Screw, Hex, M10 X 1.5 X 25, 8.8	2
52	07792	(004000-) Nut, Hex, Flng, M10 X 1.5	2
53	39284	(004000-) Screw, Hex, M10 X 1.5 X 35, 8.8	1
54	03193	(004000-) Screw, Hex, M10 X 1.5 X 90, 8.8	1
55	06957	(004000-) Screw, Hex, M8 X 1.25 X 60, 8.8	1
56	08709	(004000-) Nut, Hex, Lock, M8 X 1.25, NI	1
57	41430	(004000-) Nut, Hex, Lock, M10 X 1.5, NI	1

Fig. 51 - Brush Drive Group, Main

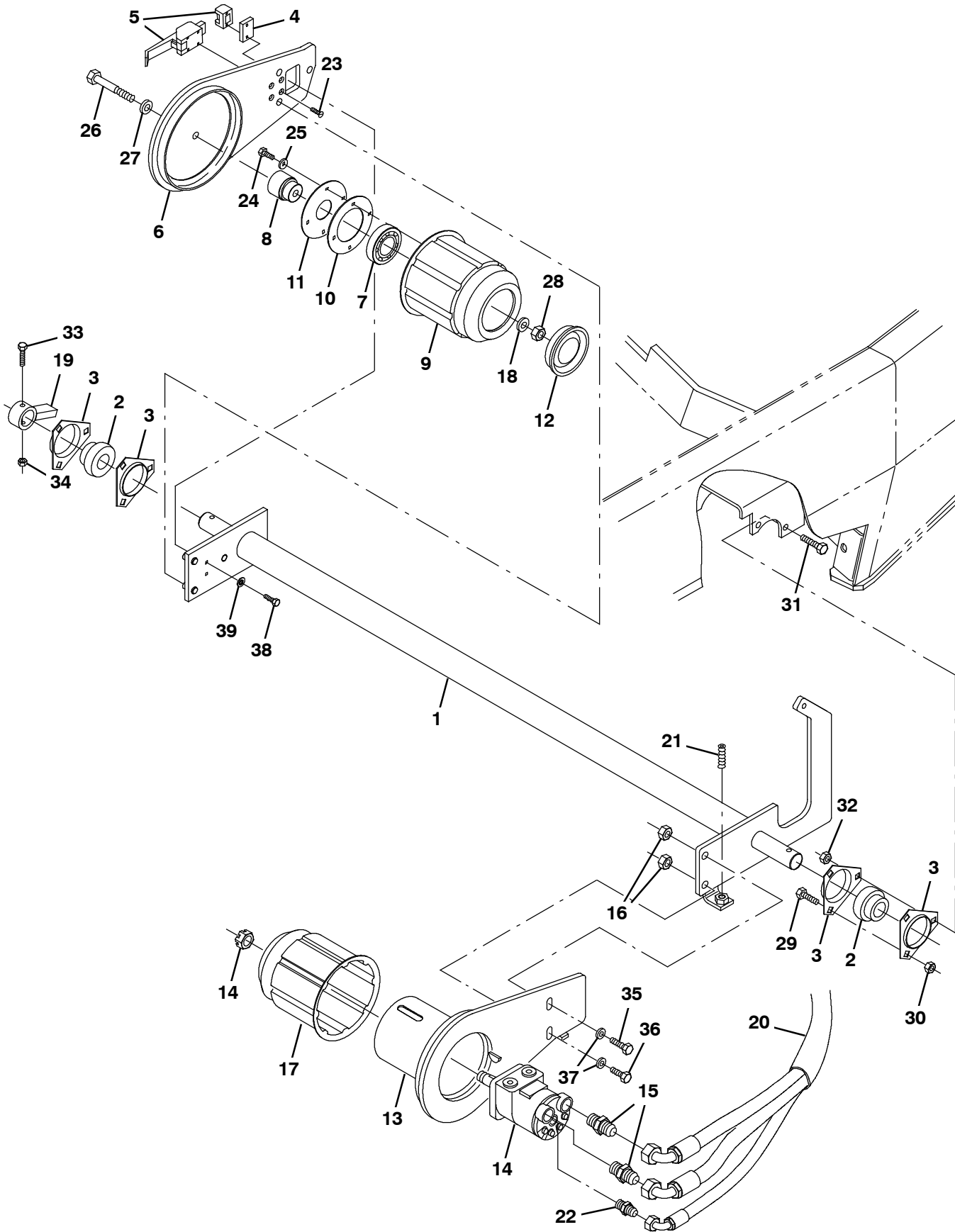


Fig. 51 - Brush Drive Group, Main

Ref.	Part No.	Serial Number	Description	Qty.
1	63436	(004000-) Shaft Wldt, Main Brush	1
2	51448	(004000-) Bearing&Clr , 1.25B 2.44D 1.41W	2
3	51449	(004000-) Flange,Brg,3 Hole	4
4	63541	(004000-) Plate, Mtg, Latch	1
5	54878	(004000-) Latch	1
6	63449	(004000-) Arm Wldt, M Br, Idler	1
7	24899	(004000-) Bearing-Ball,1.38B 2.83D 0.67W	1
8	30251	(004000-) Shaft, Idler	1
9	55779	(004000-) Plug Wldt, Idler	1
10	30252	(004000-) Strip, Retainer, Bearing	1
11	30253	(004000-) Plate, Seal	1
12	30255	(004000-) Plug, Tube	1
13	63450	(004000-) Arm Wldt, M Br, Motor	1
14	53434	(004000-007797) Motor-Hyd Gear In (See Breakdowns) (Replaced by 9009503)	1
14	1057337	(007798-) Motor, Hyd, Gear, Int 02.8 Bi-Dir 2500	1
15	44869	(004000-) Ftg-Hyd Str Jm08/Om08	2
16	07793	(004000-) Nut, Hex, Flng, M12 X 1.75	2
17	87631	(004000-007797) Plug Weld, Brush Drive, Sweep	1
17	1057643	(007798-) Plug Wldt, Drive, Brush	1
18	51564	(004000-) Washer, .531B 1.75D .12Cr.Znc	1
19	64811	(004000-) Bar Wldt, Brush Pressure	1
20	34330	(004000-) Sleeve, Hyd 30"	1
21	75612	(004000-) Screw, Set	1
22	55586	(004000-) Ftg-Hyd Str Jm04/Om04	1
23	09120	(004000-) Screw, Flt, M5 X 0.8 X 16, 10.9	4
24	12274	(004000-) Screw, Hex, M6 X 1.0 X 20, 8.8, NI	4
25	32483	(004000-) Washer, Flat, 0.25 Sae	4
26	32895	(004000-) Screw, Hex, .50-13 X 3.50, 5	1
27	36328	(004000-) Washer, Belleville, .50	1
28	02931	(004000-) Nut, Hex, Lock, .50-13, NI, Ss	1
29	10819	(004000-) Bolt, Carriage, .38-16 X 1.00	2
30	50902	(004000-) Nut, Hex, Lock, .38-16, NI	2
31	39283	(004000-) Screw, Hex, M10 X 1.5 X 25, 8.8	4
32	07792	(004000-) Nut, Hex, Flng, M10 X 1.5	4
33	06957	(004000-) Screw, Hex, M8 X 1.25 X 60, 8.8	1
34	08709	(004000-) Nut, Hex, Lock, M8 X 1.25, NI	1
35	06968	(004000-) Screw, Hex, M12 X 1.75 X 35, 8.8	1
36	41346	(004000-) Screw, Hex, M12 X 1.75 X 30, 8.8	1
37	32486	(004000-) Washer, Flat, 0.50 Sae	2
38	12316	(004000-) Screw, Hex, M5 X 0.80 X 25, Ss	2
39	07514	(004000-) Washer, Lock, Int, 10, Ss	2

Fig. 52 - Brush Lift Group, Main

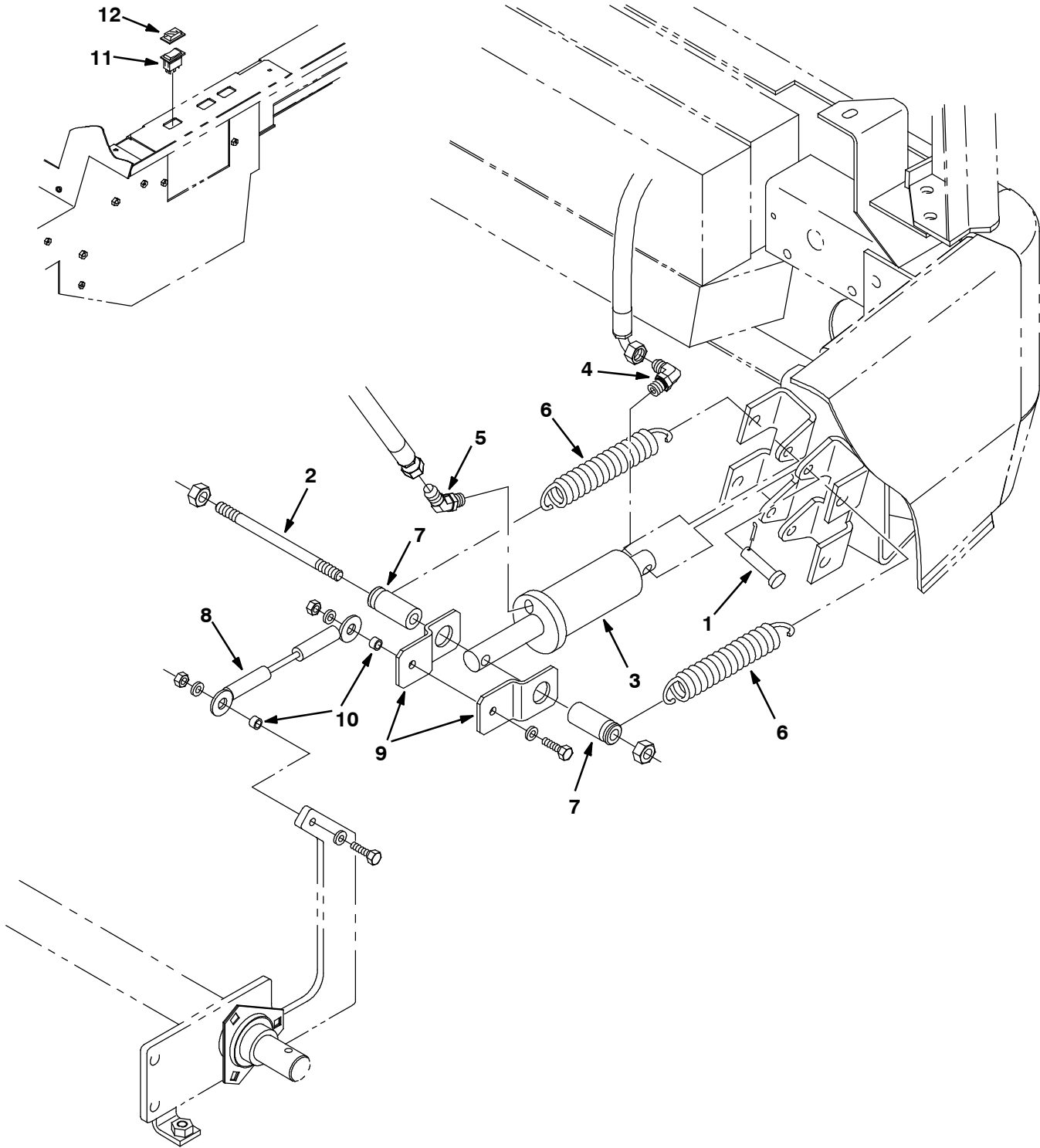


Fig. 52 - Brush Lift Group, Main

Ref.	Part No.	Serial Number	Description	Qty.
1	51534	(004000-) Pin,Clevis,0.50 Dia.X 2.00 Lg	1
2	1012657	(004000-) Rod, Threaded .50-13	1
3	1038176	(004000-) Cylinder, Hyd, 2.0b 08.0l 04.00strk 2500	1
4	77097	(004000-) Ftg-Hyd E90 Jm04/Om04	1
5	34359	(004000-) Ftg-Hyd E45 Jm04/Om04	1
6	33404	(004000-) Spring, Tension	2
7	1012656	(004000-) Tube, Retainer, Spring	2
8	64233	(004000-) Cable, Lift, Main Brush	1
9	65248	(004000-) Bracket, Brush Lift, Main	2
10	65249	(004000-) Tube, Spacer, Brush Lift	2
11	61969	(004303-) Switch, Rocker, Dpdt	1
12	57807	(004303-) Cover, Rocker Switch Seal	1

Fig. 53 - Brush Adjustment Group, Main

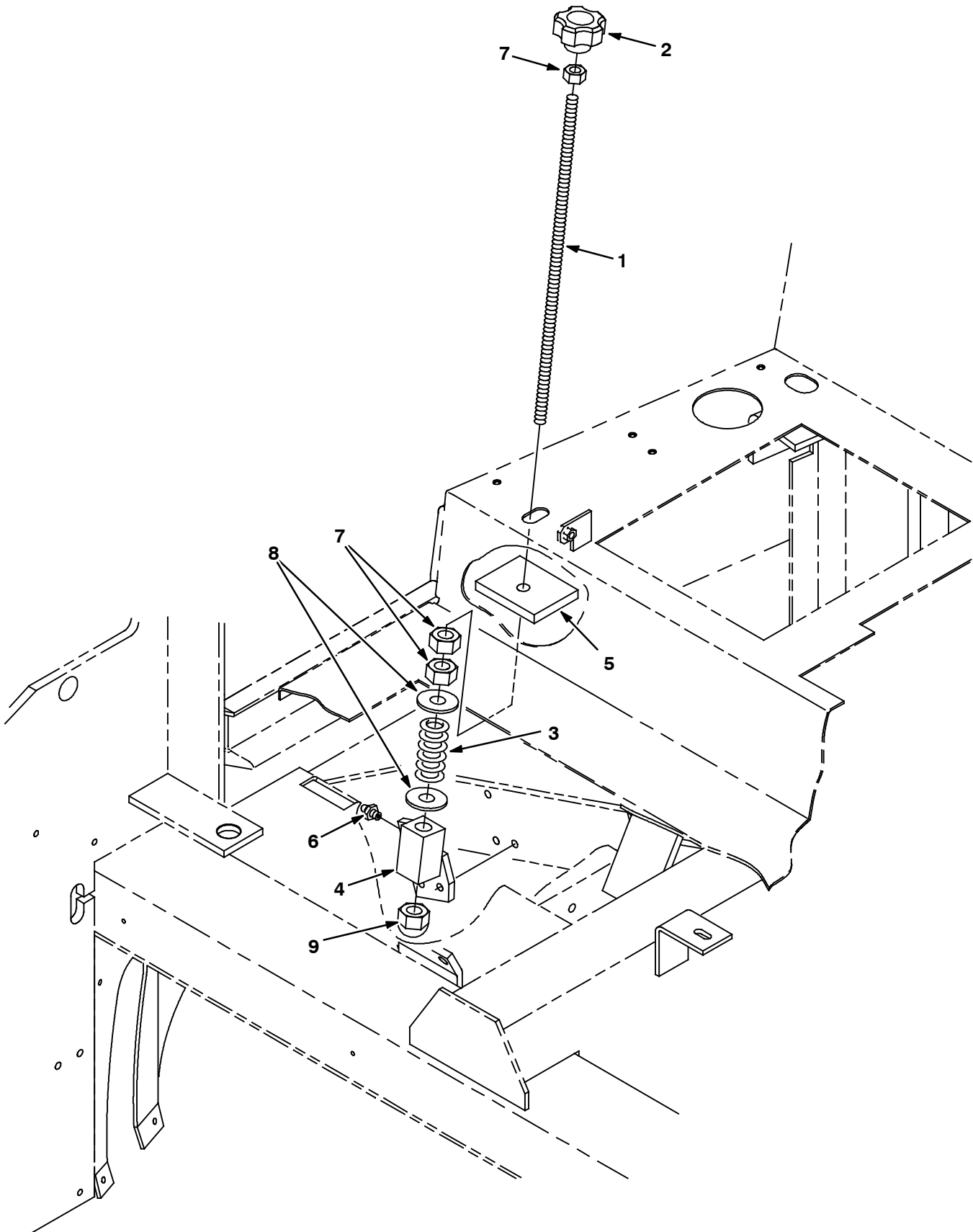


Fig. 53 - Brush Adjustment Group, Main

Ref.	Part No.	Serial Number	Description	Qty.
1	77578	(004000-) Rod, Thread	1
2	77605	(004000-) Knob, Plastic	1
3	51693	(004000-) Sprng,Comp,0.87Idx.10Wire 2.5L	1
4	77580	(004000-) Plate, Adj, Brush	1
5	79028	(004000-) Seal, Rod, Adjuster	1
6	11716	(004000-) Ftg, Grease.12 Npt 45 .88L	1
7	77583	(004000-) Nut, Hex, Std, .62-18	3
8	15331	(004000-) Washer, Flat, 0.62, Sae	2
9	41131	(004000-) Nut, Low Crown, .62-18	1

Fig. 54 - Vacuum Fan Impeller Group

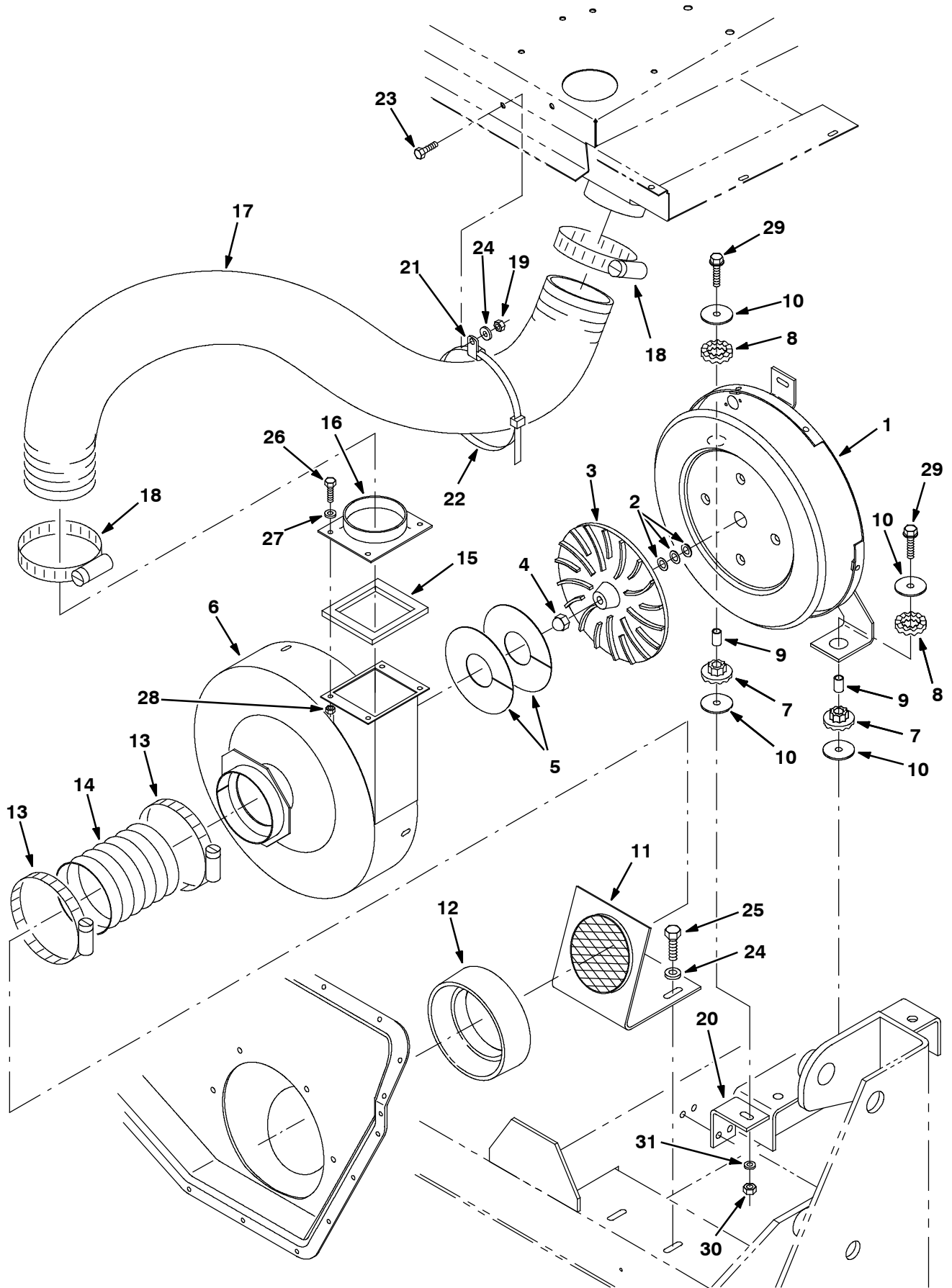


Fig. 54 - Vacuum Fan Impeller Group

Ref.	Part No.	Serial Number	Description	Qty.
1	77531	(004000-) Housing Wldt, Vac Fan, Rear	1
2	75456	(004000-) Shim .003Th 0.88Odx0.506ld	1
2	75456-1	(004000-) Shim .005Th 0.88Odx0.506ld	1
2	75456-2	(004000-) Shim .010Th 0.88Odx0.506ld	1
2	75456-3	(004000-) Shim .020Th 0.88Odx0.506ld	3
2	75456-4	(004000-) Shim .060Th 0.880Dxo.506ld	3
3	03922	(004000-) Impeller 9.5 Dia. 18 Blade Mac	1
4	41130	(004000-) Nut-Low Crown .50-20 Pltd	1
5	58114	(004000-) Fan, Repair Kit, Reassembly	1
6	77532	(004000-) Housing Wldt, Vac Fan, Front	1
7	64621	(004000-) Bushing, Isolator	2
8	64618	(004000-) Ring, Isolator, Outer Rbr	2
9	64299	(004000-) Spacer	2
10	58228	(004000-) Plate, Spring - Side Brush	4
11	70825	(004000-) Bracket Wldt, Fan Inlet	1
12	21241	(004000-) Gasket Kit, Vacfan, Replmt [800]	1
13	73685	(004000-) Clamp-Wormdrive, 3.62- 5.50D	2
14	73646	(004000-) Hose, Fan Inlet	1
15	73650	(004000-) Insulation, Acoustic, Fan	1
16	77553	(004000-) Plate, Vac Fan	1
17	40870-8	(004000-) Hose&cuff Assy, Vinyl4.0ldx50	1
18	23498	(004000-) Clamp-Wormdrive, 2.63- 4.50D	2
19	08709	(004000-) Nut, Hex, Lock, M8 X 1.25, NI	1
20	375721	(004380-) Bracket, Angle	1
21	69234	(004000-) Clamp, Cable, Stl, 1.00d X 0.75w, 1h	1
22	763113	(004000-) Tie, Cable, 20.0l, 6.00d Max	1
23	16931	(004000-) Screw, Hex, M8 X 1.25 X 20, 8.8	1
24	32491	(004000-) Washer, Flat, 0.31 Std	3
25	76570	(004000-) Screw, Hex, M8 X 1.25 X 30, 8.8	2
26	06943	(004000-) Screw, Hex, M6 X 1.0 X 20, 8.8	4
27	32483	(004000-) Washer, Flat, 0.25, Sae	4
28	08708	(004000-) Nut, Hex, Lock, M6 X 1.00, NI	4
29	16930	(004000-) Screw, Hex, M10 X 1.5 X 50, 8.8	2
30	41430	(004000-) Nut, Hex, Lock, M10 X 1.5, NI	2
31	32492	(004000-) Washer, Flat, 0.38, Std	2

Fig. 55 - Vacuum Fan Motor Group

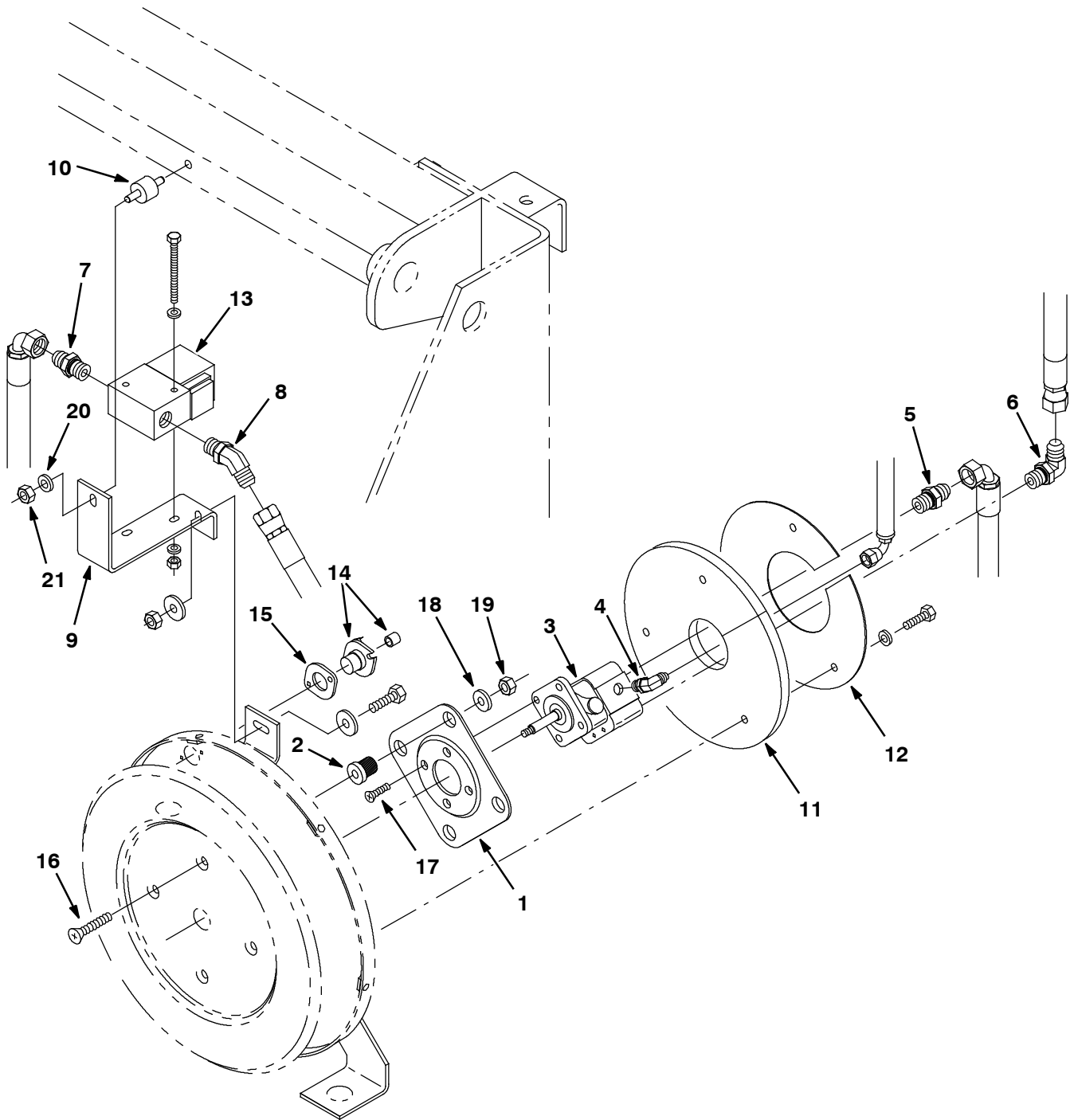


Fig. 55 - Vacuum Fan Motor Group

Ref.	Part No.	Serial Number	Description	Qty.
1	54275A	(004000-) Bracket, Mounting Motor	1
2	54274	(004000-) Isolator-Vibration,60 Lb.Ratng	4
3	19117	(004000-) Motor-Hyd Gear Ex (See Breakdowns)	1
4	77097	(004000-) Ftg-Hyd E90 Jm04/Om04	1
5	56692	(004000-) Ftg-Hyd Str Jm08/Om10	1
6	56821	(004000-) Ftg-Hyd E90 Jm08/Om10	1
7	44869	(004000-) Ftg-Hyd Str Jm08/Jm08	1
8	42226	(004000-) Ftg-Hyd E45 Jm08/Om08	1
9	70775	(004000-) Bracket, Mtg, Valve	1
10	05611	(004000-) Isolator, Vibration	1
11	70810	(004000-) Insulation, Acoustic, Vac Fan	1
12	70790	(004000-) Plate, Retainer, Foam	1
13	84015	(004000-007338) Valve-Hyd, Solenoid (See Breakdowns)	1
13	1049210	(007339-) Valve, Cntrl, Hyd, Solenoid, 12vdc 12gpm (See Break-downs)	1
14	02713	(004000-) Thermostat Assembly, 155 Deg	1
15	82733	(004000-) Gasket, Fire Switch	1
16	54862	(004000-) Screw Flt	4
17	39534	(004000-) Screw Flt	4
18	13248	(004000-) Washer, Flat, 0.40b 1.12d .12, Stl, PI	4
19	50902	(004000-) Nut, Hex, Lock, .38-16, NI	4
20	32984	(004000-) Washer, Lock, Int, 0.31	2
21	19313	(004000-) Nut, Hex, Std, .31-18	2

Fig. 56 - Steering Group

Ref.	Part No.	Serial Number	Description	Qty.	
1	64651	(004000-) Rod, Latch, Steering, Tilt	1	
2	70717	(004000-) Ring, Retain, Ex, 0.50Od, Heavy Dt	1	
3	22290	(004000-) Sprng, Comp, 0.62Idx. 06Wire 2.3L	1	
4	64655	(004000-) Channel, Mtg, Steering Latch	1	
5	70709	(004000-) Bearing, Flange .500B	2	
6	47585	(004000-) Bearing-Flange, 2 Hole 0.50Bore	3	
7	04706	(004000-) Handle, Lift, Brush	1	
8	64586	(004000-) Bracket Wldt, Steering Tilt	1	
▽	9	64631	(004000-) Column, Steering 12"	1
▲	74142	(004000-) Boot	1	
10	21195	(004000-) Scr Hex .38-16X0.75	2	
11	65242	(004000-) Steer Control, Hyd (See Breakdowns)	1	
12	56690	(004000-) Ftg-Hyd Str Jm06/Om06	5	
13	44078	(004000-) Switch, Pushmom, Spst100A 12V	1	
14	49263	(004000-) Tie, Cable 3.00D Max 11.41Lg	3	
▽	15	56398	(004000-007673)	Wheel, Steering	1
▲	70218	(004000-007673)	Cap, Wheel, Steering	1	
▲	70219	(004000-007673)	Insert, Wheel, Steering	1	
▽	15	1058996	(007674-) Wheel, Steering, 14.0d 0.81b 36tooth	1
▲	768482	(007674-) Cover, Wheel, Steering	1	
16	70623	(004000-) Plate, Mtg, Steering Boot	1	
17	75968	(004000-) Seal, Bearing	1	
18	70622	(004000-) Seal, Boot, Steering Column	1	
19	56185	(004000-) Nut-hx Jam M20x1.5 4 Pltd	1	
20	72970	(004000-) Rivet, Plastic .250Dx.898	4	
21	32485	(004000-) Washer, Flat, 0.38, Sae	4	
22	27988	(004000-) Screw, Hex, .38-16 X 1.50, G5	2	
23	21195	(004000-) Screw, Hex, .38-16 X 0.75, G5	2	
24	11329	(004000-) Screw, Hex, M6 X 1.00 X 16, NI, Ss	4	
25	19066	(004000-) Washer, Flat, 0.25b 0.56d .05, PI, 10	14	
26	06943	(004000-) Screw, Hex, M6 X 1.00 X 20, 8.8	4	
27	08708	(004000-) Nut, Hex, Lock, M6 X 1.00, NI	6	
28	32486	(004000-) Washer Flat, 0.50, Sae	1	
29	39277	(004000-) Screw, Hex, M8 X 1.25 X 25, 8.8	3	
30	41186	(004000-) Washer, Flat, Belleville, .31	3	

Fig. 57 - Electrical Instrument Panel Assembly

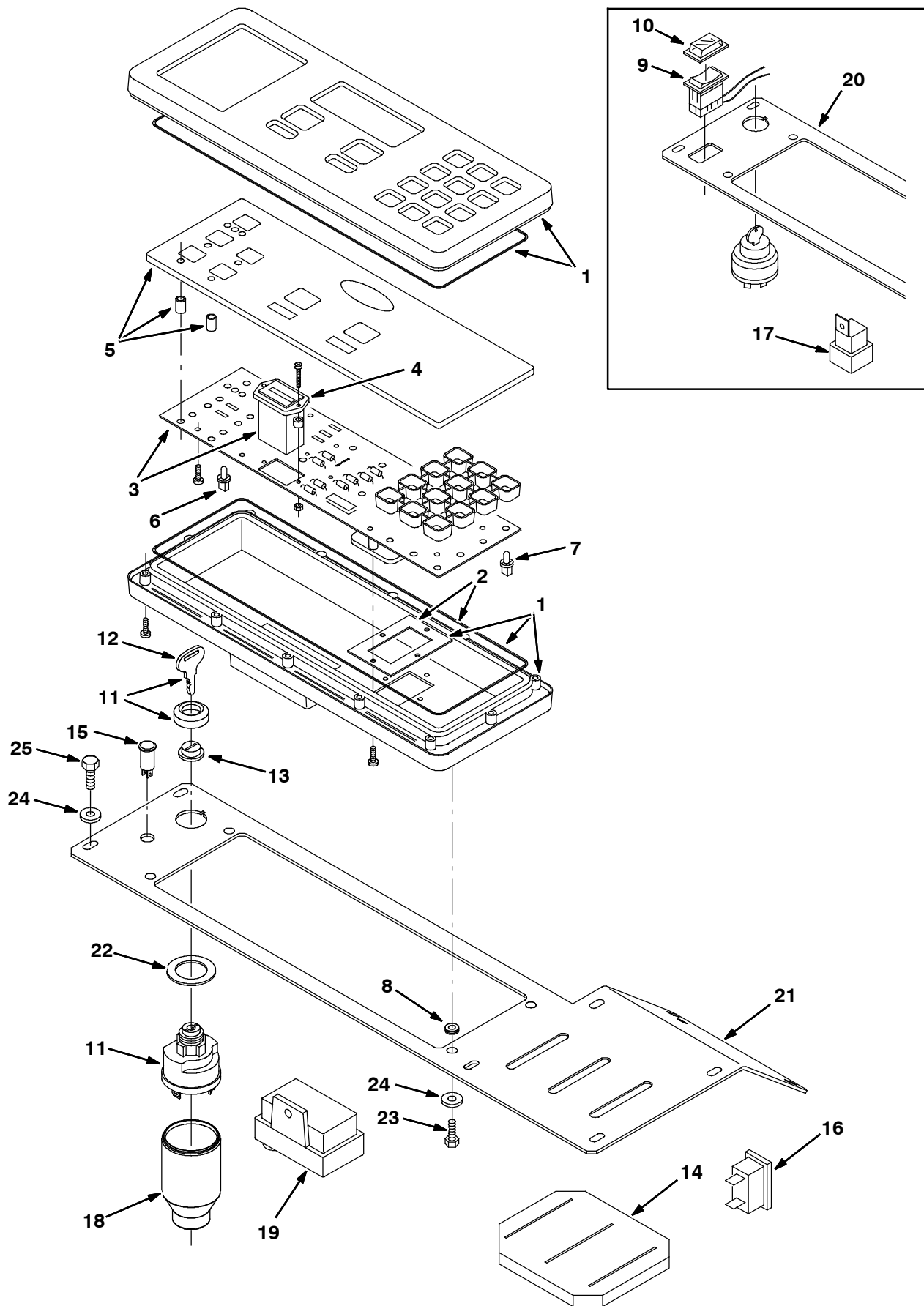
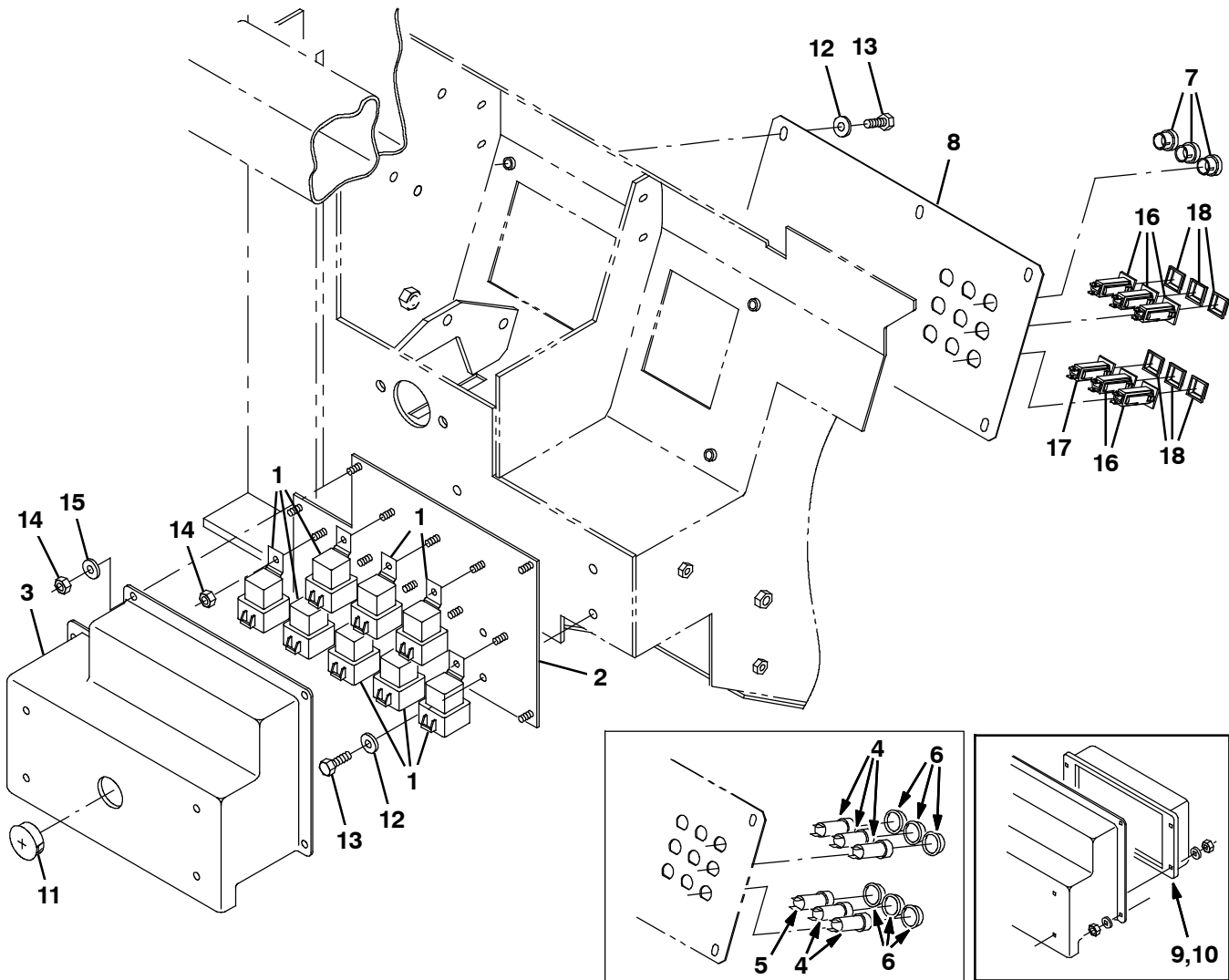


Fig. 57 - Electrical Instrument Panel Assembly

Ref.	Part No.	Serial Number	Description	Qty.
▽	59970	(004000-) Replm Kit, Instr Panel	1
▲	1 59976	(004000-) Replm Kit, Case	1
▲	2 59977	(004000-) Replm Kit, Seal	1
▲▽	3 59974	(004000-) Replm Kit, Cir Board	1
▲▲	4 59978	(004000-) Replm Kit, Hourmeter	1
▲	5 59979	(004000-) Replm Kit, Touch Panel	1
▲	6 59971	(004000-) Replm Kit, Lamp, Backlighting (Set of 8)	2
▲	7 56346	(004000-) Replm Kit, Lamp, Fault (Set of 8)	1
	8 10632-5	(004000-) Grommet,Rbr,0.25ld,For .09Matl	4
	9 61969	(004000-004302) Switch, Rocker, Dpdt	1
	10 57807	(004000-004302) Cover, Rocker Switch Seal	1
▽	11 87536	(004000-) Switch Ignition	1
▲	12 87866	(004000-) Key Set,Switch Ku	1
	13 382516	(004000-) Boot, Switch	1
	14 79648	(004000-) Seal, Handle, Valve	1
	15 34820	(004000-) IndicatorLight, Glow Plug	1
	16 64141	(004000-) Light, Indicator	1
	17 56186	(004000-004302) Relay	8
	18 383165	(004322-) Boot, Switch, Ignition	1
	19 375676	(004303-) Controller	1
	20 65245	(004000-004302) Panel, Cover, Dash	1
	21 1012670	(004303-) Panel, Cover, Dash	1
	22 73736	(004000-) Washer	1
	23 24199	(004000-) Screw, Hex, M5 X 0.8 X 16, Ss	4
	24 19066	(004000-) Washer, Flat, #10	12
	25 06942	(004000-) Screw, Hex, M6 X 1.0 X 16, 8.8	8

STANDARD PARTS

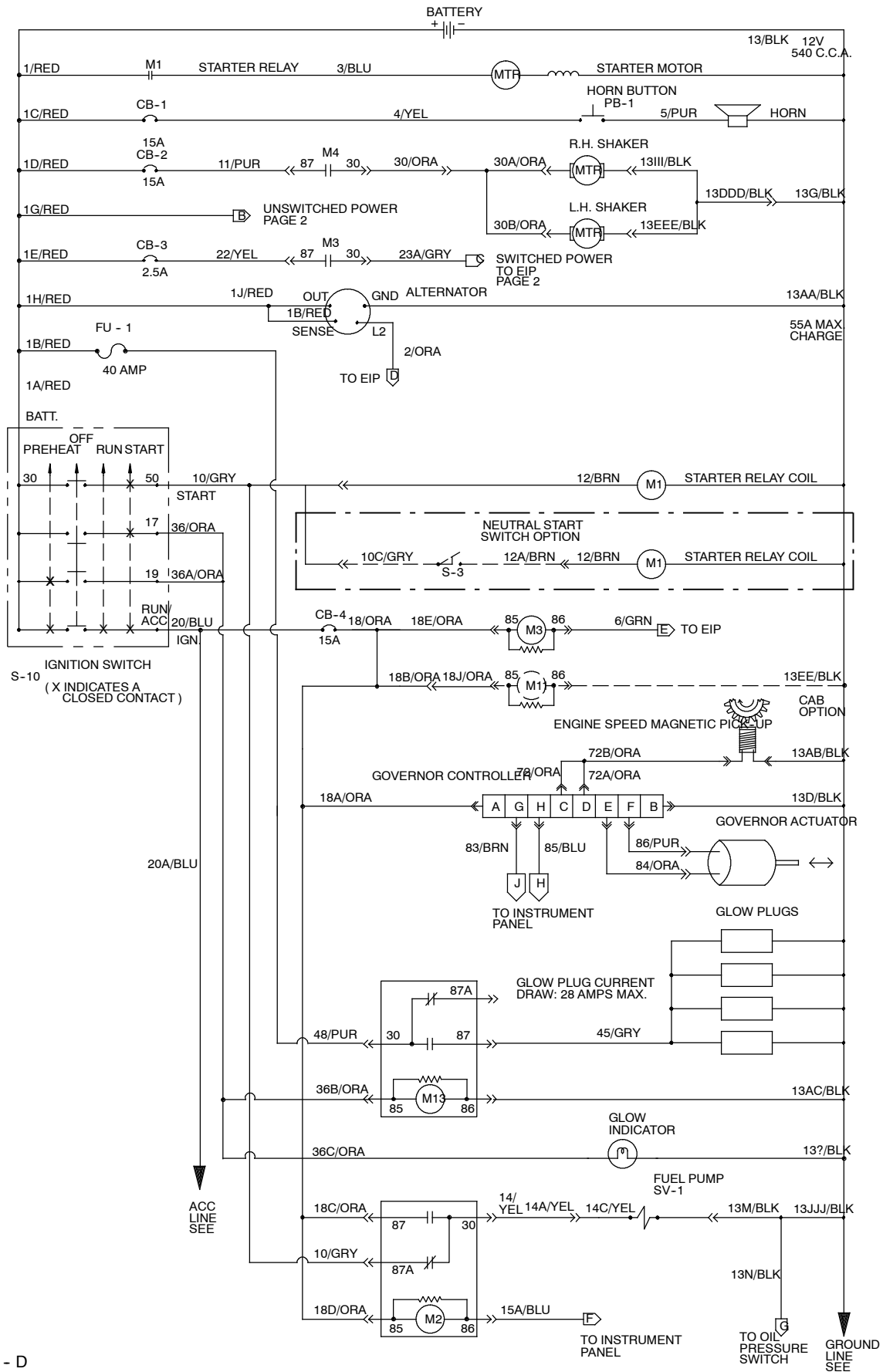
Fig. 58 - Electrical Circuit Breaker and Relay Group



07614 - D

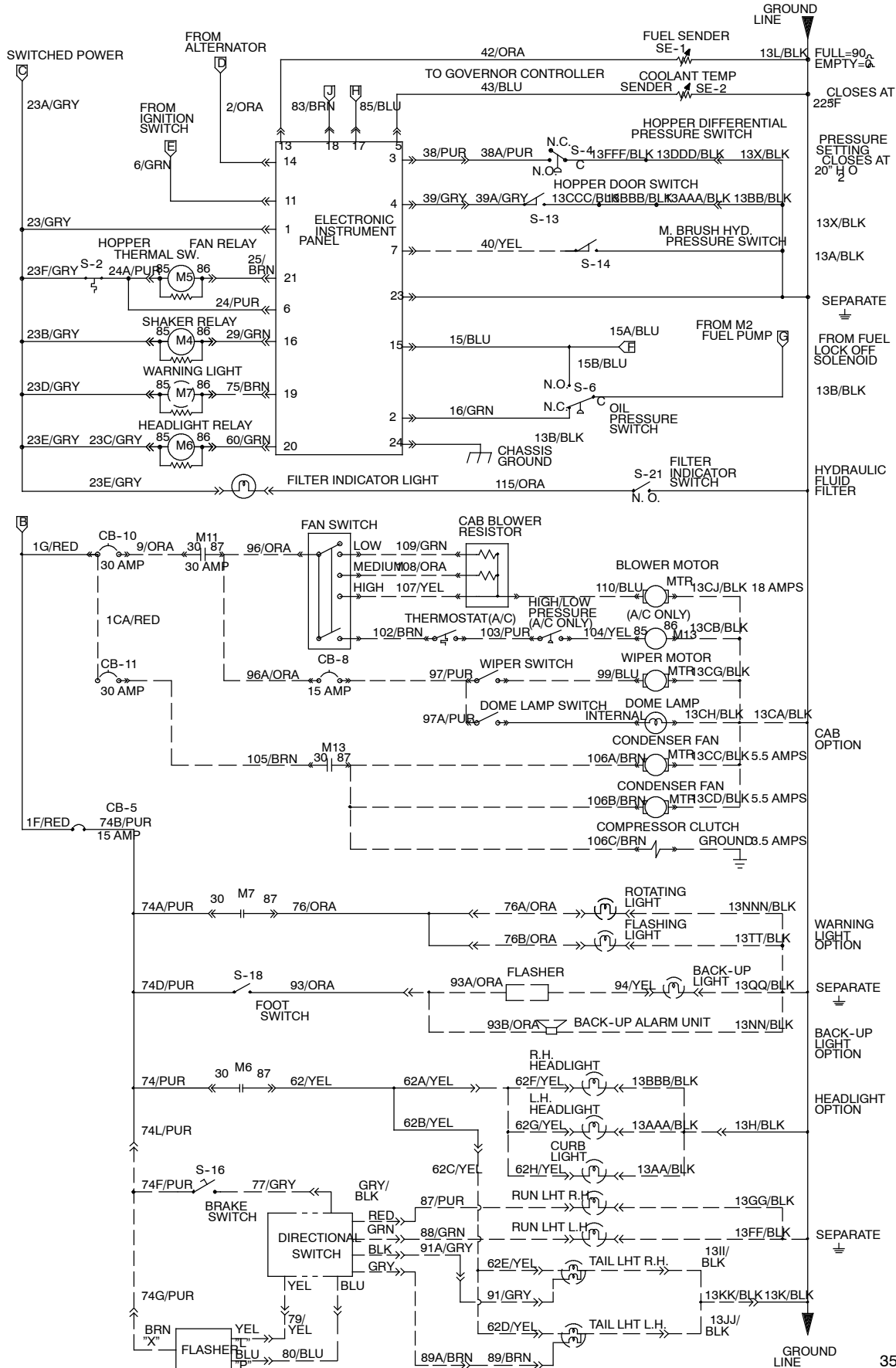
Ref.	Part No.	Serial Number	Description	Qty.
1	56186	(004000-) Relay, Shrouded, 12 Vdc	8
2	70398	(004000-) Plate, Mtg, Relay	1
3	70402	(004000-) Cover, Relay Panel	1
4	57803	(004000-007289) Breaker-Circuit, 15 Resetbl	5
5	87583	(004000-007289) Breaker-Circuit, 2.5 Resetbl	1
6	57751	(004000-007289) Boot-Circuit Breaker	6
7	57167	(004000-) Plugbtn .62H .03-.12 Blacknyl	3
8	70411	(004000-) Plate, Circuit Breaker	1
▽	9	71387	(004000-004804) Control Box, Governor, Diesel (Repl. by 374127)	1
▲		374625	(004000-004804) Plug, Control Box	2
10	374127	(004805-006008) Kit, Replmt, Control, Govnr, [All Purps]	1
11	76888	(004000-) Button, Plug 1.25H	1
12	19066	(004000-) Washer, Flat, #10	10
13	06943	(004000-) Screw, Hex, M6 X 1.0 X 20, 8.8	10
14	08708	(004000-) Nut, Hex, Lock, M6 X 1.0, NI	10
15	32483	(004000-) Washer, Flat, 0.25 Sae	5
16	1064188	(007290-) Circuitbreaker, 15A, Resetable	5
17	1064184	(007290-) Circuitbreaker, 2.5A, Resetable	1
18	1064191	(007290-) Boot, Circuit Breaker	6

Fig. 59 - Electrical Schematic (004000- 004302)



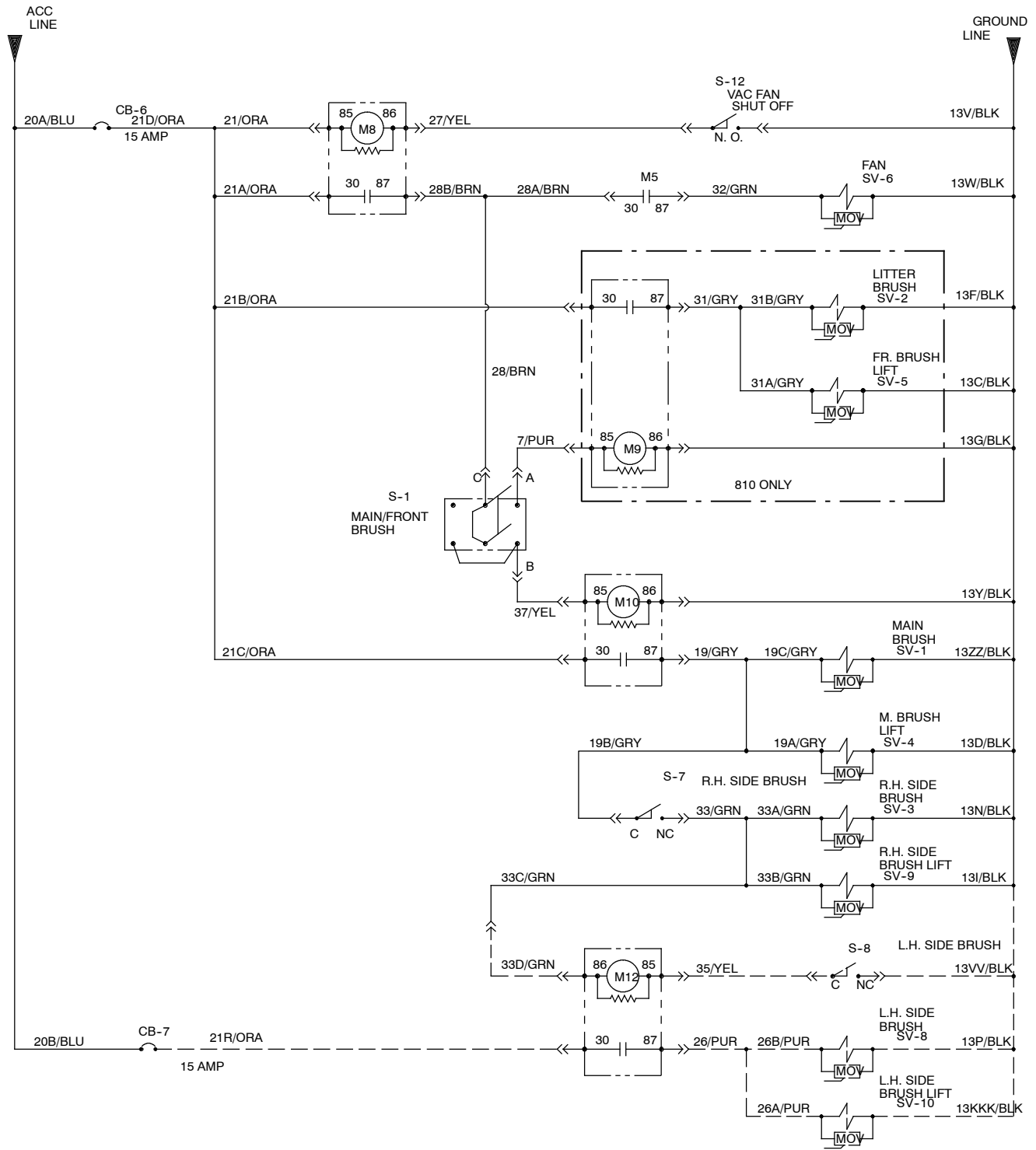
351128 - D

Fig. 59 - Electrical Schematic (004000- 004302)



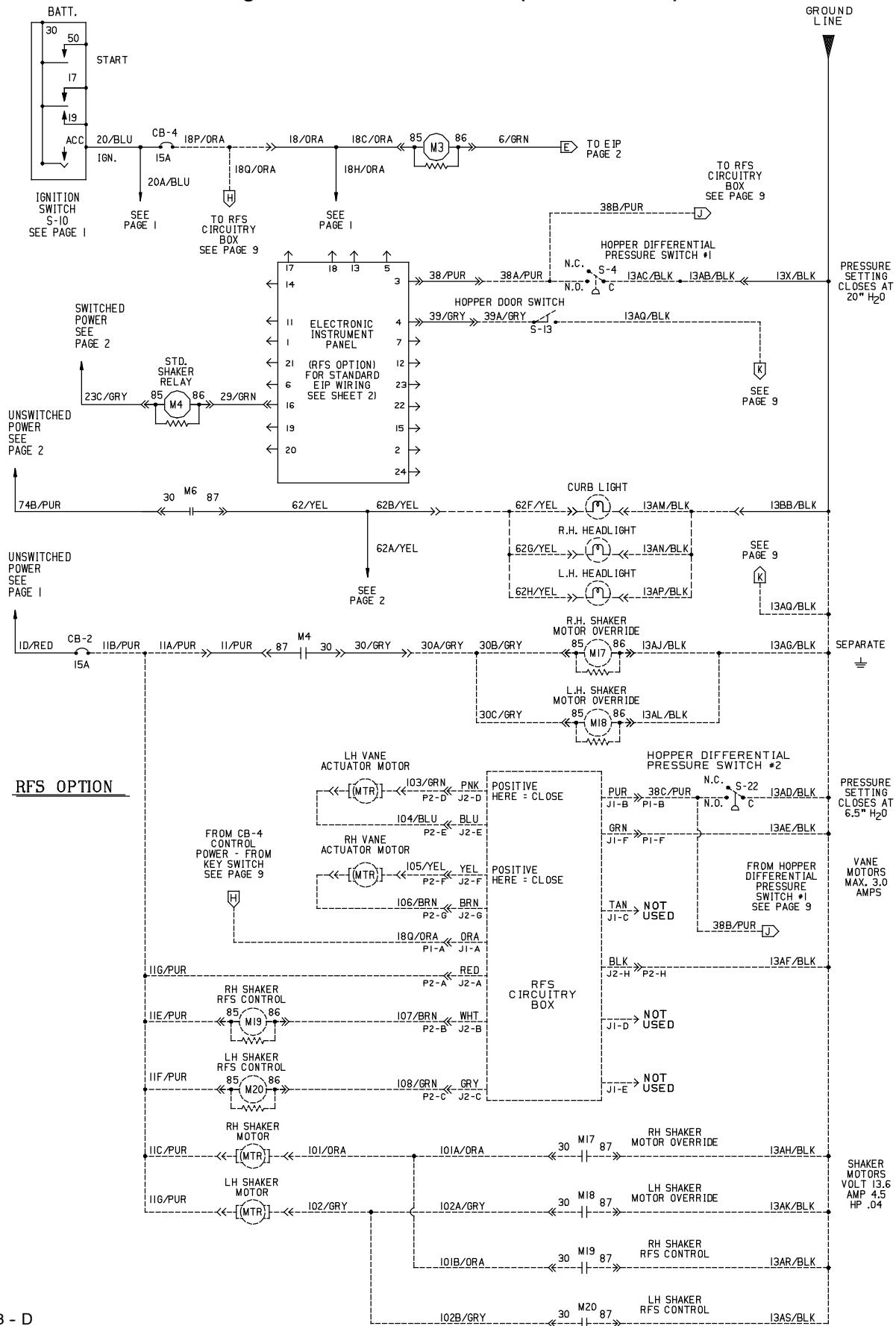
351128 - D

Fig. 59 - Electrical Schematic (004000- 004302)



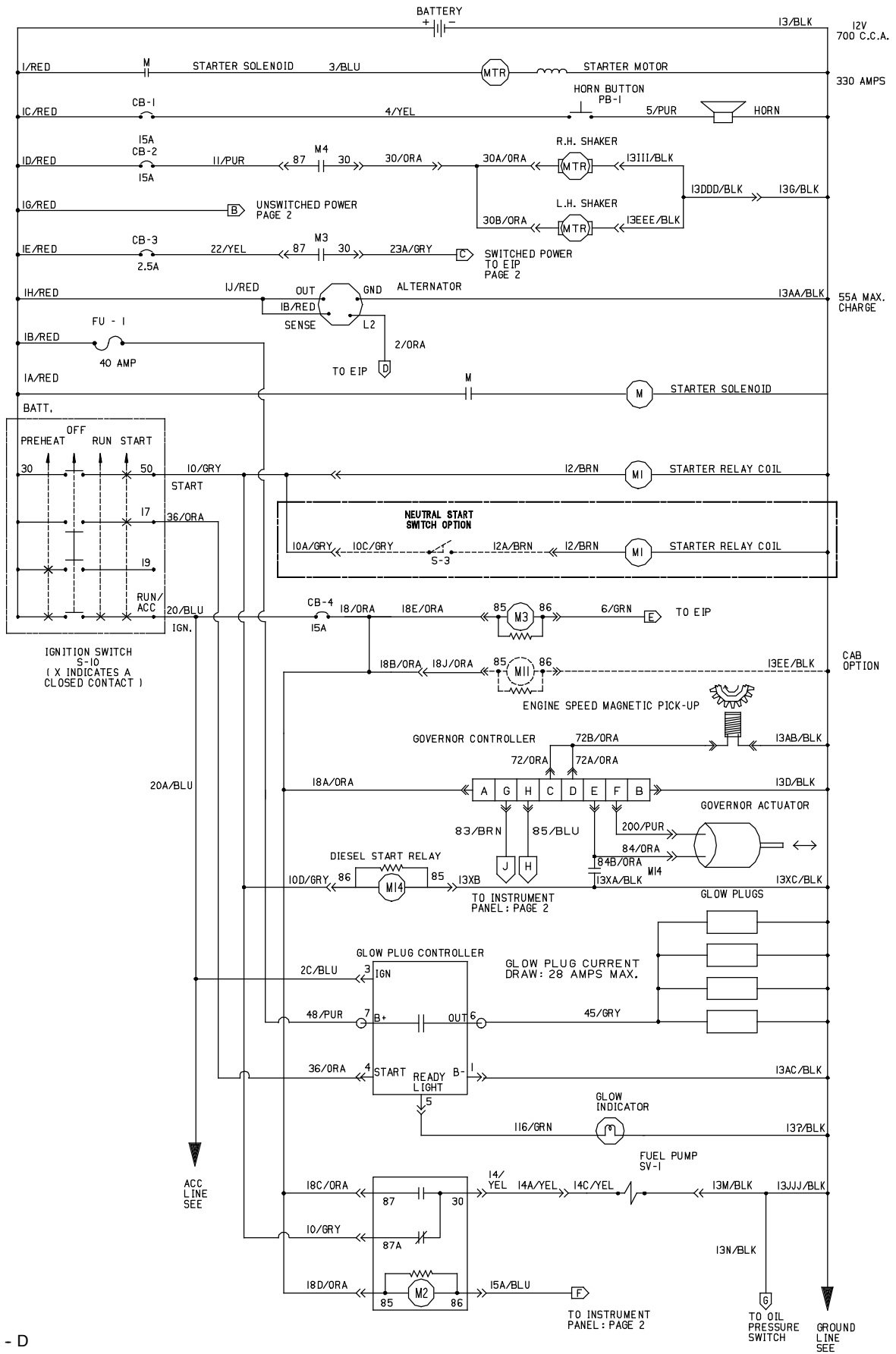
LEGEND			
M	POWER RELAY	HM	HOURLMETER
MTR	MOTOR	SV	SOLENOID VALVE
CB	CIRCUIT BREAKER	S	SWITCH
PM	PERMANENT MAGNET	ACC	ACCESSORY
J	JACK-FEM. SOCKET	GND	GROUND CHASSIS
P	PLUG-MALE PIN	C	COMMON
PB	PUSHBUTTON	N.O.	NORMALLY OPEN
VM	VOLTMETER	N.C.	NORMALLY CLOSED
FU	FUSE	NOV	METAL OXIDE VARISTOR

Fig. 59 - Electrical Schematic (004000-004302)



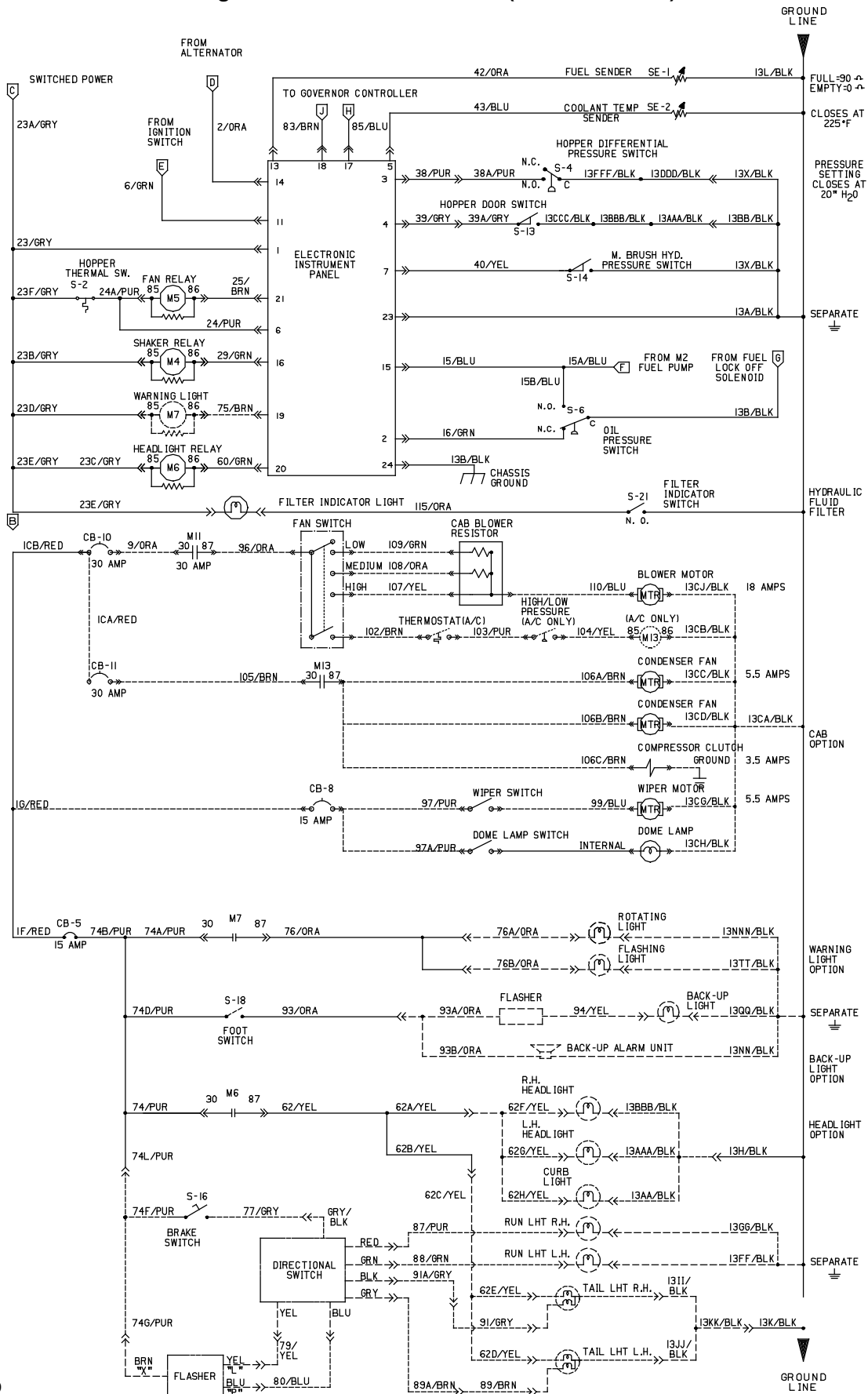
63203 - D

Fig. 60 - Electrical Schematic (004303-006008)



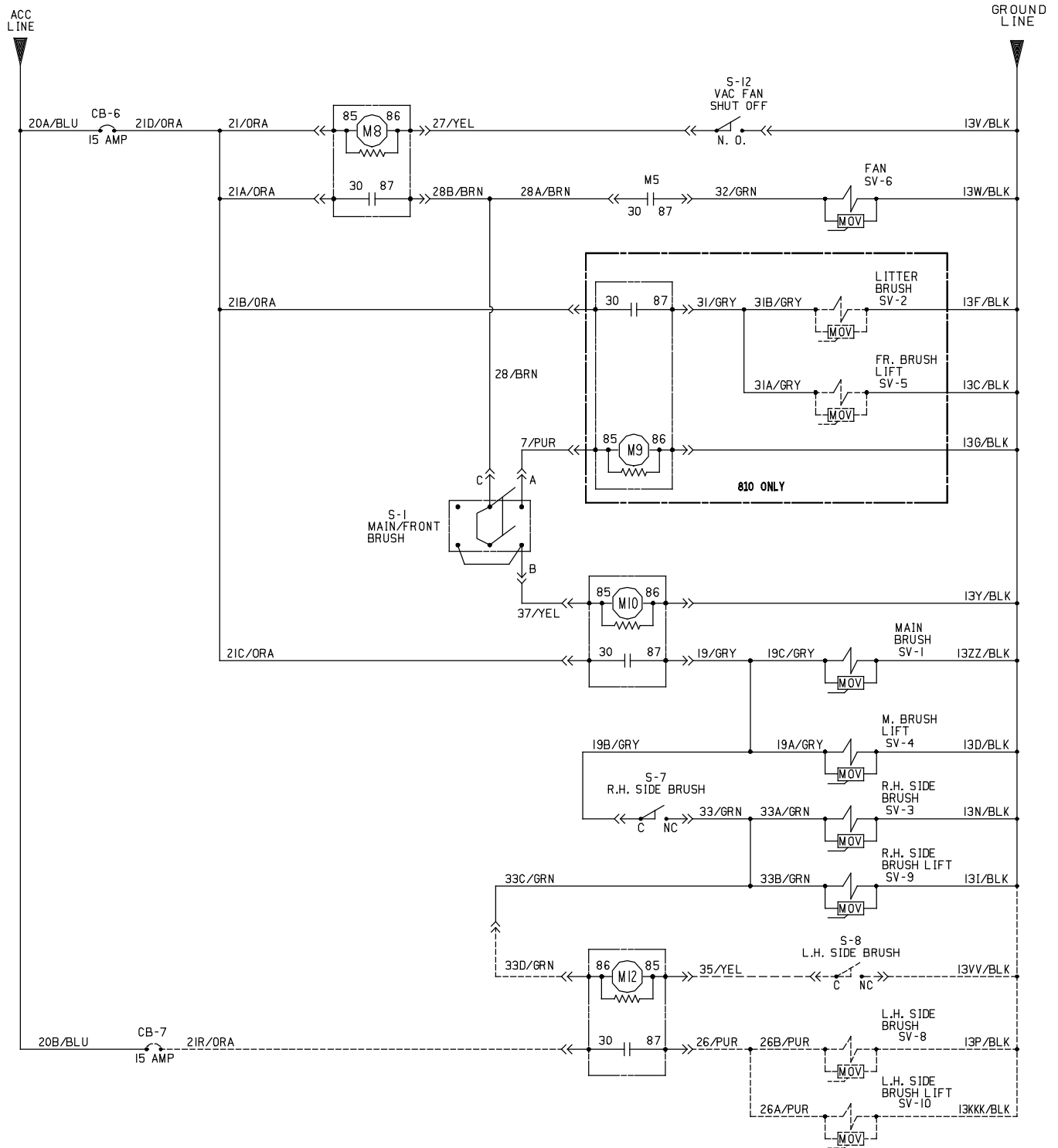
351128 - D

Fig. 60 - Electrical Schematic (004303-006008)



351128 - D

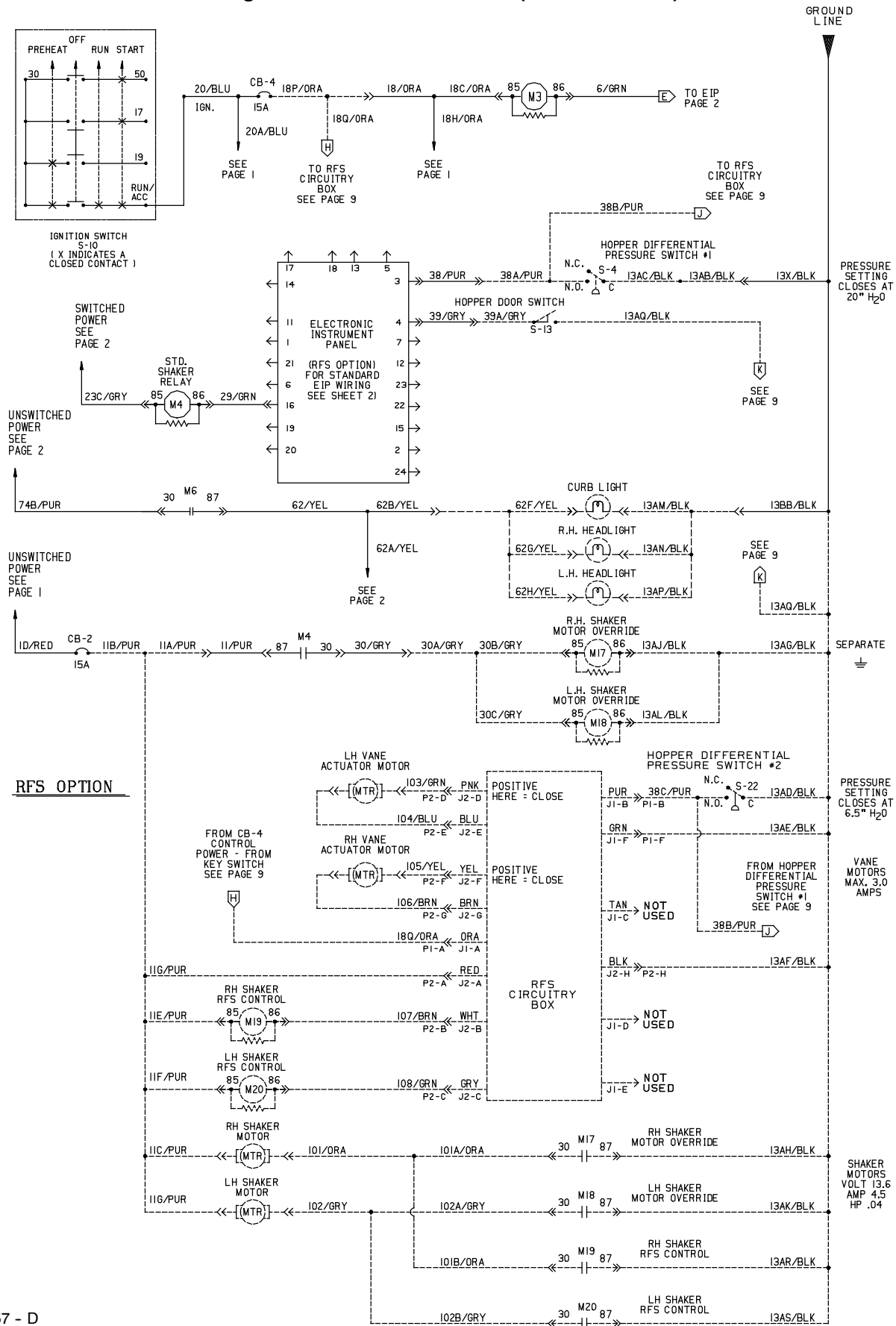
Fig. 60 - Electrical Schematic (004303-006008)



LEGEND			
M	POWER RELAY	HM	HOURLMETER
MTR	MOTOR	SV	SOLENOID VALVE
CB	CIRCUIT BREAKER	S	SWITCH
PM	PERMANENT MAGNET	ACC	ACCESSORY
J	JACK-FEM. SOCKET	GND	GROUND CHASSIS
P	PLUG-MALE PIN	C	COMMON
PB	PUSHBUTTON	N.O.	NORMALLY OPEN
VM	VOLTMETER	N.C.	NORMALLY CLOSED
FU	FUSE	NOV	METAL OXIDE VARISTOR

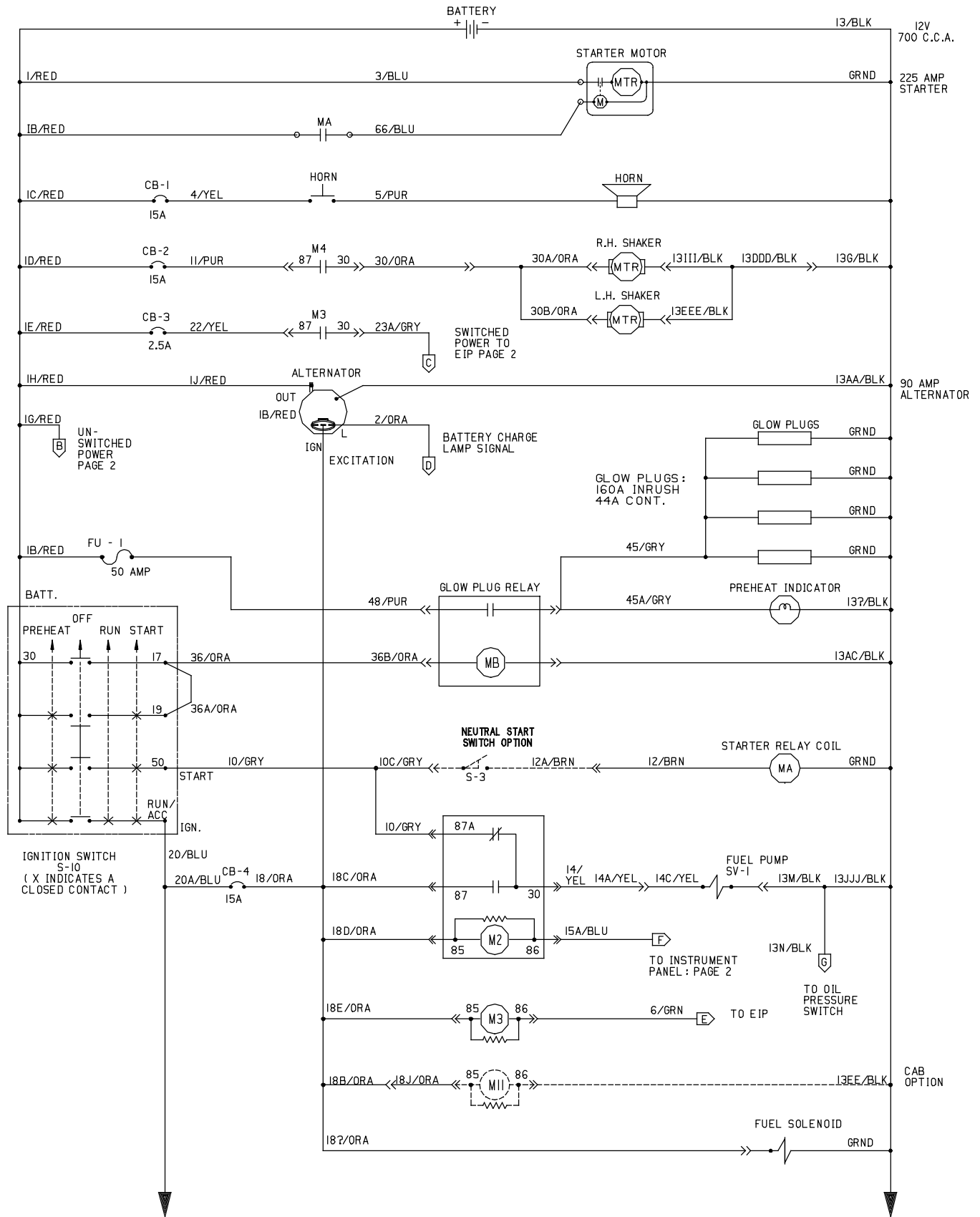
351128 - D

Fig. 60 - Electrical Schematic (004303-006008)



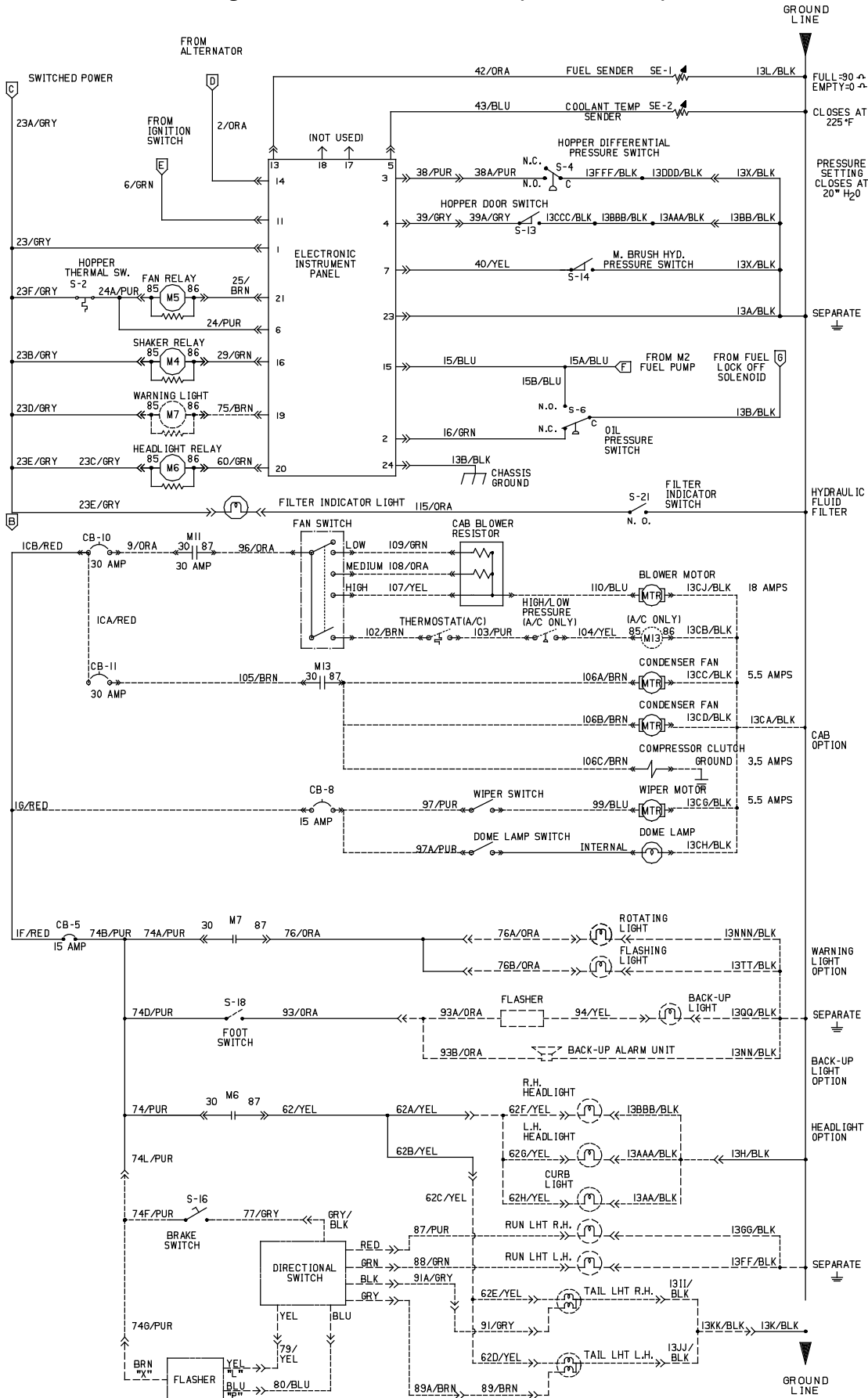
380557 - D

Fig. 61 - Electrical Schematic (006009-)



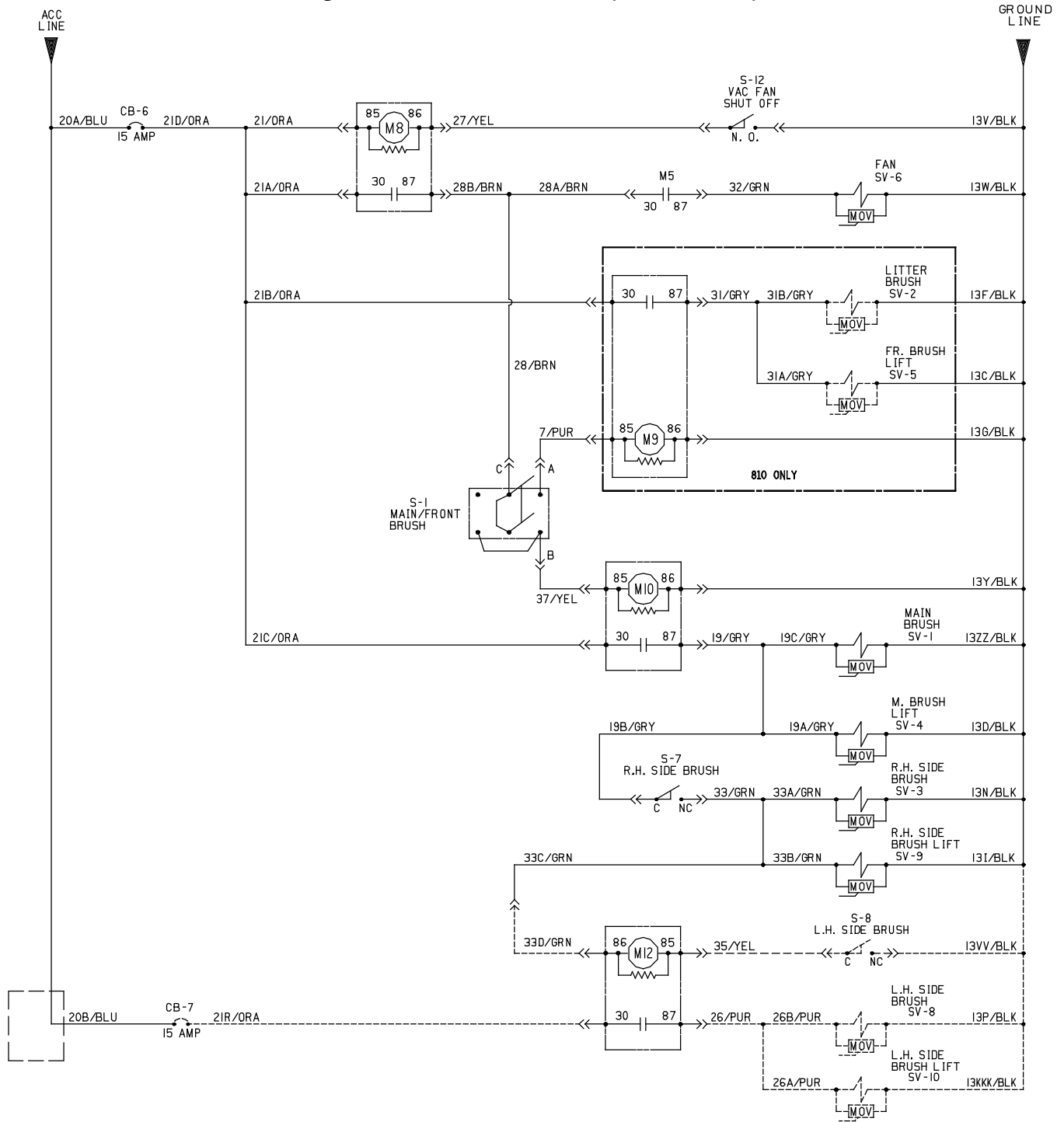
354091, 398533 - D

Fig. 61 - Electrical Schematic (006009-)



354091, 398533 - D

Fig. 61 - Electrical Schematic (006009-)



LEGEND			
M	POWER RELAY	HM	HOURLMETER
MTR	MOTOR	SV	SOLENOID VALVE
CB	CIRCUIT BREAKER	S	SWITCH
PM	PERMANENT MAGNET	ACC	ACCESSORY
J	JACK-FEM. SOCKET	GND	GROUND CHASSIS
P	PLUG-MALE PIN	C	COMMON
PB	PUSHBUTTON	N.O.	NORMALLY OPEN
VM	VOLTMETER	N.C.	NORMALLY CLOSED
FU	FUSE	NOV	METAL OXIDE VARISTOR

354091, 398533 - D

Fig. 62 - Wire Harnesses Group, Diesel, Main (004000- 004302)

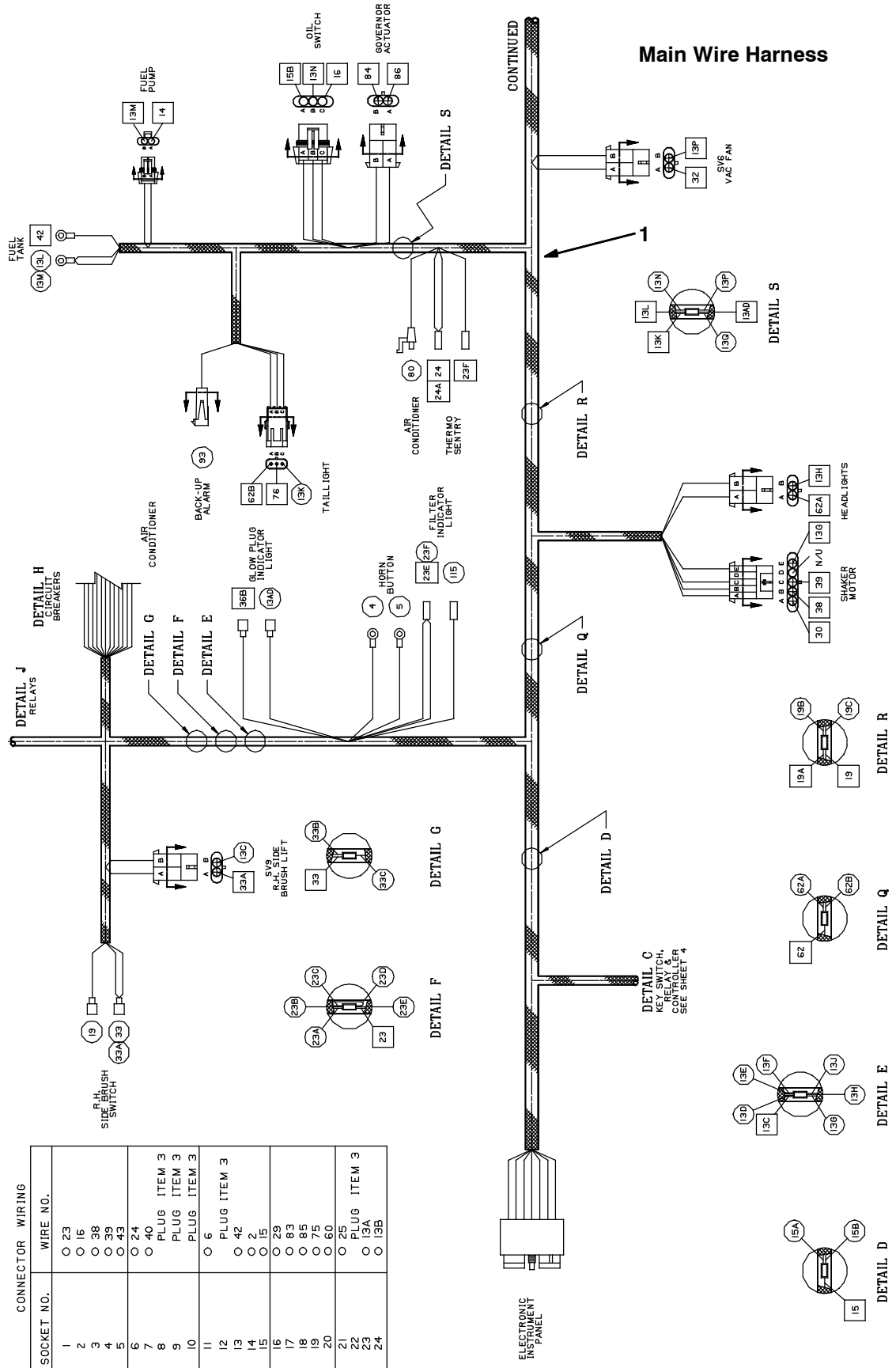
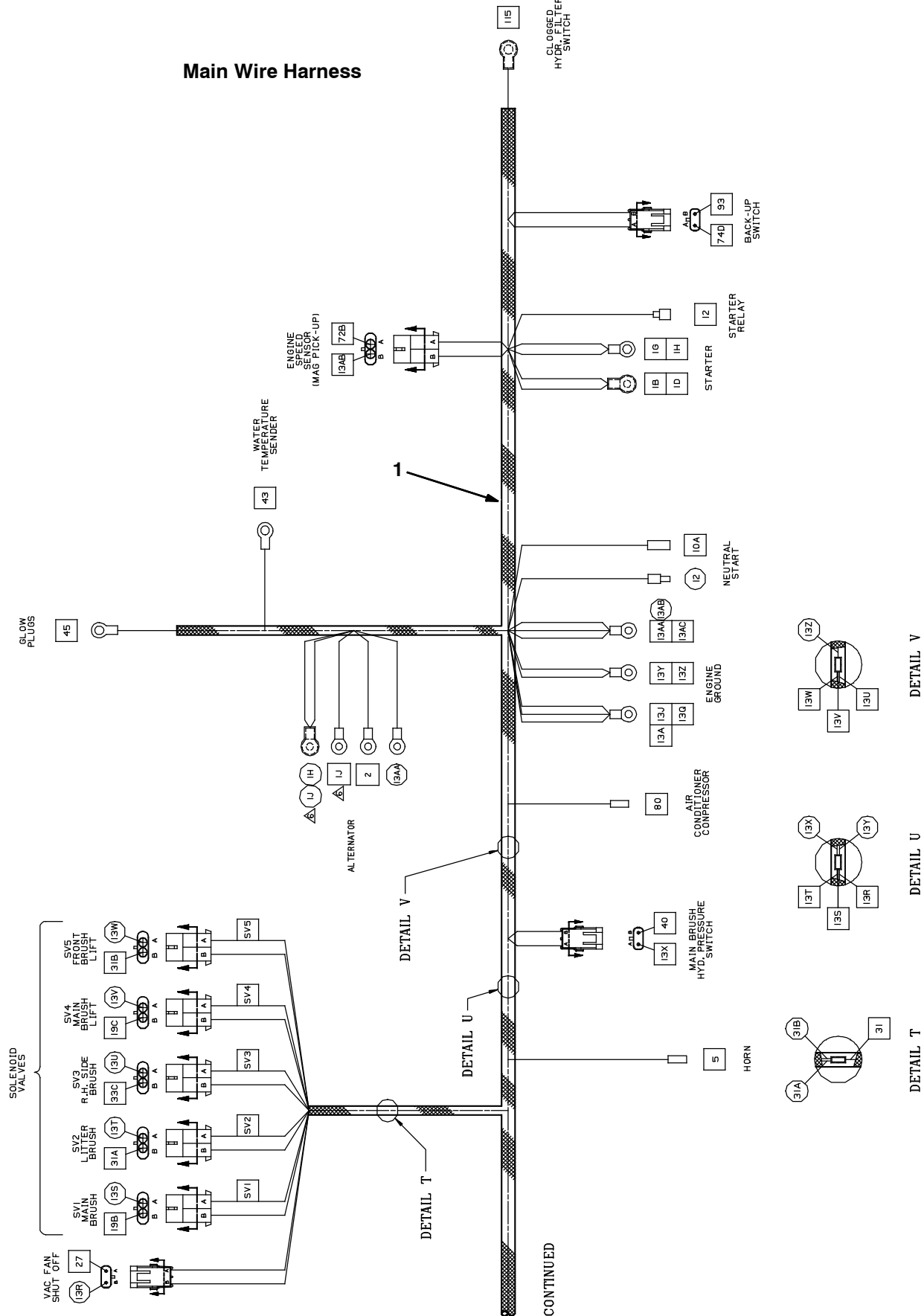


Fig. 62 - Wire Harnesses Group, Diesel, Main (004000-004302)



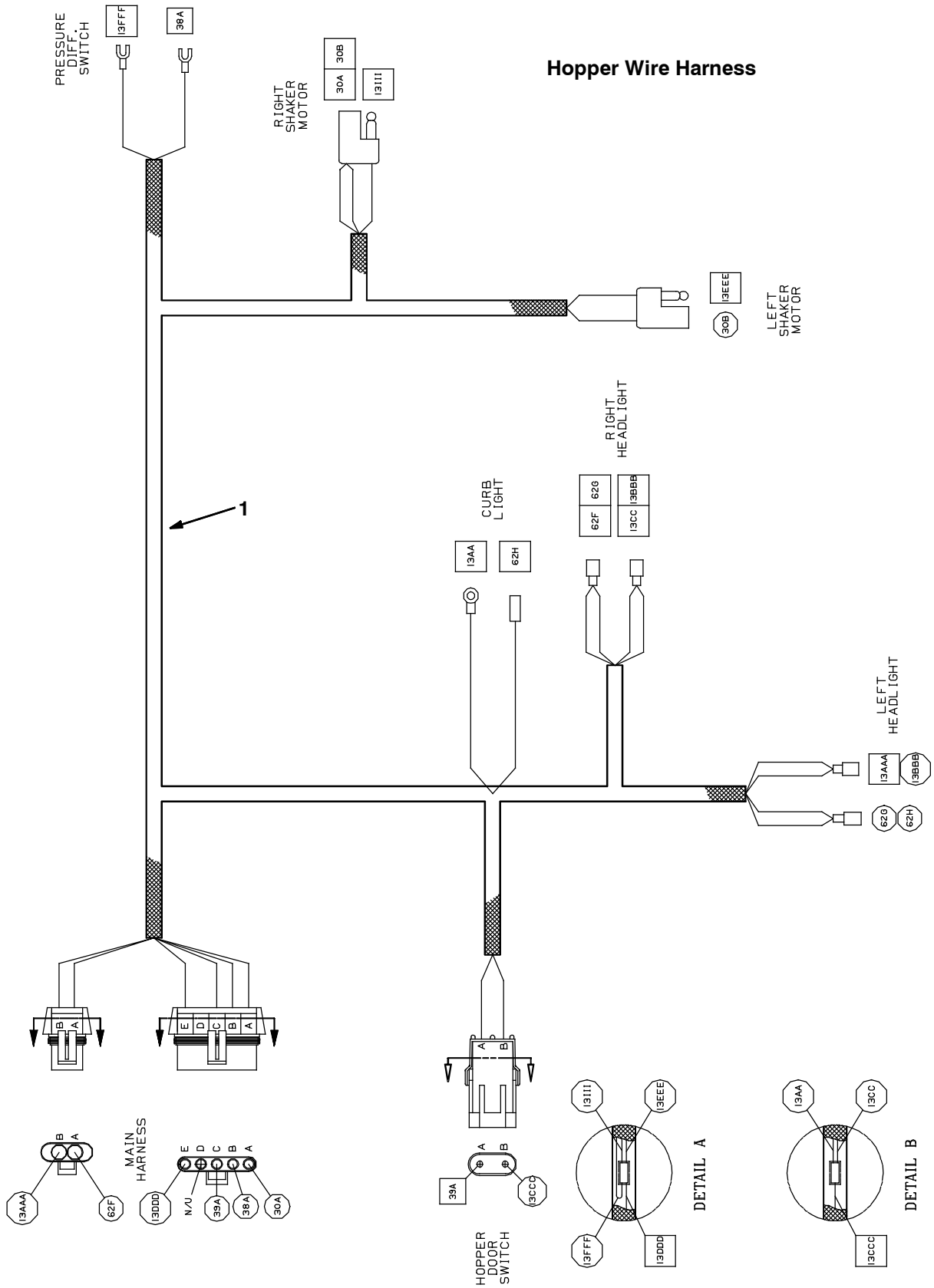
STANDARD PARTS

351149 - D

Fig. 62 - Wire Harnesses Group, Diesel, Main (004000- 004302)

Ref.	Part No.	Serial Number	Description	Qty.
1	380523	(004000-004302)	Harness, Main, Die 800/810	1

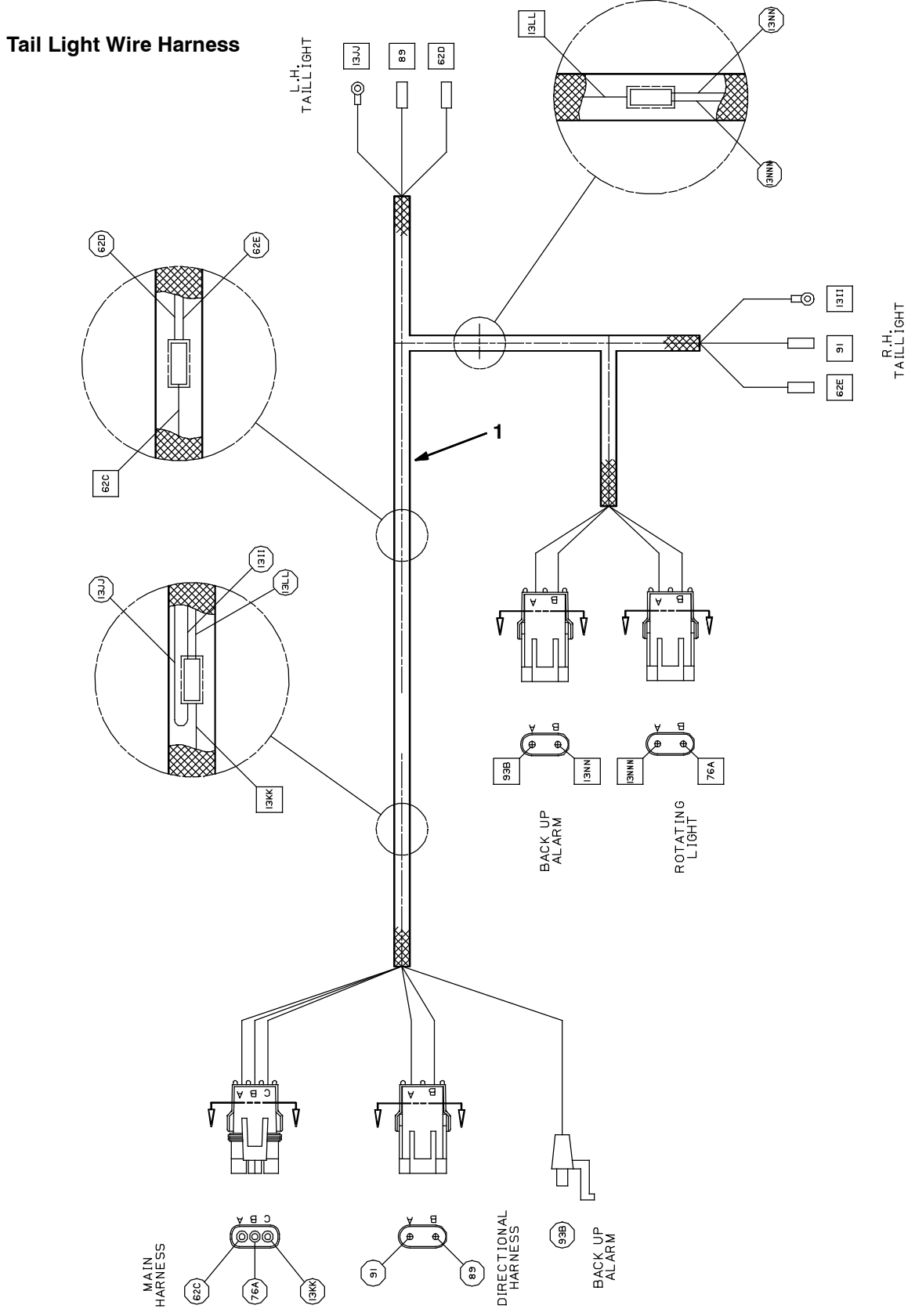
Fig. 63 - Wire Harnesses Group, Diesel, Hopper (004000-)



351144 - D

Ref.	Part No.	Serial Number	Description	Qty.
1	83695	(004000-)	Harness, Hopper 800/810	1

Fig. 64 - Wire Harnesses Group, Diesel, Tail Lights (004000-)



351145 - D

Ref.	Part No.	Serial Number	Description	Qty.
1	70400	(004000-)	Harness, Turn/Rotate/Tail Lights	1

Fig. 66 - Wire Harnesses Group, Diesel, Main (004303-006008)

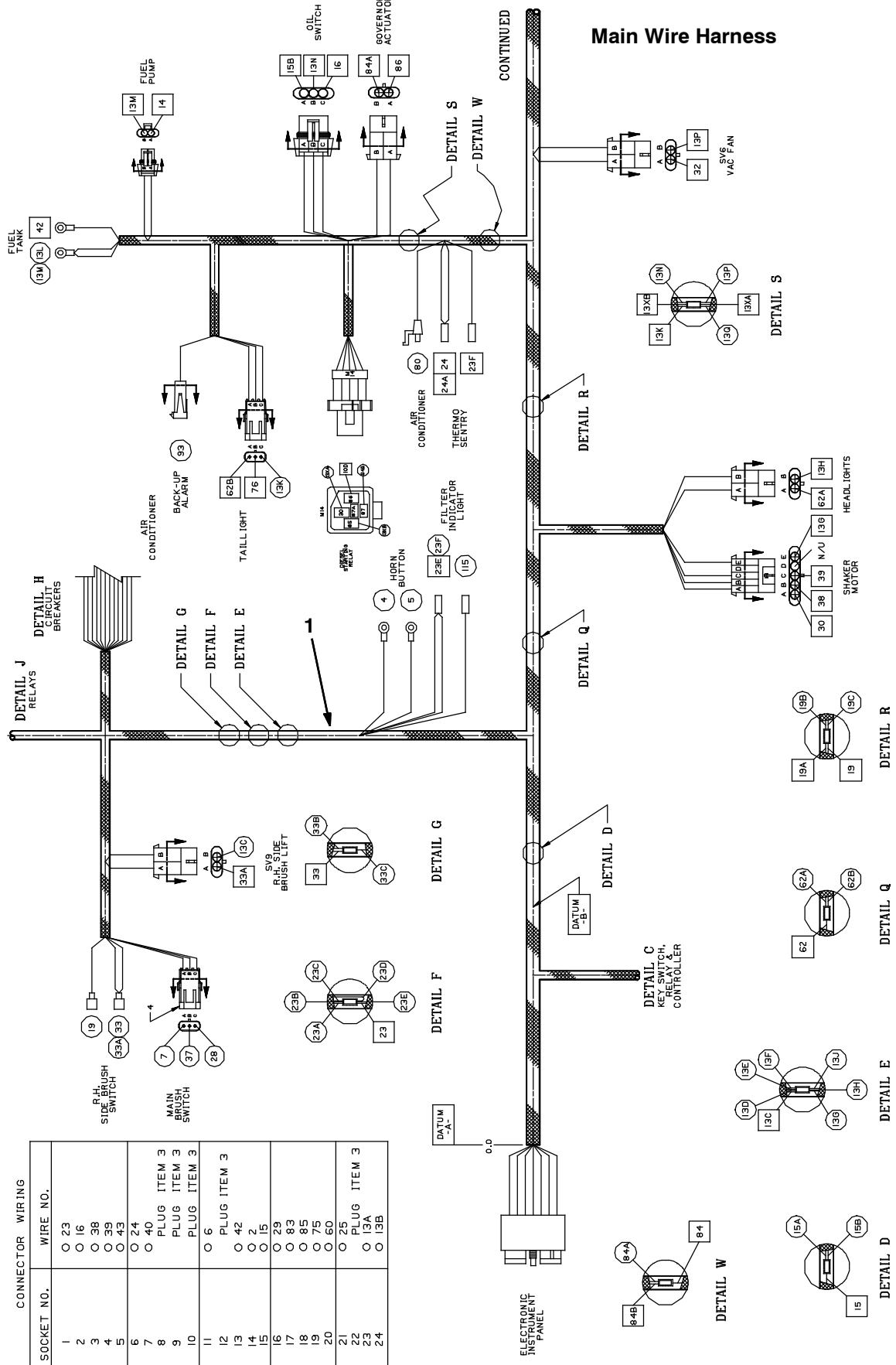


Fig. 66 - Wire Harnesses Group, Diesel, Main (004303-006008)

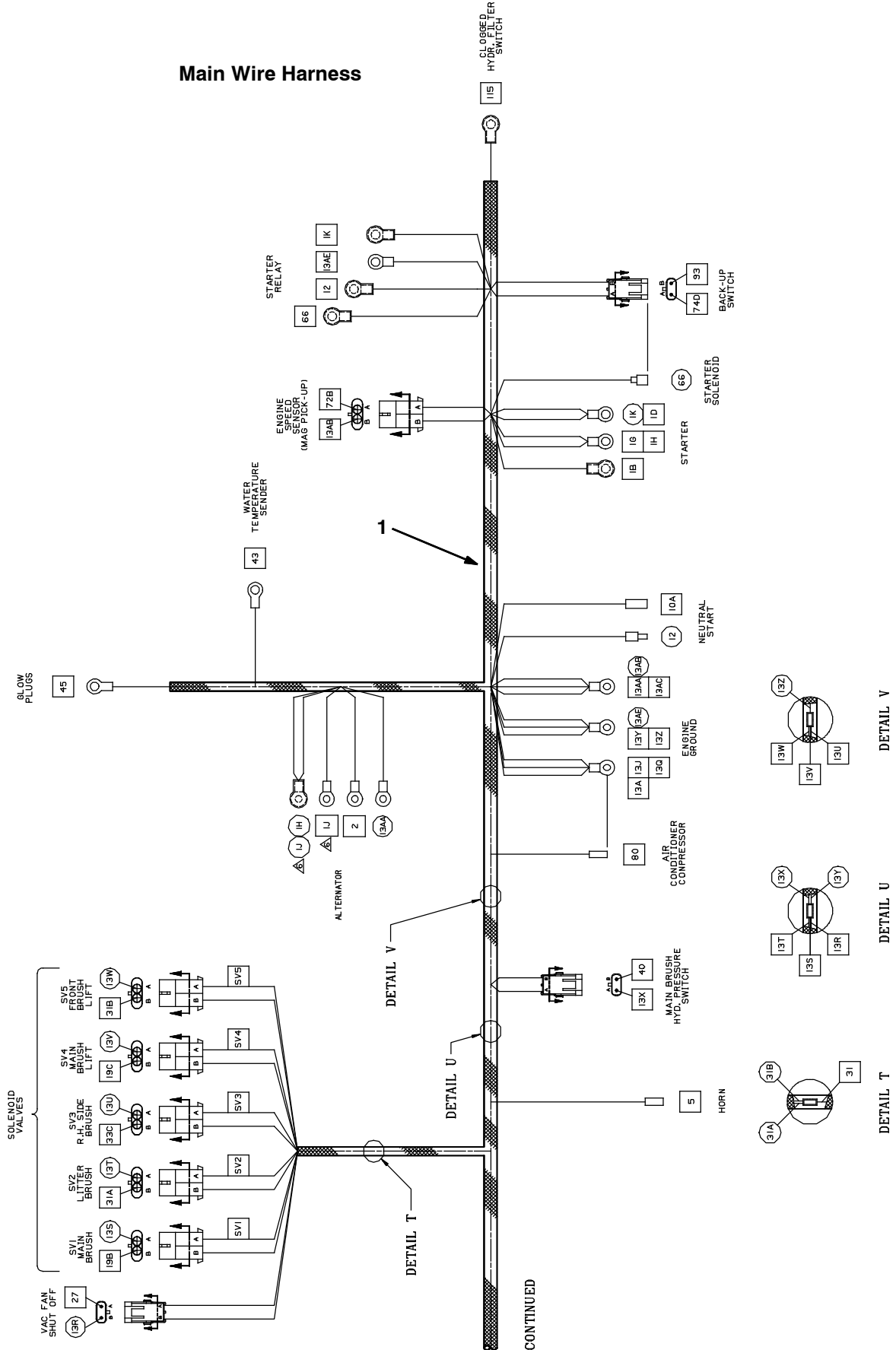


Fig. 66 - Wire Harnesses Group, Diesel, Main (004303-006008)

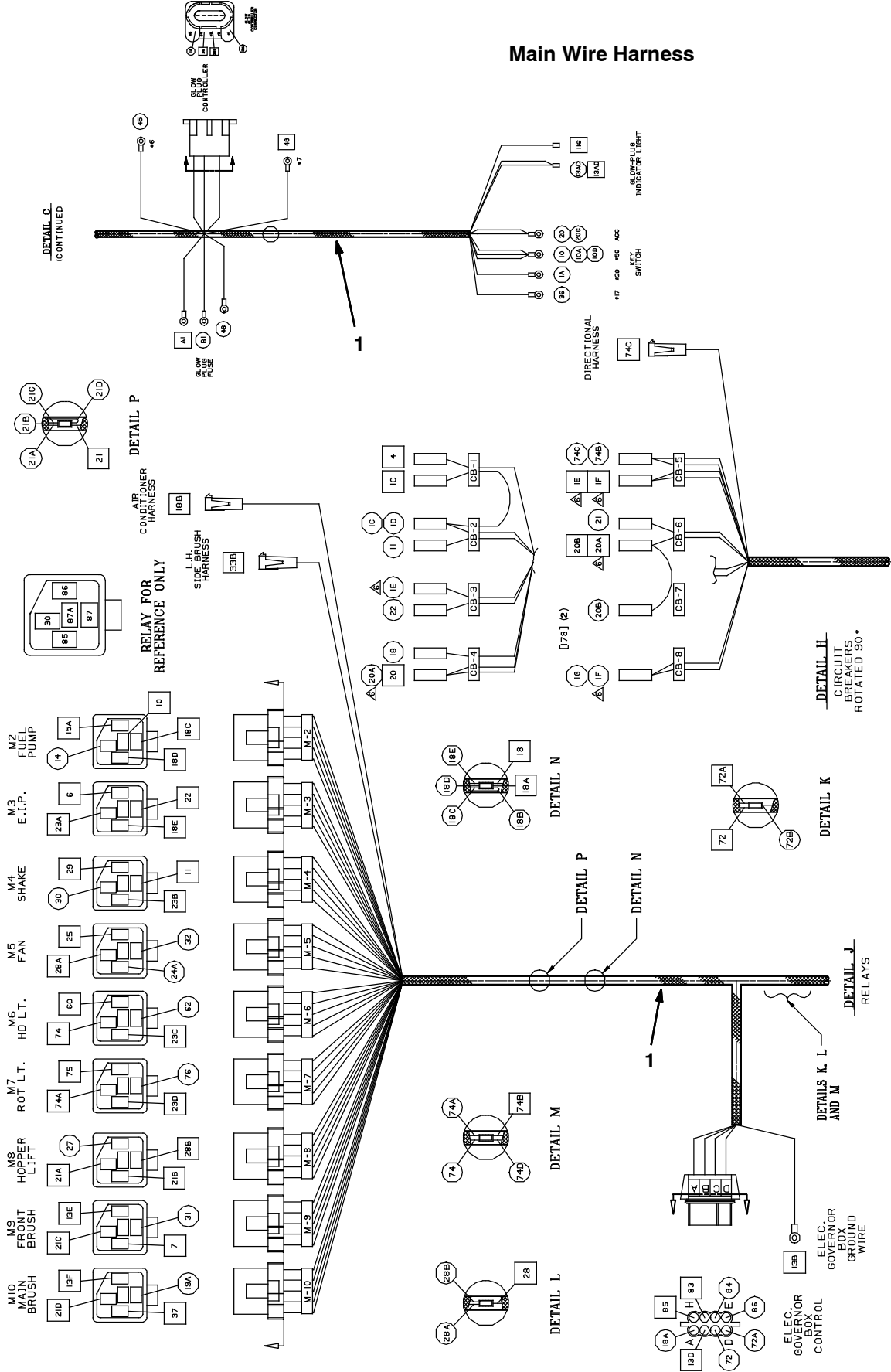


Fig. 66 - Wire Harnesses Group, Diesel, Main (004303-006008)

Ref.	Part No.	Serial Number	Description	Qty.
1	398314	(004303-006008)	Harness, Main, [800I], Dsl	1

Fig. 67 - Wire Harnesses Group, Diesel, Main (006009-)

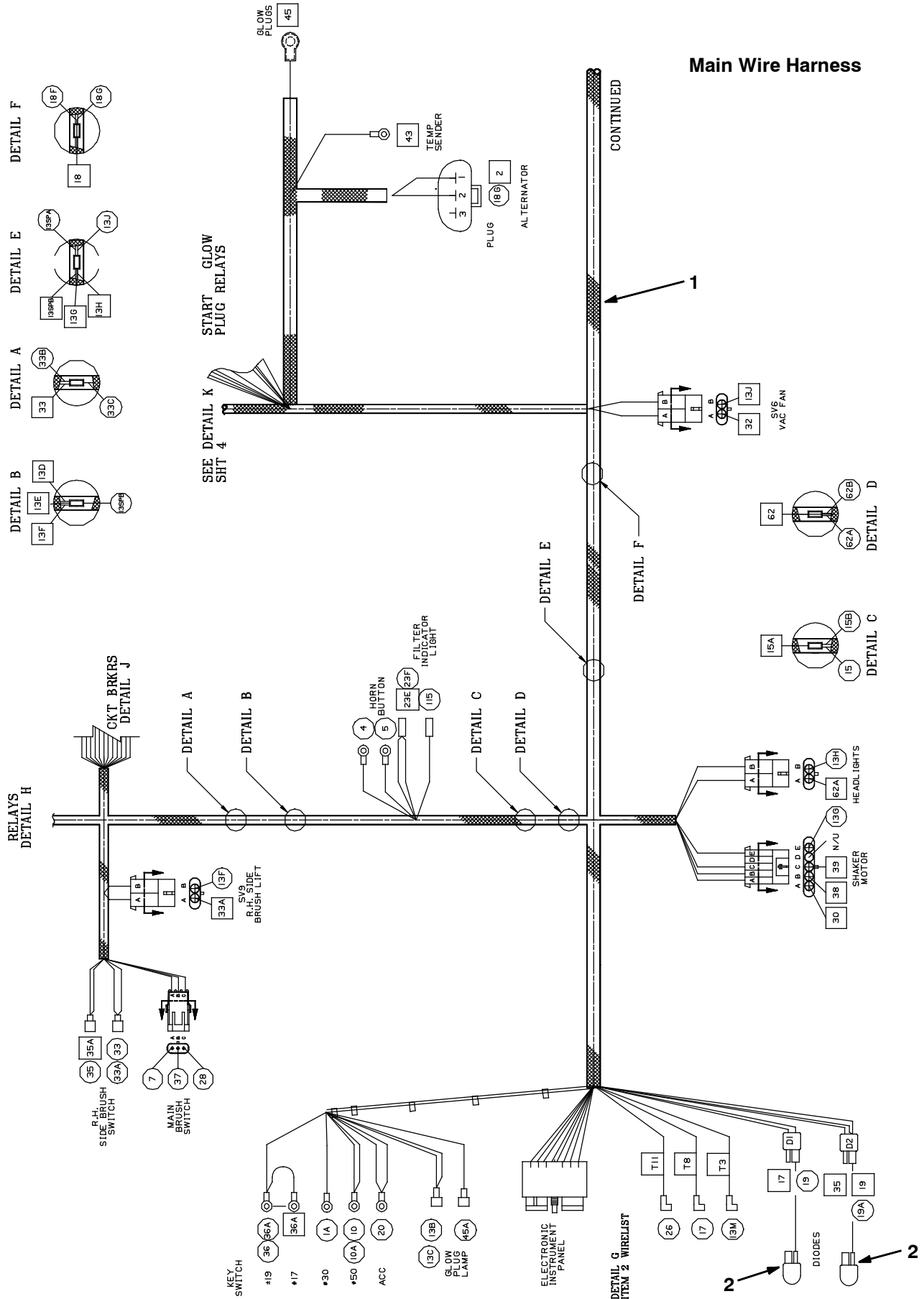


Fig. 67 - Wire Harness Group, Diesel, Main (006009-)

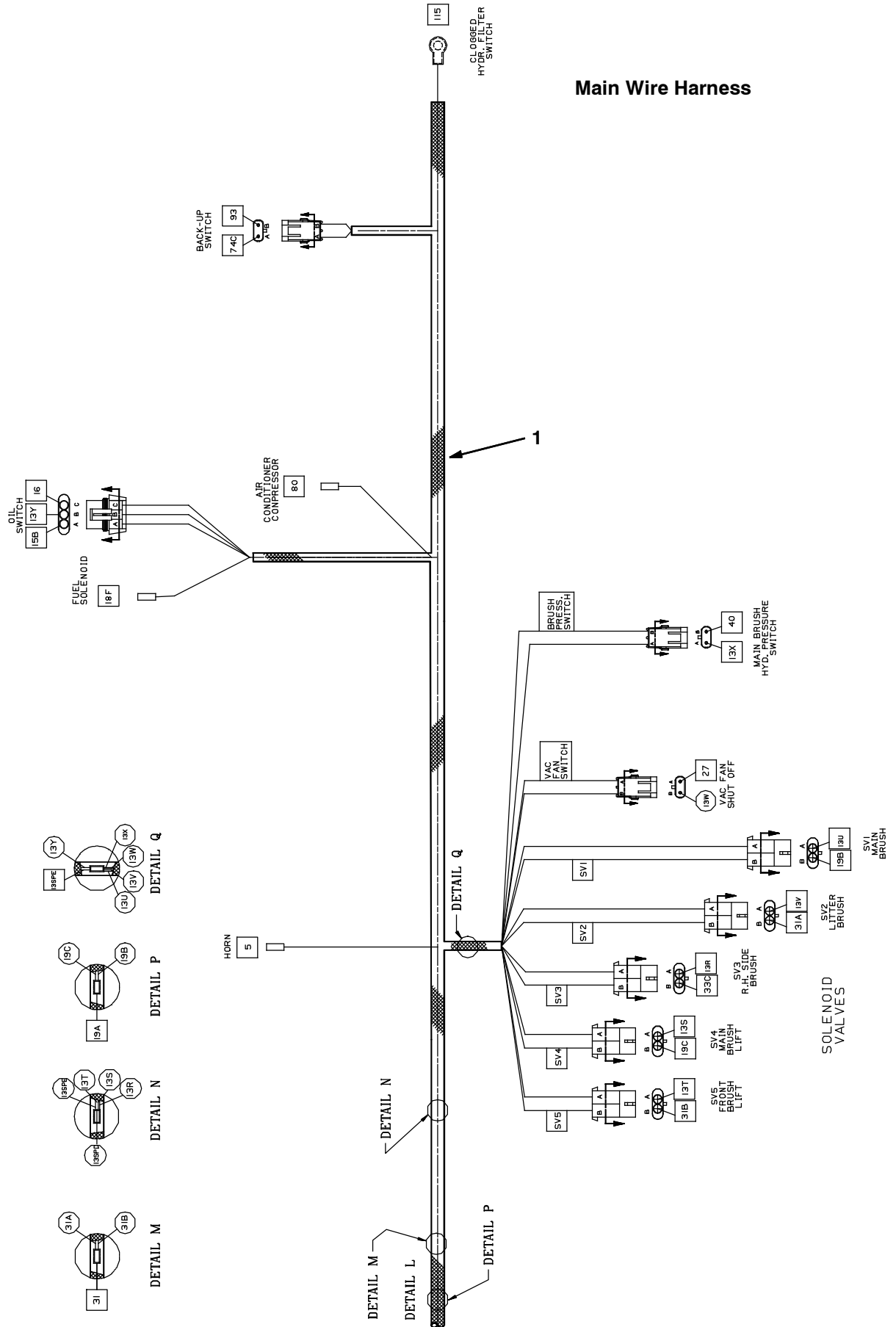


Fig. 67 - Wire Harness Group, Diesel, Main (006009-)

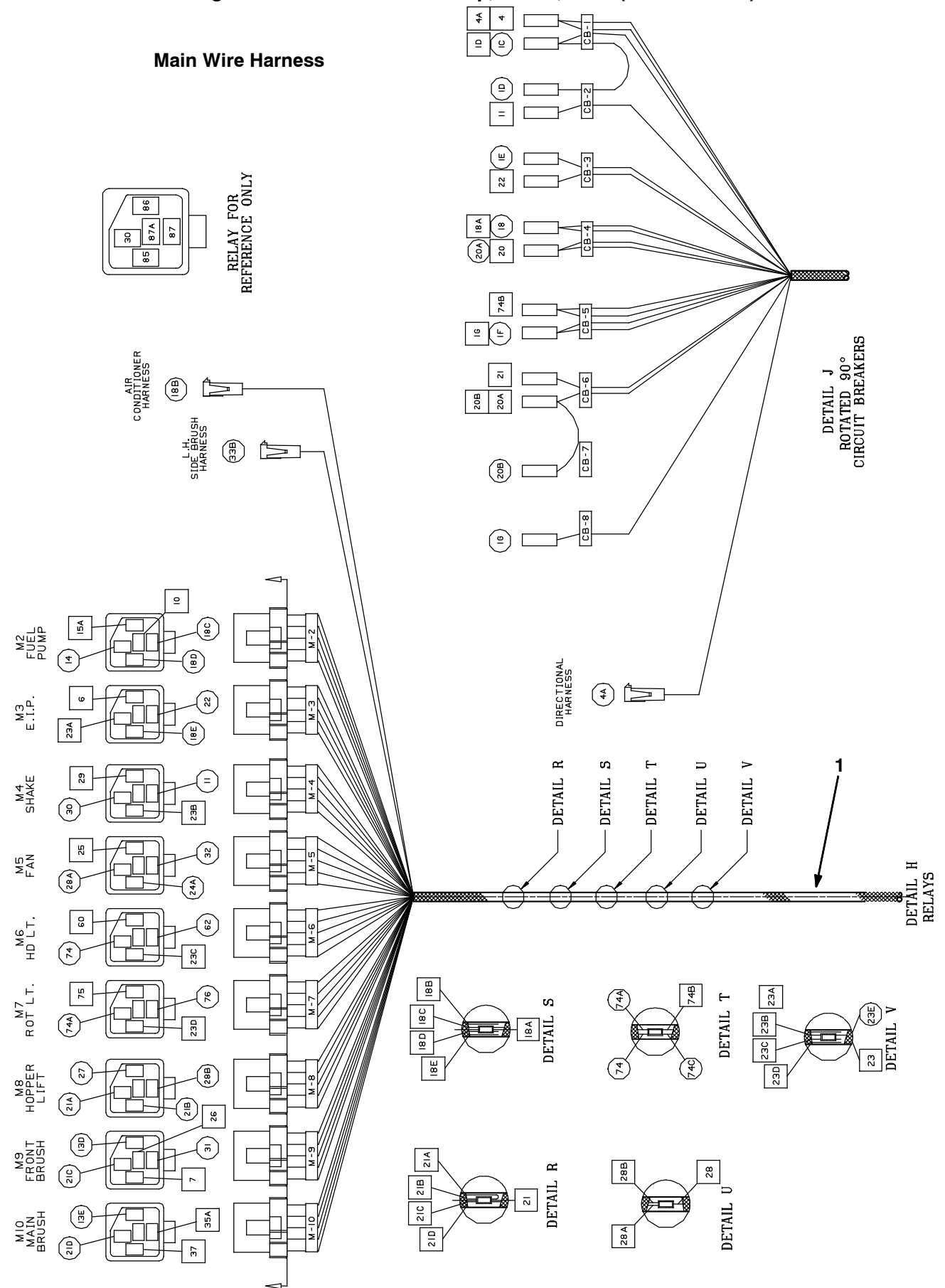


Fig. 67 - Wire Harnesses Group, Diesel, Main (006009-)

Main Wire Harness

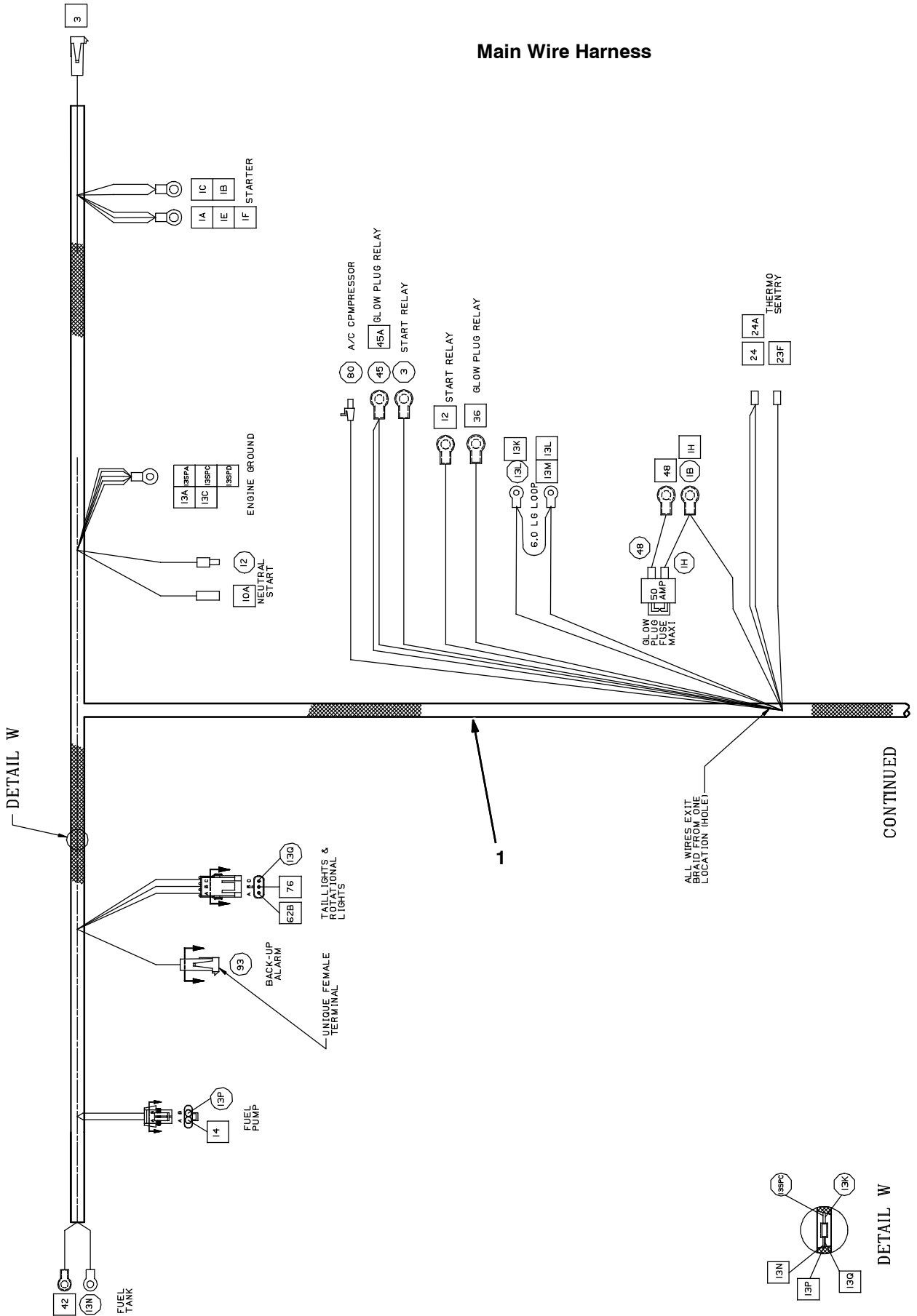
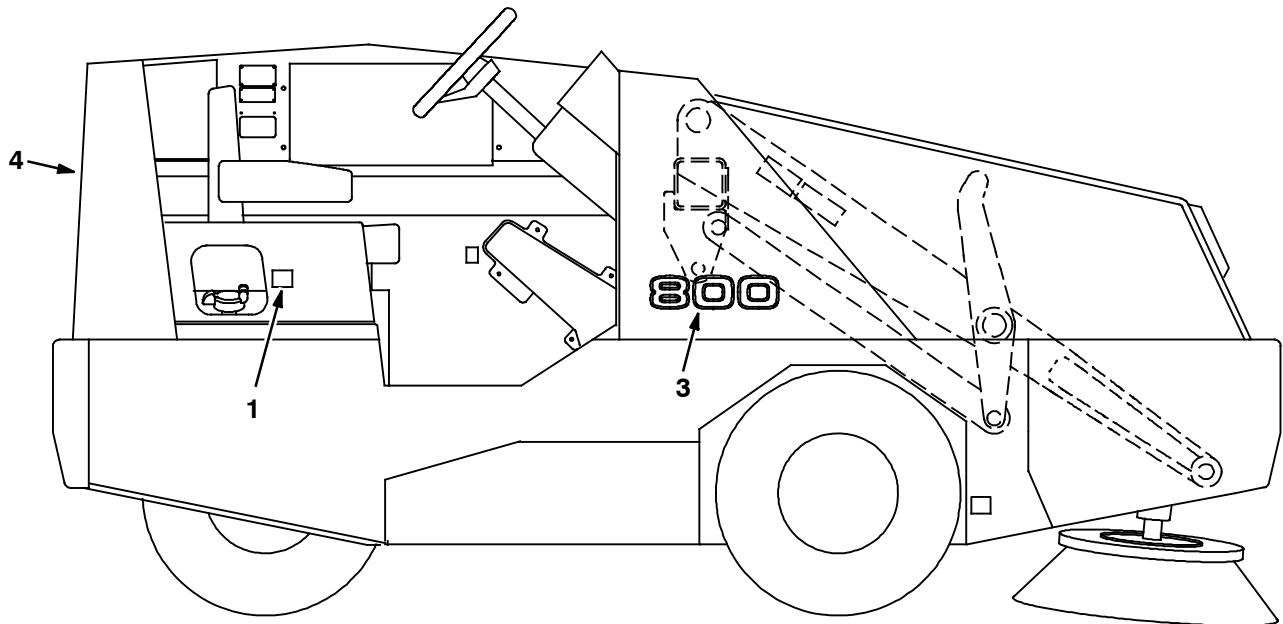
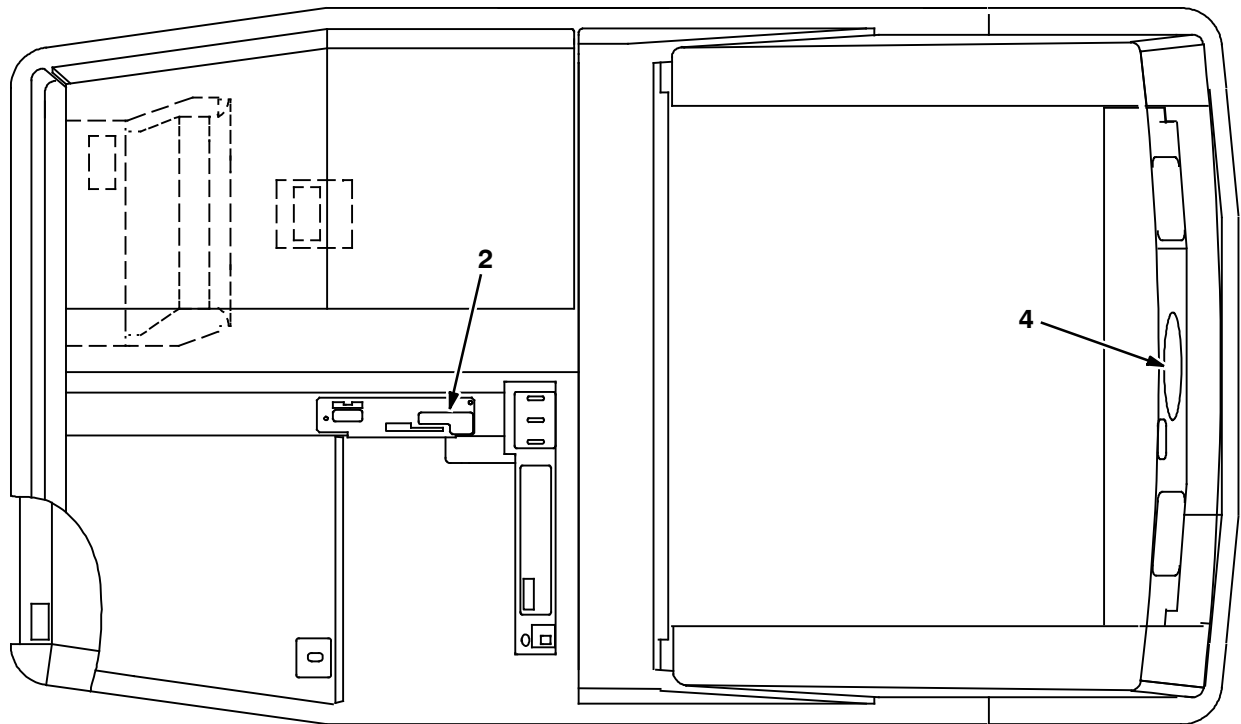


Fig. 67 - Wire Harnesses Group, Diesel, Main (006009-)

	Ref.	Part No.	Serial Number	Description	Qty.
▽	1	380780	(006009-)	Harness, Main, Die 800/810	1
▲		394921	(006009-)	Fuse, Blade, 050a [Maxi]	1
	2	222290	(006009-)	Diode, Ele, Plug	2

Fig. 68 - Label Group



08774 - 800, NA

Ref.	Part No.	Serial Number	Description	Qty.
1	59767	(004000-) Label Set, Info & Hazard	1
2	70705	(004000-) Label Set, Operational 800	1
3	70536	(004000-) Label, Numerals 800	2
4	09806	(004000-) Label, Logo, 10.4l,Oval[Tennant,Blu/Grn]	2

SECTION 3

Contents	Page
Fig. 1 - Light Kit, Flashing Overhead, Guard . . .	3-2
Fig. 2 - Light Kit, Flashing, Cab	3-4
Fig. 3 - Light Kit, Strobe Overhead, Guard	3-6
Fig. 4 - Light Kit, Strobe, Cab	3-8
Fig. 5 - Light Kit, Flashing, Low	3-10
Fig. 6 - Light Kit, Strobe, Low	3-12
Fig. 7 - Back-Up Alarm Kit	3-14
Fig. 8 - Turn Signal Kit	3-16
Fig. 9 - Overhead Guard Kit	3-18
Fig. 10 - Hopper Floor Kit	3-20
Fig. 11 - Bumper Assembly, SE	3-21
Fig. 12 - Brush Lift Group, Side, L.H.	3-22
Fig. 13 - Brush Group, Side, L.H.	3-26
Fig. 14 - Brush Wire Harness Group, Side, L.H.	3-30
Fig. 15 - Brush Hydraulic Hose Group, Side, L.H.	3-31
Fig. 16 - Brush Light Kit, Side	3-32
Fig. 17 - Cab Kit	3-34
Fig. 18 - Cab Mirror Kit	3-36
Fig. 19 - Cab Seals Group	3-38
Fig. 20 - Cab AC and Heater Group	3-40
Fig. 21 - Cab AC Compressor Group	3-42
Fig. 22 - Cab AC and Heater Electrical Group .	3-44
Fig. 23 - Cab Heater Group	3-46
Fig. 24 - Cab Heater Electrical Group	3-48
Fig. 25 - Alternator Group, SE (004000-006008)	3-50
Fig. 26 - Vacuum Wand Kit	3-52
Fig. 27 - Side Brush Dust Control Kit	3-54
Fig. 28 - Protectoseal Fuel Tank Cap Group . .	3-56
Fig. 29 - Fire Extinguisher Kit	3-57
Fig. 30 - Solid Tire and Rim Assembly	3-58
Fig. 31 - Seat Belt Kit	3-59
Fig. 32 - RFS Filter System Group	3-60
Fig. 33 - Cab AC Drain Hose Kit	3-62
Fig. 34 - Neutral Start Group	3-64
Fig. 35 - Documentation Group	3-65

Fig. 1 - Light Kit, Flashing, Overhead Guard

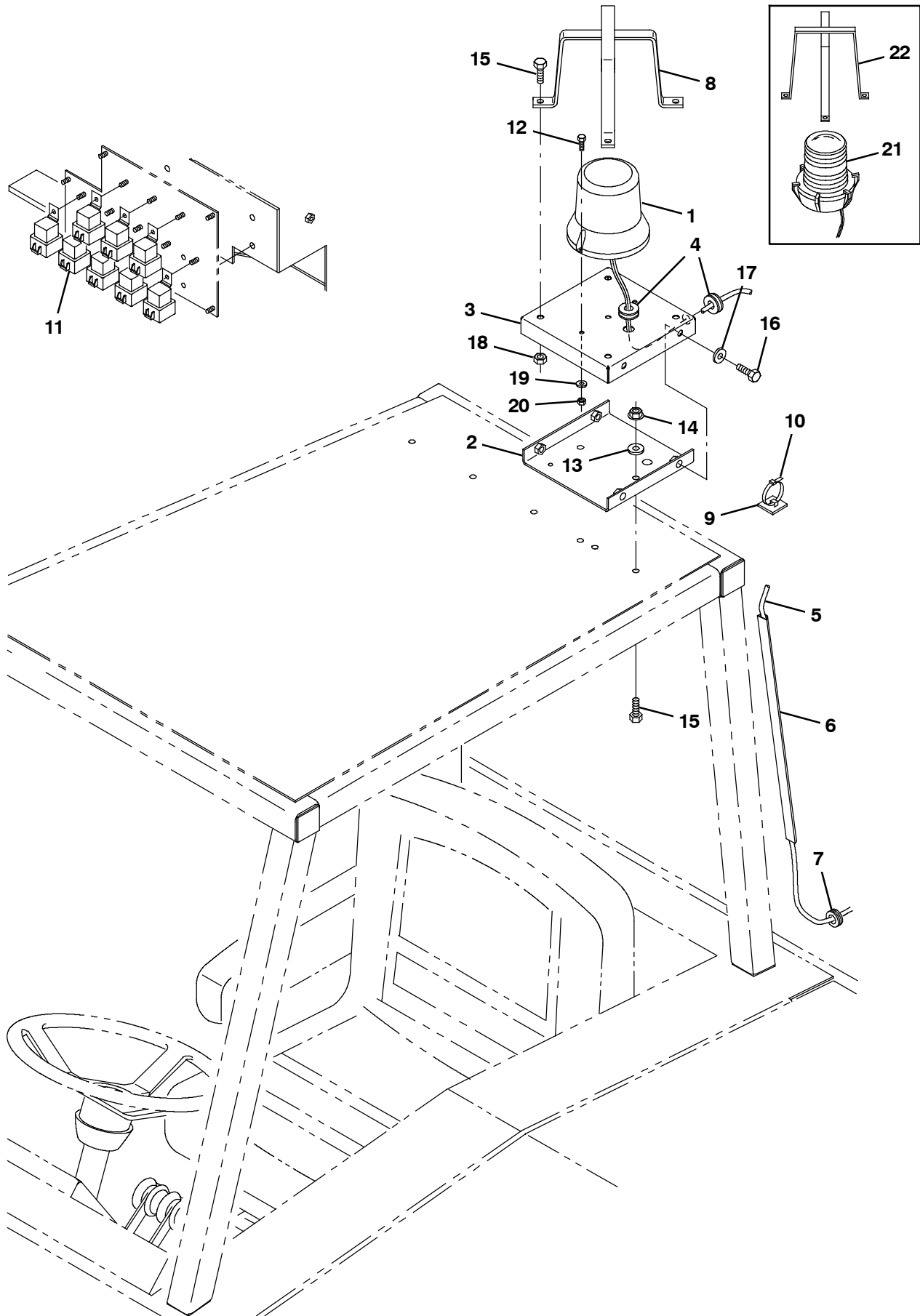


Fig. 1 - Light Kit, Flashing, Overhead Guard

Ref.	Part No.	Serial Number	Description	Qty.
▽	73755	(004000-) Light Kit Flsh 800L Ohg	1
▲▽	1 1017248	(007677-) Light, Flsh, Amb, 12-48vdc	1
▲▲	9000879	(007677-) Lens, Amb, F/ Strobe / Flasher	1
▲▲	9000846	(007677-) Lamp, Bulb, Flsh	1
▲	2 73899	(004000-) Bracket	1
▲	3 73898	(004000-) Panel	1
▲	4 10632-20	(004000-) Grommet,Rbr,0.38ld,For .06Matl	2
▲	5 74000	(004000-) Harness, Strobe/Flsh Light,Cab,Ohg	1
▲	6 1064050	(004000-) Duct, Afmkt, Vyl, 0.40 X 0.75 .25d, 04ft	1
▲	7 10632-4	(004000-) Grommet,Rbr,0.63ld,For .06Matl	1
▲	8 1070125	(007677-) Guard Wldt, Light, Strobe/Flsh	1
▲	9 55248	(004000-) Cable Tie Mount	1
▲	10 49266	(004000-) Tie, Cable	1
▲	11 56186	(004000-) Relay, Shrouded, 12V	1
▲	12 09244	(007677-) Screw, Hex, M5 X 0.80 X 16, 8.8	2
▲	13 32490	(004000-) Washer, Flat, 0.25, Std	2
▲	14 07791	(004000-) Nut, Hex, Flng, M8 X 1.25	2
▲	15 16931	(004000-) Screw, Hex, M8 X 1.25 X 20, 8.8	6
▲	16 15675	(004000-) Screw, Hex, M8 X 1.25 X 16, Ss	4
▲	17 39349	(004000-) Washer, Flat, 0.31, Sae	4
▲	18 08709	(004000-) Nut, Hex, Lock, M8 X 1.25, NI	4
▲	19 19066	(007677-) Washer, Flat, 0.25b 0.56d .05, PI, 10	2
▲	20 06549	(007677-) Nut, Hex, Lock, M5 X 0.80, NI	2
	1027798	(007677-) Lens, Red, F/ Strobe / Flasher	1
	1027800	(007677-) Lens, Blu, F/ Strobe / Flasher	1
▽	21 82063	(004000-007676)	Light, Flashing, Amber, 12V-Re	1
▲	58520	(004000-007676)	Lens,Flashing Lite Fr207 Amber	1
▲	45779	(004000-007676)	Bulb, 12V	1
	22 45272	(004000-007676)	Guard Wldt, Lights, Strobe & Flsh	1
	58518	(004000-007676)	Lens,Flashing Lite Fr207 Red	1
	58519	(004000-007676)	Lens,Flashing Lite Fr207 Blue	1

Fig. 2 - Light Kit, Flashing, Cab

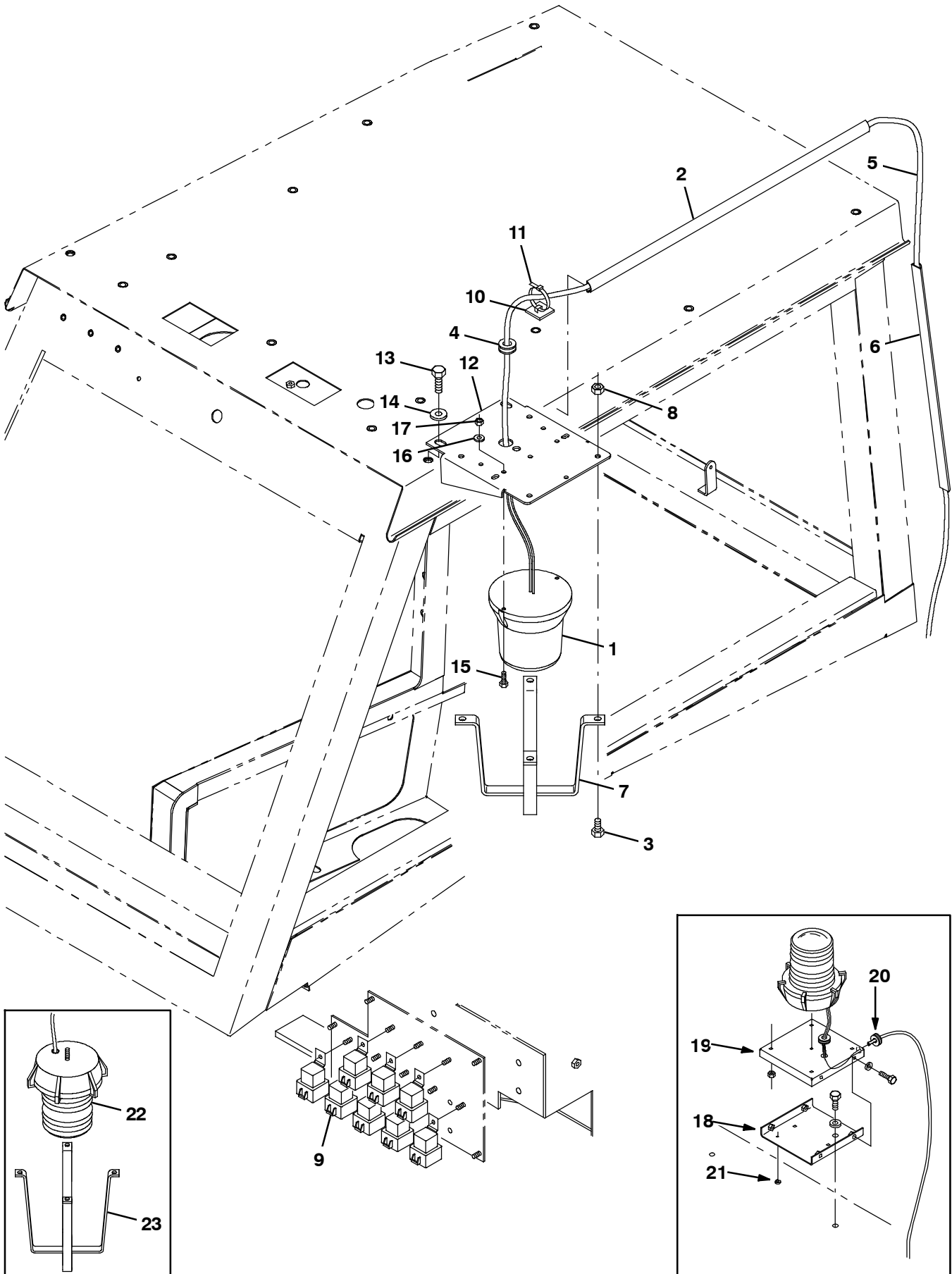


Fig. 2 - Light Kit, Flashing, Cab

Ref.	Part No.	Serial Number	Description	Qty.
▽	73751	(004000-) Light Kit Flsh 800L Cab	1
▲▽	1 1017248	(007677-) Light, Flsh, Amb, 12-48vdc	1
▲▲	9000879	(007677-) Lens, Amb, F/ Strobe / Flasher	1
▲▲	9000846	(007677-) Lamp, Bulb, Flsh	1
▲	2 1064050	(xxxxxx-) Duct, Afmkt, Vyl, 0.40 X 0.75 .25d, 04ft	1
▲	3 15675	(004000-) Screw, Hex, M8 X 1.25 X 16, Ss	4
▲	4 10632-20	(004000-) Grommet,Rbr,0.38ld,For .06Matl	1
▲	5 74000	(004000-) Harness, Strobe/Flsh Light,Cab,Ohg	1
▲	6 1064050	(004000-) Duct, Afmkt, Vyl, 0.40 X 0.75 .25d, 04ft	1
▲	7 1070125	(007677-) Guard Wldt, Light, Strobe/Flsh	1
▲	8 08709	(004000-) Nut, Hex, Lock, M8 X 1.25, NI	4
▲	9 56186	(004000-) Relay, Shrouded, 12V	1
▲	10 55248	(004000-) Cable Tie Mount	1
▲	11 49266	(004000-) Tie, Cable	1
▲	12 1066763	(xxxxxx-) Bracket, Mtg, Light, Rotating	1
▲	13 09028	(xxxxxx-) Screw, Hex, M10 X 1.50 X 25, Ss	2
▲	14 32492	(xxxxxx-) Washer, Flat, 0.38, Std	2
▲	15 09244	(007677-) Screw, Hex, M5 X 0.80 X 16, 8.8	2
▲	16 19066	(007677-) Washer, Flat, 0.25b 0.56d .05, PI, 10	2
▲	17 06549	(007677-) Nut, Hex, Lock, M5 X 0.80, NI	2
	1027798	(007677-) Lens, Red, F/ Strobe / Flasher	1
	1027800	(007677-) Lens, Blu, F/ Strobe / Flasher	1
	18 73899	(004000- xxxxxx)	Bracket	1
	19 73898	(004000- xxxxxx)	Panel	1
	20 10632-20	(004000- xxxxxx)	Grommet,Rbr,0.38ld,For .06Matl	1
	21 29233	(004000- xxxxxx)	Bumper, Rubber	4
▽	22 82063	(004000-007676)	Light, Flashing, Amber, 12V-Re	1
▲	58520	(004000-007676)	Lens,Flashing Lite Fr207 Amber	1
▲	45779	(004000-007676)	Bulb, 12V	1
	23 45272	(004000-007676)	Guard Wldt, Lights, Strobe & Flsh	1
	58518	(004000-007676)	Lens,Flashing Lite Fr207 Red	1
	58519	(004000-007676)	Lens,Flashing Lite Fr207 Blue	1

Fig. 3 - Light Kit, Strobe, Overhead Guard

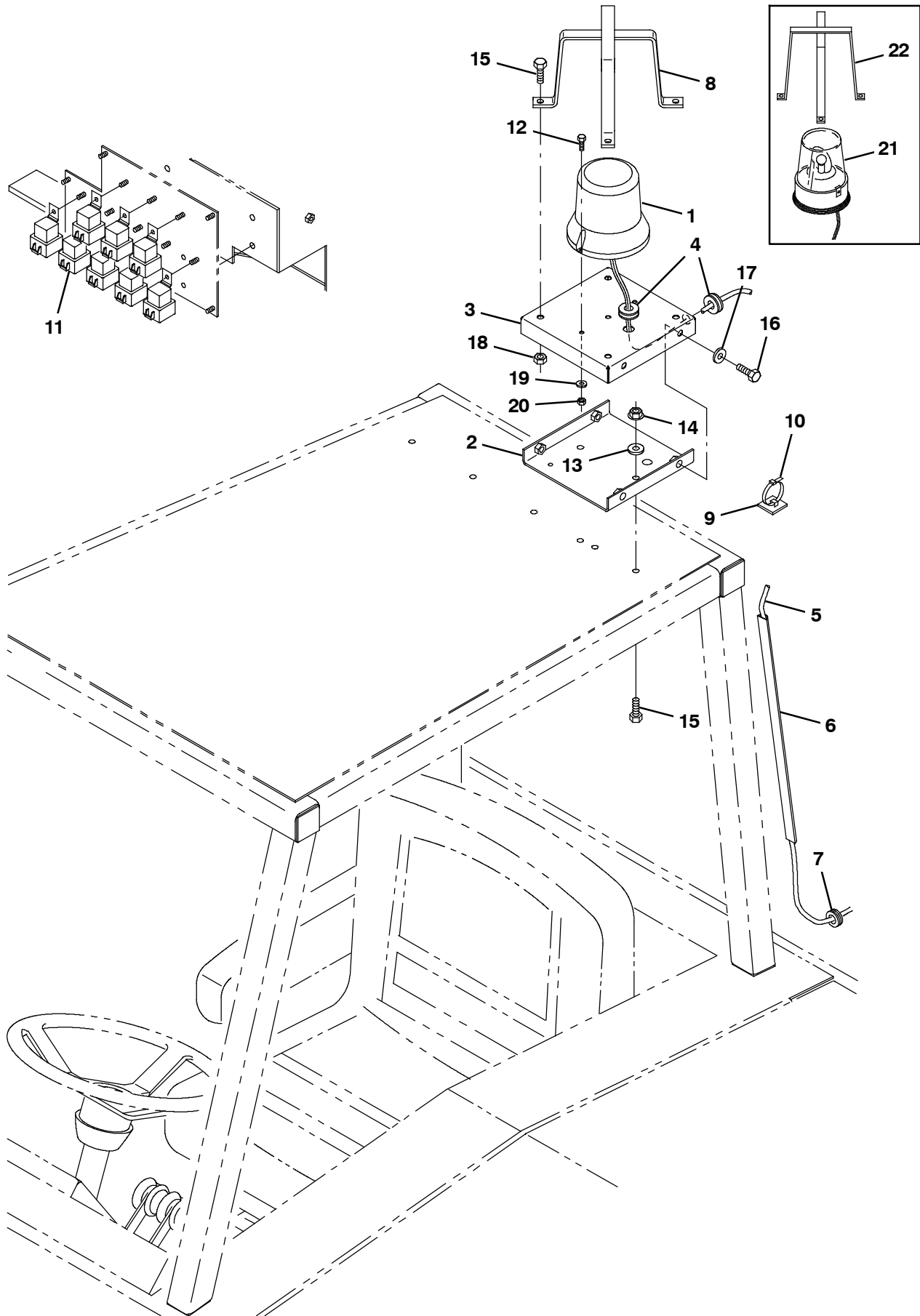


Fig. 3 - Light Kit, Strobe, Overhead Guard

Ref.	Part No.	Serial Number	Description	Qty.
▽	73757	(004000-) Light Kit Strobe 800L Ohg	1
▲▽	1 1017250	(007677-) Light, Strobe, Amb, 12-48vdc	1
▲▲	9000879	(007677-) Lens, Amb, F/ Strobe / Flasher	1
▲▲	9000845	(007677-) Lamp, Bulb, Strobe	1
▲	2 73899	(004000-) Bracket	1
▲	3 73898	(004000-) Panel	1
▲	4 10632-20	(004000-) Grommet,Rbr,0.38ld,For .06Matl	2
▲	5 74000	(004000-) Harness, Strobe/Flsh Light,Cab,Ohg	1
▲	6 1064050	(004000-) Duct, Afmkt, Vyl, 0.40 X 0.75 .25d, 04ft	1
▲	7 10632-4	(004000-) Grommet,Rbr,0.63ld,For .13Matl	1
▲	8 1070125	(007677-) Guard Wldt, Light, Strobe/Flsh	1
▲	9 55248	(004000-) Cable Tie Mount	1
▲	10 49266	(004000-) Tie, Cable	1
▲	11 56186	(004000-) Relay, Shrouded, 12V	1
▲	12 09244	(007677-) Screw, Hex, M5 X 0.80 X 16, 8.8	2
▲	13 32490	(004000-) Washer, Flat, 0.25, Std	2
▲	14 07791	(004000-) Nut, Hex, Flng, M8 X 1.25	2
▲	15 16931	(004000-) Screw, Hex, M8 X 1.25 X 20, 8.8	6
▲	16 15675	(004000-) Screw, Hex, M8 X 1.25 X 16, Ss	4
▲	17 39349	(004000-) Washer, Flat, 0.31, Sae	4
▲	18 08709	(004000-) Nut, Hex, Lock, M8 X 1.25, NI	4
▲	19 19066	(007677-) Washer, Flat, 0.25b 0.56d .05, PI, 10	2
▲	20 06549	(007677-) Nut, Hex, Lock, M5 X 0.80, NI	2
	1027798	(007677-) Lens, Red, F/ Strobe / Flasher	1
	1027800	(007677-) Lens, Blu, F/ Strobe / Flasher	1
▽	21 82200	(004000-007676)	Light, Strobe.Amber 12V-Reworked	1
▲	44681-1	(004000-007676)	Lens, Strobe.Light,Amber	1
▲	45779	(004000-007676)	Bulb, 12V	1
▲	22 45272	(004000-007676)	Guard Wldt, Lights, Strobe & Flsh	1
	44681	(004000-007676)	Lens, Strobe.Light,Red	1
	44681-2	(004000-007676)	Lens, Strobe.Light,Blue	1

Fig. 4 - Light Kit, Strobe, Cab

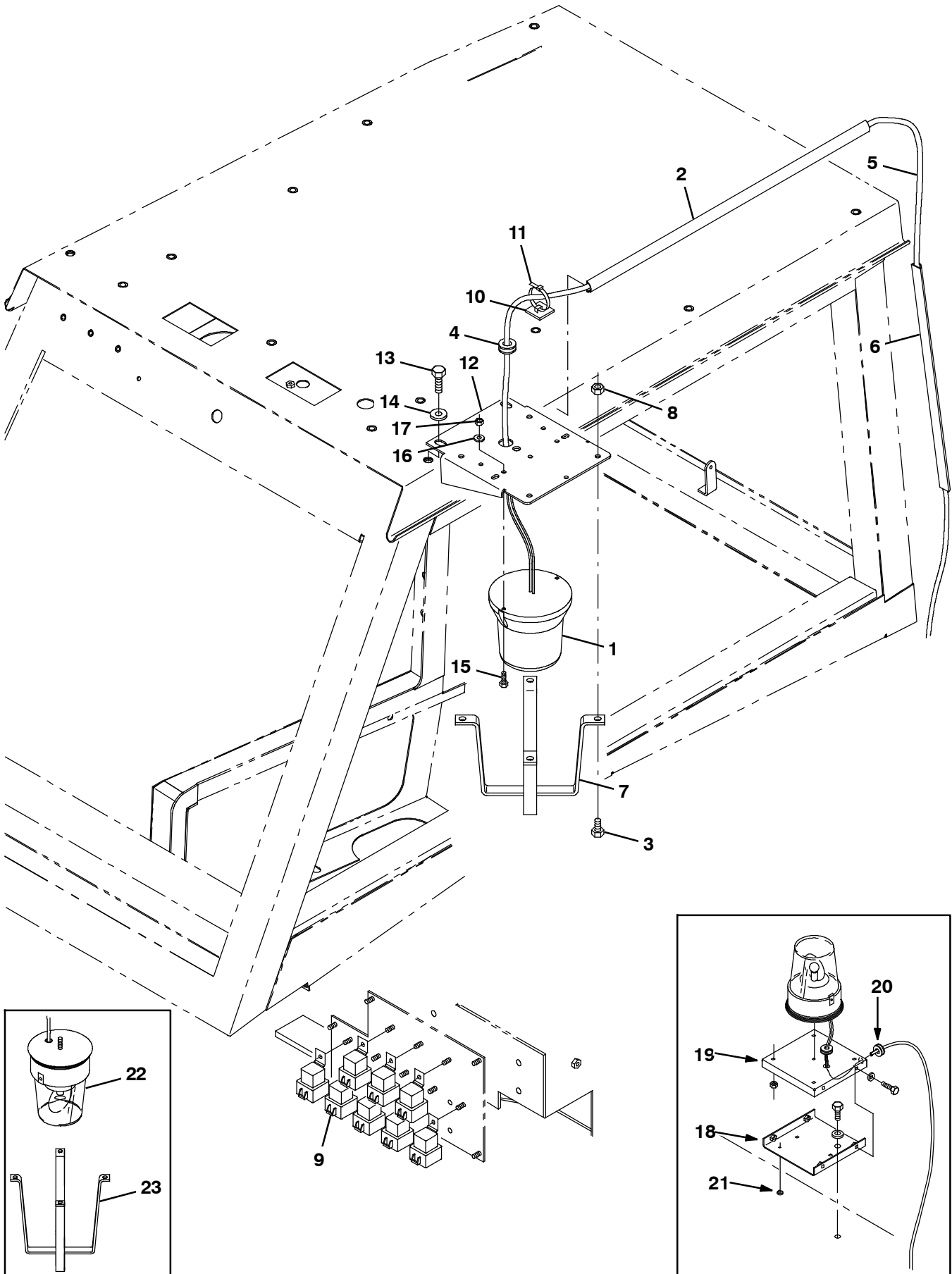


Fig. 4 - Light Kit, Strobe, Cab

Ref.	Part No.	Serial Number	Description	Qty.
▽	73753	(004000-) Light Kit Strobe 800L Cab	1
▲▽	1 1017250	(007677-) Light, Strobe, Amb, 12-48vdc	1
▲▲	9000879	(007677-) Lens, Amb, F/ Strobe / Flasher	1
▲▲	9000845	(007677-) Lamp, Bulb, Strobe	1
▲	2 1064050	(xxxxxx-) Duct, Afmkt, Vyl, 0.40 X 0.75 .25d, 04ft	1
▲	3 15675	(004000-) Screw, Hex, M8 X 1.25 X 16, Ss	4
▲	4 10632-20	(004000-) Grommet,Rbr,0.38ld,For .06Matl	1
▲	5 74000	(004000-) Harness, Strobe/Flish Light,Cab,Ohg	1
▲	6 1064050	(004000-) Duct, Afmkt, Vyl, 0.40 X 0.75 .25d, 04ft	1
▲	8 08709	(004000-) Nut, Hex, Lock, M8 X 1.25, NI	4
▲	9 56186	(004000-) Relay, Shrouded, 12V	1
▲	10 55248	(004000-) Cable Tie Mount	1
▲	11 49266	(004000-) Tie, Cable	1
▲	12 1066763	(xxxxxx-) Bracket, Mtg, Light, Rotating	1
▲	13 09028	(xxxxxx-) Screw, Hex, M10 X 1.50 X 25, Ss	2
▲	14 32492	(xxxxxx-) Washer, Flat, 0.38, Std	2
▲	15 09244	(007677-) Screw, Hex, M5 X 0.80 X 16, 8.8	2
▲	16 19066	(007677-) Washer, Flat, 0.25b 0.56d .05, Pl, 10	2
▲	17 06549	(007677-) Nut, Hex, Lock, M5 X 0.80, NI	2
	1027798	(007677-) Lens, Red, F/ Strobe / Flasher	1
	1027800	(007677-) Lens, Blu, F/ Strobe / Flasher	1
	18 73899	(004000- xxxxxx)	Bracket	1
	19 73898	(004000- xxxxxx)	Panel	1
	20 10632-20	(004000- xxxxxx)	Grommet,Rbr,0.38ld,For .06Matl	1
	21 29233	(004000- xxxxxx)	Bumper, Rubber	1
▽	22 82200	(004000-007676)	Light, Strobe.Amber 12V-Reworked	1
▲	44681-1	(004000-007676)	Lens, Strobe.Light,Amber	1
▲	45779	(004000-007676)	Bulb, 12V	1
	23 45272	(004000-007676)	Guard Wldt, Lights, Strobe & Flish	1
	44681	(004000-007676)	Lens, Strobe Light, Red	1
	44681-2	(004000-007676)	Lens, Strobe Light, Blue	1

Fig. 5 - Light Kit, Flashing, Low

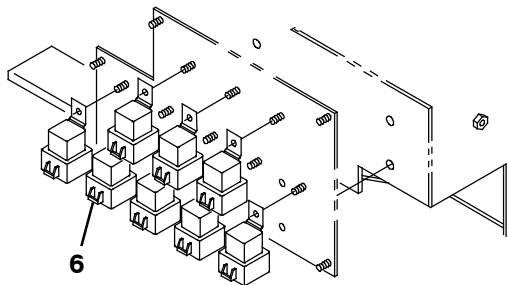
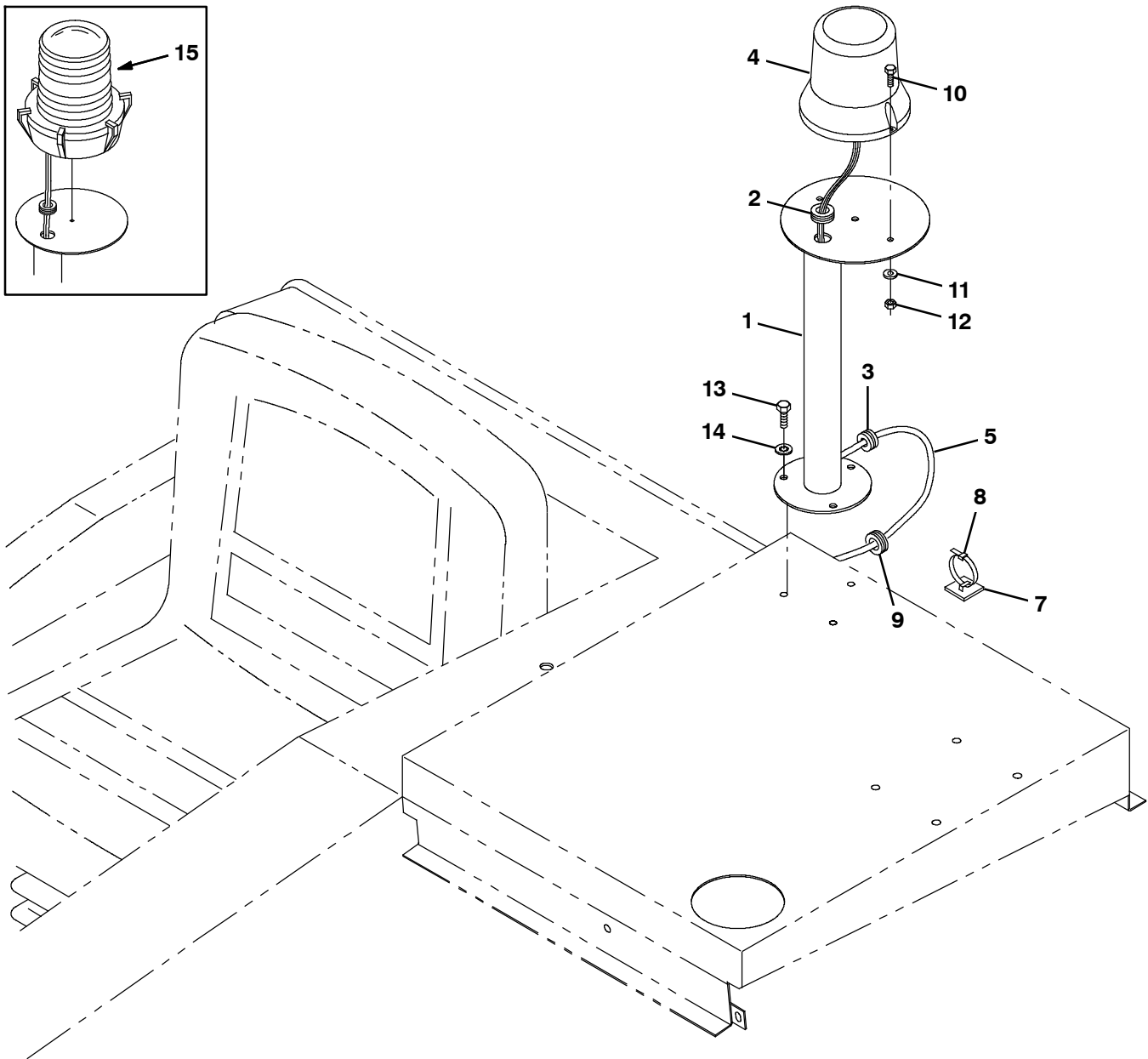


Fig. 5 - Light Kit, Flashing, Low

Ref.	Part No.	Serial Number	Description	Qty.
▽	380643	(004000-) Kit, Light, Flsh, Low	1
▲	1 31954	(004000-) Pedestal Wldt, Light	1
▲	2 10632-9	(004000-) Grommet, Rbr, 0.56 Id For .13mat	1
▲	3 10632-12	(004000-) Grommet, Rbr, 0.38 Id For .12mat	1
▲▽	4 1017248	(007677-) Light, Flsh, Amb, 12-48vdc	1
▲▲	9000879	(007677-) Lens, Amb, F/ Strobe / Flasher	1
▲▲	9000846	(007677-) Lamp, Bulb, Flsh	1
▲	5 380691	(004000-) Harness, Alarm, Backup	1
▲	6 56186	(004000-) Relay 12Vdc 40A Spdt	1
▲	7 55248	(004000-) Cabletie Mount, Adhesive	2
▲	8 49266	(004000-) Tie, Cable 1.75D Max 7.50Lg	2
▲	9 10632-4	(004000-) Grommet	1
▲	10 09244	(007677-) Screw, Hex, M5 X 0.80 X 16, 8.8	2
▲	11 19066	(007677-) Washer, Flat, 0.25b 0.56d .05, Pl, 10	2
▲	12 06549	(007677-) Nut, Hex, Lock, M5 X 0.80, NI	2
▲	13 06943	(004000-) Screw, Hex, M6 X 1.00 X 20, 8.8	3
▲	14 32982	(004000-) Washer, Lock, Int, 0.25	3
	1027798	(007677-) Lens, Red, F/ Strobe / Flasher	1
	1027800	(007677-) Lens, Blu, F/ Strobe / Flasher	1
▽	15 82063	(004000-007676)) Light, Flashing Amb 12v-re	1
▲	58520	(004000-007676)) Lens, Flashing Amb 12V	1
▲	45779	(004000-007676)) Bulb	1
	58518	(004000-007676)) Lens, Flashing Red	1
	58519	(004000-007676)) Lens, Flashing Blue	1

Fig. 6 - Light Kit, Strobe, Low

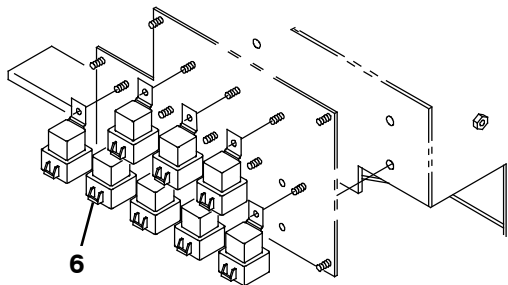
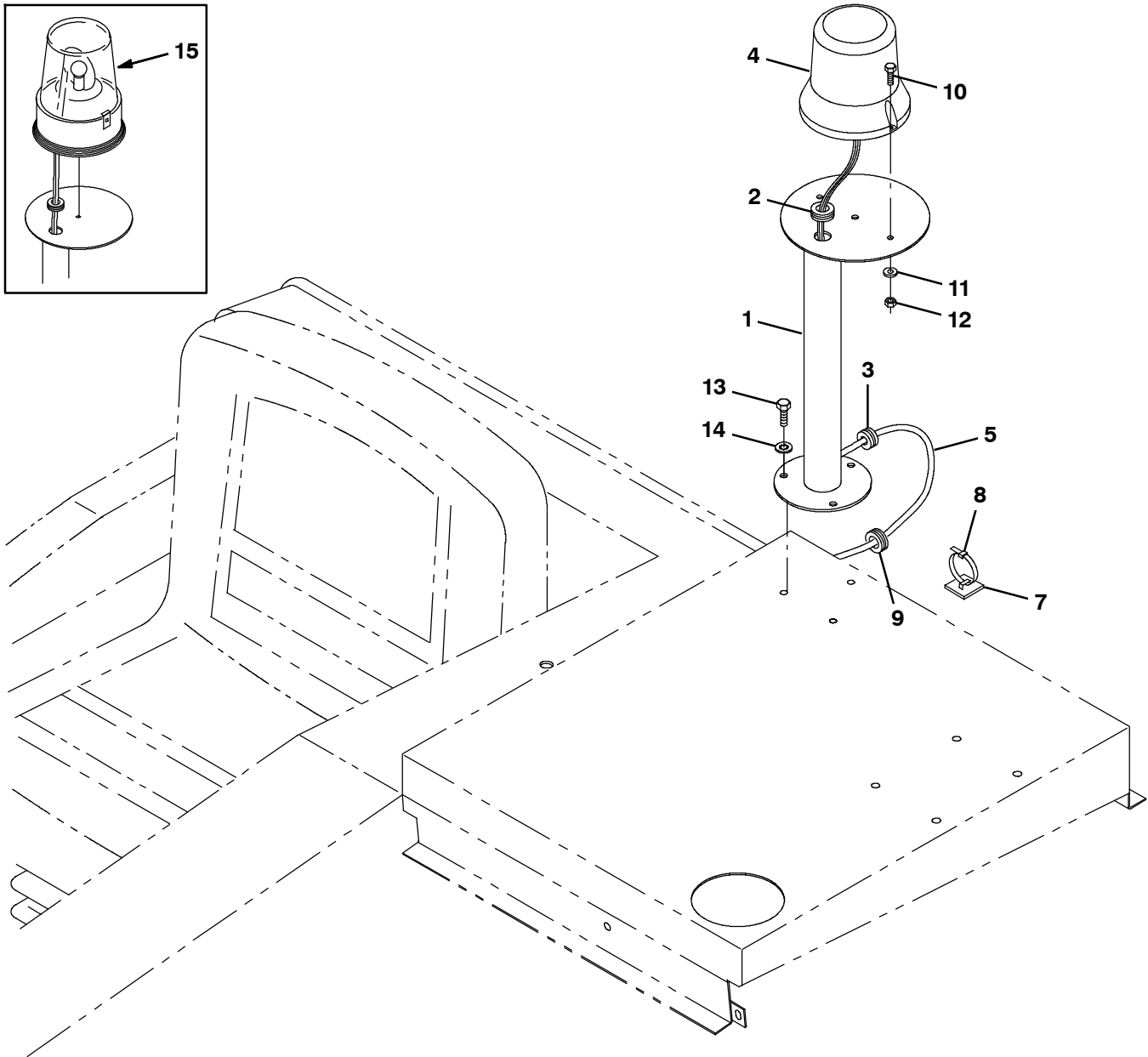


Fig. 6 - Light Kit, Strobe, Low

	Ref.	Part No.	Serial Number	Description	Qty.
▽		380644	(004000-) Kit, Light, Strobe, Low	1
▲	1	31954	(004000-) Pedestal Wldt, Light	1
▲	2	10632-9	(004000-) Grommet, Rbr, 0.56 Id For .13mat	1
▲	3	10632-12	(004000-) Grommet, Rbr, 0.38 Id For .12mat	1
▲▽	4	1017250	(007677-) Light, Strobe, Amb, 12-48vdc	1
▲▲		9000879	(007677-) Lens, Amb, F/ Strobe / Flasher	1
▲▲		9000845	(007677-) Lamp, Bulb, Strobe	1
▲	5	380691	(004000-) Harness, Alarm, Backup	1
▲	6	56186	(004000-) Relay 12Vdc 40A Spdt	1
▲	7	55248	(004000-) Cabletie Mount, Adhesive	2
▲	8	49266	(004000-) Tie, Cable 1.75D Max 7.50Lg	2
▲	9	10632-4	(004000-) Grommet	1
▲	10	09244	(007677-) Screw, Hex, M5 X 0.80 X 16, 8.8	2
▲	11	19066	(007677-) Washer, Flat, 0.25b 0.56d .05, Pl, 10	2
▲	12	06549	(007677-) Nut, Hex, Lock, M5 X 0.80, NI	2
▲	13	06943	(004000-) Screw, Hex, M6 X 1.00 X 20, 8.8	3
▲	14	32982	(004000-) Washer, Lock, Int, 0.25	3
		1027798	(007677-) Lens, Red, F/ Strobe / Flasher	1
		1027800	(007677-) Lens, Blu, F/ Strobe / Flasher	1
▽	15	82200	(004000-007676)) Light, Strobe Amber 12v-re	1
▲		44681-1	(004000-007676)) Lens, Strobe Light, Amber	1
▲		45779	(004000-007676)) Bulb	1
		44681	(004000-007676)) Lens, Strobe Light, Red	1
		44681-2	(004000-007676)) Lens, Strobe Light, Blue	1

Fig. 7 - Back-Up Alarm Kit

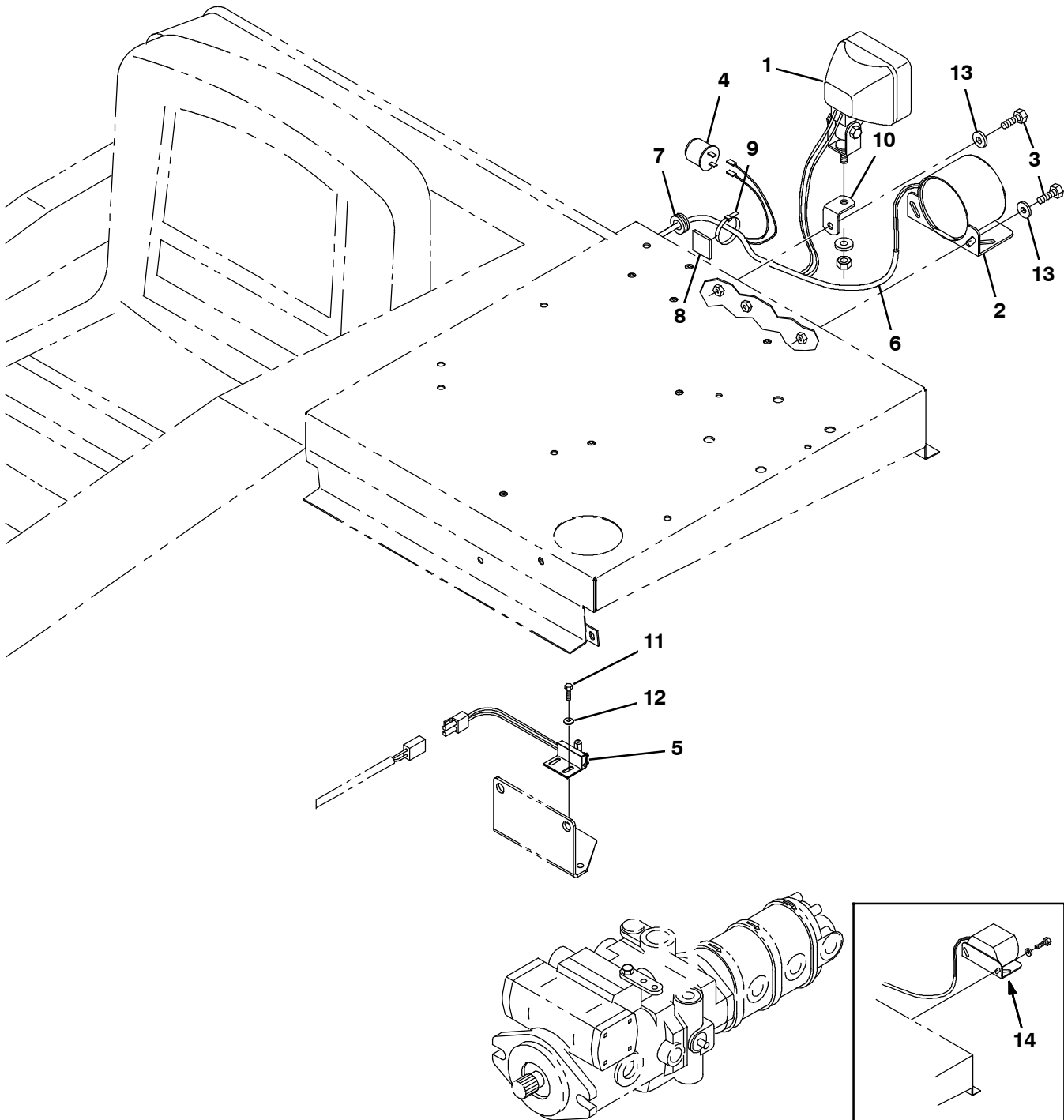


Fig. 7 - Back-Up Alarm Kit

	Ref.	Part No.	Serial Number	Description	Qty.
▽		380640	(004000-) Kit, Alarm, Backup	1
▲▽	1	382978	(004000-) Light, Spot 12V, 32cp	1
▲▲		393770	(004000-) Lamp, 12VDC 55w	1
▲	2	9007131	(007519-) Alarm Assy, Backup, 12/48vdc	1
▲	3	06943	(004000-) Screw, Hex, M6 X 1.00 X 20, 8.8	3
▲	4	24576	(004000-) Flasher, 12v	1
▲	5	59965	(004000-) Switch Assy, Roller-no	1
▲	6	380691	(004000-) Harness, Alarm, Back-up	1
▲	7	10632-4	(004000-) Grommet	1
▲	8	55248	(004000-) Mount, Tie	2
▲	9	49266	(004000-) Tie, Cable	2
▲	10	76385	(004000-) Bracket	1
▲	11	09206	(004000-) Screw, Hex, M4 X 0.70 X 12, 8.8	2
▲	12	19065	(004000-) Washer, Flat, 08	2
▲	13	32483	(004000-) Washer, Flat, 0.25, Sae	3
	14	61923	(004000-007518)	Horn, Back-up Alarm	1

Fig. 8 - Turn Signal Kit

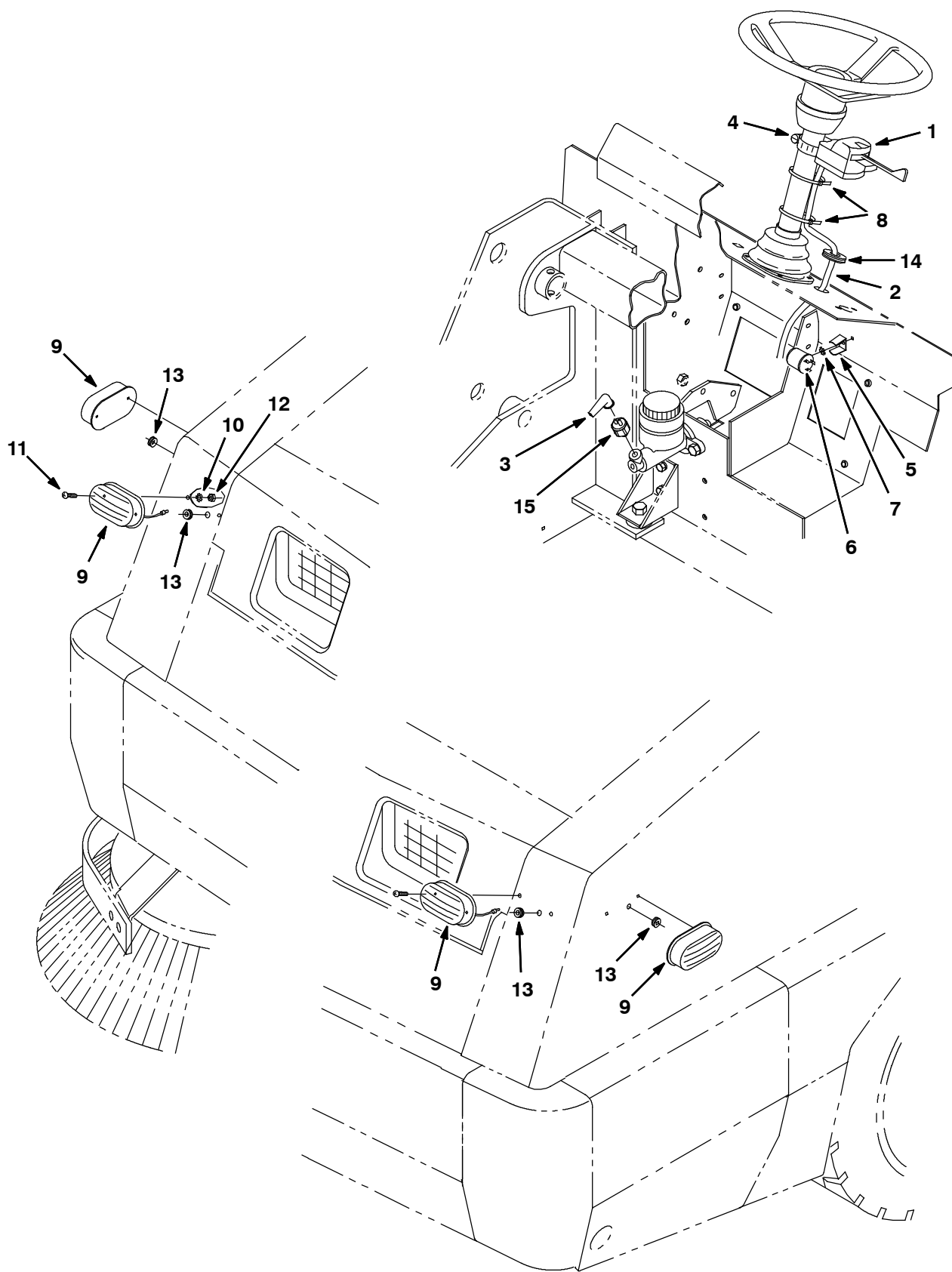


Fig. 8 - Turn Signal Kit

	Ref.	Part No.	Serial Number	Description	Qty.
▽		380712	(004000-) Kit, Signal, Turn	1
▲	1	60751	(004000-) Signal Turn	1
▲	2	76423	(004000-) Harness, Directional	1
▲	3	61365	(004000-) Boot, 90deg .44id 0.62id 1.69l, Blk	1
▲	4	11531	(004000-) Clamp-Wormdrive, 0.81- 1.50D	1
▲	5	24576-1	(004000-) Bracket, Flasher	1
▲	6	31922	(004000-) Flasher Heavy Duty	1
▲	7	41139	(004000-) Washer-Loc Int-Ext 10 Pltd	1
▲	8	49266	(004000-) Tie, Cable	4
▲▽	9	34848	(004000-) Light Assy Mark/Yel 12V- . A	4
▲▲		87948	(004000-) Bulb, #194	1
▲	10	41140	(004000-) Washer-Loc Int-Ext .25 Pltd	8
▲	11	06927	(004000-) Screw, Pan, M04	8
▲	12	02850	(004000-) Nut, Hex, Lock	8
▲	13	10632-5	(004000-) Grommet Rbr 0.25ld For .09Matl	5
▲	14	10632-8	(004000-) Grommet,Rbr,0.75ld,For .13Matl	1
▲	15	13959	(004000-) Switch	1

Fig. 9 - Overhead Guard Kit

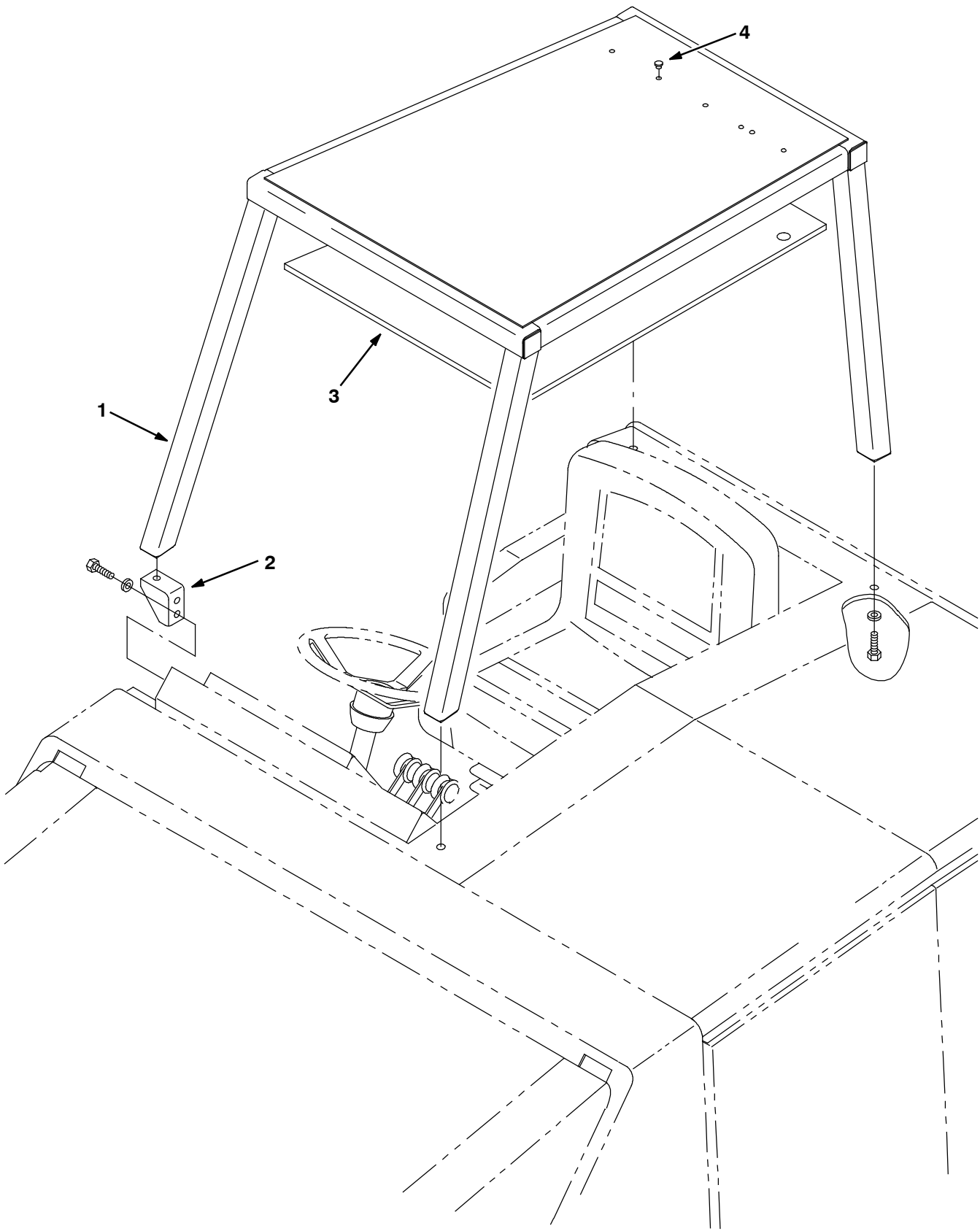
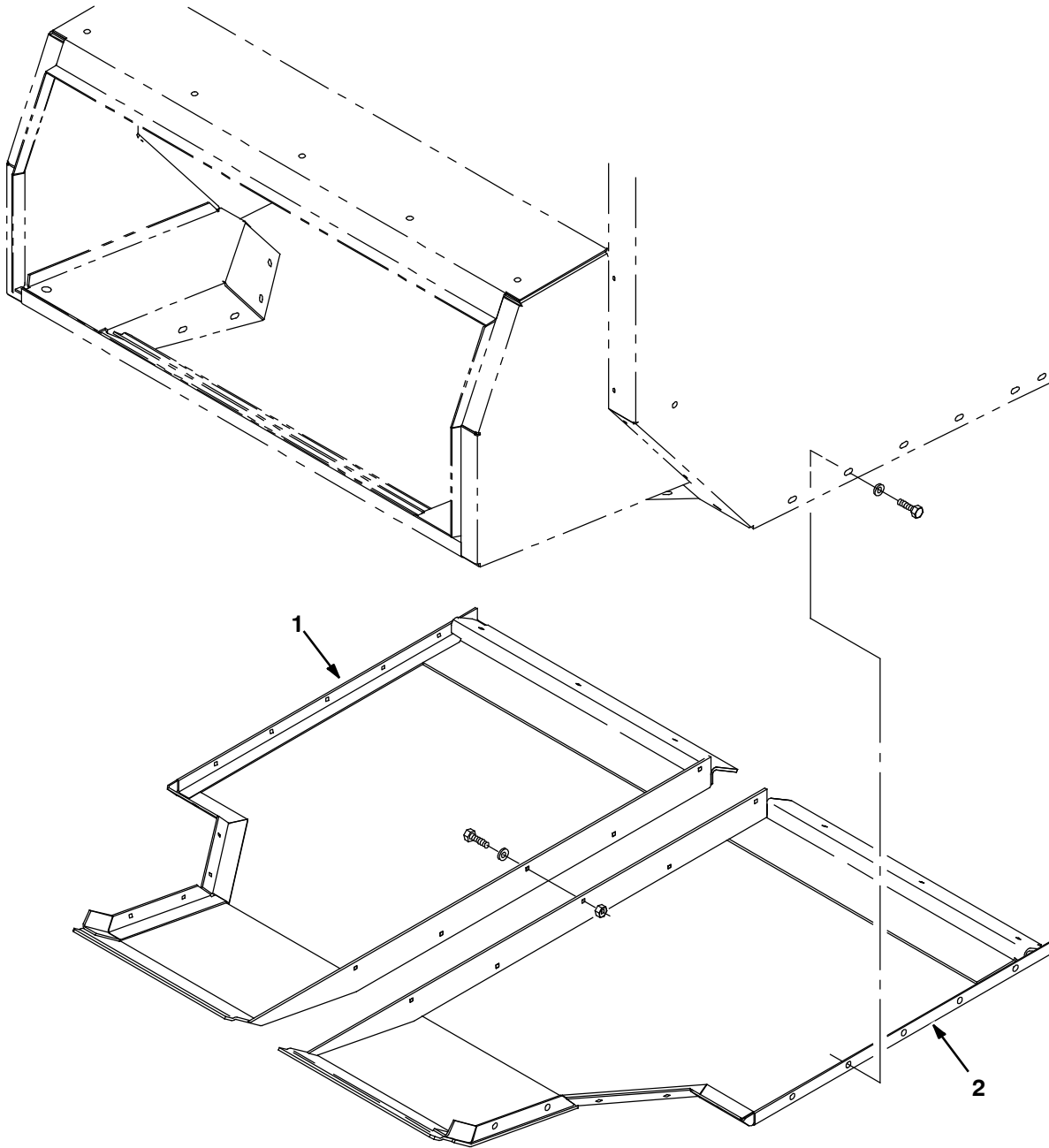


Fig. 9 - Overhead Guard Kit

	Ref.	Part No.	Serial Number	Description	Qty.
▽		70669	(004000-) Guard Kit, Overhead	1
▲	1	65258	(004000-) Guard Wldt, Overhead	1
▲	2	70454	(004000-) Bracket, Mtg, Ohg	1
▲	3	74007	(004000-) Foam, Insulation	1
▲	4	33806	(004000-) Plugbutton	6

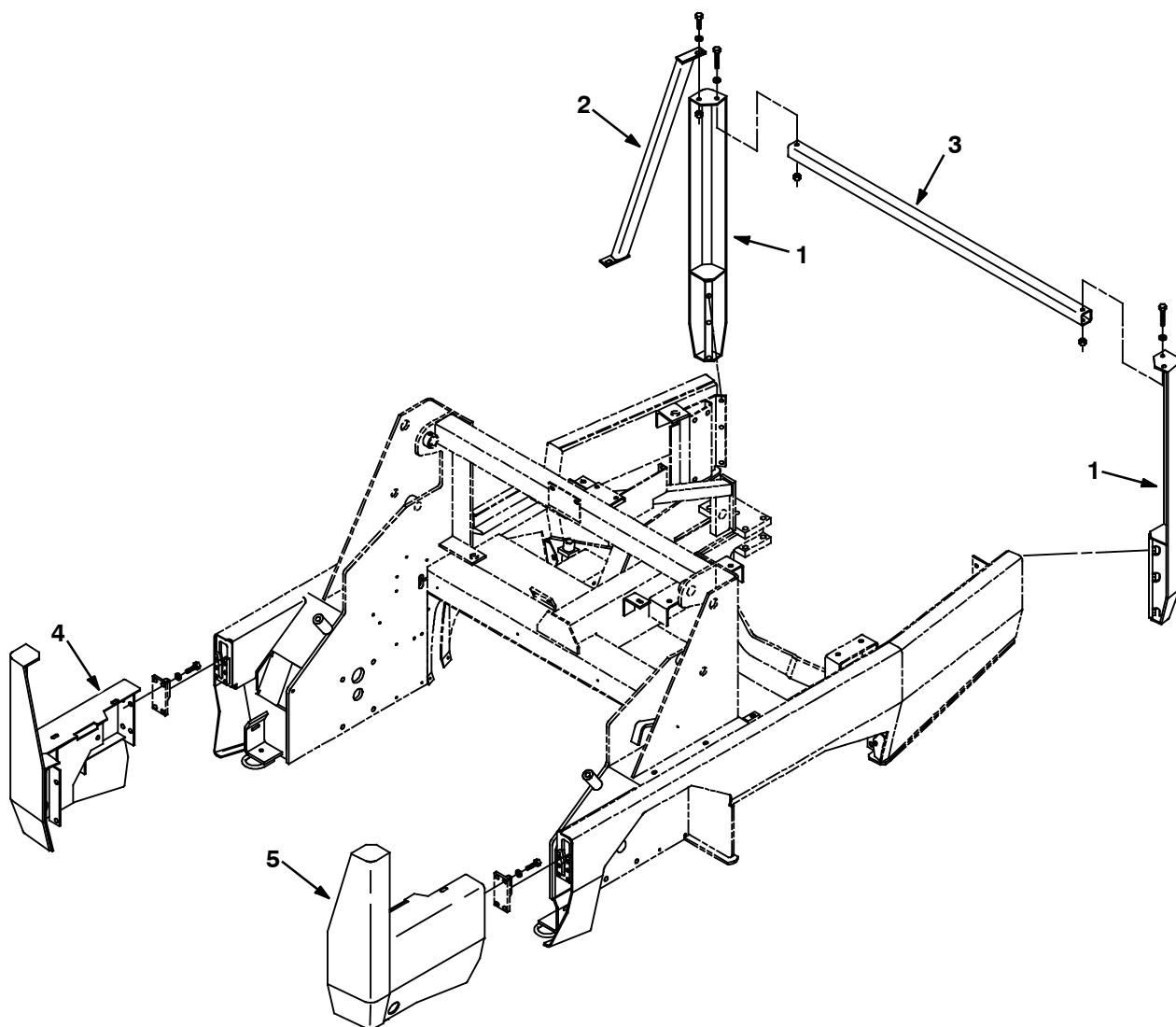
Fig. 10 - Hopper Floor Kit



07668 - 800

Ref.	Part No.	Serial Number	Description	Qty.
▽	70686	(004000-) Hopper Floor Kit, St Stl 800	1
▲	1 77611	(004000-) Panel Wldt, Hopper, Floor, RH	1
▲	2 77613	(004000-) Panel Wldt, Hopper, Floor, LH	1

Fig. 11 - Bumper Assembly, SE



09909 - ALL

Ref.	Part No.	Serial Number	Description	Qty.
▽	83557	(004000-) Bumper Assy, Se	1
▲	1 70802	(004000-) Leg Wldt, Bumper, Se	2
▲	2 70793	(004000-) Brace Wldt, Bumper, Se	1
▲	3 70815	(004000-) Tube, Cross, Bumper, Se	1
▲	4 83626	(004000-) Bumper Wldt, Se, Rh, Front	1
▲	5 83627	(004000-) Bumper Wldt, Se, Lh, Front	1

Fig. 12 - Brush Lift Group, Side, L.H.

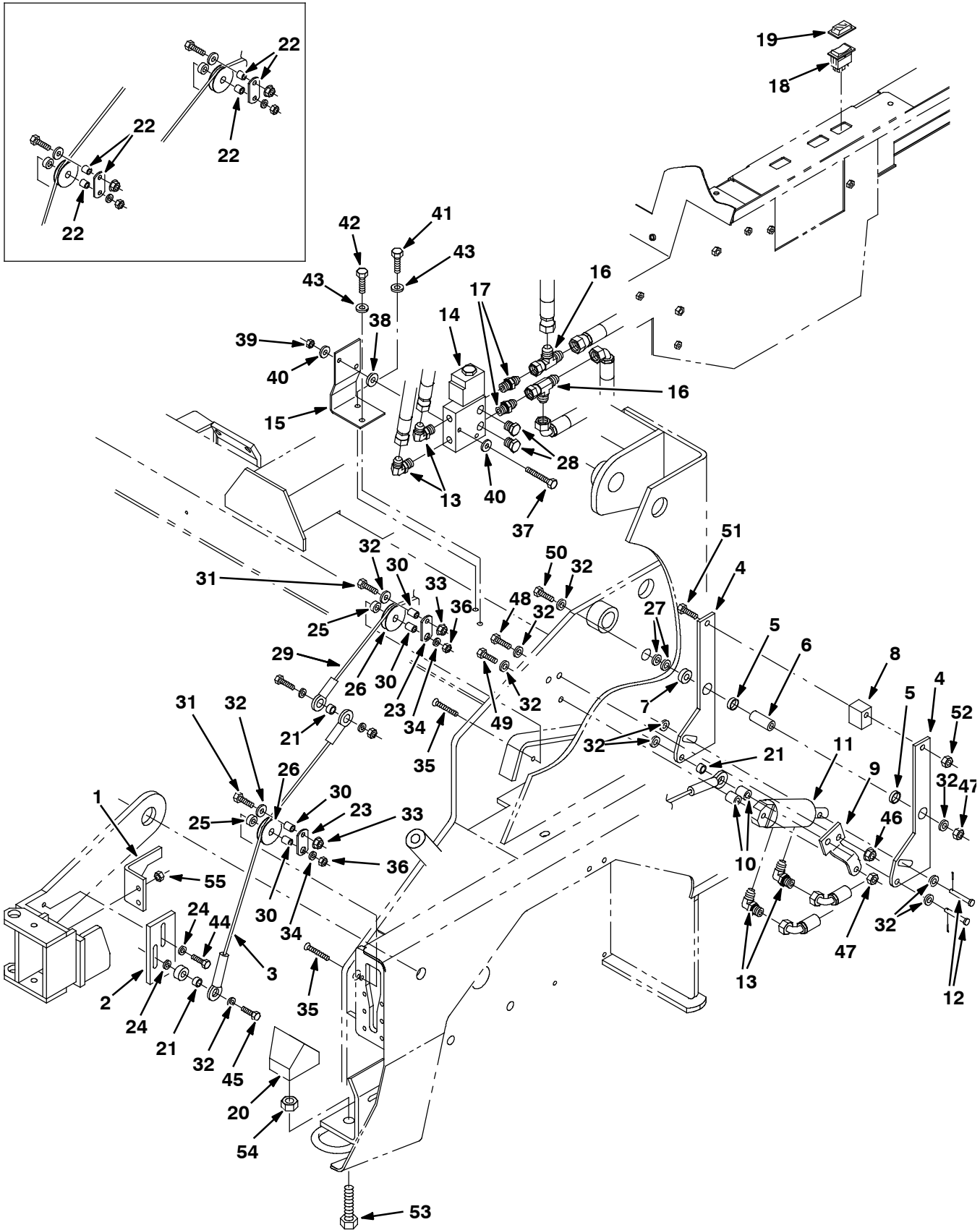


Fig. 12 - Brush Lift Group, Side, L.H.

Ref.	Part No.	Serial Number	Description	Qty.
1	77458	(004000-) Bracket, Angle	1
2	77569	(004000-) Plate Wldt	1
3	70532	(004000-) Cable, Glv .25d 021.2l .63eye /.63eye	1
4	77584	(004000-) Plate	2
5	74090	(004000-) Bearing	2
6	77597	(004000-) Sleeve, 0.406B 0.75D1.80 Stl	1
7	77727	(004000-) Sleeve .438B 1.00D .35Stl	1
8	77459	(004000-) Spacer	1
9	77783	(004000-) Plate, Angle	1
10	77600	(004000-) Sleeve, 0.406B .750D .800Stl	2
11	1041034	(004000-) Cylinder, Hyd, 1.5b 06.3l 01.50strk 2500	1
12	51813	(004000-) Pin,Clevis,0.37 Dia.X 2.12 Lg	2
13	77097	(004000-) Ftg-Hyd E90 Jm04/Om04	4
14	84016	(004000-007338) Valve, Hyd, Solenoid (See Breakdowns)	1
14	1049211	(007339-) Valve, Cntrl, Hyd, Solenoid, 12vdc 06gpm (See Break-downs)	1
15	21231	(004000-) Bracket, Side Brush, Valve	1
16	42215	(004000-) Fitting, Hyd, Tee, Jf06/Jm06/Jm06, Run	2
17	56690	(004000-) Ftg-Hyd Str Jm06/Om06	2
18	65561	(004000-) Switch Rocker Spst	1
19	57807	(004000-) Cover, Rocker Switch Seal	1
20	77738	(004000-) Block	1
21	65174	(004000-) Spacer	3
22	375416	(004000- xxxxxx) Replacement Kit, Roller, Side Brush Lift	1
23	375415	(xxxxxx-) Plate, Side Brush, Roller	2
24	41186	(004000-) Washer-Belleville .31 Pltd	2
25	73737	(004000-) Sleeve, .375B .75D .32 Stl	2
26	74391	(004000-) Pulley - Cable, 1.5 Dia	2
27	32492	(004000-) Flat Washer, 3/8" Hard	2
28	46482	(004000-) Ftg-Hyd Plg Om06	2
29	23936	(004000-) Cable, Glv .25d 016.8l .64eye /.64eye	1
30	80395	(xxxxxx-) Sleeve	4
31	76570	(xxxxxx-) Screw, Hex m08	2
32	32492	(xxxxxx-) Washer, Flat	12
33	07791	(xxxxxx-) Nut, Hex, Flange	2
34	33924	(xxxxxx-) Washer, Flat, M10, Ss	2
35	12317	(xxxxxx-) Screw, Hex, M10 X 1.50 X 30, Ss	2
36	08714	(xxxxxx-) Nut, Hex, Lock, M10 X 1.5, NI, Ss	2
37	06548	(004000-) Screw, Hex, M6 X 1.0 X 60, 8.8	2
38	63416	(004000-) Washer, Rbr, .12 0.31b 0.88d	2
39	08708	(004000-) Nut, Hex, Lock, M6 X 1.0, NI	2
40	19066	(004000-) Washer, Flat, #10	4
41	16931	(004000-) Screw, Hex, M8 X 1.25 X 20, 8.8	1
42	76570	(004000-) Screw, Hex, M8 X 1.25 X 30, 8.8	1
43	32491	(004000-) Washer, Flat, 0.31 Std	2
44	09010	(004000-) Screw, Hex, M8 X 1.25 X 25, Ss	2
45	39283	(004000-) Screw, Hex, M10 X 1.5 X 25, 8.8	2
46	07792	(004000-) Nut, Hex, Flng, M10 X 1.5	2
47	41430	(004000-) Nut, Hex, Lock, M10 X 1.5, NI	2
48	39284	(004000-) Screw, Hex, M10 X 1.5 X 35, 8.8	2

Fig. 12 - Brush Lift Group, Side, L.H.

Ref.	Part No.	Serial Number	Description	Qty.
49	06965	(004000-) Screw, Hex, M10 X 1.5 X 80, 8.8	1
50	03193	(004000-) Screw, Hex, M10 X 1.5 X 90, 8.8	1
51	06957	(004000-) Screw, Hex, M8 X 1.25 X 60, 8.8	1
52	08709	(004000-) Nut, Hex, Lock, M8 X 1.25, NI	1
53	77752	(004000-) Screw, Hex, M16 X 2.0 X 70, 8.8, FI	1
54	33342	(004000-) Nut, Hex, Lock, M16 X 2.0, NI	1
55	39311	(004000-) Nut, Hex, Std, M8 X 1.25	1



Fig. 13 - Brush Group, Side, L.H.

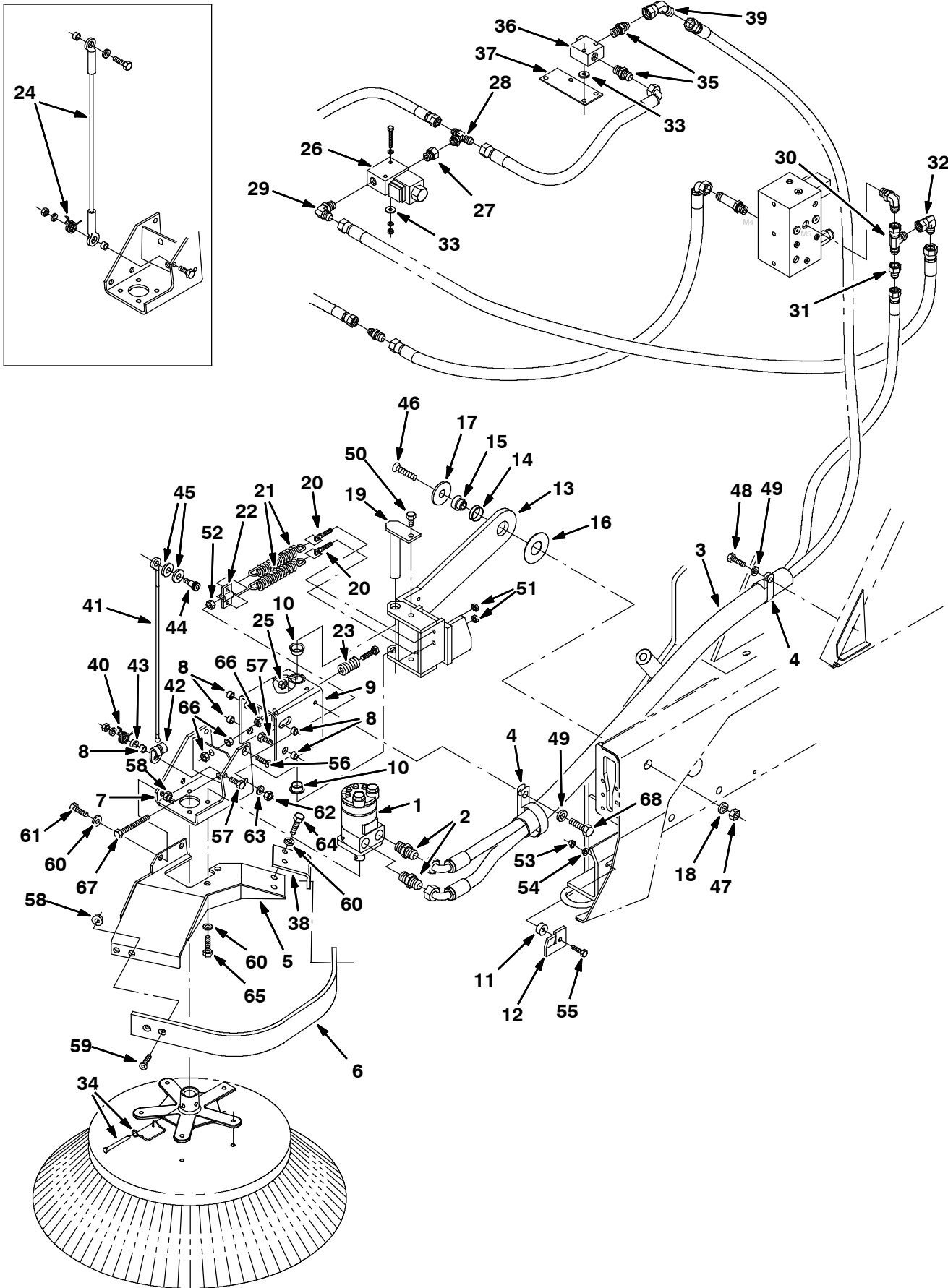


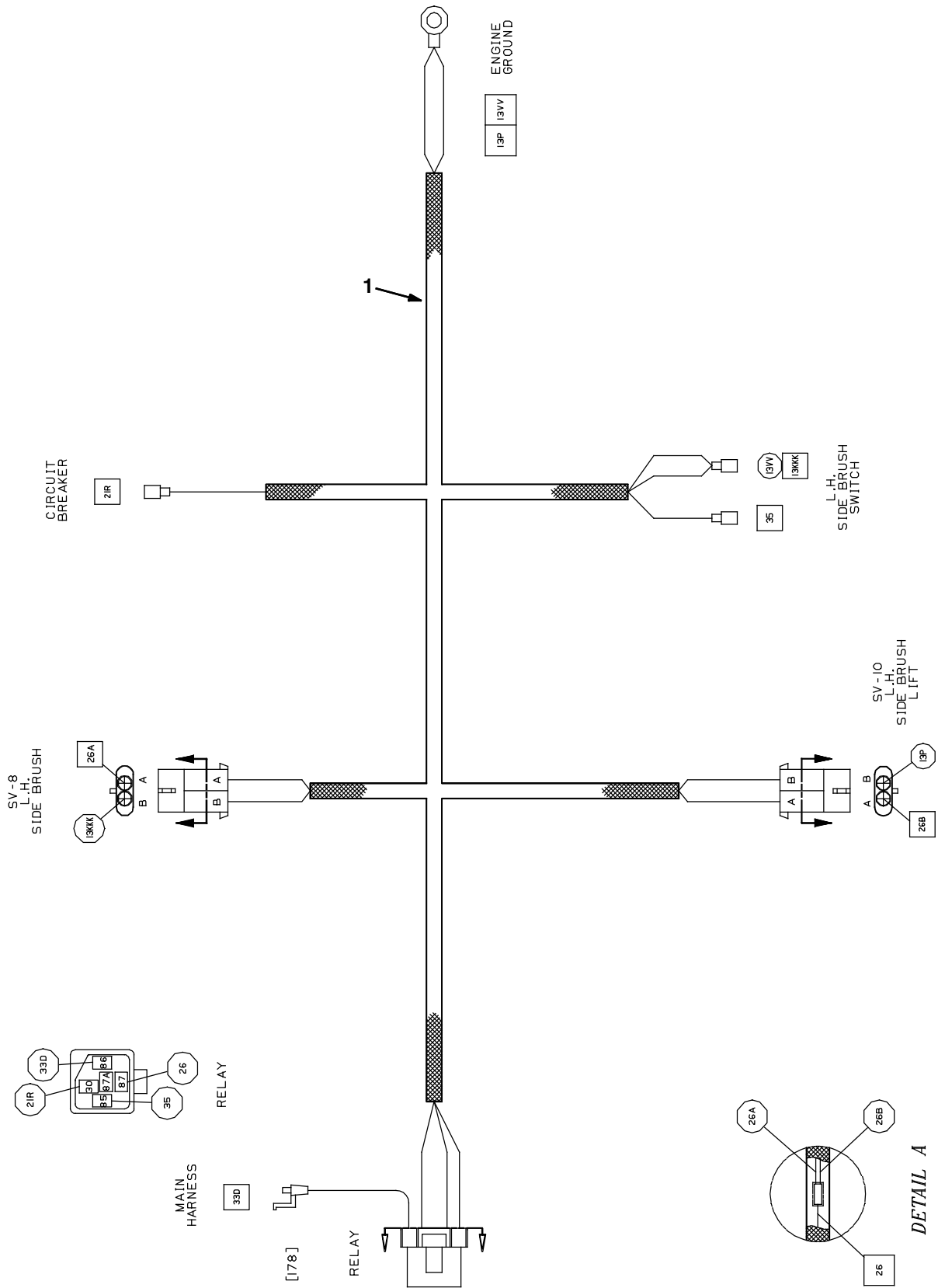
Fig. 13 - Brush Group, Side, L.H.

Ref.	Part No.	Serial Number	Description	Qty.
1	79781	(004000-007797)	Motor, Hyd Gear In 17.9 B 1500 (See Breakdowns) (Replaced by 9009502)	1
1	1057338	(007798-) Motor, Hyd, Gear, Int 17.9 Bi-Dir 2500	1
2	47508	(004000-) Ftg-Hyd StrJm06/Om10	2
3	76461	(004000-) Sleeve, Nylon #27 55.OI	1
4	67366	(004000-) Clamp, Cable, Stl, 1.0x2.0x0.62w, 1hole	2
5	21250	(004000-) Guard Wldt, Sidebrush	1
6	21252	(004000-) Guard, Side Brush	1
7	75142	(004000-) Bracket, Mounting, Motor	1
8	65174	(004000-) Spacer	5
9	75099	(004000-) Bracket Wldt, Pivot	1
10	04761	(004000-) Bearing, Flange .875 Bore	2
11	74059	(004000-) Spacer	1
12	75899	(004000-) Bracket, Angle	1
13	75117	(004000-) Bracket Wldt, Lift	1
14	70627	(004000-) Bearing	1
15	70526	(004000-) Shaft, Pivot	1
16	70524	(004000-) Washer, 1.300B 3.000	1
17	70525	(004000-) Spacer	1
18	36328	(004000-) Washer-Belleville .50 Pltd	1
19	70431	(004000-) Pin	1
20	70626	(004000-) Bolt-Eye M8-1.25	2
21	65160	(004000-) Spring, Extension	2
22	65173	(004000-) Bracket, Spring	1
23	65180	(004000-) Spring, Comp	1
24	375417	(004000- xxxxxx)	Replacement Kit, Side Brush Cable, Lh	1
25	07790	(004000-) Nut, Hex, Flng, M6 X 1.00	1
26	84015	(004000-007338)	Valve-Hyd, Solenoid (See Breakdowns)	1
26	1049210	(007339-) Valve, Cntrl, Hyd, Solenoid, 12vdc 12gpm (See Break- downs)	1
27	47637	(004000-) Ftg-Hyd Str Om08/Of06	1
28	67683	(004000-) Ftg-Hyd Tee Jm06Omjm	1
29	44868	(004000-) Ftg-Hyd E90 Jm08/Om08	1
30	45482	(004000-) Ftg-Hyd Tee Jm08Jmjf	1
31	47753	(004000-) Ftg-Hyd Str Jm06/Jf08	1
32	17980	(004000-) Ftg-Hyd E90 Jm08/Jf08	1
33	63416	(004000-) Washer, .310B .88D .12Rbr	4
34	84581	(004000-) Pin Assy, .312X3.0 W/Lanyard	1
35	56690	(004000-) Ftg-Hyd Str Jm06/Om06	2
36	79621	(004000-) Check Valve, 100 Psi	1
37	79622	(004000-) Plate, Mtg, Check Valve	1
38	21251	(004000-) Plate, Angle	1
39	16472	(004000-) Fitting - 45	1
40	375403	(004000-) Spring, Torsion	1
41	375401	(xxxxxx-) Cable	1
42	1017898	(xxxxxx-) Hook, Cable, .44d Ball	1
43	375404	(xxxxxx-) Spacer	1
44	36758	(xxxxxx-) Bolt, Shld, .50d X 0.50, .38-16	1
45	32486	(xxxxxx-) Washer, Flat	2
46	20192	(004000-) Screw, Flt, .50-13 X 2.00, Al	1
47	32985	(004000-) Nut, Hex, Lock, .50-13, NI	1
48	12459	(004000-) Screw, Hex, M6 X 1.0 X 20, Fmg	1

Fig. 13 - Brush Group, Side, L.H.

Ref.	Part No.	Serial Number	Description	Qty.
49	41185	(004000-) Washer, Belleville, .25	2
50	09291	(004000-) Screw, Hex, M10 X 1.5 X 20, Ss	1
51	39311	(004000-) Nut, Hex, Std, M8 X 1.25	2
52	39312	(004000-) Nut, Hex, Std, M10 X 1.5	1
53	08709	(004000-) Nut, Hex, Lock, M8 X 1.25, NI	1
54	32496	(004000-) Screw, Pan, #10-24 X 0.50, Fmg	1
55	41342	(004000-) Screw, Hex, M8 X 1.25 X 40, 8.8	1
56	06535	(004000-) Screw, Flt, M10 X 1.5 X 35, 10.9	1
57	39284	(004000-) Screw, Hex, M10 X 1.5 X 35, 8.8	3
58	07792	(004000-) Nut, Hex, Flng, M10 X 1.5	8
59	09081	(004000-) Screw, Flt, M10 X 1.5 X 25, 10.9	4
60	32485	(004000-) Washer, Flat, 0.38 Sae	9
61	39283	(004000-) Screw, Hex, M10 X 1.5 X 25, 8.8	2
62	41430	(004000-) Nut, Hex, Lock, M10 X 1.5, NI	4
63	32492	(004000-) Washer, Flat, 0.38 Std	7
64	09770	(004000-) Screw, Hex, M10 X 1.5 X 25, Ss, NI	4
65	34195	(004000-) Screw, Hex, .38-16 X 1.00, NI	4
66	07787	(004000-) Nut, Hex, Std, M10 X 1.5, Ss	3
67	76438	(004000-) Screw, Hex, M10 X 1.5 X 90, 8.8, FI	1
68	06944	(004000-) Screw, Hex, M6 X 1.0 X 25, 8.8	1

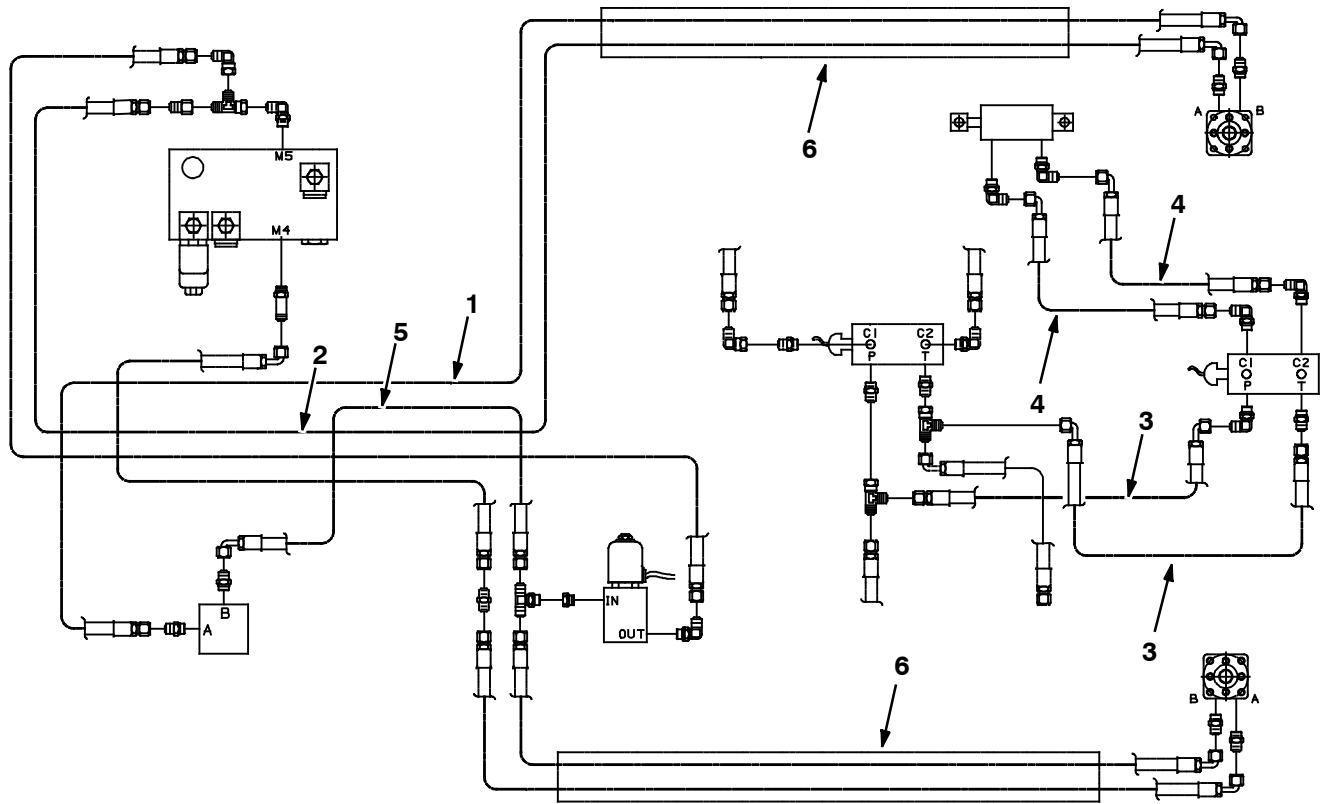
Fig. 14 - Brush Wire Harness Group, Side, L.H.



10501 - ALL

Ref.	Part No.	Serial Number	Description	Qty.
1	83699	(004000-)	Harness, Side Brush, L.H.	1

Fig. 15 - Brush Hydraulic Hose Group, Side, L.H.



08763 - 800

Ref.	Part No.	Serial Number	Description	Qty.
1	76684	(004000-)	Hose-Hyd Med 06	1
2	31597	(004000-)	Hose, Hyd, Med06, Jf06e90/Jf06str, 068.0	1
3	78998	(004000-)	Hose-Hyd Med 06	2
4	57963	(004000-)	Hose-Hyd Med 04	2
5	01999	(004000-)	Hose-Hyd Med 06	1
6	76461	(004000-)	Sleeve, Nyl, #27 55.0l	2

Fig. 16 - Brush Light Kit, Side

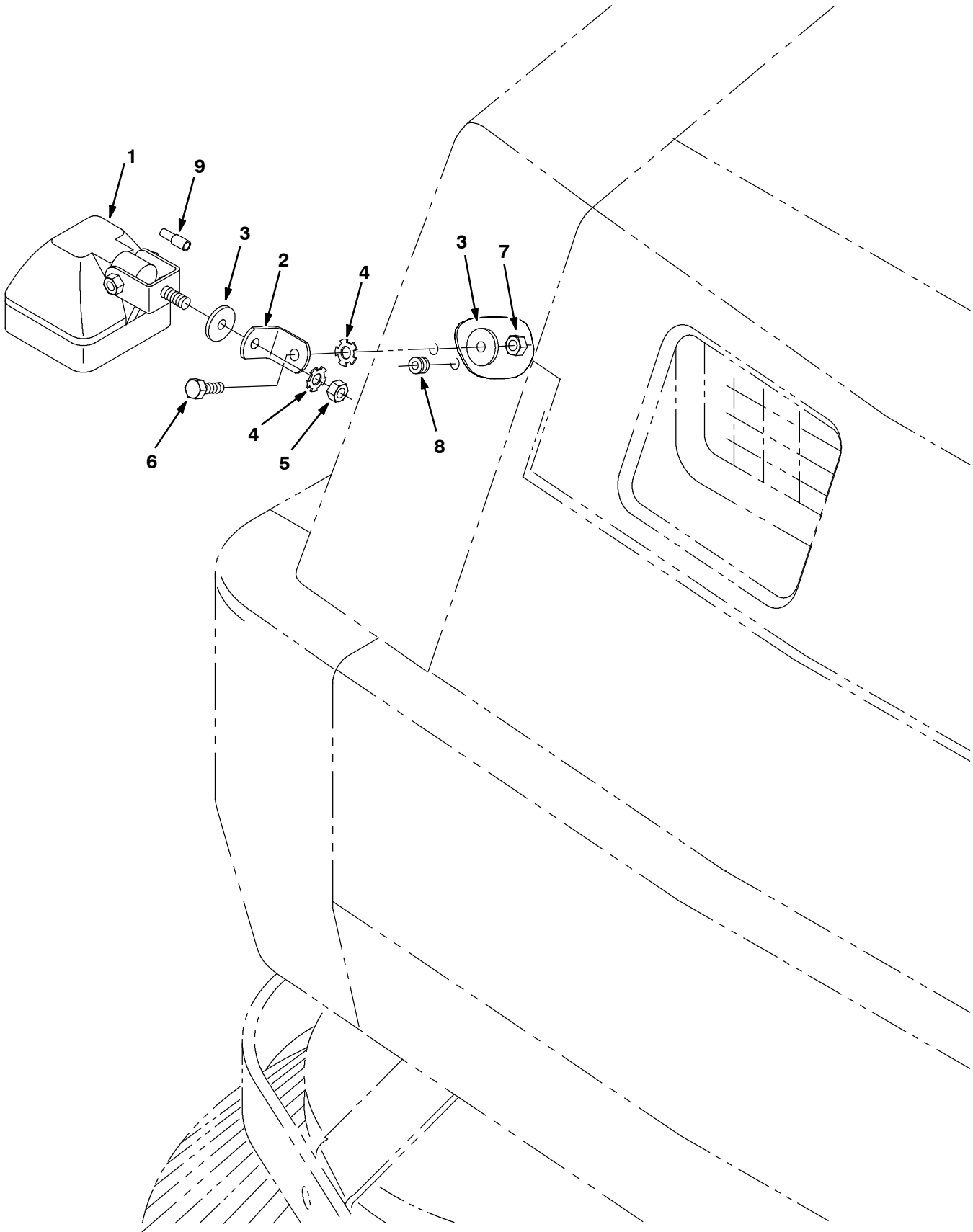


Fig. 16 - Brush Light Kit, Side

	Ref.	Part No.	Serial Number	Description	Qty.
▽		70699	(004000-) Light Kit, Side Brush	1
▲▽	1	382979	(004000-) Light, Spot, 12VDC 55w	1
▲▲		393770	(004000-) Lamp, 12VDC 55w	1
▲	2	76385	(004000-) Bracket, Angle	1
▲	3	30013	(004000-) Washer, Flat, 0.31 Fender	1
▲	4	41141	(004000-) Washer-Loc Int-Ext .31 Pltd	2
▲	5	32960	(004000-) Nut, Hex, Lock, .31-24, NI	1
▲	6	16931	(004000-) Screw, Hex, M08 X 1.25 X 20, 8.8	1
▲	7	08709	(004000-) Nut, Hex, Lock, M08 X 1.25,NI	1
▲	8	10632-5	(004000-) Grommet Rbr 0.25ld For .09Matl	1
▲	9	32668	(004000-) Connector, Ele, Plug, Femal, .156d	1

Fig. 17 - Cab Kit

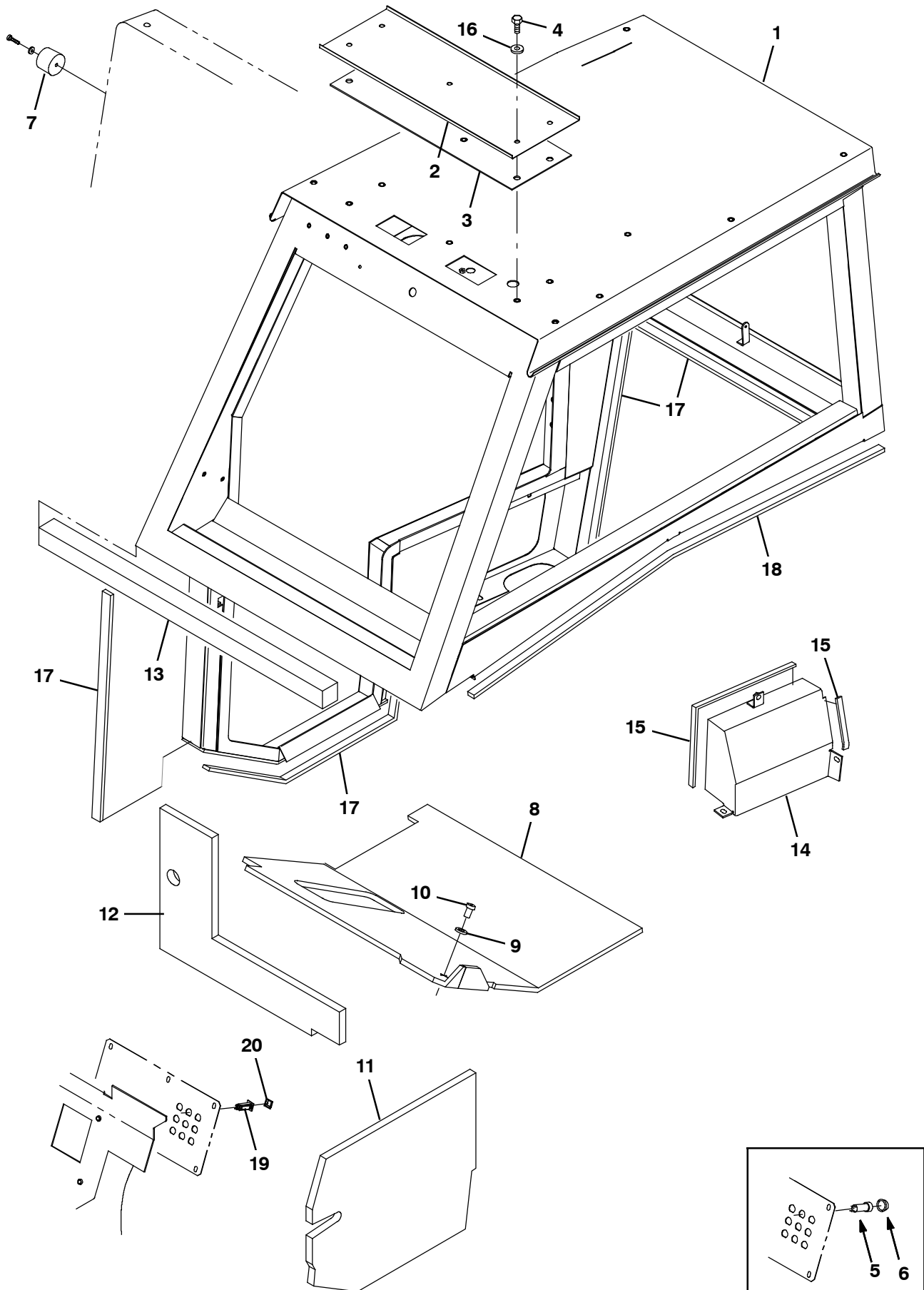


Fig. 17 - Cab Kit

NOTE: The Cab kit, TENNANT Part Number 380601 includes Fig. 17, Fig. 18, and Fig. 19.

Ref.	Part No.	Serial Number	Description	Qty.
1	9007651	(004000-) Cab Assy, Oprtr [800] (See Breakdowns)	1
2	380634	(004000-) Cover, Cab Pressurizer	1
3	380635	(004000-) Gasket, Cab Pressurizer	1
4	06943	(004000-) Screw, Hex, M6 X 1.00 X 20, 8.8	4
5	57803	(004000-007289) Breaker-Circuit, 15 Resetable	1
6	57751	(004000-007289) Boot, Circuit Breaker	1
7	44851	(004000-) Bumper, Rubber	1
8	76522	(004000-) Tread, Rubber	1
9	41178	(004000-) Washer-Flt .25 Fender	1
10	21246	(004000-) Rivet, Plastic	1
11	77652	(004000-) Insulation, Foam	1
12	76516	(004000-) Insulation, Acstc	1
13	1068383	(004000-) Seal, Foam, 2.00 2.00w 37.0l, Adh	1
14	70620	(004000-) Cover Wldt, Fuel Inlet	1
15	1015224	(004000-) Seal, Afmkt, Ure, Adh, 0.38, 0.75w 01ft	2
16	32490	(004000-) Washer, Flat, 0.25, Std	4
17	1015184	(004000-) Seal, Afmkt, Ure, Adh, 0.50, 1.00w 03ft	4
18	1015182	(004000-) Seal, Afmkt, Ure, Adh, 0.50, 1.00w 08ft	1
19	1064188	(007290-) Circuitbreaker, 15A, Resetable	1
20	1064191	(007290-) Boot, Circuitbreaker	1

Fig. 18 - Cab Mirror Kit

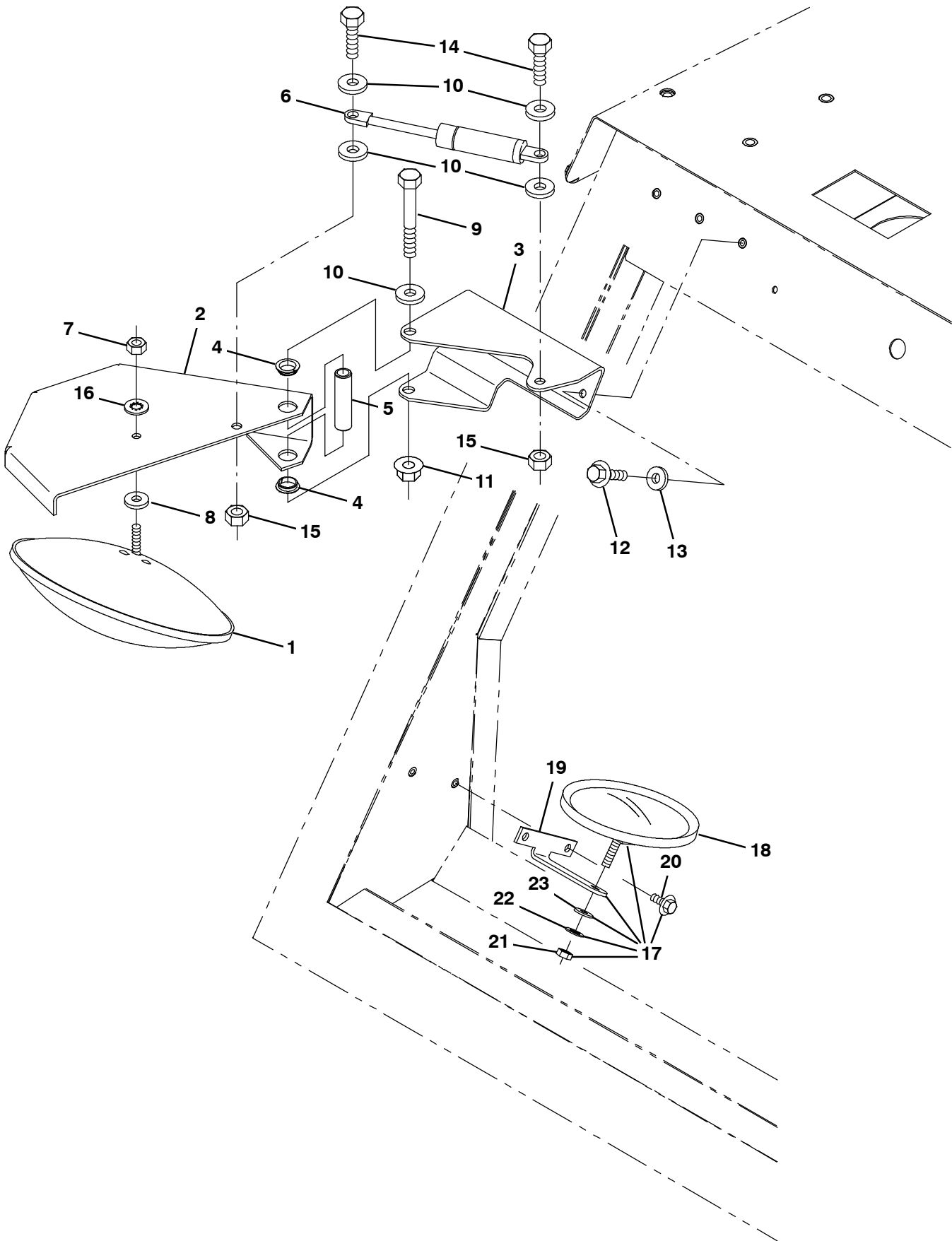


Fig. 18 - Cab Mirror Kit

NOTE: The Cab kit, TENNANT Part Number 380601 includes Fig. 17, Fig. 18, and Fig. 19.

Ref.	Part No.	Serial Number	Description	Qty.
▽	76898	(004000-) Mirror Kit, Side Brush	1
▲	1 68445	(004000-) Mirror,8.0 Round,Convex	1
▲	2 75881	(004000-) Guard, Mirror	1
▲	3 1061949	(004000-) Bracket, Mirror, Mtg	1
▲	4 41434	(004000-) Bshg,Flange,0.62Bx0.68Od,Nylon	2
▲	5 70761	(004000-) Tube, 0.62D .44B 2.44, Stl	1
▲	6 12549	(004000-) Spring, Gas 80 Lb	1
▲	7 01691	(004000-) Nut, Hex, Std, .31-18, Ss	1
▲	8 01685	(004000-) Washer, Flat, 0.38b 0.88d .08, Ss	1
▲	9 03193	(004000-) Screw, Hex, M10 X 1.50 X 90, 8.8	1
▲	10 32492	(004000-) Washer, Flat, 0.38, Std	1
▲	11 07792	(004000-) Nut, Hex, Flng, M10 X 1.50	1
▲	12 76099	(004000-) Screw, Hex, M8 X 1.25 X 25, Fmg	3
▲	13 32491	(004000-) Washer, Flat, 0.31, Std	3
▲	14 21195	(004000-) Screw, Hex, .38-16 X 0.75, G5	2
▲	15 50902	(004000-) Nut, Hex, Lock, .38-16, NI	2
▲	16 43952	(004000-) Washer, Lock, Int, 0.31, Ss	1
▲▽	17 369786	(004000-) Mirror Assembly	1
▲▲	18 1050295	(004000-) Mirror, Convex, 0.50d	1
▲▲	19 49032	(004000-) Bracket, Mtg, Mirror	1
▲▲	20 74455	(004000-) Screw, Hex m06	2
▲▲	21 01691	(004000-) Nut, Hex, Std, .31-18, Ss	1
▲▲	22 43952	(004000-) Washer, Lock, Int, 0.31 Ss	1
▲▲	23 01685	(004000-) Washer, Flat, 0.31 Ss	1

Fig. 19 - Cab Seals Group

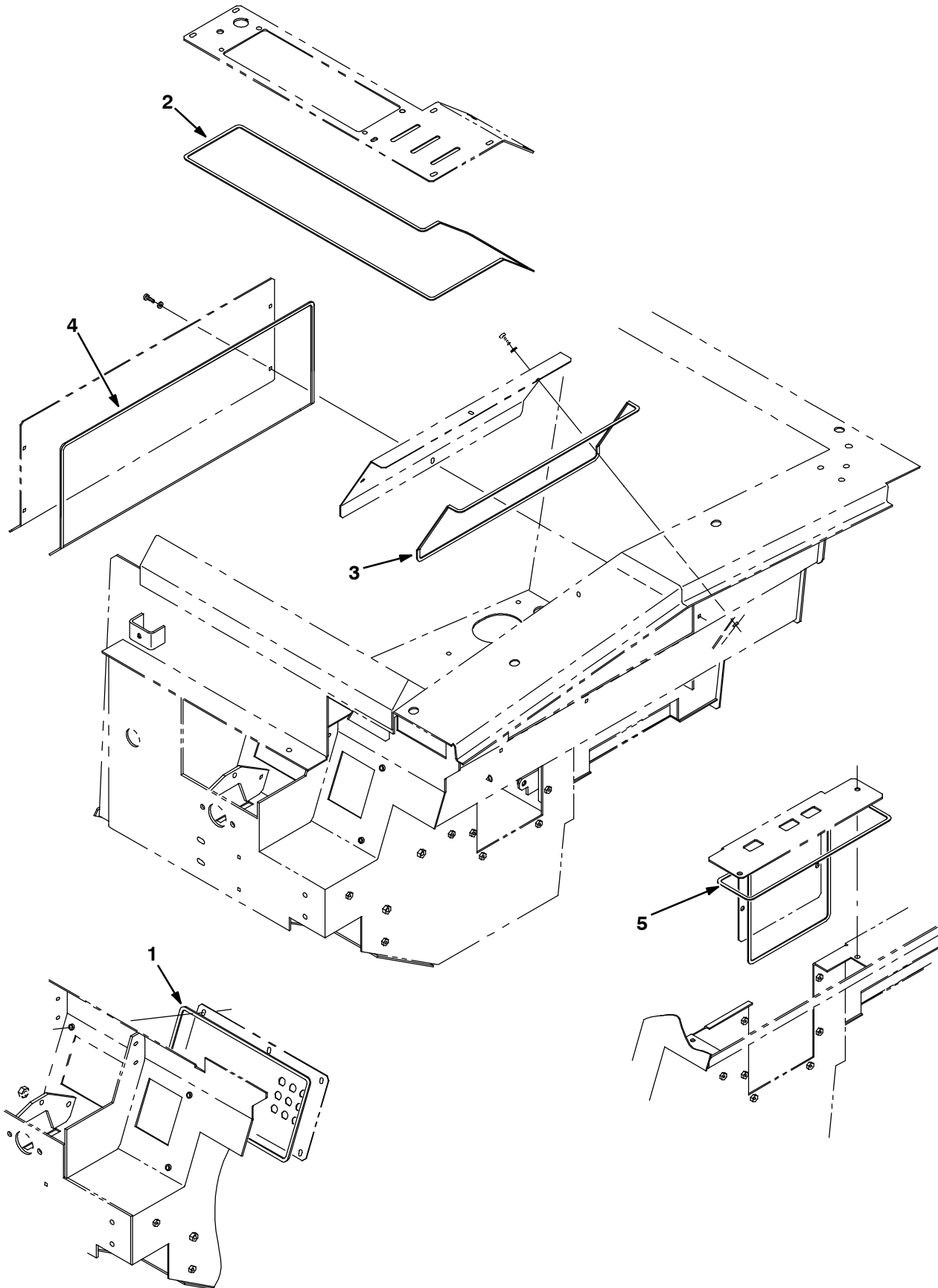


Fig. 19 - Cab Seals Group

NOTE: The Cab kit, TENNANT Part Number 380601 includes Fig. 17, Fig. 18, and Fig. 19.

Ref.	Part No.	Serial Number	Description	Qty.
1	1021969	(004000-) Seal, Foam, .06t .25w 42.0l	1
2	1021968	(004000-) Seal, Foam, .06t .25w 84.0l	1
3	1021937	(004000-) Seal, Foam, .06t .25w 54.0l	1
4	1021966	(004000-) Seal, Foam, .06t .25w 76.0l	1
5	1021951	(004000-) Seal, Foam, .06t .25w 34.0l	1

Fig. 20 - Cab AC and Heater Group

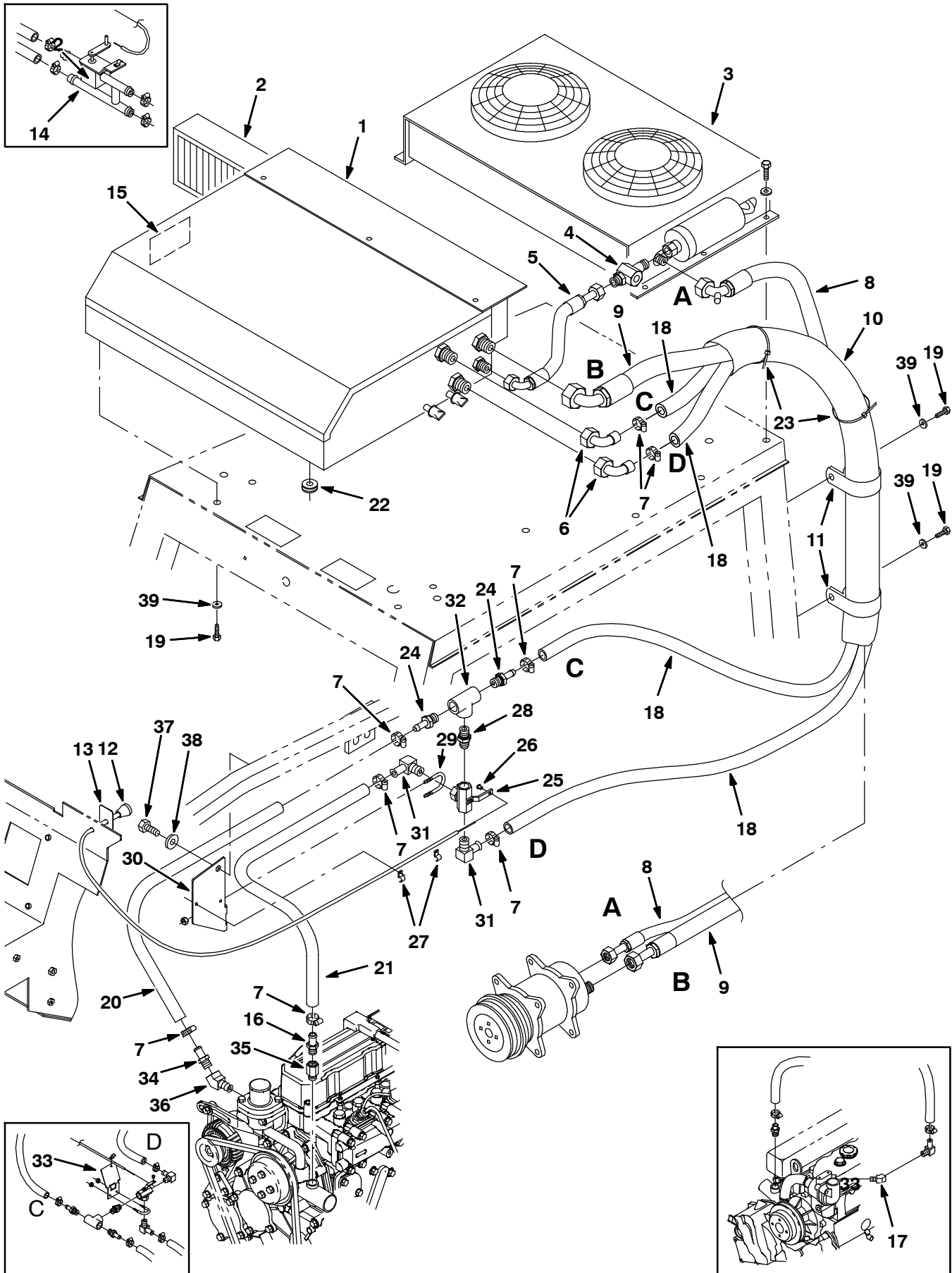


Fig. 20 - Cab AC and Heater Group

NOTE: AC/Heater kit, TENNANT Part Number 380575 includes Fig. 20, Fig. 21, and Fig. 22.

Ref.	Part No.	Serial Number	Description	Qty.	
1	380613	(004000-) Box Assy, Heat/Ac (See Breakdowns)	1	
2	380689	(004000-) Filter, Panel 23.5X6.5X2 143Plts	1	
3	380625	(004000-) Condenser Assy, A/C (See Breakdowns)	1	
4	380630	(004000-) Gage, Sight Ac	1	
5	380684	(004000-) A/C Hose#6 134A 9.0L	1	
6	380615	(004000-) Elbow, Heater	2	
7	86824	(004000-) Clamp, Hose, Wormdrive, 0.50-1.06d, .50w	6	
8	1021799	(004000-) Hose, A/C, 8 112.0l Str E90 R134	1	
9	375751	(004000-004480) Hose, A/C #12 107.0L 089 069	1	
9	1021797	(004481-) Hose, A/C, 12 127.0l Str E90 R134	1	
10	375512	(004000-) Sleeve, Nyl, #33 65.0l	1	
11	41016	(004000-) Clamp, Hose	2	
12	43558A	(004000-) Cable, Choke	1	
13	380663	(004000-) Label, Pull-Heat	1	
14	380618	(004000-004374) Valve, Heater, H, Manual .62H	1	
15	380673	(004000-) Label, Caution R134A	1	
16	27767	(004000-) Fitting, Brass, Str	1	
17	1043095	(004000-006008) Fitting, Hyd, Brs	1	
18	1016561	(004000-) Hose, Afmkt, Rbr, Heater, 0.62id, 08ft	2	
19	12459	(004000-) Screw, Hex, M6 X 1.0 X 20, Fmg	14	
20	72979	(004000-004718) Hose-Heater, .62ld 20.0L	1	
20	1016556	(004719-) Hose, Afmkt, Rbr, Heater, 0.62id, 03ft	1	
21	57532	(004000-004718) Hose-Heater, .62ld 26.0L	1	
21	1016556	(004719-) Hose, Afmkt, Rbr, Heater, 0.62id, 03ft	1	
22	77811	(004000-) Grommet	1	
23	763116	(004000-) Tie, Cable, Nyl, 15.3l . W 4.5 Max D	3	
▽	375728	(004375-) Valve Assy, Heater	1	
▲	24	59901	(004375-) Fitting, Brass, Str	2
▲	25	31507	(004375-) Valve -3Way	1
▲	26	43242	(004375-) Swivel	1
▲	27	1043352	(004375-) Clamp, Cable, Stl, 0.18d X 0.75w, 1hole	2
▲	28	40573	(004375-) Fitting, Hyd. Str	1
▲	29	45142	(004375-) Bolt, U	1
▲	30	374129	(004719-) Bracket, Mtg. Valve	1
▲	31	30268	(004375-) Fitting, Brass	2
▲	32	24450	(004375-) Fitting, Brass, Tee	1
	33	375726	(004375-004718) Bracket, Mtg. Valve	1
	34	27767	(006009-) Fitting, Brs, Str, Em10/Pm06	1
	35	1015762	(006009-) Fitting, Hyd, Str, Metric, Om16/Pf06	2
	36	1043095	(006009-) Fitting, Brs, E45, Pf06/Pm06	1
	37	16930	(004000-) Screw, Hex, M10 X 1.5 X 50, 8.8	1
	38	32492	(004000-) Washer, Flat, 0.38 Std	1
	39	32490	(004000-) Washer, Flat, 0.25 Std	14

Fig. 21 - Cab AC Compressor Group

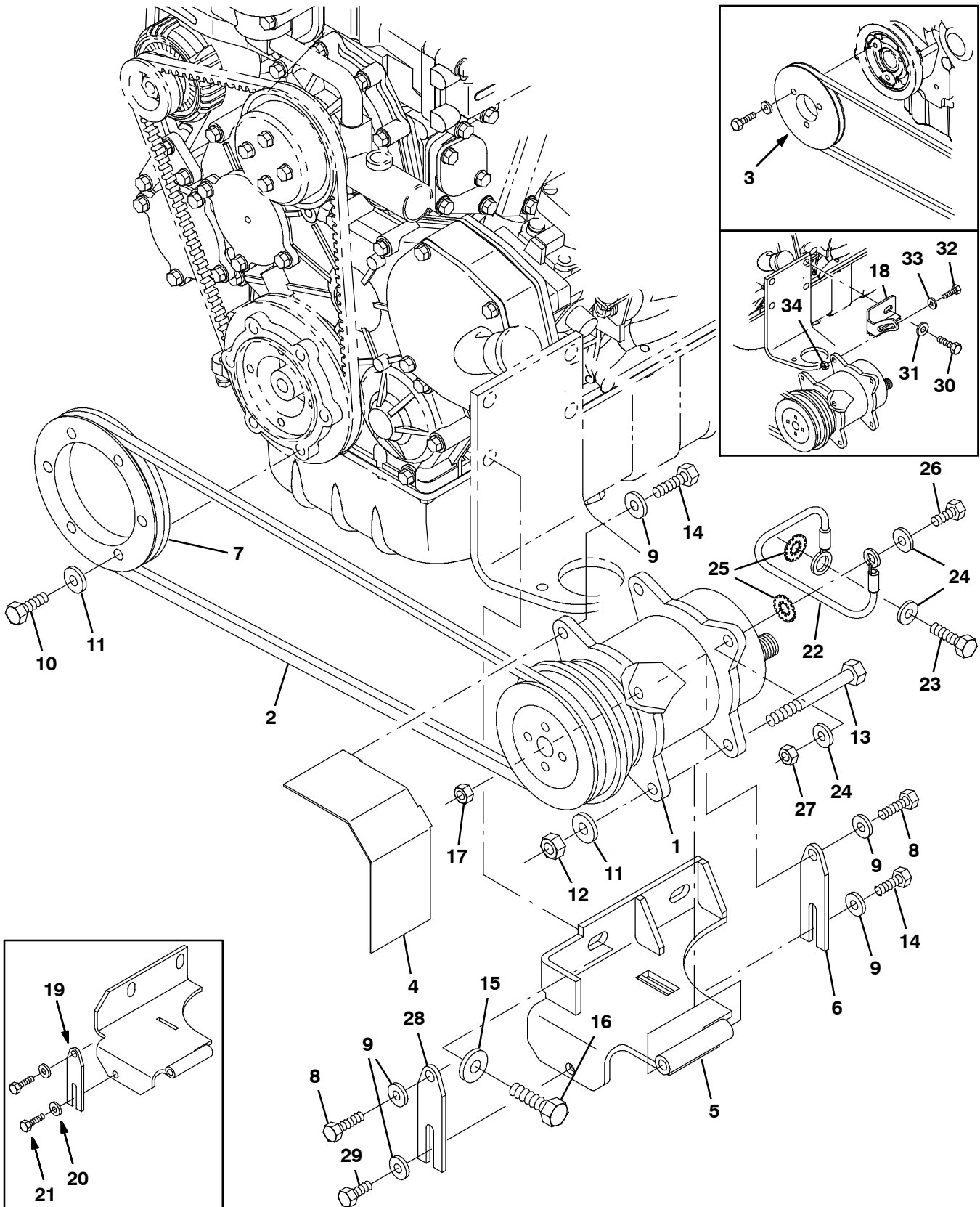


Fig. 21 - Cab AC Compressor Group

NOTE: AC/Heater kit, TENNANT Part Number 380575 includes Fig. 20, Fig. 21, and Fig. 22.

Ref.	Part No.	Serial Number	Description	Qty.
1	393219	(004000-) Compressor, A/C, V Pulley [134][Sa-4536]	1
2	1046712	(004000-) Belt, V, 40.30l [Ax]	1
3	380518	(004000-006008) Sheave, Crank, Aux Drive	1
4	1007343	(004000-) Bracket, Belt Guard, A/C	1
5	1055887	(004000-) Bracket Wldt, Compressor, A/C	1
6	380697	(004000-) Link, Tension 2.4L	1
7	1015653	(006009-) Sheave, Crank, Aux Drive	1
8	76570	(004000-007439) Screw, Hex, M8 X 1.25 X 30, 8.8	2
8	36801	(007440-) Screw, Hex, .38-16 X 1.50, FI	2
9	32491	(004000-007439) Washer, Flat, 0.31 Std	5
9	32485	(007440-) Washer, Flat, 0.38, Sae	5
10	33612	(004000-) Screw, Hex, M10 X 1.25 X 35, 8.8	6
11	32492	(004000-) Washer, Flat, 0.38 Std	7
12	59156	(004000-) Nut, Hex, Lock, .38-16, NI, Ss	1
13	20177	(004000-) Screw, Hex, .38-16 X 4.00, G5	1
14	16931	(004000-) Screw, Hex, M8 X 1.25 X 20, 8.8	3
15	32493	(004000-) Washer, Flat, 0.50 Std	2
16	41348	(004000-) Screw, Hex, M14 X 2.0 X 35, 8.8	2
17	08709	(004000-007439) Nut, Hex, Lock, M8 X 1.25, NI	2
17	50902	(007440-) Nut, Hex, Lock, .38-16, NI	2
18	1060510	(007368-007439) Arm, Adjmt, A/C	1
19	380697	(004000-007367) Link, Tension 2.4L	1
20	32491	(004000-007367) Washer, Flat, 0.31 Std	1
21	16931	(004000-007367) Screw, Hex, M8 X 1.25 X 20, 8.8	1
22	31525	(004000-) Wire, 10ga 16.0l Blk .25ring /.38ring	1
23	16931	(004000-) Screw, Hex, M8 X 1.25 X 20, 8.8	1
24	32490	(004000-) Washer, Flat, 0.25, Std	3
25	41141	(004000-) Washer, Lock, Int-Ext, 0.31	2
26	06944	(004000-) Screw, Hex, M6 X 1.00 X 25, 8.8	1
27	08708	(004000-) Nut, Hex, Lock, M6 X 1.00, NI	1
28	380697	(007440-) Arm, Adj, Compressor, A/C, .18 1.3w 3.4l	1
29	16931	(007440-) Screw, Hex, M8 X 1.25 X 20, 8.8	1
30	41348	(004000-007439) Screw, Hex, M14 X 2.00 X 35, 8.8	1
31	32493	(004000-007439) Washer, Flat, 0.50, Std	1
32	76570	(004000-007439) Screw, Hex, M8 X 1.25 X 30, 8.8	1
33	32491	(004000-007439) Washer, Flat, 0.31, Std	1
34	08709	(004000-007439) Nut, Hex, Lock, M8 X 1.25, NI	1

Fig. 22 - Cab AC and Heater Electrical Group

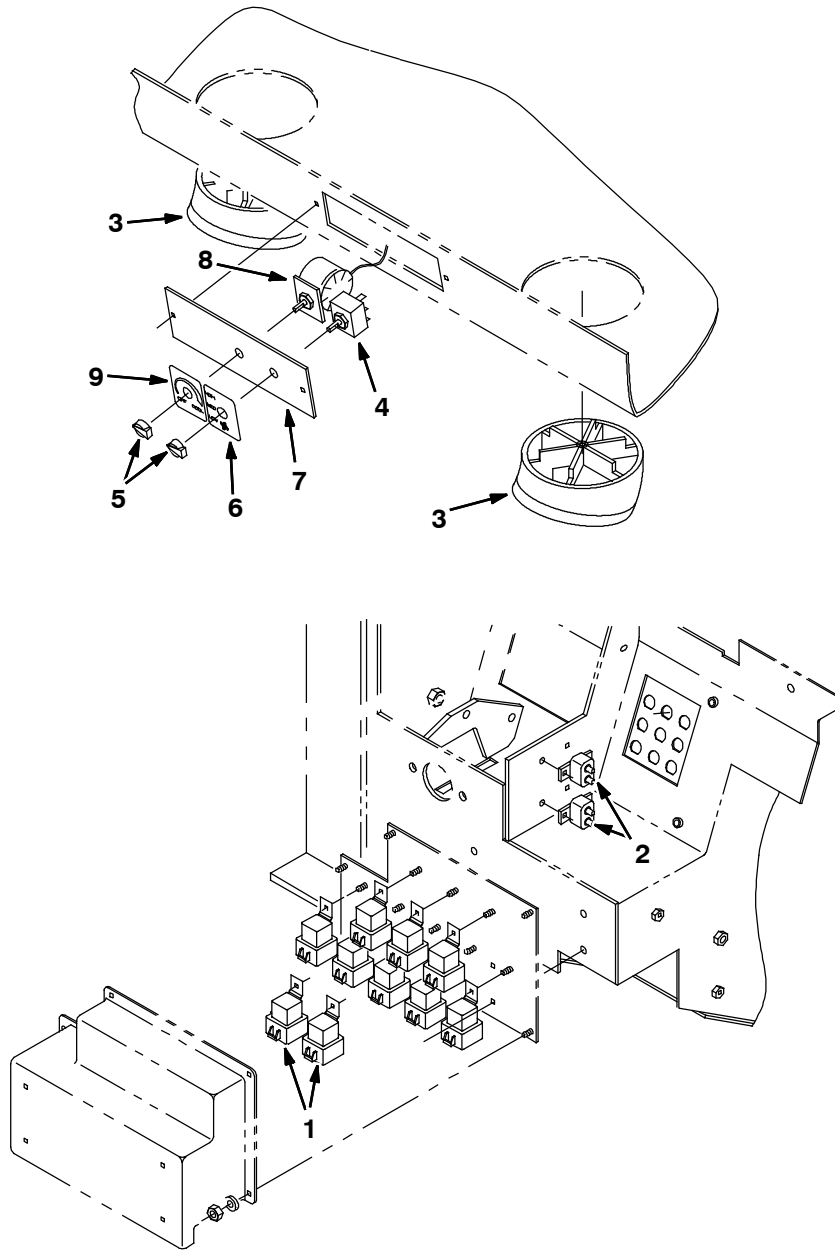


Fig. 22 - Cab AC and Heater Electrical Group

NOTE: AC/Heater kit, TENNANT Part Number 380575 includes Fig. 20, Fig. 21, and Fig. 22.

Ref.	Part No.	Serial Number	Description	Qty.
1	56186	(004000-) Relay, Shrouded, 12 Vdc	2
2	374210	(004000-) Circuitbreaker, 20.0a, Thermal	2
3	380617	(004000-) Duct, Heater A/C	2
4	380619	(004000-) Switch,3Way Blow	1
5	380661	(004000-) Knob	2
6	380662	(004000-) Label, Hi/Med/Lo	1
7	380690	(004000-) Plate, Switch Mntg	1
8	380624	(004000-) Switch, Temp Ac	1
9	380665	(004000-) Label, Thermostat	1

Fig. 23 - Cab Heater Group

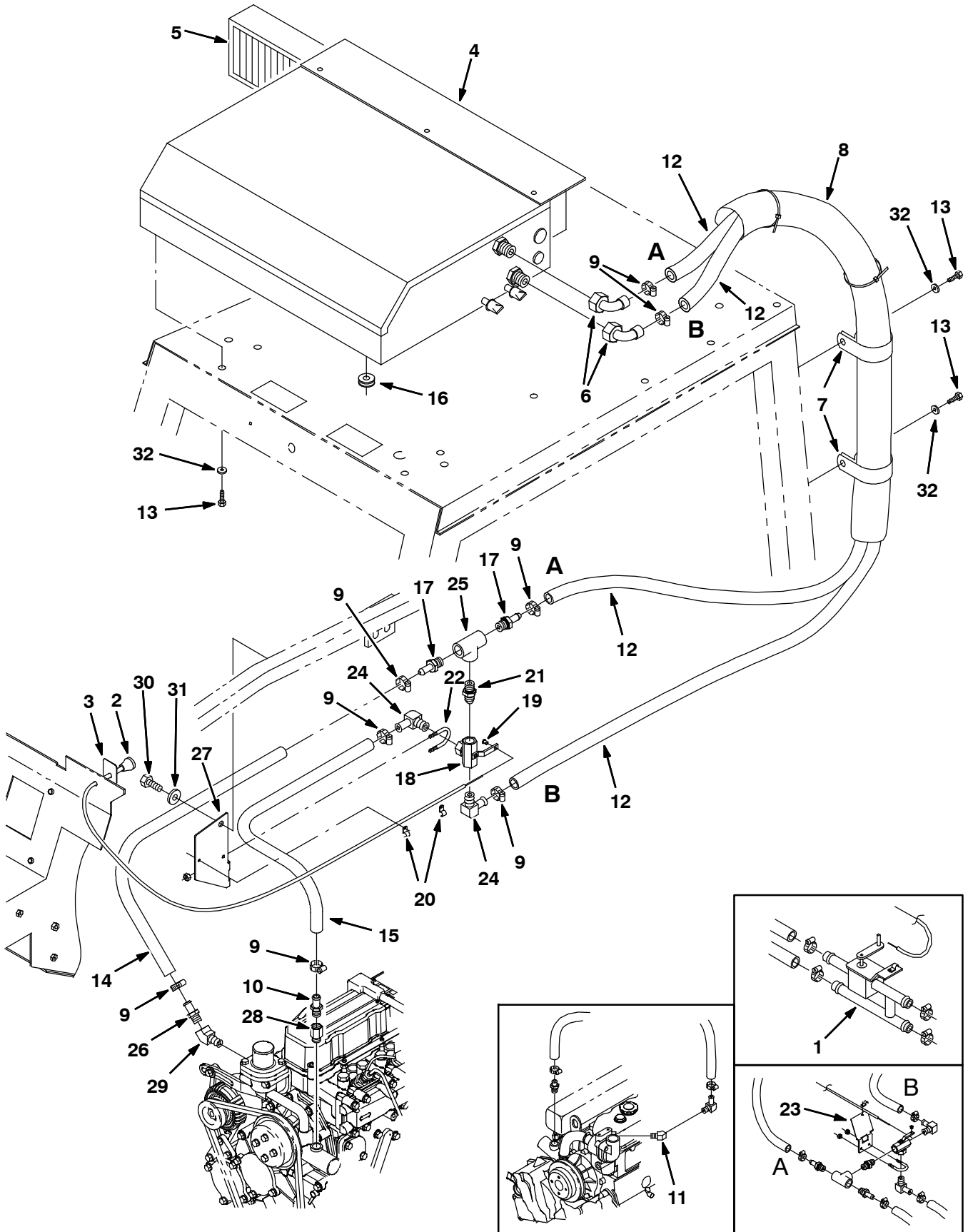


Fig. 23 - Cab Heater Group

NOTE: Heater kit, TENNANT Part Number 380611 includes Fig. 23, and Fig. 24.

Ref.	Part No.	Serial Number	Description	Qty.
1	380618	(004000-004374)	Valve, Heater, H, Manual .62H	1
2	69266	(004000-	Cable, Choke	1
3	380663	(004000-	Label, Pull-Heat	1
4	380614	(004000-	Box Assy, Heat (See Breakdowns)	1
5	380689	(004000-	Filter, Panel 23.5X6.5X2 143Plts	1
6	380615	(004000-	Elbow, Heater	2
7	86328	(004000-	Clamp, Cable	2
8	375512	(004000-	Sleeve	1
9	86824	(004000-	Clamp, Hose, Wormdrive, 0.50-1.06d, .50w	6
10	27767	(004000-	Fitting, Brass, Str	1
11	1043095	(004000-006008)	Fitting, Brs, E45, Pf06/Pm06	1
12	1016561	(004000-	Hose, Afrmkt, Rbr, Heater, 0.62id, 08ft	2
13	12459	(004000-	Screw, Hex, M6 X 1.0 X 20, Fmg	8
14	72979	(004000-004718)	Hose-Heater, .62id 20.0L	1
14	1016556	(004719-	Hose, Afrmkt, Rbr, Heater, 0.62id, 03ft	1
15	57532	(004000-004718)	Hose-Heater, .62id 26.0L	1
15	1016556	(004719-	Hose, Afrmkt, Rbr, Heater, 0.62id, 03ft	1
16	77811	(004000-	Grommet	1
▽	375728	(004375-	Valve Assy, Heater	1
▲	17 59901	(004375-	Fitting, Brass, Str	2
▲	18 31507	(004375-	Valve -3Way	1
▲	19 43242	(004375-	Swivel	1
▲	20 1043352	(004375-	Clamp, Cable, Stl, 0.18d X 0.75w, 1hole	2
▲	21 40573	(004375-	Fitting, Hyd. Str	1
▲	22 45142	(004375-	Bolt, U	1
▲	23 375726	(004375-004718)	Bracket, Mtg. Valve	1
▲	24 30268	(004375-	Fitting, Brass	2
▲	25 24450	(004375-	Fitting, Brass, Tee	1
▲	26 27767	(006009-	Fitting, Brs, Str, Em10/Pm06	1
▲	27 374129	(004719-	Bracket, Mtg. Valve	1
28	1015762	(006009-	Fitting, Hyd, Str, Metric, Om16/Pf06	1
29	1043095	(006009-	Fitting, Brs, E45, Pf06/Pm06	1
30	16930	(004000-	Screw, Hex, M10 X 1.5 X 50, 8.8	1
31	32492	(004000-	Washer, Flat, 0.38 Std	1
32	32490	(004000-	Washer, Flat, 0.25 Std	8

Fig. 24 - Cab Heater Electrical Group

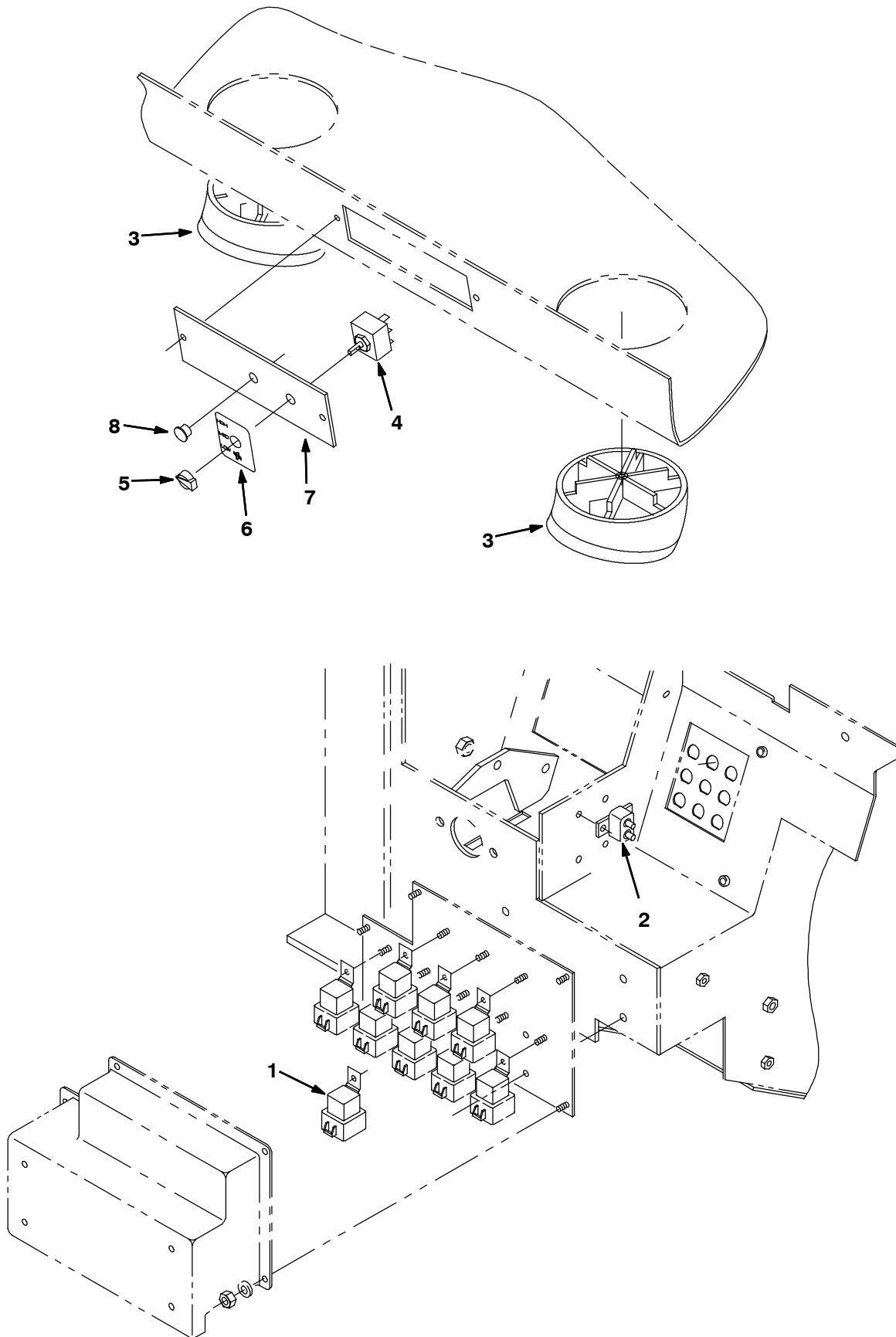


Fig. 24 - Cab Heater Electrical Group

NOTE: Heater kit, TENNANT Part Number 380611 includes Fig. 23, and Fig. 24.

Ref.	Part No.	Serial Number	Description	Qty.
1	56186	(004000-) Relay, Shrouded, 12 Vdc	1
2	374210	(004000-) Circuitbreaker, 20.0a, Thermal	1
3	380617	(004000-) Duct, Heater A/C	2
4	380619	(004000-) Switch,3Way Blow	1
5	380661	(004000-) Knob	1
6	380662	(004000-) Label, Hi/Med/Lo	1
7	380690	(004000-) Plate, Switch Mntg	1
8	56992	(004000-) Plugbtn .50H .03-.12 Blacknyl	1

Fig. 25 - Alternator Group, SE (004000-006008)

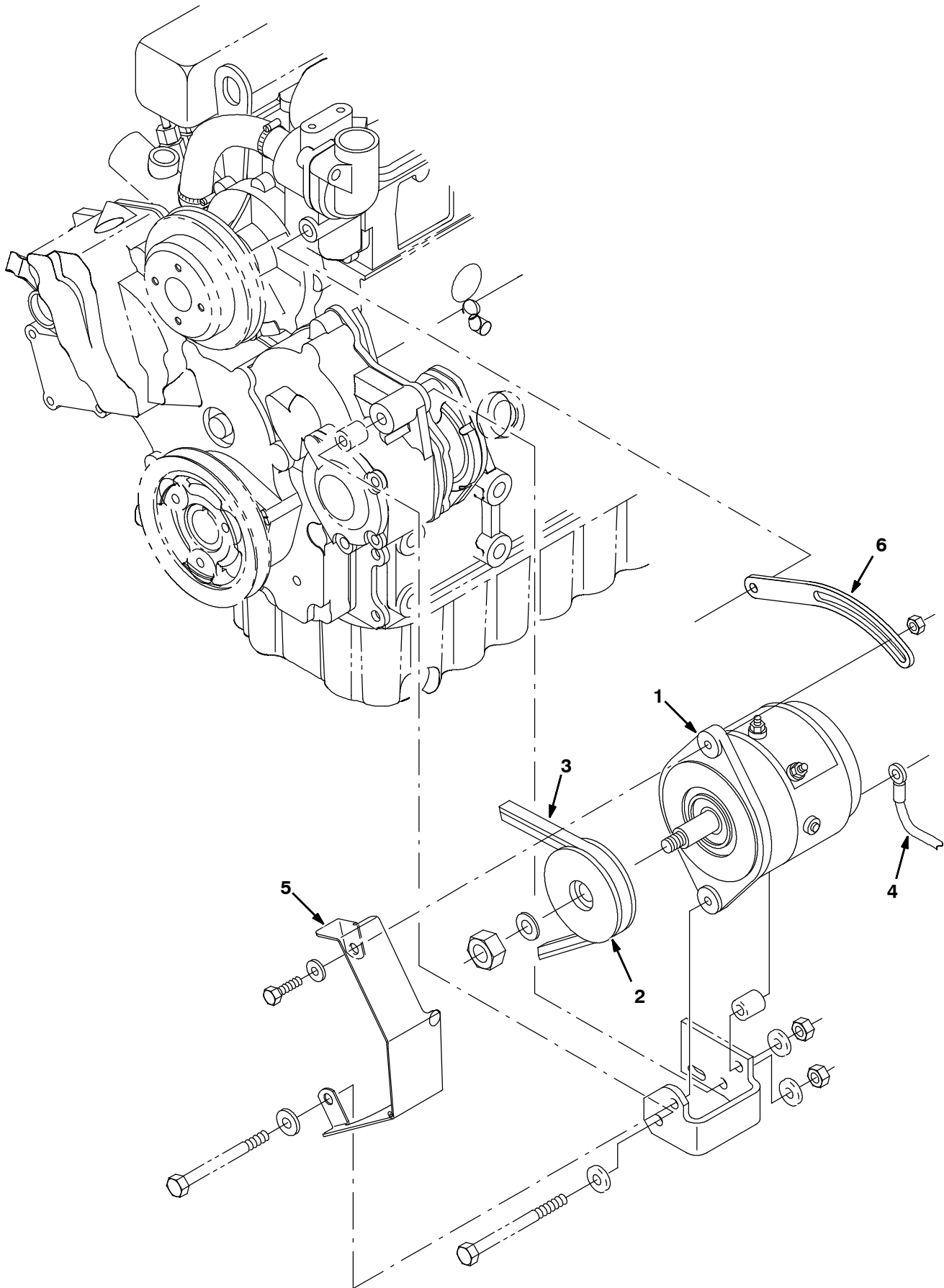


Fig. 25 - Alternator Group, SE (004000-006008)

	Ref.	Part No.	Serial Number	Description	Qty.
▽		380606	(004000-006008)	Kit, Alternator, Hd, Die	1
▲	1	75828	(004000-006008)	Alternator	1
▲	2	77555	(004000-006008)	Sheave, Alternator, Se	1
▲	3	83692	(004000-006008)	Belt, V	1
▲	4	31525	(004000-006008)	Wire, Ground	1
▲	5	21223	(004000-006008)	Guard, Alternator	1
▲	6	380636	(004000-006008)	Arm, Alternator	1

Fig. 26 - Vacuum Wand Kit

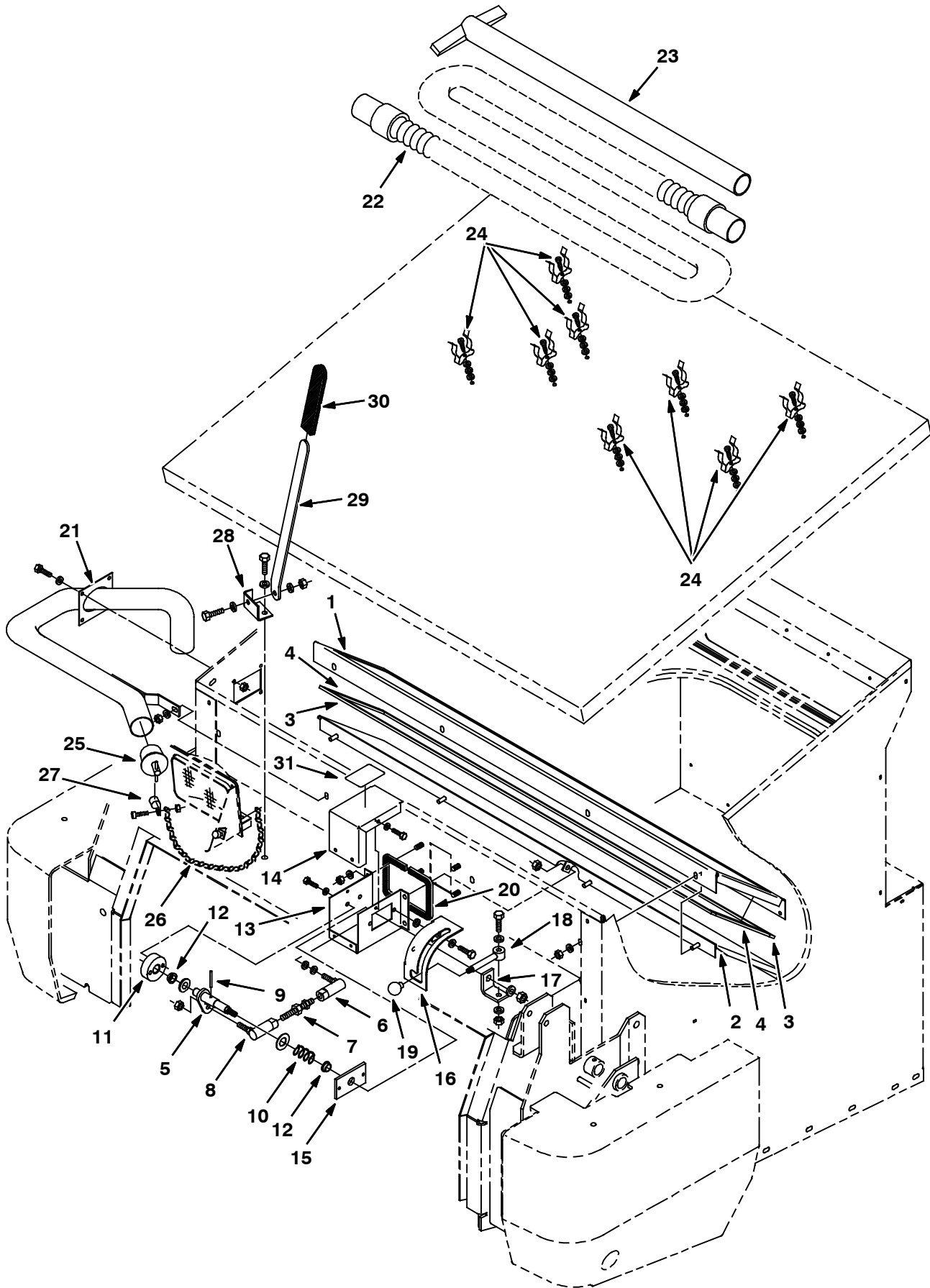


Fig. 26 - Vacuum Wand Kit

Ref.	Part No.	Serial Number	Description	Qty.
▽	70668	(004000-) Wand Kit, Vac	1
▲	1 73871	(004000-) Plate, Mounting, Vac Door	1
▲	2 75701	(004000-) Plate Wldt, Vac Door	1
▲	3 75876	(004000-) Seal, Foam Rbr, .19 .75W 47.1L	2
▲	4 75877	(004000-) Seal, Foam Rbr .19 .75W 8.43L	2
▲	5 21047	(004000-) Shaft	1
▲	6 82962	(004000-) Balljoint .375-24 Lh	1
▲	7 11676	(004000-) Stud, Adjustment	1
▲	8 51531	(004000-) Ball Joint .375-24	1
▲	9 23146	(004000-) Pin, Roll, .18Odx1.62L,.187/.192	1
▲	10 19035	(004000-) Sprng, Comp, 0.83ldx.07Wire 1.0L	1
▲	11 21041	(004000-) Disk	1
▲	12 04843	(004000-) Bearing, Flange .625 Bore	2
▲	13 21054	(004000-) Box, Mounting, Lever, Vac	1
▲	14 21104	(004000-) Panel, Cover	1
▲	15 73880	(004000-) Plate	1
▲	16 79646	(004000-) Plate, Latch	1
▲	17 79647	(004000-) Angle	1
▲	18 79644	(004000-) Handle	1
▲	19 26565	(004000-) Knob, 0.38-16, 1.25Dia, Plastic	1
▲	20 79674	(004000-) Seal	1
▲	21 74074	(004000-) Adaptor Wldt, Vac Wand	1
▲	22 54009	(004000-) Hose&2Cuff Assy, Vinyl2.0ld10Ft	1
▲	23 54012	(004000-) Wand	1
▲	24 36158	(004000-) Clip Finger Grip	8
▲	25 42124	(004000-) Plug, Drain	1
▲	26 374012	(004000-) Chain, Jack, #12, 08.5l 11 Links	1
▲	27 26395-2	(004000-) Clamp-Cable, 0.38Dia 0.38Wth	1
▲	28 76286	(004000-) Adaptor Wldt, Vac Wand	1
▲	29 76338	(004000-) Bar, Prop	1
▲	30 70659	(004000-) Grip, Handle, Flat	2
▲	31 76406	(004000-) Label, Vac Wand	1

Fig. 27 - Side Brush Dust Control Kit

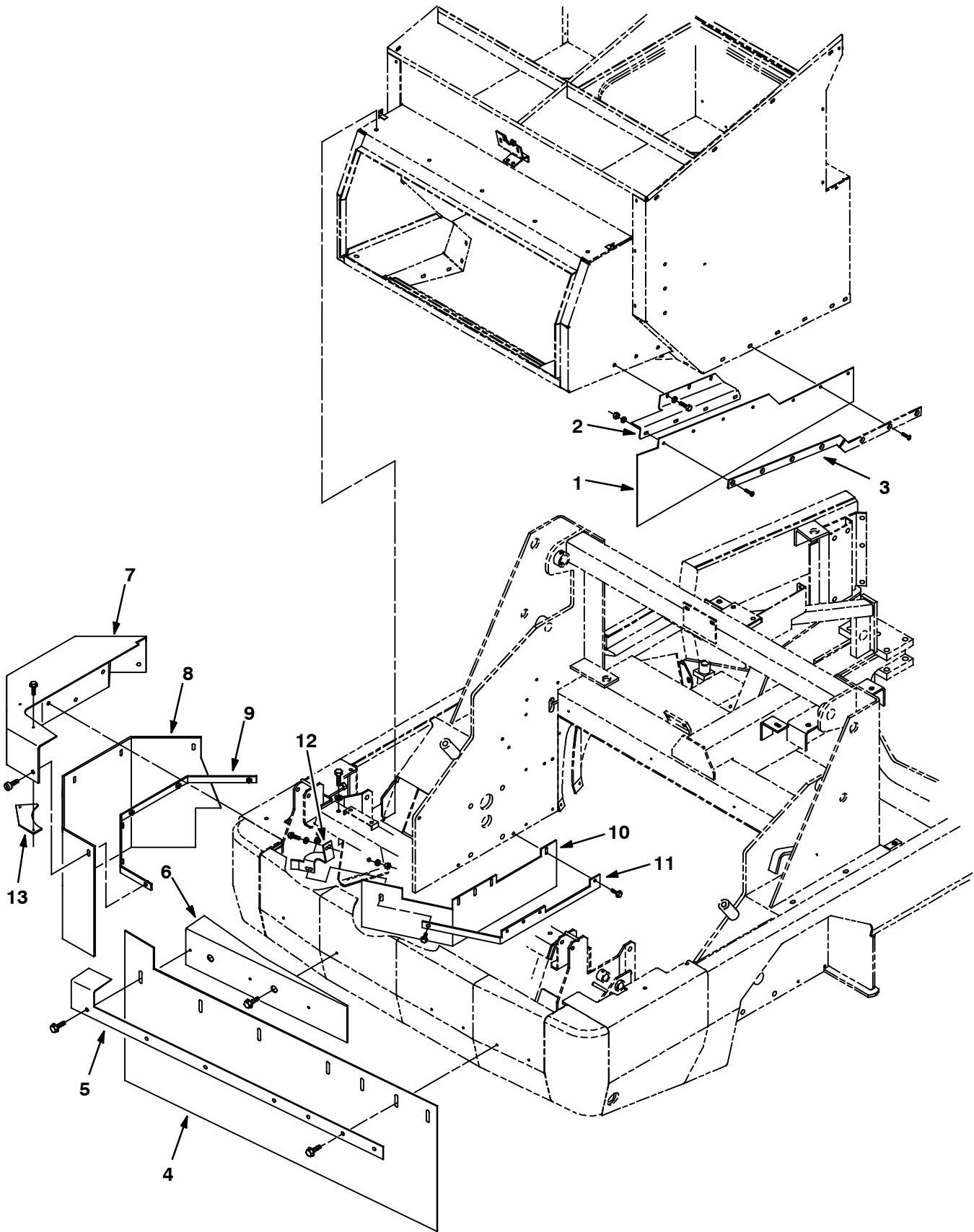
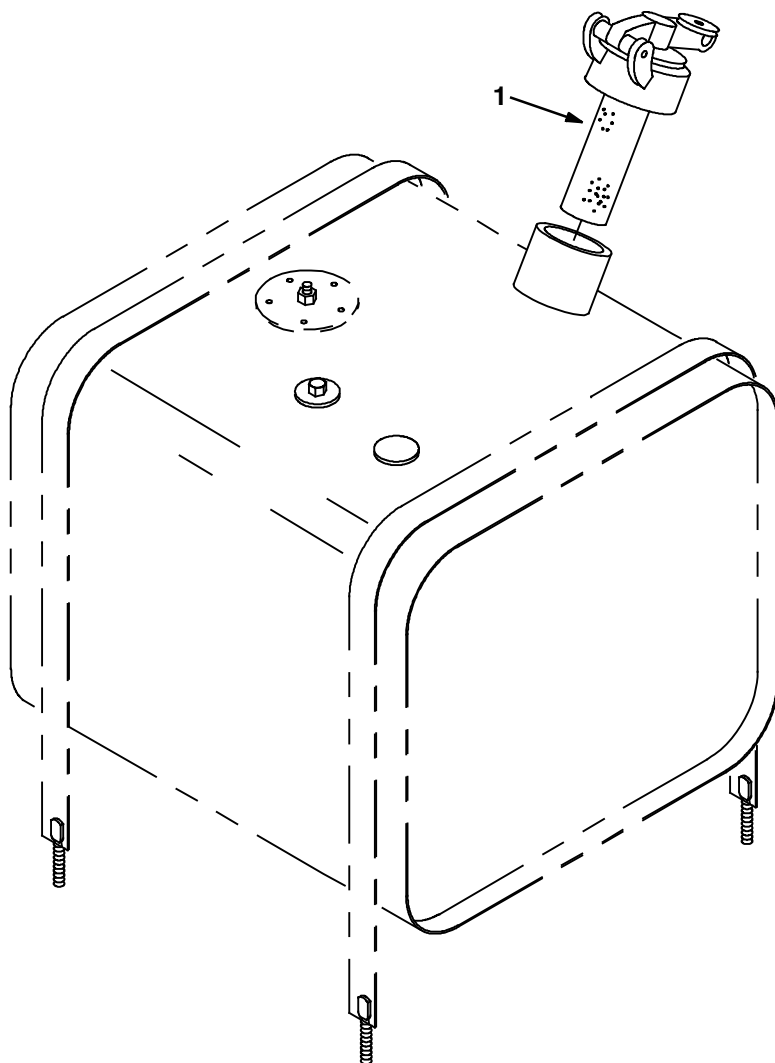


Fig. 27 - Side Brush Dust Control Kit

	Ref.	Part No.	Serial Number	Description	Qty.
▽		76100	(004000-) Dust Control Kit, Side Brush	1
▲	1	76036	(004000-) Skirt, Deflection	1
▲	2	76030	(004000-) Bracket, Mounting, Skirt	1
▲	3	76038	(004000-) Strip, Retainer, Skirt	1
▲	4	75901	(004000-) Skirt, Cover, Sbdc	1
▲	5	76049	(004000-) Skirt, Retainer	1
▲	6	77759	(004000-) Bracket Wldt	1
▲	7	75989	(004000-) Plate Wldt, Skirt	1
▲	8	76069	(004000-) Skirt, Cover, Sbdc	1
▲	9	76055	(004000-) Plate, Retainer	1
▲	10	76074	(004000-) Skirt	1
▲	11	76081	(004000-) Skirt	1
▲	12	76084	(004000-) Bracket	1
▲	13	77755	(004000-) Plate	1

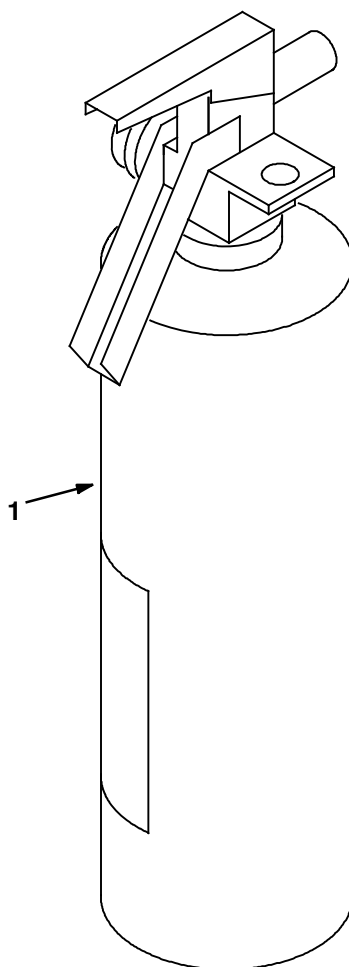
Fig. 28 - Protectoseal Fuel Tank Cap Group



07471 - ALL

Ref.	Part No.	Serial Number	Description	Qty.
1	02506-6	(004000-)	Gas Cap, Protectoseal	1

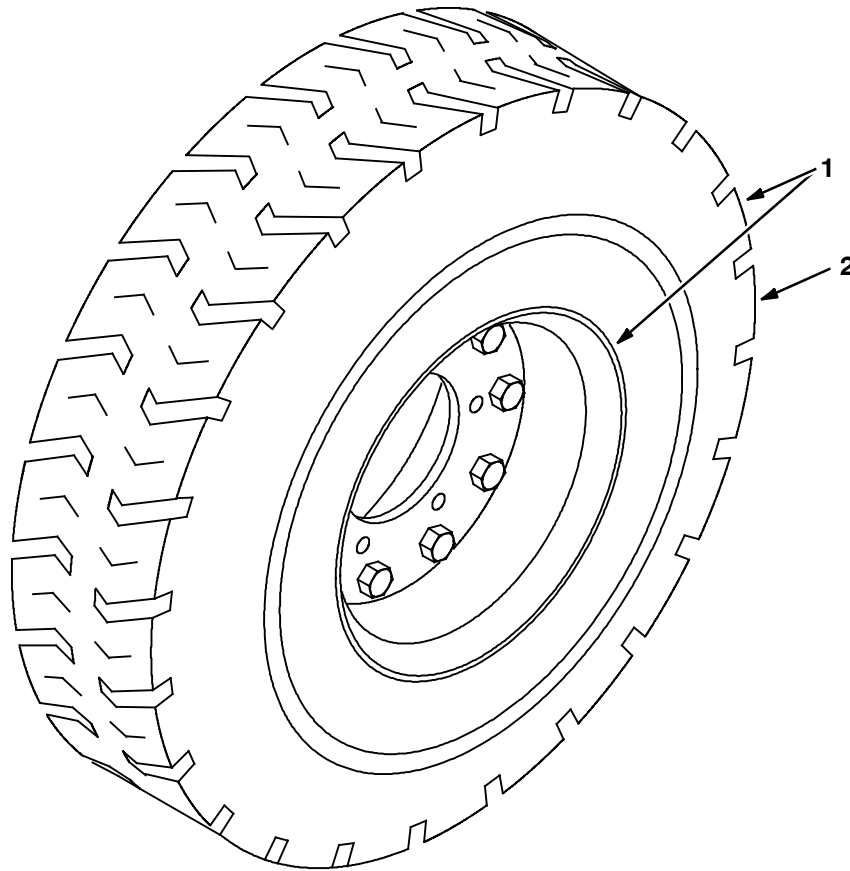
Fig. 29 - Fire Extinguisher Kit



07516 - JP, NA

	Ref.	Part No.	Serial Number	Description	Qty.
▽		70692	(004000-) Extinguisher Kit Fire 800	1
▲	1	25312	(004000-) Extinguisher, Fire	

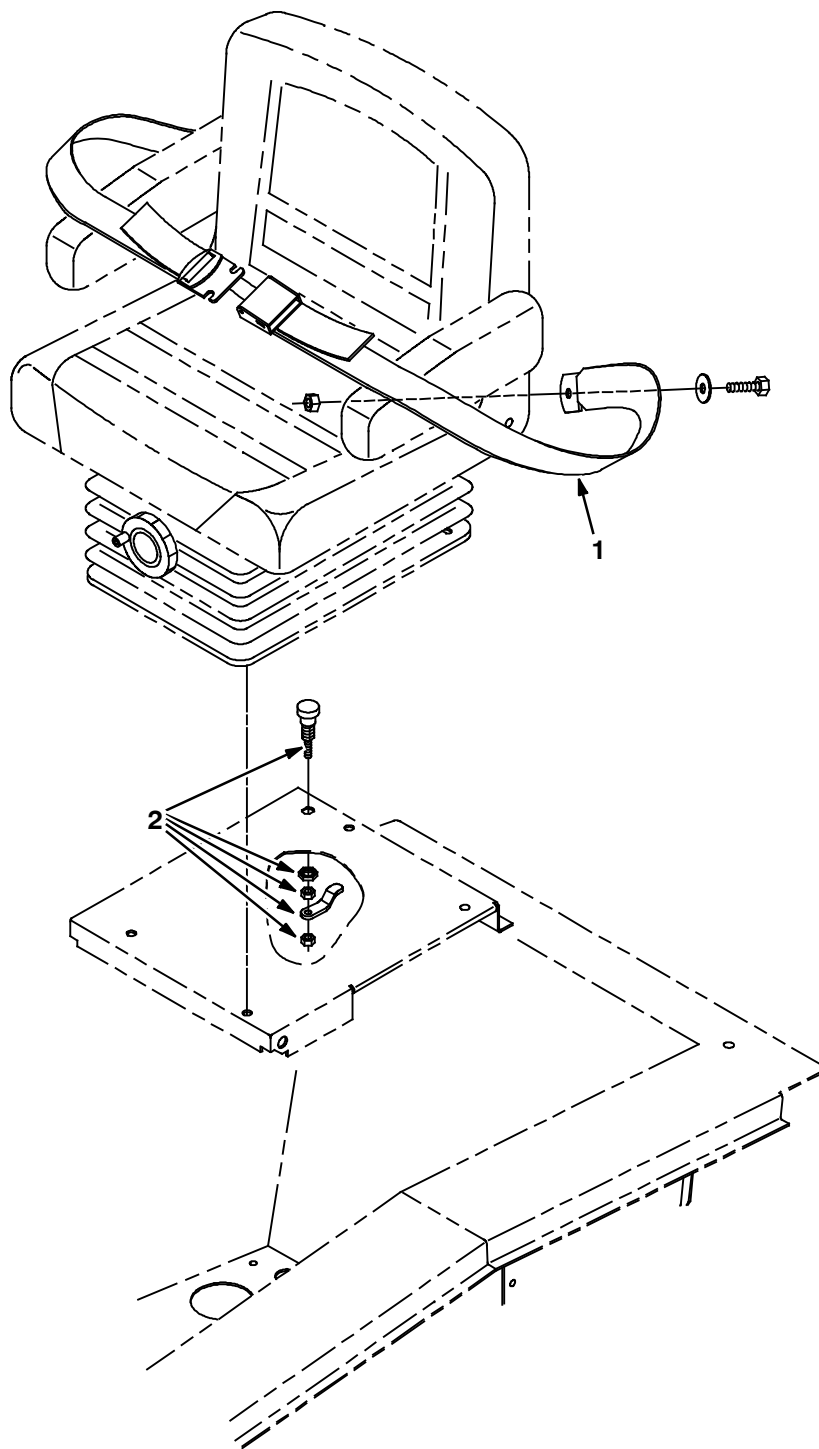
Fig. 30 - Solid Tire and Rim Assembly



07666 - ALL

	Ref.	Part No.	Serial Number	Description	Qty.
▽	1	21671	(004000-) Tire and Rim Assy, Solid 6.5	1
▲	2	63228	(004000-) Tire, Solid	1

Fig. 31 - Seat Belt Kit



07674 - ALL

	Ref.	Part No.	Serial Number	Description	Qty.
▽		70690	(004000-) Seat Belt Kit	1
▲	1	30533	(004000-) Belt, Seat	1
▲	2	87337	(004000-) Latch, Door	1

Fig. 32 - RFS Filter System Group

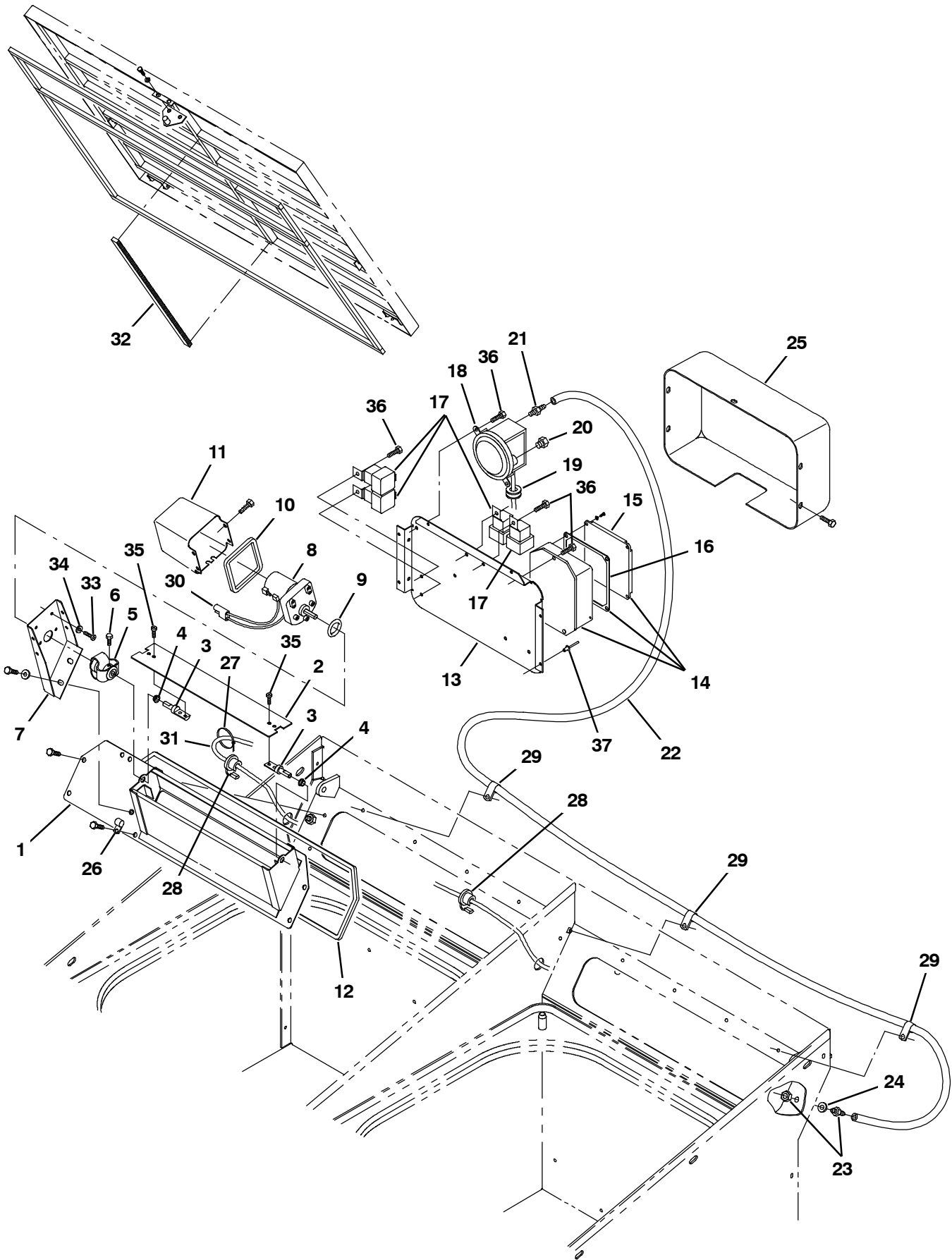


Fig. 32 - RFS Filter System Group

	Ref.	Part No.	Serial Number	Description	Qty.
▽		79174	(004000-) Rfs Kit	1
▲	1	79160	(004000-) Duct Wldt, Rfs	2
▲	2	79156	(004000-) Plate, Shutter	2
▲	3	79159	(004000-) Shaft, Pivot	4
▲	4	11747	(004000-) Bearing, Nylon	4
▲	5	79158	(004000-) Coupling	2
▲	6	42011	(004000-) Screw, Hex, 10-24 X 0.50, Ss	4
▲	7	79157	(004000-) Bracket, Mounting, Gearmotor	2
▲	8	79170	(004000-) Motor, Ele, Geared, 12Vdc	2
▲	9	79172	(004000-) Seal, O-Ring .787Idx.210Th	2
▲	10	79167	(004000-) Seal	2
▲	11	79155	(004000-) Cover, Motor	2
▲	12	79168	(004000-) Seal	2
▲	13	79177	(004000-) Plate, Mounting, Rfs Control	1
▲▽	14	79176	(004000-) Controller Assy, Rfs	1
▲▲	15	59954	(004000-) Cover, Housing, Electrical	1
▲▲	16	59921	(004000-) Gasket, Cover, Alum	1
▲	17	56186	(004000-) Relay, Shrouded, 12 Vdc	4
▲	18	75465	(004000-) Switch, Pressure	1
▲	19	10632-4	(004000-) Grommet,Rbr,0.62ld,For .06Matl	1
▲	20	82739	(004000-) Ftg, Breather	1
▲	21	40607	(004000-) Ftg,Brass,St Bm03/Pm02	1
▲	22	21301	(004000-) Hose, Vacuum, .16 Id X 76.0 Lg	1
▲	23	39923	(004000-) Ftg,Bulkhead-Barb Wh 1074X4	1
▲	24	43454	(004000-) Washer, .344B .69D .06Nylon	1
▲	25	79169	(004000-) Cover, Electrical	1
▲	26	40678	(004000-) Clamp,Cable .44D .62Wide	2
▲	27	49266	(004000-) Tie, Cable 1.75D Max 7.50Lg	12
▲	28	34864	(004000-) Strain,Relief	2
▲	29	46236	(004000-) Clamp-Cable, 0.25Dia 0.56Wth	3
▲	30	79025	(004000-) Harness, Motor, Duct	2
▲	31	79026	(004000-) Harness, Hopper, Rfs	1
▲		83706	(004000-) Harness, Rfs Jumper	1
▲	32	70851	(004000-) Seal, Urethane	1
▲		44961	(004000-) Tie, Cable 4.00 Max 14.50Lg	28
▲		23935	(004000-) Seal, Filter	2
▲		57809	(004000-) Breaker-Cicuit, 15 Resetable	2
▲	33	49766	(004000-) Screw, Hex, #08-32 X 0.38, Ss	8
▲	34	02938	(004000-) Washer, Lock, Int, 08 Ss	8
▲	35	06932	(004000-) Screw, Pan, M5 X 0.80 X 10, 4.8	8
▲	36	74455	(004000-) Screw, Hex, M6 X 1.0 X 12, Fmg	9
▲	37	34738	(004000-) Rivet, Blind, .125d X 0.32 X .25d, Stl	6

Fig. 33 - Cab AC Drain Hose Kit

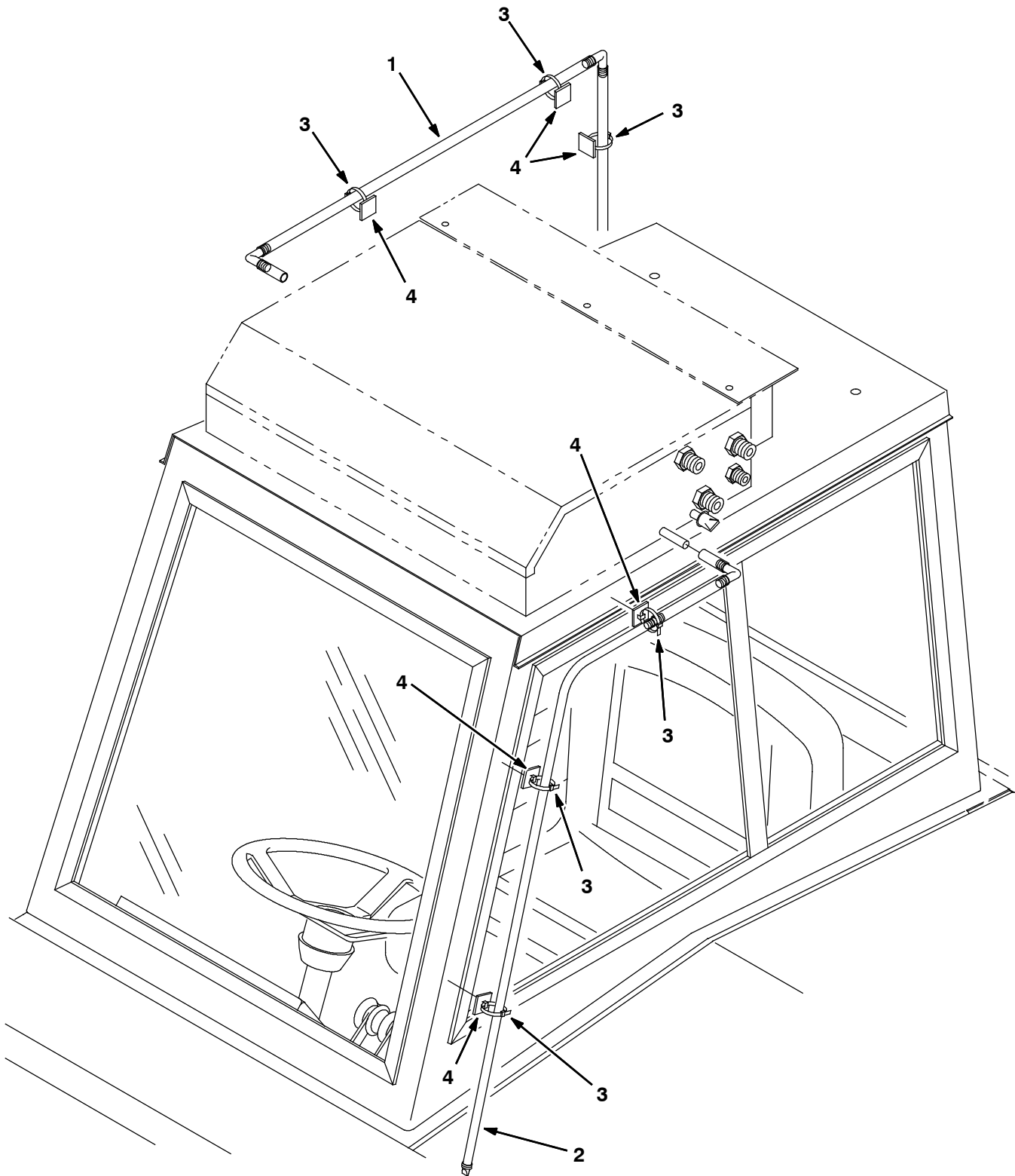
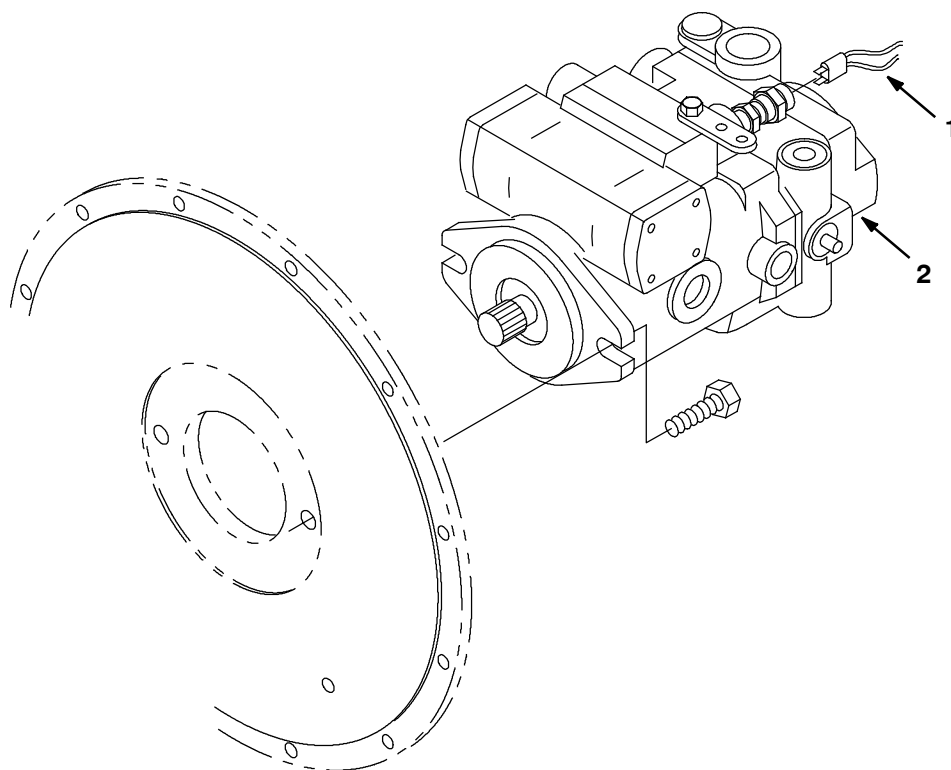


Fig. 33 - Cab AC Drain Hose Kit

	Ref.	Part No.	Serial Number	Description	Qty.
▽		374133	(004000-) Kit, Ci, Drain Hose, A/C	1
▲	1	374134	(004000-) Hose Assy, Drain, A/C	1
▲	2	374135	(004000-) Hose Assy, Drain, A/C	1
▲	3	49266	(004000-) Tie, Cable, Nyl, 07.3l .19w 1.8 Max D	10
▲	4	55248	(004000-) Mount, Cable Tie	10

Fig. 34 - Neutral Start Group



09831 - ALL

Ref.	Part No.	Serial Number	Description	Qty.
1	63407	(004000-)	Harness, Neutral, Start	1
2	74164	(004000-004586)	Pump, Hyd Piston V 2.48 (See breakdowns)	1
2	373405	(004587-)	Pump, Hyd Piston V 2.48 (See breakdowns)	1

Fig. 35 - Documentation Group

Ref.	Part No.	Serial Number	Description	Qty.
	330140	(004000-) Manual Pkg 800D	1
	MM337	(004000-) Manual, Service 800/810	1
	48842	(004000-) Oper/Video Vhs, 800	1
	330142	(004000-) Manual Op/Mt 800D Spanish	1
	330143	(004000-) Manual Op/Mt 800D French	1
	380503	(004000-) Engine Service Manual Pk 700 series	1
	330729	(004000-) Manual, Eng, Perk, F/ Eng 704-30, [Es]	1
	372897	(006009-007320) Manual, Service, [Caterpillar 3044c]	1
	9006204	(007321-) Manual, Service, Eng [Cat C3.4]	1

SECTION 4

Contents	Page	Contents	Page
Fig. 1 - Hydraulic Piston Pump Breakdown, 74163	4-2	Fig. 31 - AC Condenser Box Breakdown, 380625	4-53
Fig. 2 - Hydraulic Piston Pump Breakdown, 74163	4-4	Fig. 32 - AC and Heater Box Breakdown, 380613	4-54
Fig. 3 - Hydraulic Piston Pump Breakdown, 373404	4-6	Fig. 33 - Heater Box Breakdown, 380614	4-56
Fig. 4 - Hydraulic Piston Pump Breakdown, 373404	4-8	Fig. 34 - Brake Assy, Right Hand (R.h.) 77790 .	4-58
Fig. 5 - Hydraulic Manual Control Breakdown, 74273	4-10	Fig. 35 - Brake Assy, Left Hand (L.h.) 77770 . . .	4-60
Fig. 6 - Hydraulic Piston Pump Breakdown, 74164	4-12	Fig. 36 - Hydraulic Solenoid Valve Breakdown, 1049210	4-62
Fig. 7 - Hydraulic Piston Pump Breakdown, 74164	4-14	Fig. 37 - Hydraulic Solenoid Valve Breakdown, 1049209	4-64
Fig. 8 - Hydraulic Piston Pump Breakdown, 373405	4-16	Fig. 38 - Hydraulic Solenoid Valve Breakdown, 1049211	4-66
Fig. 9 - Hydraulic Piston Pump Breakdown, 373405	4-18		
Fig. 10 - Hydraulic Manual Control Breakdown, 373369	4-20		
Fig. 11 - Hydraulic Gear Pump Breakdown, 62561	4-22		
Fig. 12 - Hydraulic Gear Pump Breakdown, 373254	4-24		
Fig. 13 - Hydraulic Motor Breakdown, 63426 . . .	4-26		
Fig. 14 - Hydraulic Motor Breakdown, 22626 . . .	4-28		
Fig. 15 - Hydraulic Motor Breakdown, 373464 . .	4-30		
Fig. 16 - Hydraulic Motor Breakdown, 53434 . . .	4-32		
Fig. 17 - Hydraulic Motor Breakdown, 79781 . . .	4-33		
Fig. 18 - Hydraulic Motor Breakdown, 19117 . . .	4-34		
Fig. 19 - Hydraulic Motor Breakdown, 63542 . . .	4-35		
Fig. 20 - Hydraulic Steering Valve Breakdown, 65242	4-36		
Fig. 21 - Hydraulic Solenoid Valve Breakdown, 84015	4-38		
Fig. 22 - Hydraulic Solenoid Valve Breakdown, 84016	4-39		
Fig. 23 - Hydraulic Valve Breakdown, 375563 . .	4-40		
Fig. 24 - Hydraulic Solenoid Valve Breakdown, 84014	4-42		
Fig. 25 - Hydraulic Cylinder Breakdown, 53601	4-44		
Fig. 26 - Hydraulic Cylinder Breakdown, 1026719	4-45		
Fig. 27 - Cab Assembly	4-46		
Fig. 28 - Cab Door Assembly	4-48		
Fig. 29 - Cab Insulation Group	4-50		
Fig. 30 - Cab Wire Harness Group	4-52		

Fig. 1 - Hydraulic Piston Pump Breakdown, 74163

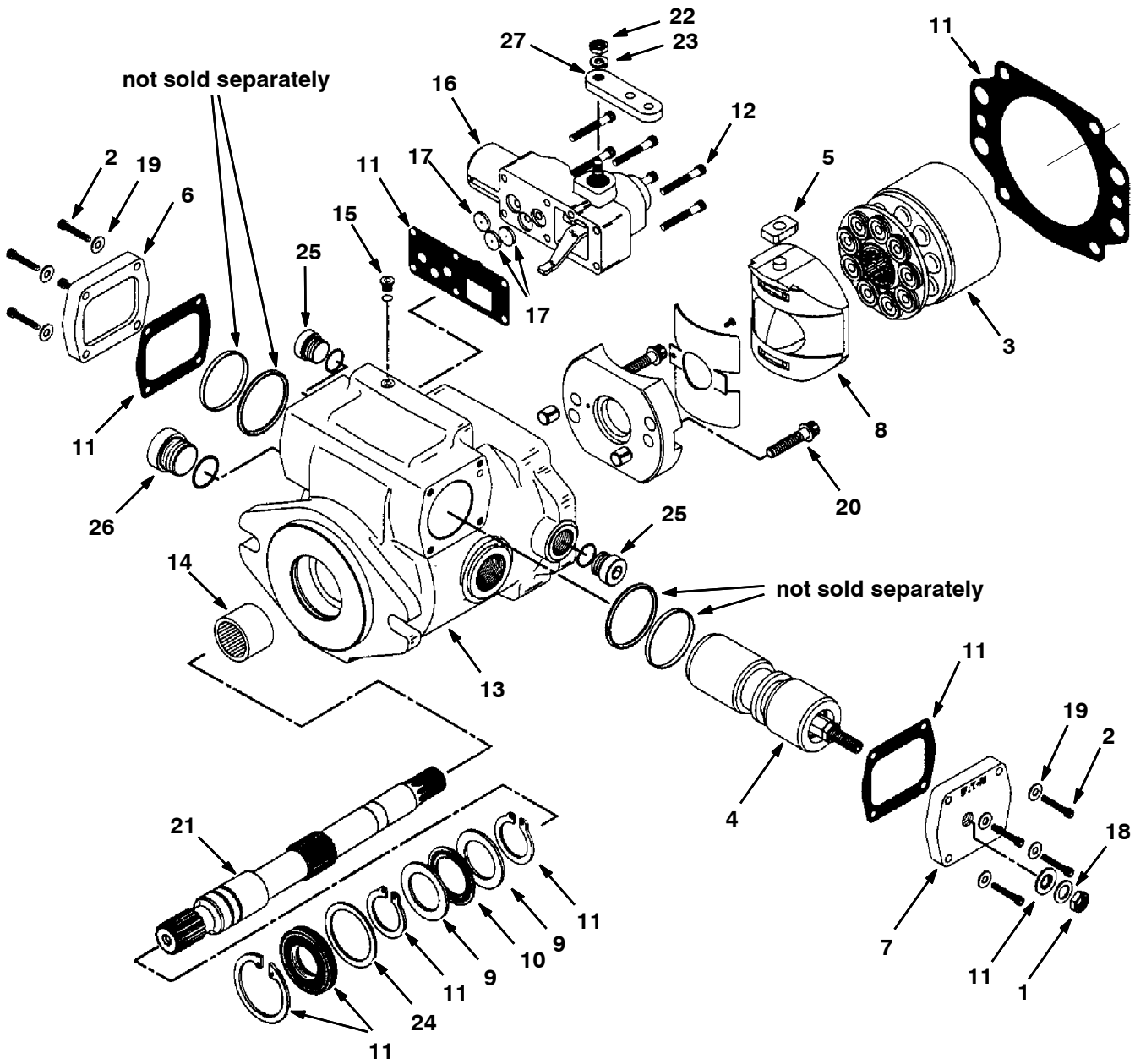


Fig. 1 - Hydraulic Piston Pump Breakdown, 74163

NOTE: Piston Pump, TENNANT Part Number 74163, includes Fig. 1, Fig. 2 and Fig. 5.

Ref.	Part No.	Serial Number	Description	Qty.
1	74184	(000000-) Nut, Jam	1
2	74223	(000000-) Screw, Cap	8
3	61882	(000000-) Rotating Kit	1
4	74253	(000000-) Piston, Servo	1
5	74254	(000000-) Follower, Piston	1
6	74256	(000000-) Plate, Cover En	1
7	74257	(000000-) Plate, Cover En	1
8	74258	(000000-) Camplate S/A En	1
9	74240	(000000-) Race, Bearing Ce	2
10	74210	(000000-) Bearing	1
11	74283	(000000-) Seal Kit, Pump En	1
12	74262	(000000-) Screw, Cap En	6
▽	74263	(000000-) Housing S/A En	1
▲	13 79771	(000000-) Housing En	1
▲	14 37462	(000000-) Bearing	1
▲	15 79742	(000000-) Plug S/A En	1
16	74273	(000000-) Control, Manual (See Breakdowns)	1
17	74276	(000000-) Orifice, Valve En	3
18	74280	(000000-) Washer En	1
19	74281	(000000-) Washer En	8
20	79747	(000000-) Cap Screw En	2
21	74265	(000000-) Shaft, Drive Sp En	1
22	74266	(000000-) Nut En	1
23	74267	(000000-) Lockwasher En	1
24	37460	(000000-) Washer	1
25	13907	(000000-) Plug #8	2
26	79779	(000000-) Plug,#12 O-Ring Ph	1
27	74272	(000000-) Arm, Control En	1

Fig. 2 - Hydraulic Piston Pump Breakdown, 74163

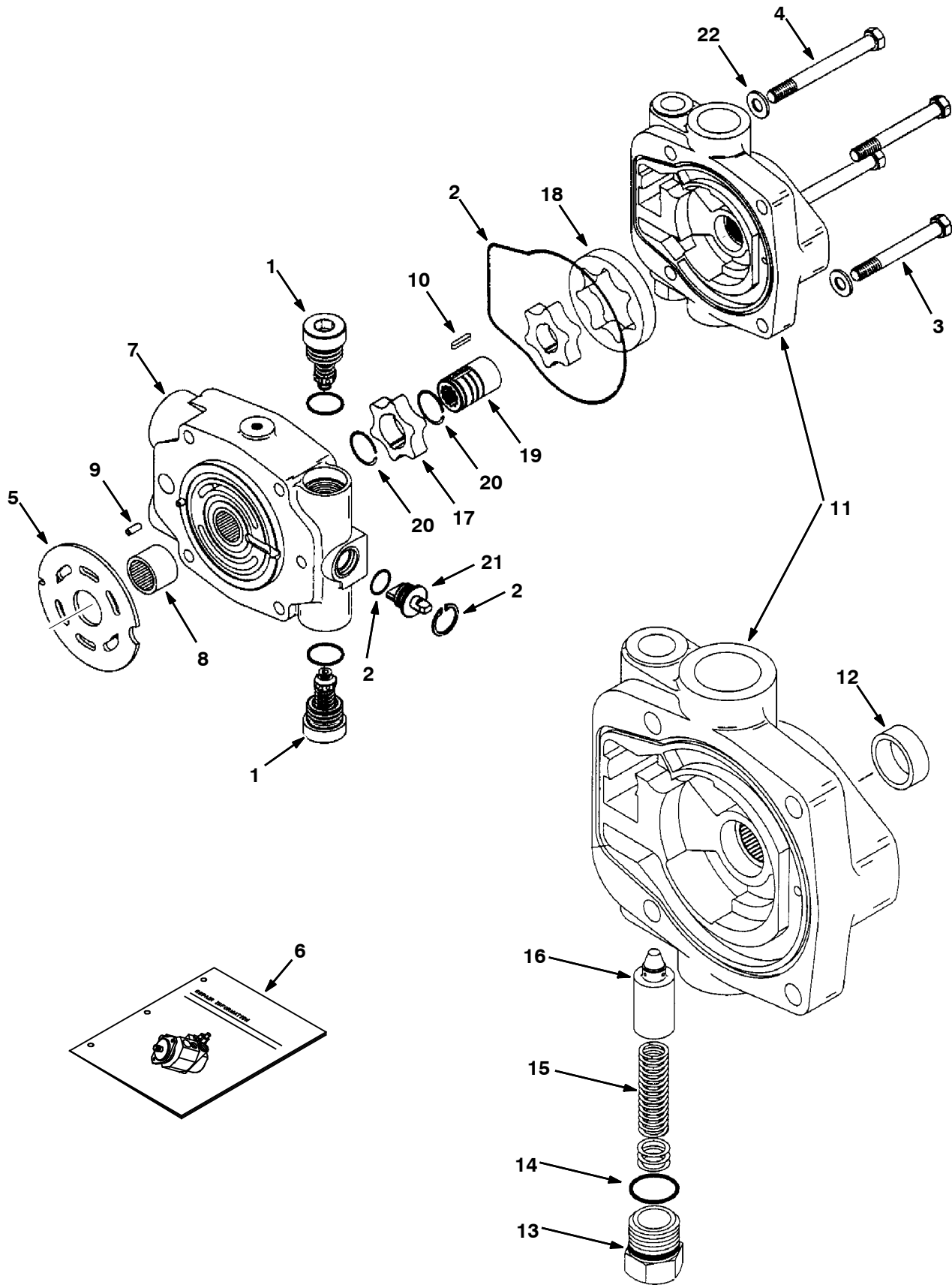


Fig. 2 - Hydraulic Piston Pump Breakdown, 74163

NOTE: Piston Pump, TENNANT Part Number 74163, includes Fig. 1, Fig. 2 and Fig. 5.

Ref.	Part No.	Serial Number	Description	Qty.	
1	74259	(000000-) Relief Valve Sa En	2	
2	74283	(000000-) Seal Kit, Pump En	1	
3	74260	(000000-) Screw, Cap En	2	
4	74261	(000000-) Screw, Cap En	2	
5	61886	(000000-) Valve Plate	1	
6	79708	(000000-) Repair Info,Pmp En	1	
▽	7	74264	(000000-) Backplate S/A En	1
▲	8	34159	(000000-) Bearing	1
▲	9	79748	(000000-) Roll Pin En	1
10	74270	(000000-) Key En	1	
▽	11	74271	(000000-) Charge Pmp Adap En	1
▲	12	79749	(000000-) Bushing En	1
▲	13	79750	(000000-) Plug En	1
▲	14	79751	(000000-) Shims En	1
▲	15	79752	(000000-) Spring En	1
▲	16	79753	(000000-) Poppet En	1
17	74274	(000000-) Geroter,Ring In En	1	
18	74275	(000000-) Geroter,Ring Ot En	1	
19	74277	(000000-) Coupler En	1	
20	74278	(000000-) Ring, Retaining En	2	
21	74279	(000000-) Actuator, Valve En	1	
22	74282	(000000-) Washer En	4	

Fig. 3 - Hydraulic Piston Pump Breakdown, 373404

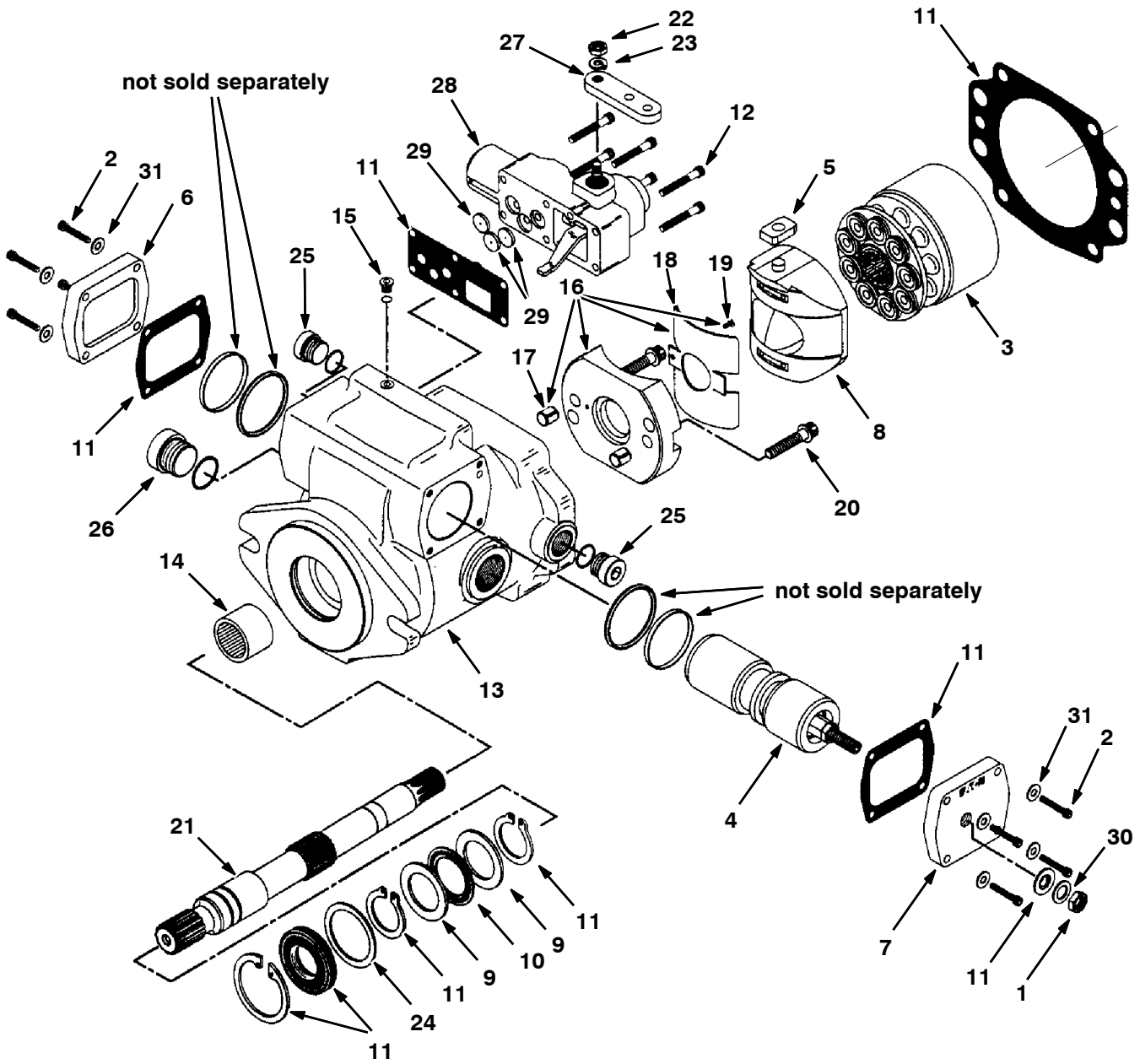


Fig. 3 - Hydraulic Piston Pump Breakdown, 373404

NOTE: Piston Pump, TENNANT Part Number 373404, includes Fig. 3, Fig. 4 and Fig. 5.

Ref.	Part No.	Serial Number	Description	Qty.
1	74184	(000000-) Nut, Jam	1
2	74223	(000000-) Screw, Cap	8
3	61882	(000000-) Rotating Kit	1
4	373407	(000000-) Piston, Servo	1
5	74254	(000000-) Follower, Piston	1
6	74256	(000000-) Plate, Cover En	1
7	74257	(000000-) Plate, Cover En	1
8	74258	(000000-) Camplate S/A En	1
9	74240	(000000-) Race, Bearing Ce	2
10	74210	(000000-) Bearing	1
11	74283	(000000-) Seal Kit, Pump En	1
12	74262	(000000-) Screw, Cap En	6
▽	373408	(000000-) Housing S/A En	1
▲	13 373409	(000000-) Housing En	1
▲	14 37462	(000000-) Bearing	1
▲	15 79742	(000000-) Plug S/A En	1
▽	16 373410	(000000-) Cradle Sub Assy En	1
▲	17 373218	(000000-) Dowel Bushing En	2
▲	18 373414	(000000-) Bushing En	1
▲	19 373415	(000000-) Cap Screw En	1
20	79747	(000000-) Cap Screw En	2
21	74265	(000000-) Shaft, Drive Sp En	1
22	74266	(000000-) Nut En	1
23	74267	(000000-) Lockwasher En	1
24	37460	(000000-) Washer	1
25	13907	(000000-) Plug #8	2
26	79779	(000000-) Plug,#12 O-Ring Ph	1
27	74272	(000000-) Arm, Control En	1
28	74273	(000000-) Control, Manual (See Breakdowns)	1
29	74276	(000000-) Orifice, Valve En	3
30	74280	(000000-) Washer En	1
31	74281	(000000-) Washer En	8

Fig. 4 - Hydraulic Piston Pump Breakdown, 373404

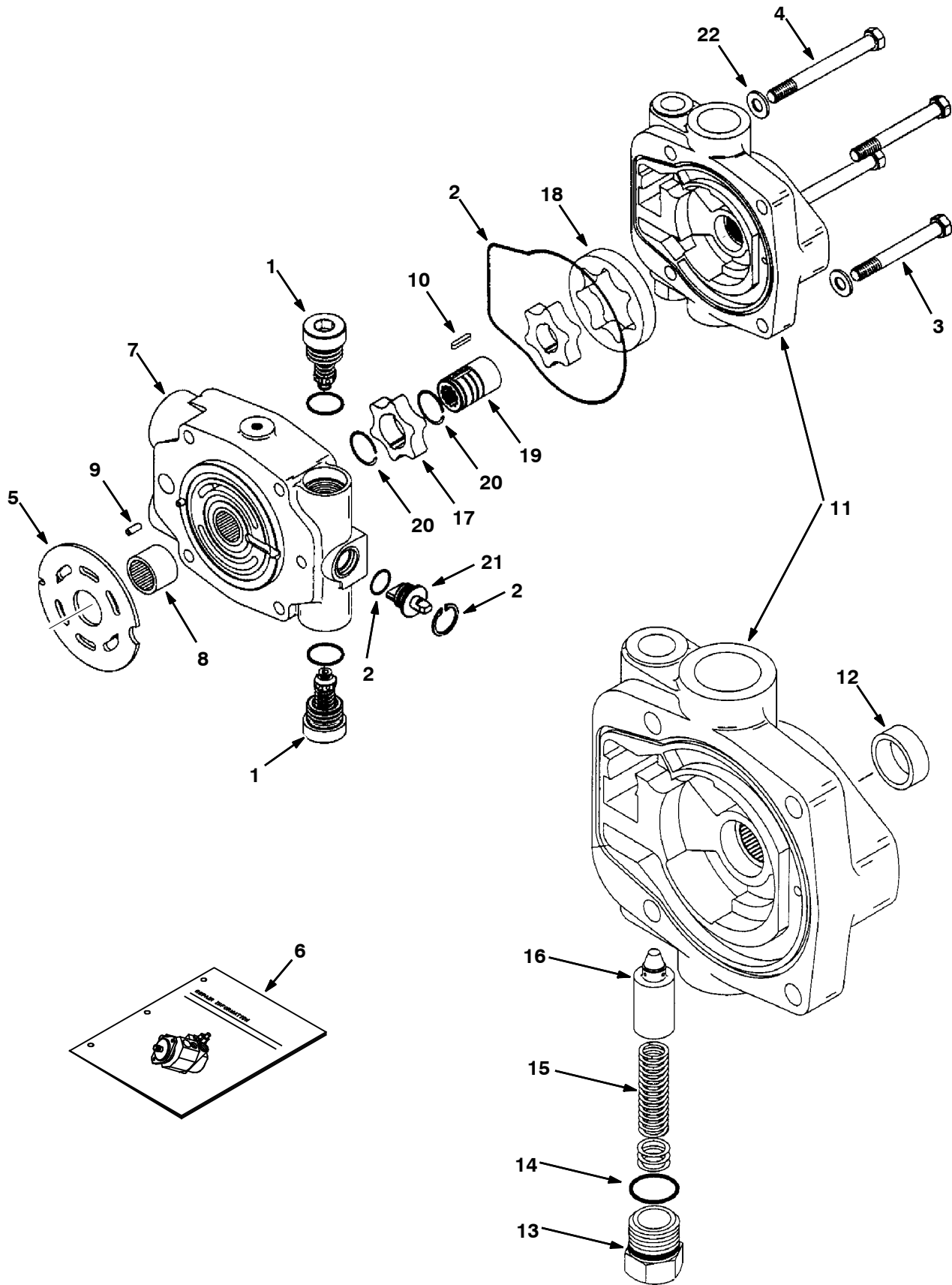


Fig. 4 - Hydraulic Piston Pump Breakdown, 373404

NOTE: Piston Pump, TENNANT Part Number 373404, includes .Fig. 3, Fig. 4 and Fig. 5.

Ref.	Part No.	Serial Number	Description	Qty.	
1	74259	(000000-) Relief Valve Sa En	2	
2	74283	(000000-) Seal Kit, Pump En	1	
3	373374	(000000-) Screw, Cap En	2	
4	373375	(000000-) Screw, Cap En	2	
5	61886	(000000-) Valve Plate	1	
6	373406	(000000-) Repair Info,Pmp En	1	
▽	7	373412	(000000-) Backplate S/A En	1
▲	8	34159	(000000-) Bearing	1
▲	9	79748	(000000-) Roll Pin En	1
10	74270	(000000-) Key En	1	
▽	11	74271	(000000-) Charge Pmp Adap En	1
▲	12	79749	(000000-) Bushing En	1
▲	13	79750	(000000-) Plug En	1
▲	14	79751	(000000-) Shims En	1
▲	15	79752	(000000-) Spring En	1
▲	16	79753	(000000-) Poppet En	1
17	74274	(000000-) Geroter,Ring In En	1	
18	74275	(000000-) Geroter,Ring Ot En	1	
19	74277	(000000-) Coupler En	1	
20	74278	(000000-) Ring, Retaining En	2	
21	373413	(000000-) Actuator, Valve En	1	
22	74282	(000000-) Washer En	4	

Fig. 5 - Hydraulic Manual Control Breakdown, 74273

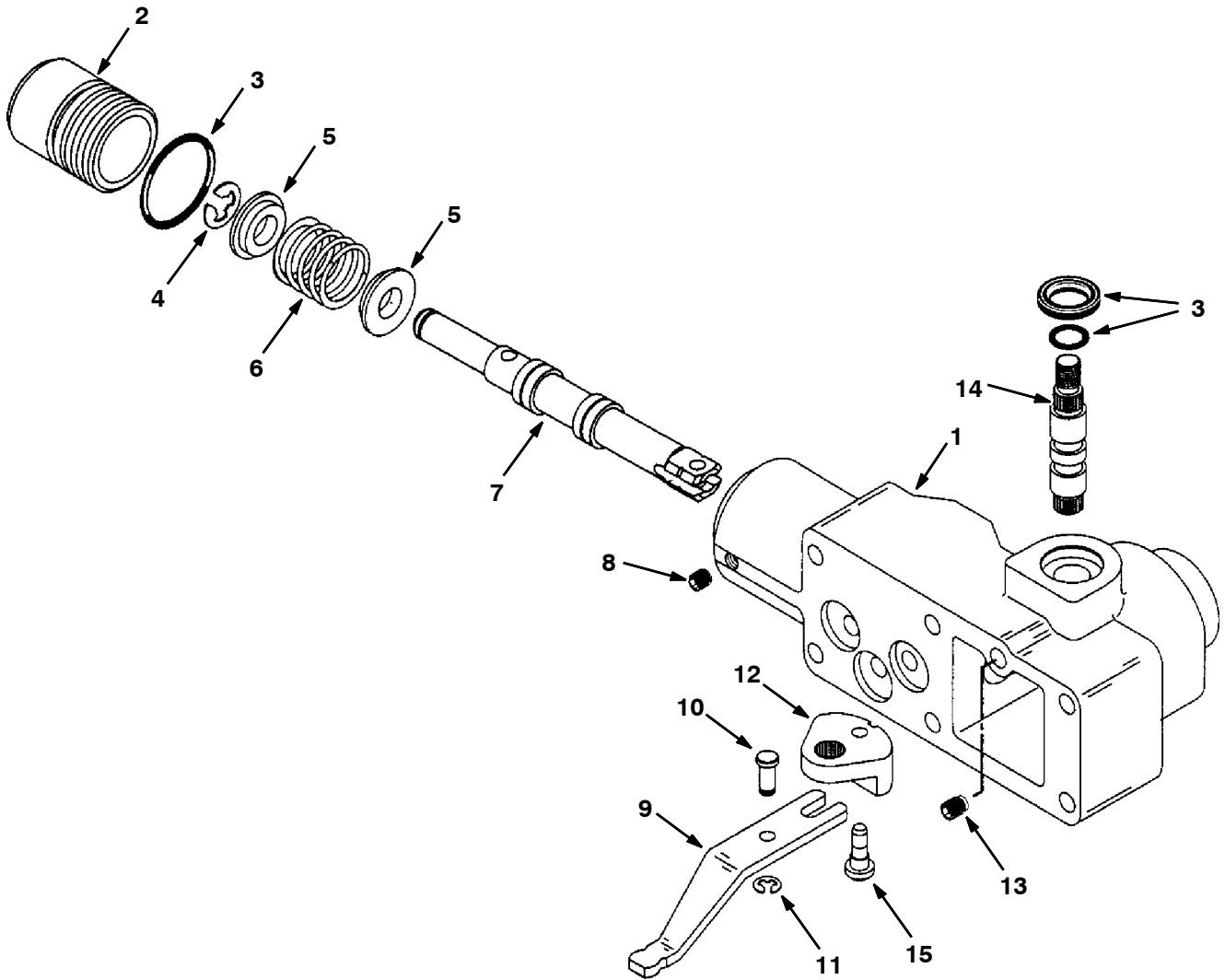


Fig. 5 - Hydraulic Manual Control Breakdown, 74273

NOTE: Piston Pump, TENNANT Part Number 74163, includes Fig. 1, Fig. 2 and Fig. 5.

NOTE: Piston Pump, TENNANT Part Number 373404, includes .Fig. 3, Fig. 4 and Fig. 5.

	Ref.	Part No.	Serial Number	Description	Qty.
▽		74273	(000000-) Control, Manual	1
▲	1	79754	(000000-) Housing,Control	1
▲	2	79755	(000000-) Plug	1
▲	3	79776	(000000-) Seal Kit,Cntrl	1
▲	4	79756	(000000-) Ring, Retaining	1
▲	5	79757	(000000-) Spring,Retainer	2
▲	6	79758	(000000-) Spring, Cntr	1
▲	7	79759	(000000-) Valve Spool	1
▲	8	79760	(000000-) Screw, Set	1
▲	9	79761	(000000-) Link, Feedback	1
▲	10	79762	(000000-) Dowel Pin	1
▲	11	79763	(000000-) Ring, Retaining	1
▲	12	79764	(000000-) Bell Crank	1
▲	13	79765	(000000-) Screw, Set	1
▲	14	79766	(000000-) Shaft, Input	1
▲	15	79767	(000000-) Pin, Headed	1

Fig. 6 - Hydraulic Piston Pump Breakdown, 74164

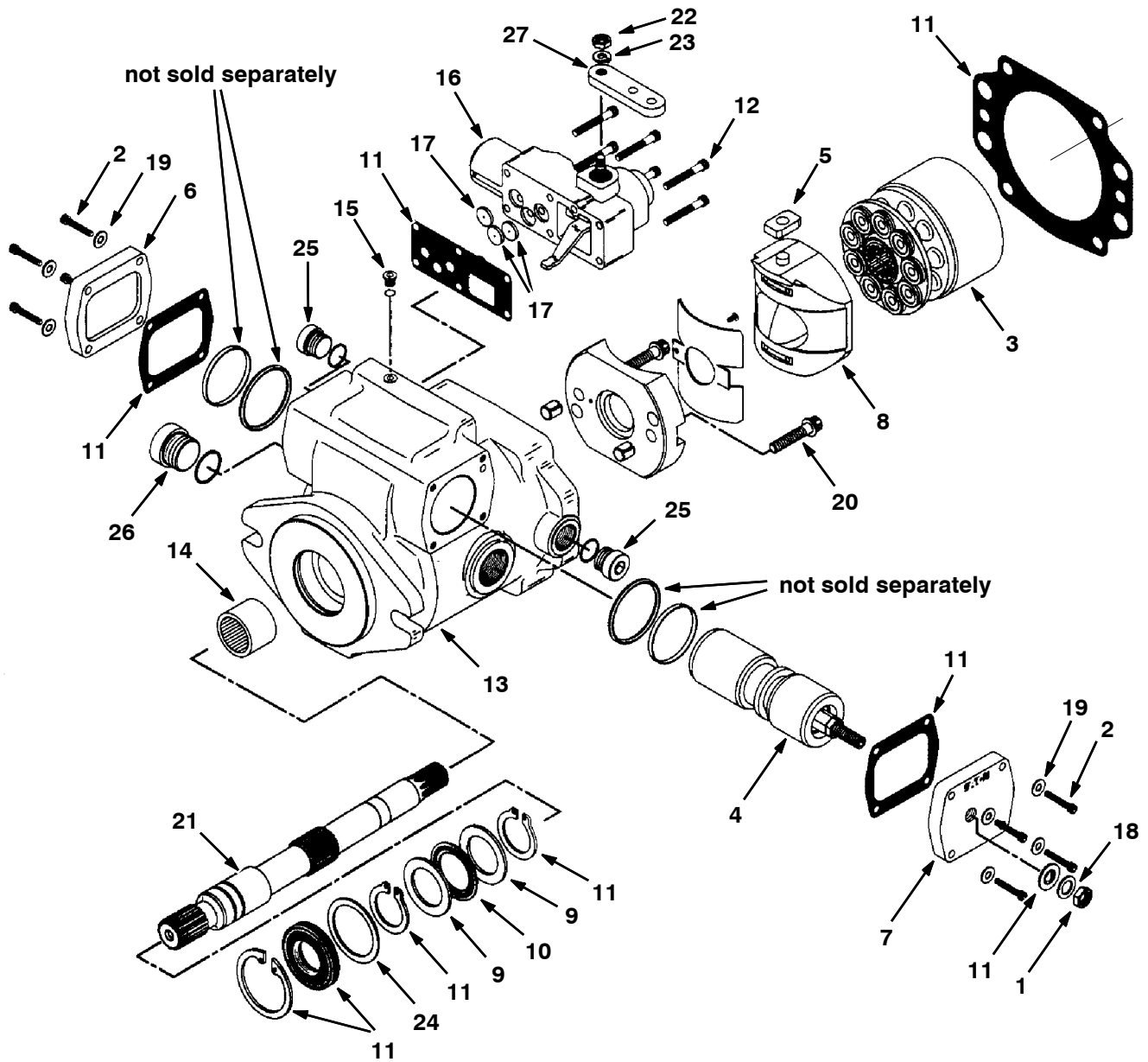


Fig. 6 - Hydraulic Piston Pump Breakdown, 74164

NOTE: Piston Pump, TENNANT Part Number 74164, includes Fig. 6, Fig. 7 and Fig. 10.

Ref.	Part No.	Serial Number	Description	Qty.
1	74184	(000000-) Nut, Jam	1
2	74223	(000000-) Screw, Cap	8
3	61882	(000000-) Rotating Kit	1
4	74253	(000000-) Piston, Servo	1
5	74254	(000000-) Follower, Piston	1
6	74256	(000000-) Plate, Cover En	1
7	74257	(000000-) Plate, Cover En	1
8	74258	(000000-) Camplate S/A En	1
9	74240	(000000-) Race, Bearing Ce	2
10	74210	(000000-) Bearing	1
11	74283	(000000-) Seal Kit, Pump En	1
12	74262	(000000-) Screw, Cap En	6
▽	74263	(000000-) Housing S/A En	1
▲	13 79771	(000000-) Housing En	1
▲	14 37462	(000000-) Bearing	1
▲	15 79742	(000000-) Plug S/A En	1
	16 373369	(000000-) Control, Manual (See Breakdowns)	1
	17 74276	(000000-) Orifice, Valve En	3
	18 74280	(000000-) Washer En	1
	19 74281	(000000-) Washer En	8
	20 79747	(000000-) Cap Screw En	2
	21 74265	(000000-) Shaft, Drive Sp En	1
	22 74266	(000000-) Nut En	1
	23 74267	(000000-) Lockwasher En	1
	24 37460	(000000-) Washer	1
	25 13907	(000000-) Plug #8	2
	26 79779	(000000-) Plug,#12 O-Ring Ph	1
	27 74272	(000000-) Arm, Control En	1

Fig. 7 - Hydraulic Piston Pump Breakdown, 74164

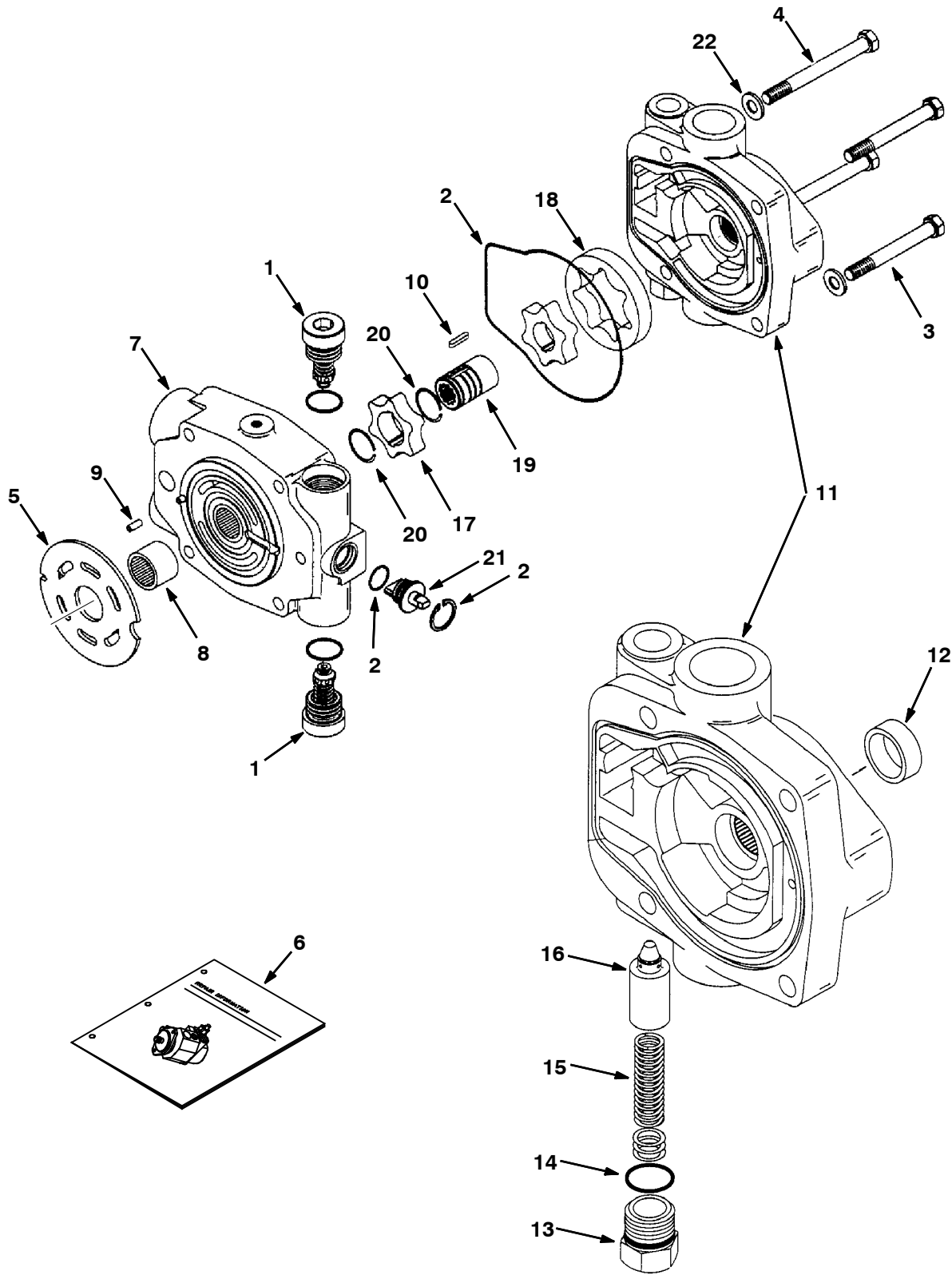


Fig. 7 - Hydraulic Piston Pump Breakdown, 74164

NOTE: Piston Pump, TENNANT Part Number 74164, includes Fig. 6, Fig. 7 and Fig. 10.

Ref.	Part No.	Serial Number	Description	Qty.	
1	74259	(000000-) Relief Valve Sa En	2	
2	74283	(000000-) Seal Kit, Pump En	1	
3	74260	(000000-) Screw, Cap En	2	
4	74261	(000000-) Screw, Cap En	2	
5	61886	(000000-) Valve Plate	1	
6	79708	(000000-) Repair Info,Pmp En	1	
▽	7	74264	(000000-) Backplate S/A En	1
▲	8	34159	(000000-) Bearing	1
▲	9	79748	(000000-) Roll Pin En	1
10	74270	(000000-) Key En	1	
▽	11	74271	(000000-) Charge Pmp Adap En	1
▲	12	79749	(000000-) Bushing En	1
▲	13	79750	(000000-) Plug En	1
▲	14	79751	(000000-) Shims En	1
▲	15	79752	(000000-) Spring En	1
▲	16	79753	(000000-) Poppet En	1
17	74274	(000000-) Geroter,Ring In En	1	
18	74275	(000000-) Geroter,Ring Ot En	1	
19	74277	(000000-) Coupler En	1	
20	74278	(000000-) Ring, Retaining En	2	
21	74279	(000000-) Actuator, Valve En	1	
22	74282	(000000-) Washer En	4	

Fig. 8 - Hydraulic Piston Pump Breakdown, 373405

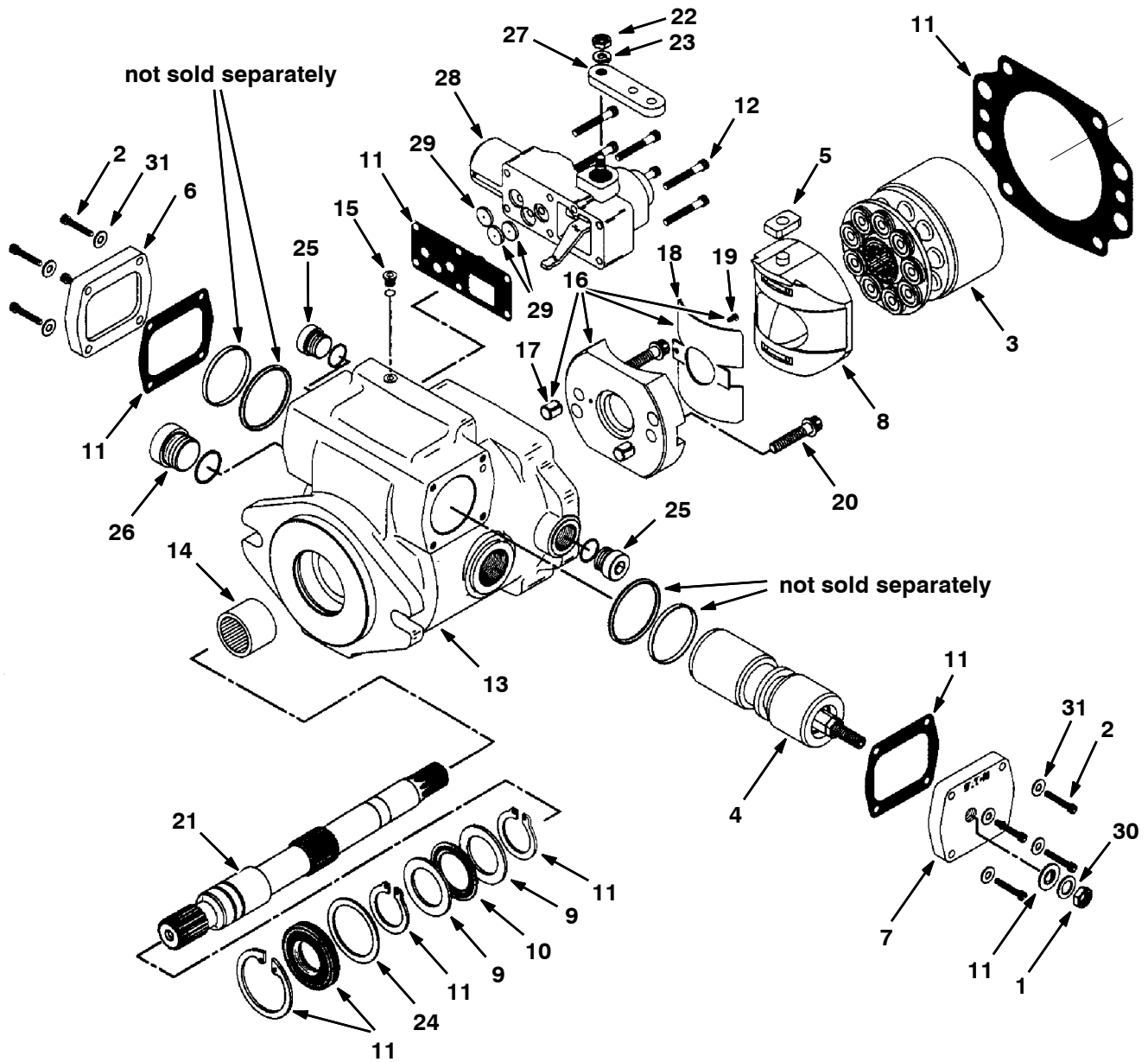


Fig. 8 - Hydraulic Piston Pump Breakdown, 373405

NOTE: Piston Pump, TENNANT Part Number 373405, includes Fig. 8, Fig. 9 and Fig. 10.

Ref.	Part No.	Serial Number	Description	Qty.
1	74184	(000000-) Nut, Jam	1
2	74223	(000000-) Screw, Cap	8
3	61882	(000000-) Rotating Kit	1
4	373407	(000000-) Piston, Servo	1
5	74254	(000000-) Follower, Piston	1
6	74256	(000000-) Plate, Cover En	1
7	74257	(000000-) Plate, Cover En	1
8	74258	(000000-) Camplate S/A En	1
9	74240	(000000-) Race, Bearing Ce	2
10	74210	(000000-) Bearing	1
11	74283	(000000-) Seal Kit, Pump En	1
12	74262	(000000-) Screw, Cap En	6
▽	373408	(000000-) Housing S/A En	1
▲	13 373409	(000000-) Housing En	1
▲	14 37462	(000000-) Bearing	1
▲	15 79742	(000000-) Plug S/A En	1
▽	16 373410	(000000-) Cradle Sub Assy En	1
▲	17 373218	(000000-) Dowel Bushing En	2
▲	18 373414	(000000-) Bushing En	1
▲	19 373415	(000000-) Cap Screw En	1
20	79747	(000000-) Cap Screw En	2
21	74265	(000000-) Shaft, Drive Sp En	1
22	74266	(000000-) Nut En	1
23	74267	(000000-) Lockwasher En	1
24	37460	(000000-) Washer	1
25	13907	(000000-) Plug #8	2
26	79779	(000000-) Plug,#12 O-Ring Ph	1
27	74272	(000000-) Arm, Control En	1
28	373369	(000000-) Control, Manual (See Breakdowns)	1
29	74276	(000000-) Orifice, Valve En	3
30	74280	(000000-) Washer En	1
31	74281	(000000-) Washer En	8

Fig. 9 - Hydraulic Piston Pump Breakdown, 373405

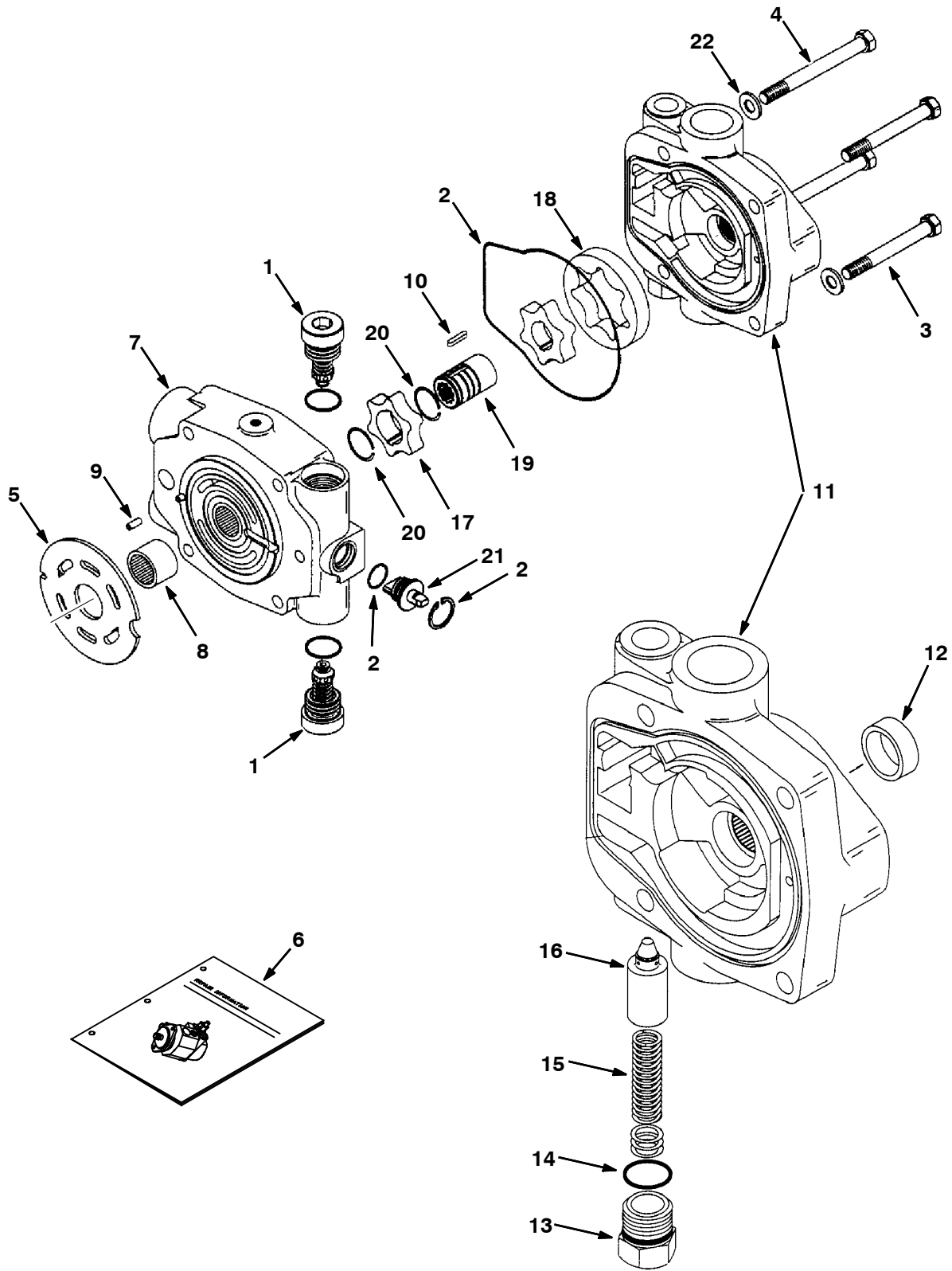


Fig. 9 - Hydraulic Piston Pump Breakdown, 373405

NOTE: Piston Pump, TENNANT Part Number 373405, includes Fig. 8, Fig. 9 and Fig. 10.

Ref.	Part No.	Serial Number	Description	Qty.	
1	74259	(000000-) Relief Valve Sa En	2	
2	74283	(000000-) Seal Kit, Pump En	1	
3	373374	(000000-) Screw, Cap En	2	
4	373375	(000000-) Screw, Cap En	2	
5	61886	(000000-) Valve Plate	1	
6	373406	(000000-) Repair Info,Pmp En	1	
▽	7	373412	(000000-) Backplate S/A En	1
▲	8	34159	(000000-) Bearing	1
▲	9	79748	(000000-) Roll Pin En	1
10	74270	(000000-) Key En	1	
▽	11	74271	(000000-) Charge Pmp Adap En	1
▲	12	79749	(000000-) Bushing En	1
▲	13	79750	(000000-) Plug En	1
▲	14	79751	(000000-) Shims En	1
▲	15	79752	(000000-) Spring En	1
▲	16	79753	(000000-) Poppet En	1
17	74274	(000000-) Geroter,Ring In En	1	
18	74275	(000000-) Geroter,Ring Ot En	1	
19	74277	(000000-) Coupler En	1	
20	74278	(000000-) Ring, Retaining En	2	
21	373413	(000000-) Actuator, Valve En	1	
22	74282	(000000-) Washer En	4	

Fig. 10 - Hydraulic Manual Control Breakdown, 373369

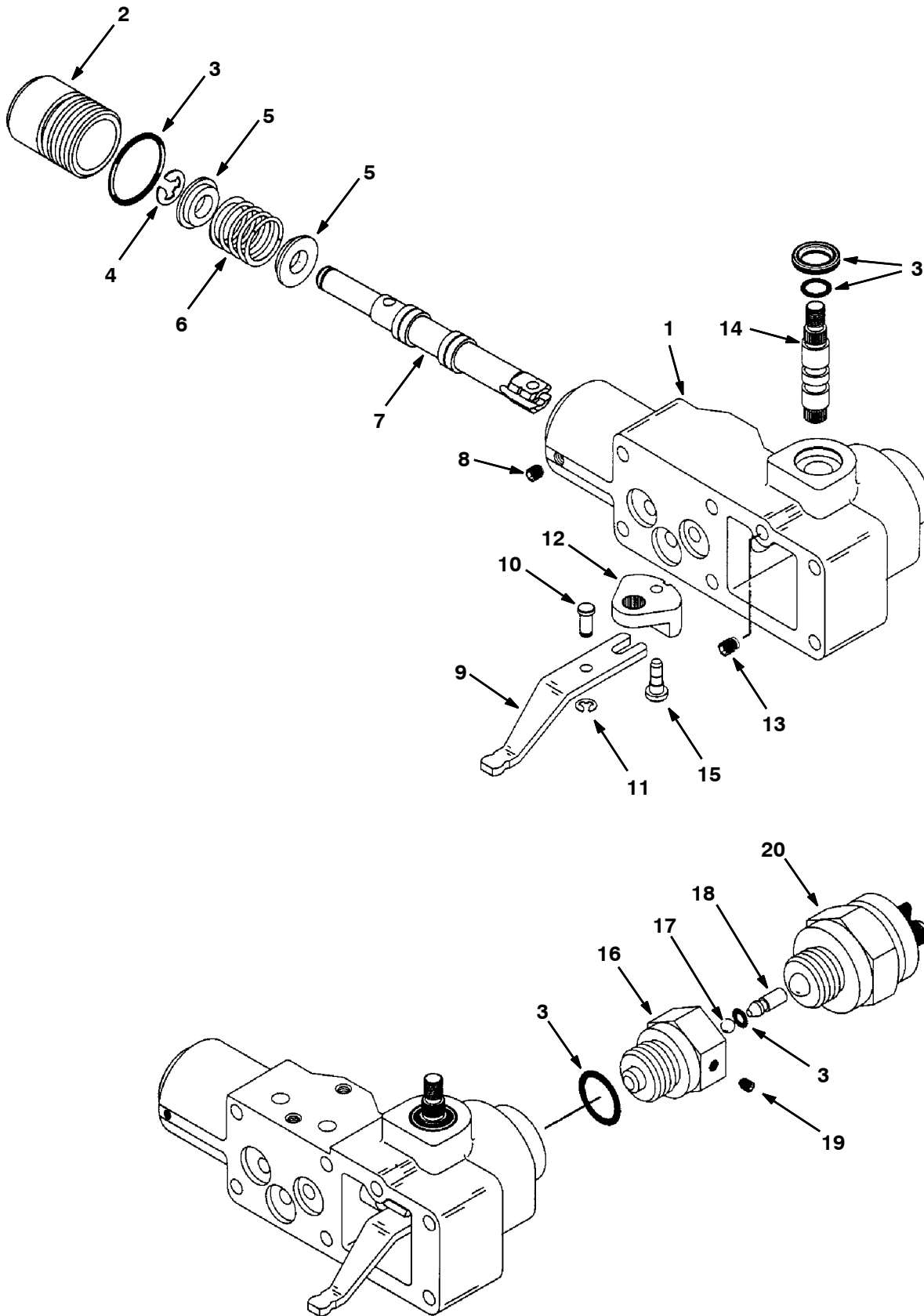


Fig. 10 - Hydraulic Manual Control Breakdown, 373369

NOTE: Piston Pump, TENNANT Part Number 74164, includes Fig. 6, Fig. 7 and Fig. 10.

NOTE: Piston Pump, TENNANT Part Number 373405, includes Fig. 8, Fig. 9 and Fig. 10.

	Ref.	Part No.	Serial Number	Description	Qty.
▽		373369	(000000-) Manual Control En	1
▲	1	79777	(000000-) Housing,Control En	1
▲	2	79755	(000000-) Plug En	1
▲	3	79776	(000000-) Seal Kit,Cntrl En	1
▲	4	79756	(000000-) Ring, Retaining En	1
▲	5	79757	(000000-) Spring,Retainer En	2
▲	6	79758	(000000-) Spring, Cntr En	1
▲	7	79772	(000000-) Vlv Spool Wide En	1
▲	8	79760	(000000-) Screw, Set En	1
▲	9	79761	(000000-) Link, Feedback En	1
▲	10	79762	(000000-) Dowel Pin En	1
▲	11	79763	(000000-) Ring, Retaining En	1
▲	12	79764	(000000-) Bell Crank En	1
▲	13	79765	(000000-) Screw, Set En	1
▲	14	79766	(000000-) Shaft, Input En	1
▲	15	79767	(000000-) Pin, Headed En	1
▲	16	373371	(000000-) Adaptor,Neutral En	1
▲	17	79774	(000000-) Ball En	1
▲	18	373372	(000000-) Pin, Cntrl Assy En	1
▲	19	79760	(000000-) Screw, Set En	1
▲	20	373373	(000000-) Switch,Lockout En	1

Fig. 11 - Hydraulic Gear Pump Breakdown, 62561

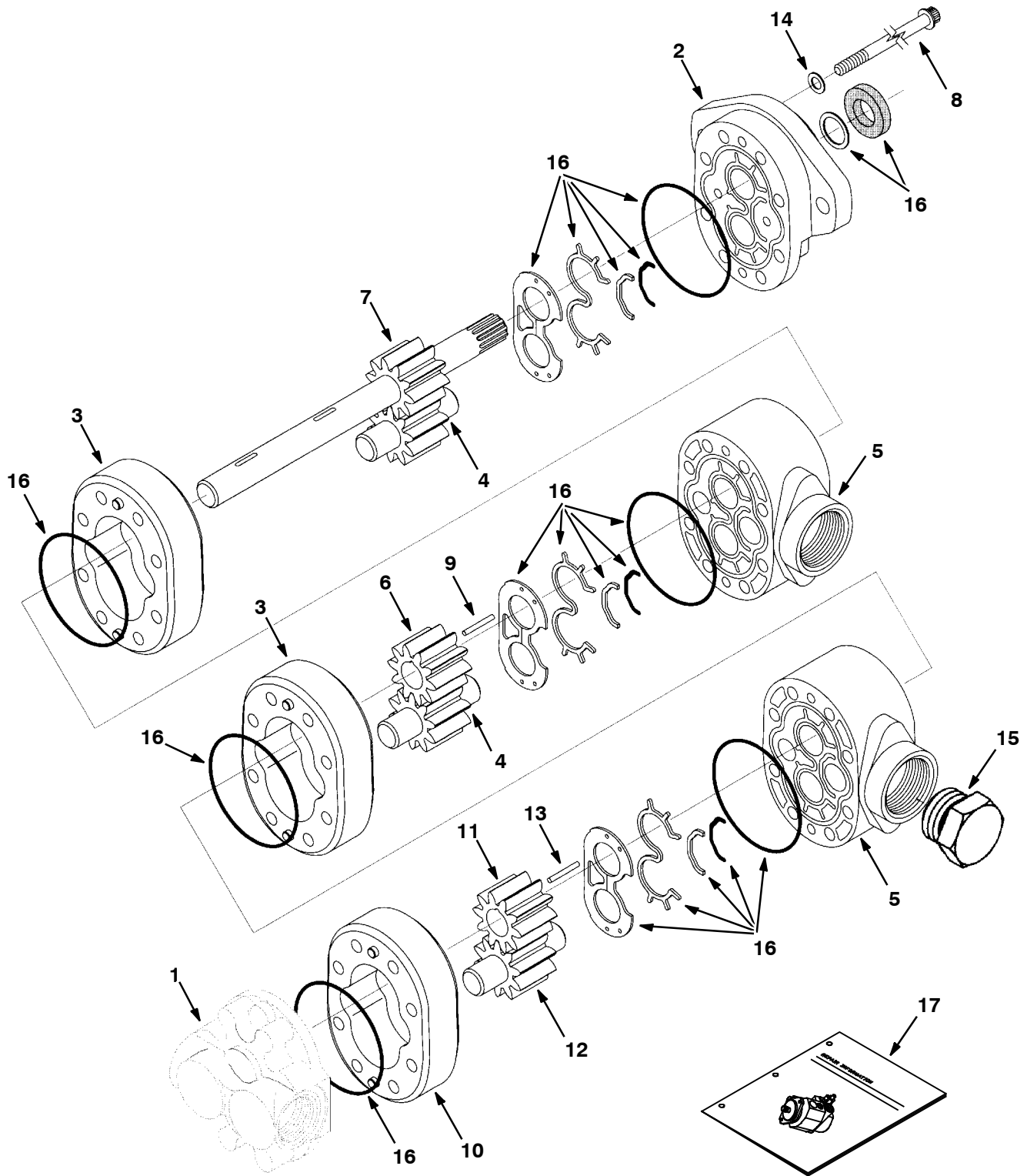


Fig. 11 - Hydraulic Gear Pump Breakdown, 62561

	Ref.	Part No.	Serial Number	Description	Qty.
▽		62561	(000000-) Pump, Hyd	1
▲	1	58242	(000000-) Plate, Back	1
▲	2	74149	(000000-) Plate, Front	1
▲	3	74150	(000000-) Body Assy	2
▲	4	74151	(000000-) Gear, Idler	2
▲	5	74152	(000000-) Plate, Adapter	2
▲	6	74148	(000000-) Gear, Slip Fit	1
▲	7	65226	(000000-) Drive Gear Assembly	1
▲	8	74154	(000000-) Screw, Cap	8
▲	9	74160	(000000-) Key, Round	1
▲	10	74157	(000000-) Body Assembly	1
▲	11	74153	(000000-) Gear	1
▲	12	74158	(000000-) Gear, Idler	1
▲	13	74156	(000000-) Key, Round	1
▲	14	74159	(000000-) Washer	4
▲	15	74161	(000000-) Plug, O-ring	1
▲	16	59305	(000000-) Kit, Seal, Hyd, Pump	1
▲	17	763483	(000000-) Repair Info, Pump	1

Fig. 12 - Hydraulic Gear Pump Breakdown, 373254

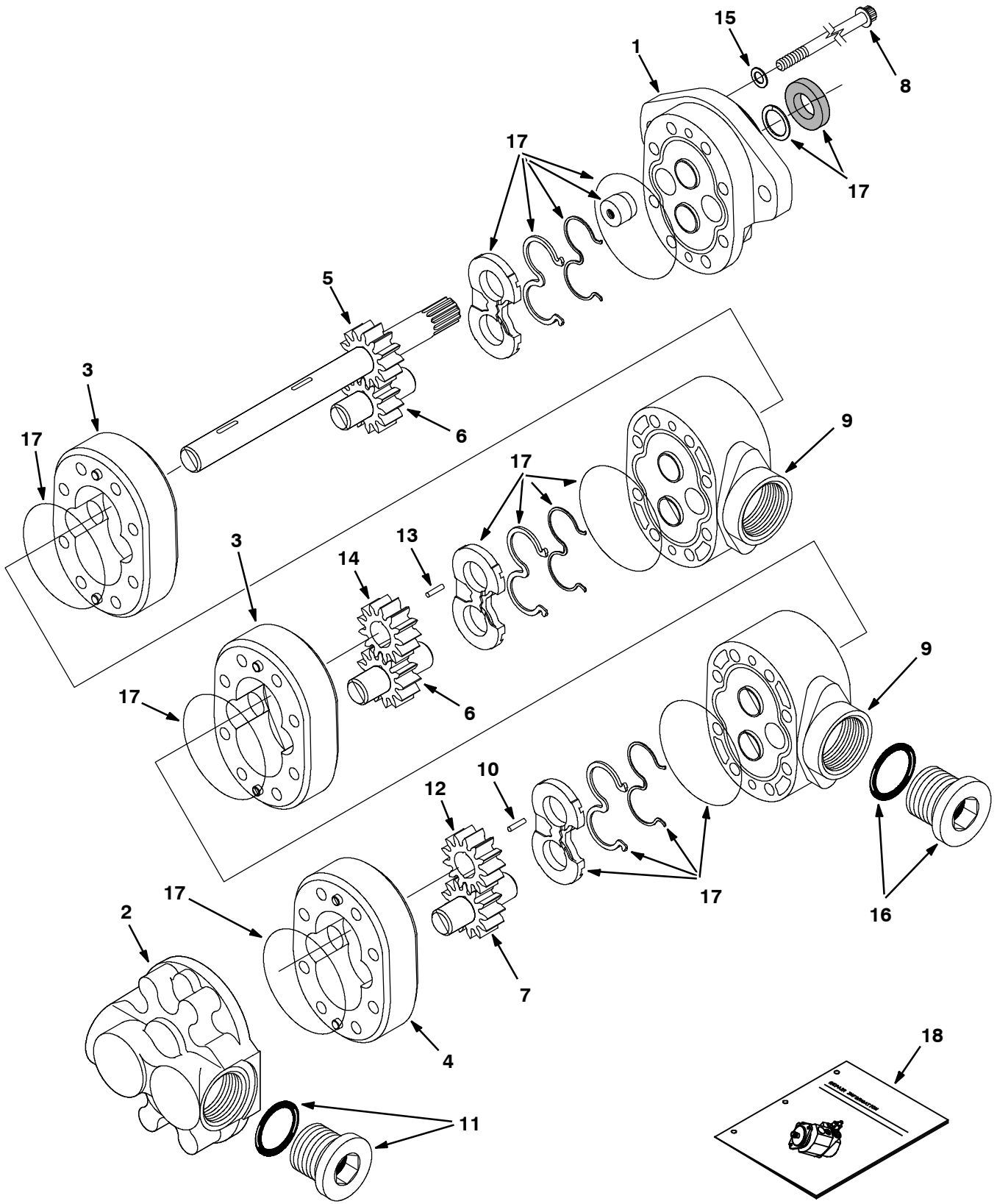


Fig. 12 - Hydraulic Gear Pump Breakdown, 373254

Ref.	Part No.	Serial Number	Description	Qty.
▽	373254	(000000-) Pump, Hyd, Gear, [Ex3] 0.66 [R] 3000	1
▲ 1	373201	(000000-) Plate, Front, Pump, Hyd	1
▲ 2	373276	(000000-) Plate, Back, Pump, Hyd	1
▲ 3	373232	(000000-) Housing	1
▲ 4	373256	(000000-) Body	2
▲ 5	373457	(000000-) Gear, Drive	1
▲ 6	373211	(000000-) Gear Assy, Idler	1
▲ 7	373258	(000000-) Gear, Idler	2
▲ 8	74154	(000000-) Screw, Cap, Motor, Hyd	8
▲ 9	373235	(000000-) Plate, Adaptor	2
▲ 10	373458	(000000-) Key	1
▲ 11	71725	(000000-) Plug, O-Ring	1
▲ 12	373259	(000000-) Gear, [Slip Fit]	1
▲ 13	373284	(000000-) Key	1
▲ 14	373242	(000000-) Gear	1
▲ 15	373243	(000000-) Washer	4
▲ 16	74161	(000000-) Plug, O-Ring	1
▲ 17	373255	(000000-) Kit, Seal, Pump	1
▲ 18	373207	(000000-) Instr, Kit, Repair, Pump, Hyd	1

Fig. 13 - Hydraulic Motor Breakdown, 63426

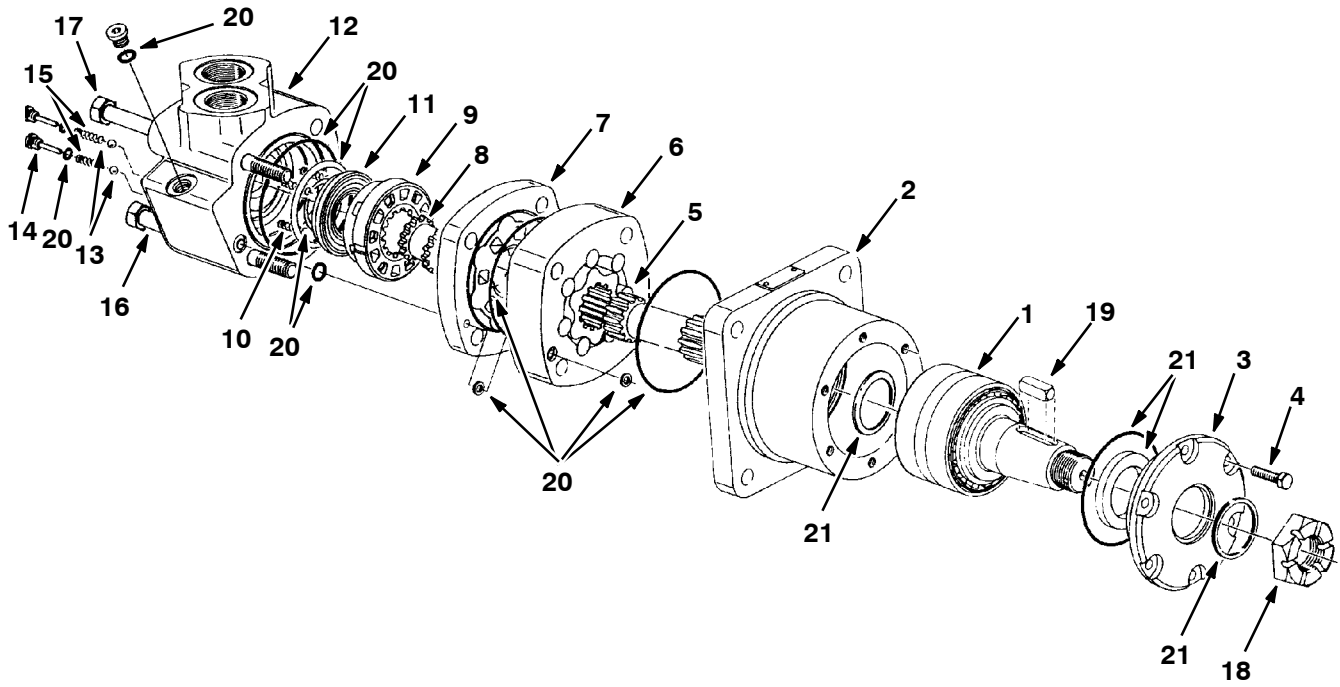


Fig. 13 - Hydraulic Motor Breakdown, 63426

	Ref.	Part No.	Serial Number	Description	Qty.
▽		63426	(000000-) Motor, Propelling	1
▲	1	34180	(000000-) Shaft and Brg	1
▲	2	74132	(000000-) Housing, Brg	1
▲	3	74133	(000000-) Retainer, Frt	1
▲	4	37943	(000000-) Bolt	6
▲	5	34181	(000000-) Drive	1
▲	6	34182	(000000-) Gerotor Set	1
▲	7	34184	(000000-) Valve Plate	1
▲	8	34183	(000000-) Drive, Valve	1
▲	9	34185	(000000-) Valve	1
▲	10	34178	(000000-) Spring	3
▲	11	37723	(000000-) Plate	1
▲	12	74134	(000000-) Housing Assy	1
▲	13	37766	(000000-) Ball	2
▲	14	74137	(000000-) Plug Assembly	2
▲	15	34179	(000000-) Spring	2
▲	16	74135	(000000-) Screw, Cap	2
▲	17	74136	(000000-) Screw, Cap	2
▲	18	45622	(000000-) Nut	1
▲	19	45623	(000000-) Key	1
▲	20	40380	(000000-) Seal Kit, Motor	1
▲	21	65227	(000000-) Seal Kit, Shaft	1

Fig. 14 - Hydraulic Motor Breakdown, 22626

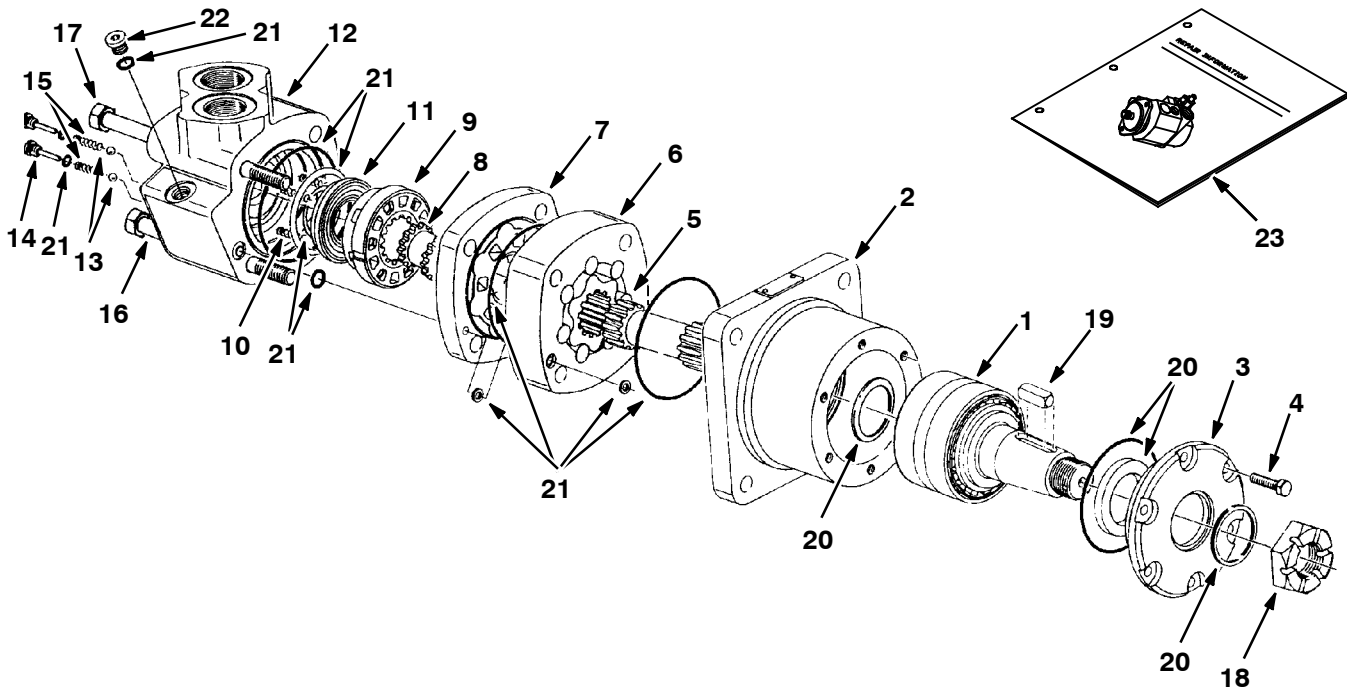


Fig. 14 - Hydraulic Motor Breakdown, 22626

Ref.	Part No.	Serial Number	Description	Qty.
▽	22626	(000000-) Motor, Propelling	1
▲	1 22629	(000000-) Shaft and Brg	1
▲	2 22630	(000000-) Housing, Brg	1
▲	3 22636	(000000-) Retainer, Frt	1
▲	4 37943	(000000-) Bolt	6
▲	5 34181	(000000-) Drive	1
▲	6 74214	(000000-) Gerotor Set	1
▲	7 34184	(000000-) Valve Plate	1
▲	8 34183	(000000-) Drive, Valve	1
▲	9 34185	(000000-) Valve	1
▲	10 34178	(000000-) Spring	3
▲	11 37723	(000000-) Plate	1
▲	12 74134	(000000-) Housing Assy	1
▲	13 37766	(000000-) Ball	2
▲	14 74137	(000000-) Plug Assembly	2
▲	15 34179	(000000-) Spring	2
▲	16 74135	(000000-) Screw, Cap	2
▲	17 74136	(000000-) Screw, Cap	2
▲	18 45622	(000000-) Nut	1
▲	19 45623	(000000-) Key	1
▲▽	20 22645	(000000-) Seal Kit, Shaft	1
▲▲	21 22646	(000000-) Seal Kit, Motor	1
▲▲	74220	(000000-) Seal Kit, Rear	1
▲	22 74098	(000000-) Plug, O-Ring	1
	23 74246	(000000-) Repair Info, Motor	1

Fig. 15 - Hydraulic Motor Breakdown, 373464

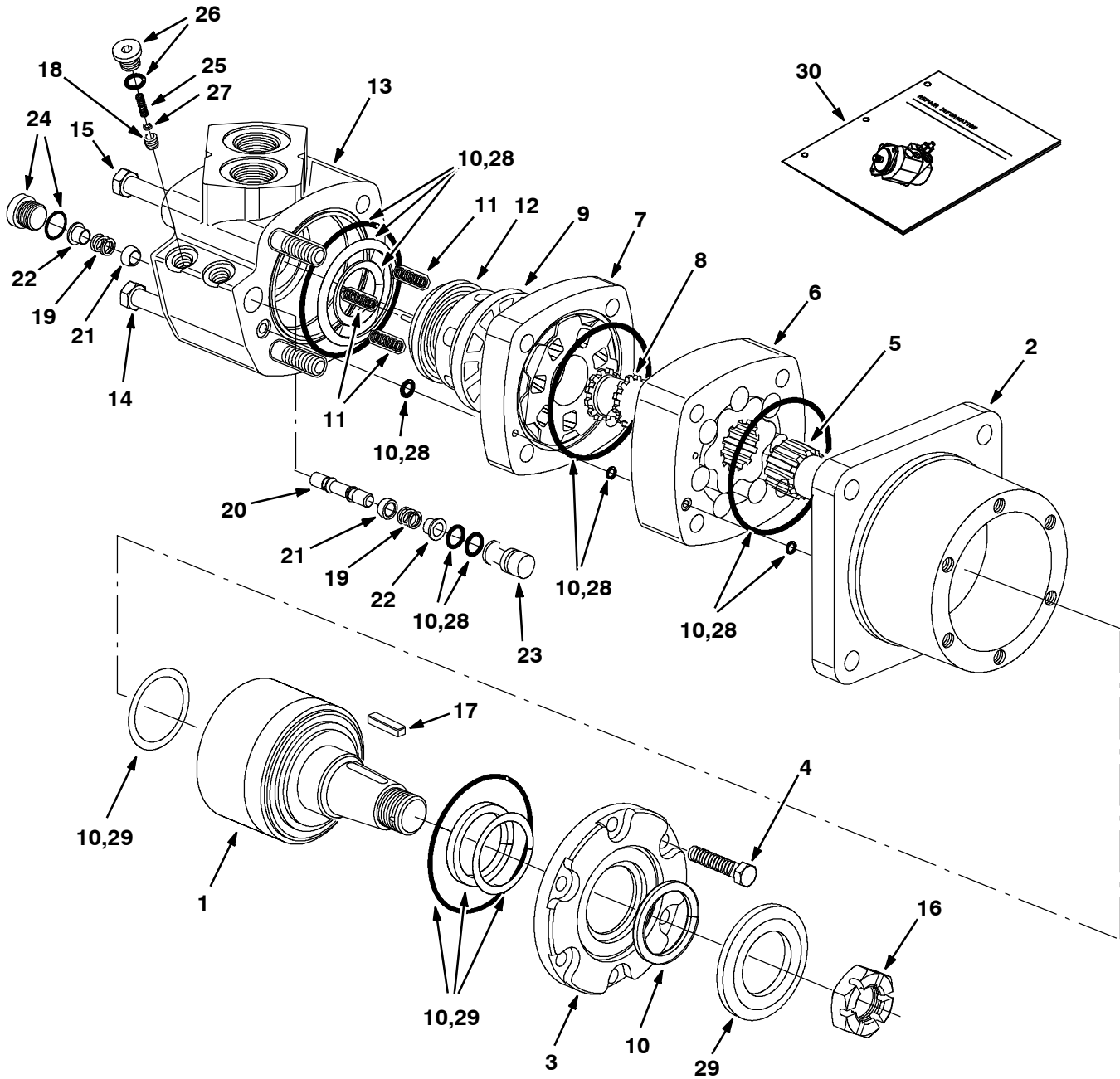
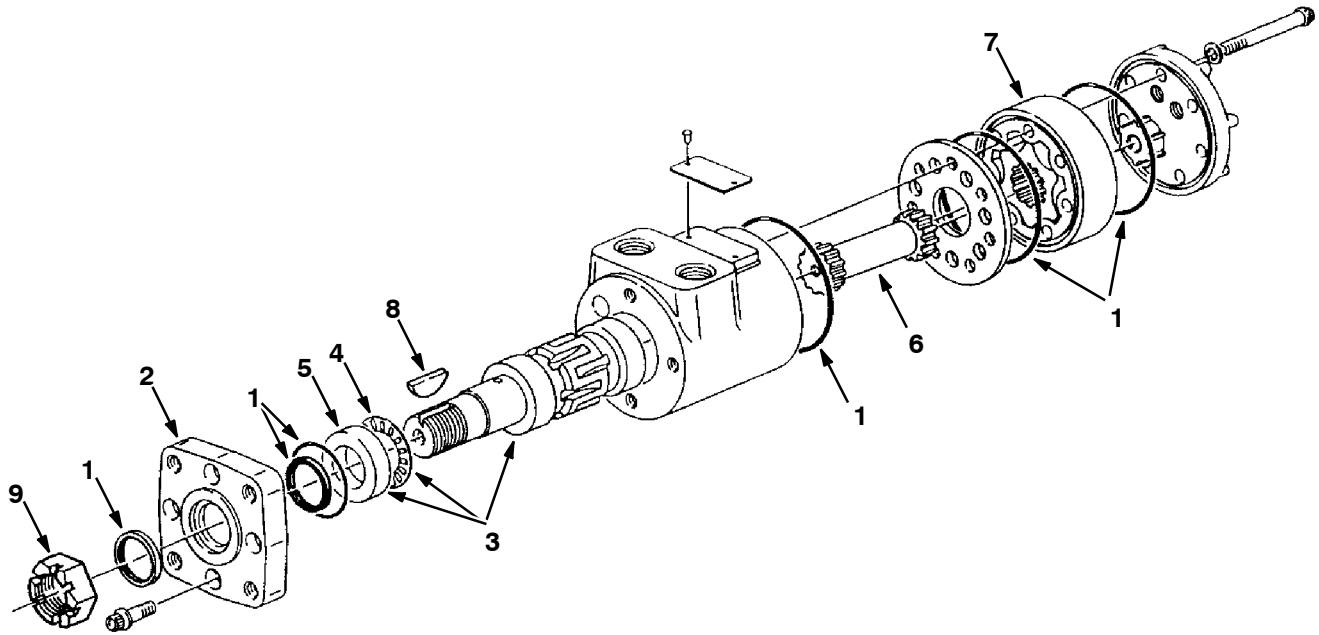


Fig. 15 - Hydraulic Motor Breakdown, 373464

Ref.	Part No.	Serial Number	Description	Qty.
▽	373464	(000000-) Motor, Hyd, Gear, [In] 29.9 B 3000	1
▲	1 22629	(000000-) Shaft, Motor, Hyd	1
▲	2 22630	(000000-) Housing, Bearing, Motor, Hyd	1
▲	3 22636	(000000-) Retainer, Front, Motor, Hyd	1
▲	4 37943	(000000-) Bolt, Motor, Hyd	6
▲	5 34181	(000000-) Drive, Motor, Hyd	1
▲	6 74214	(000000-) Geroler Set, Motor, Hyd	1
▲	7 34184	(000000-) Plate, Valve, Motor, Hyd	1
▲	8 34183	(000000-) Valve, Drive, Motor, Hyd	1
▲	9 373541	(000000-) Valve	1
▲	10 22646	(000000-) Kit, Seal, Motor, Hyd	1
▲	11 34178	(000000-) Spring, Motor, Hyd	3
▲	12 37723	(000000-) Plate, Motor, Hyd	1
▲	13 373549	(000000-) Housing, Valve	1
▲	14 74135	(000000-) Screw, Cap, Motor, Hyd	2
▲	15 74136	(000000-) Screw, Cap, Motor, Hyd	2
▲	16 45622	(000000-) Nut, Motor, Hyd	1
▲	17 45623	(000000-) Key, Motor, Hyd	1
▲	18 373542	(000000-) Poppet	1
▲	19 373291	(000000-) Spring	2
▲	20 373543	(000000-) Piston	1
▲	21 373226	(000000-) Poppet, Pump, Hyd, Gear	2
▲	22 373236	(000000-) Sleeve, Dashpo, Pump, Hyd, Gear	2
▲	23 373544	(000000-) Plug	1
▲	24 373545	(000000-) Plug Assy	1
▲	25 373546	(000000-) Spring	1
▲	26 373547	(000000-) Plug Assy	1
▲	27 373548	(000000-) Shim	1
▲	28 74220	(000000-) Kit, Seal, Hyd, Motor	1
▲	29 22645	(000000-) Kit, Seal, Motor, Hyd	1
	30 74246	(000000-) Repair Info,Mtr Cl	1

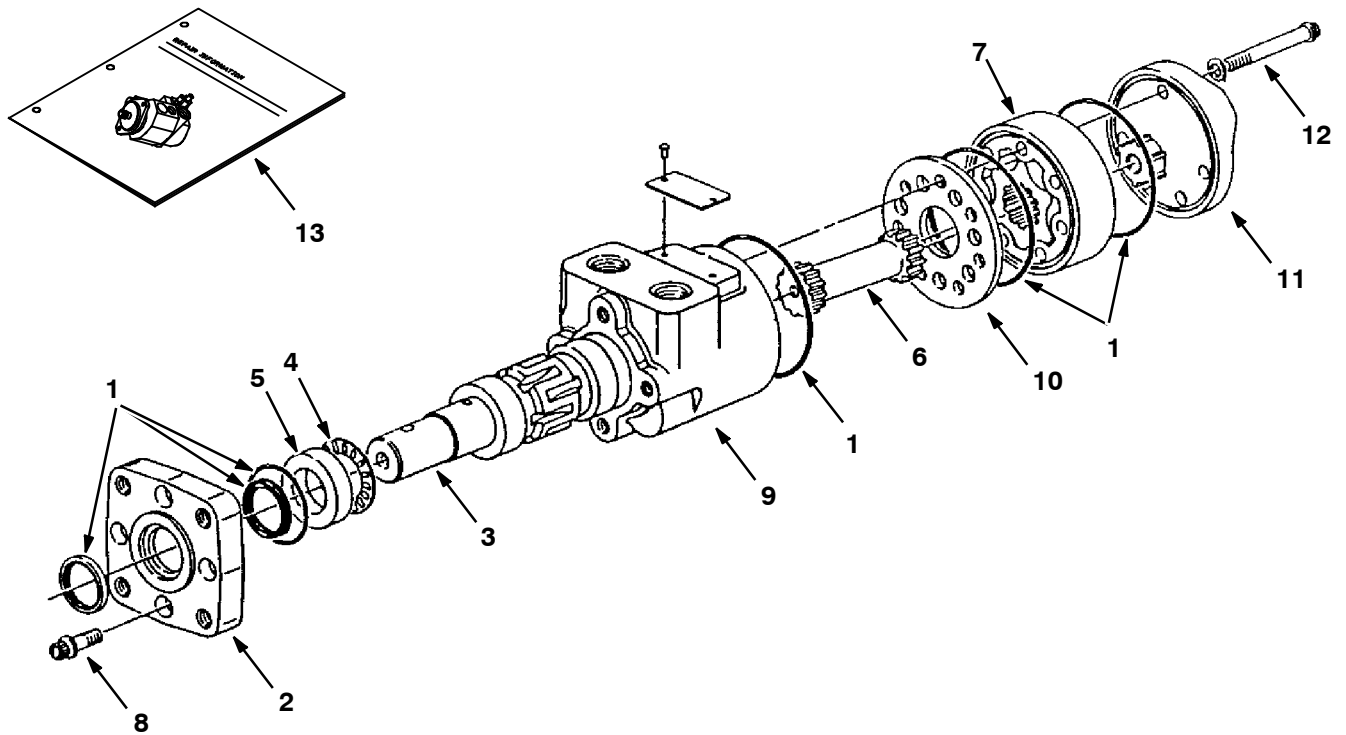
Fig. 16 - Hydraulic Motor Breakdown, 53434



05348 - ALL

Ref.	Part No.	Serial Number	Description	Qty.	
▽	53434	(000000-) Motor, Hydraulic	1	
▲	1	61490	(000000-) Seal Kit	1
▲	2	31354	(000000-) Flange, Mounting	1
▲▽	3	58278	(000000-) Output Shaft Assembly	1
▲▲	4	45628	(000000-) Bearing	1
▲▲	5	16695	(000000-) Race, Thrust	1
▲	6	34176	(000000-) Drive	1
▲	7	58270	(000000-) Gerotor Set	1
▲	8	00500-15	(000000-) Key, Woodruff	1
▲	9	39527	(000000-) Nut, Slotted Hex	1

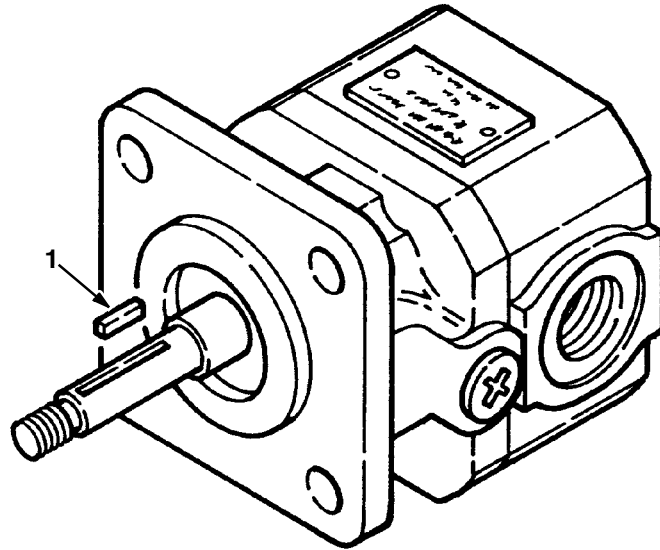
Fig. 17 - Hydraulic Motor Breakdown, 79781



07716,09670 - ALL

Ref.	Part No.	Serial Number	Description	Qty.
▽	79781	(000000-) Motor, Hydraulic	1
▲	1 61490	(000000-) Seal Kit	1
▲	2 79782	(000000-) Flange, Mounting	1
▲	3 16694	(000000-) Shaft	1
▲	4 45628	(000000-) Bearing Thrust	1
▲	5 16695	(000000-) Race, Thrust	1
▲	6 31380	(000000-) Drive	1
▲	7 31385	(000000-) Gerotor Set	1
▲	8 37555	(000000-) Screw	4
▲	9 74100	(000000-) Housing	1
▲	10 74094	(000000-) Spacer Plate	1
▲	11 74101	(000000-) End Cap	1
▲	12 65232	(000000-) Cap Screw	5
▲	13 74250	(000000-) Repair Info, Motor	1

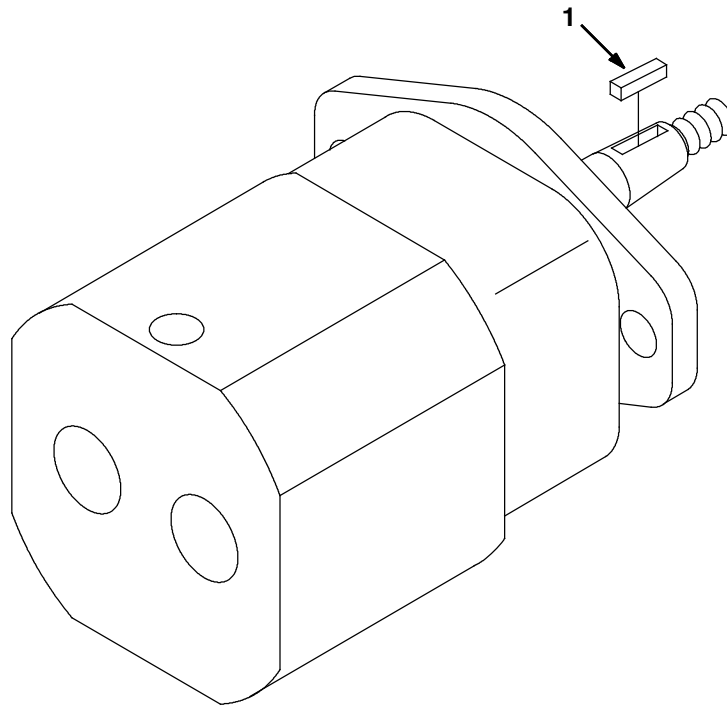
Fig. 18 - Hydraulic Motor Breakdown, 19117



05190 - ALL

	Ref.	Part No.	Serial Number	Description	Qty.
▽		19117	(000000-)	Motor, Hydraulic	1
▲	1	00954	(000000-)	Key	1
▲		74233	(000000-)	Seal Kit	1

Fig. 19 - Hydraulic Motor Breakdown, 63542



10556 - ALL

	Ref.	Part No.	Serial Number	Description	Qty.
▽		63542	(000000-) Motor, Hydraulic	1
▲	1	00960	(000000-) Key, Square 0.12 0.12 00.50 LG	1
▲		74233	(000000-) Seal Kit, Hyd Mtr Gear	1

Fig. 20 - Hydraulic Steering Valve Breakdown, 65242

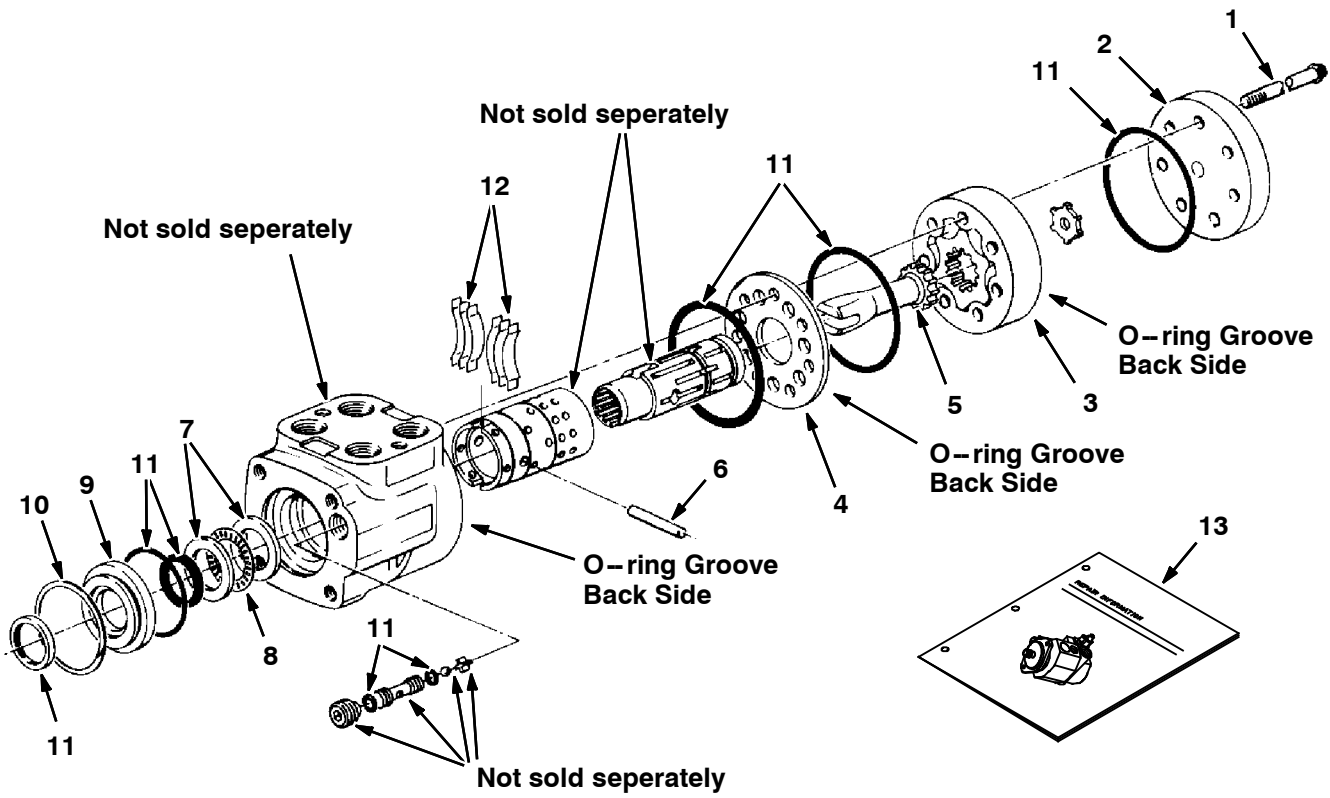
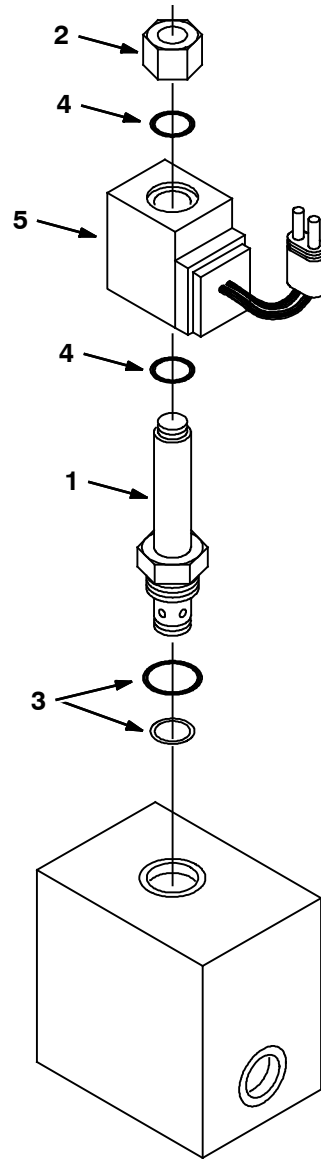


Fig. 20 - Hydraulic Steering Valve Breakdown, 65242

	Ref.	Part No.	Serial Number	Description	Qty.
▽		65242	(000000-) Steer Control Hyd#4 04.5 1300	1
▲	1	74174	(000000-) Cap, Screw	6
▲	2	74194	(000000-) Cap, End	1
▲	3	65235	(000000-) Gerotor Set Cl	1
▲	4	74182	(000000-) Plate, Wear	1
▲	5	58596	(000000-) Drive	1
▲	6	74218	(000000-) Pin	1
▲	7	74109	(000000-) Race, Bearing	2
▲	8	74110	(000000-) Bearing, Needle	1
▲	9	74112	(000000-) Bushing, Seal	1
▲	10	74111	(000000-) Ring, Retainer	1
▲	11	74190	(000000-) Seal Kit, Scu	1
▲	12	74195	(000000-) Spring Kit	1
	13	74251	(000000-) Repair Info,Scu Cl	1

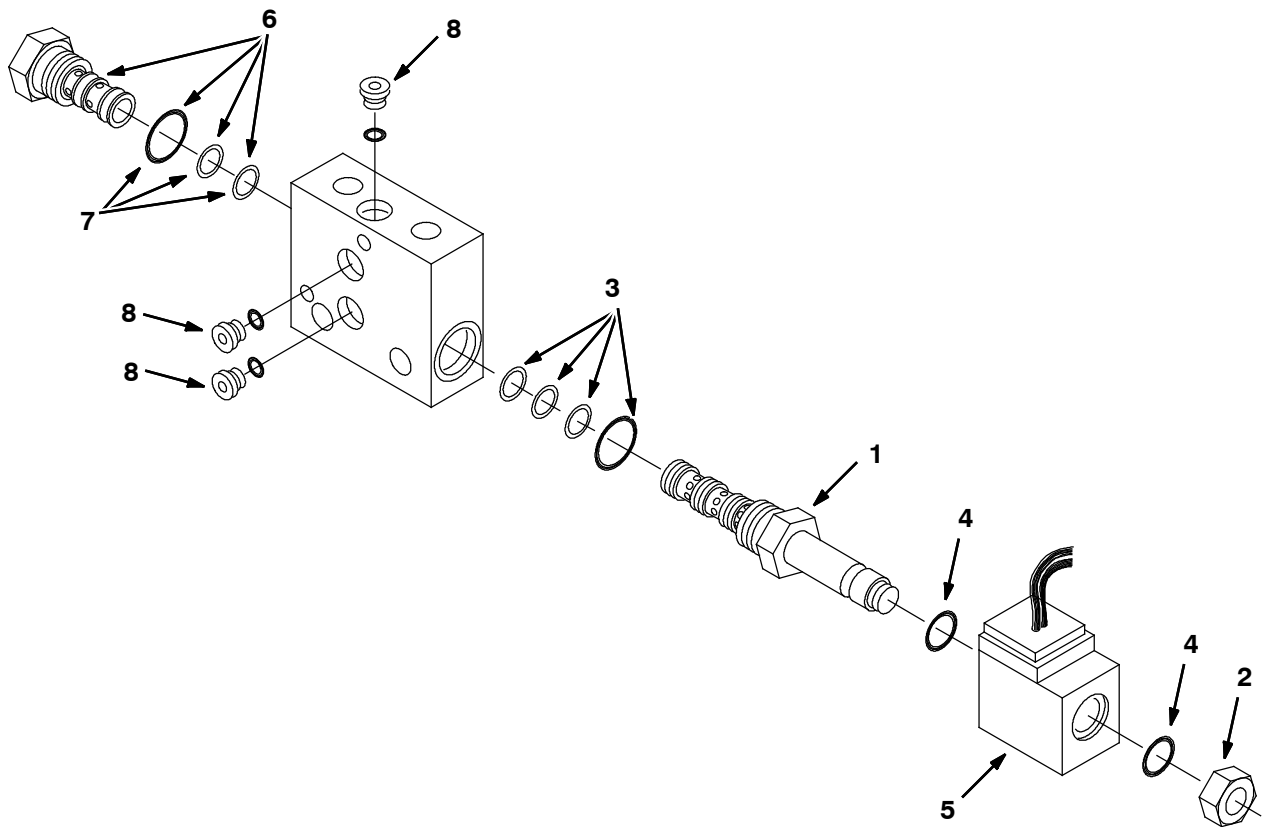
Fig. 21 - Hydraulic Solenoid Valve Breakdown, 84015



07639 - ALL

Ref.	Part No.	Serial Number	Description	Qty.
▽	84015	(000000-) Valve - Hyd., Solenoid	1
▲▽	1 79739	(000000-) Valve Stem, N.D.	1
▲▲	2 79731	(000000-) Nut, Cart., LNG.	1
▲▲	3 79711	(000000-) Seal Kit, Cart.	1
▲▲	4 79740	(000000-) Seal Kit, Coil	1
▲	5 21917	(000000-) Coil, 12V W/Var	1

Fig. 22 - Hydraulic Solenoid Valve Breakdown, 84016



10499 - ALL

Ref.	Part No.	Serial Number	Description	Qty.
▽	84016	(000000-) Valve, Hyd Control Solenoid	1
▲▽	1 79719	(000000-) Valve Stem 4W2P	1
▲▲	2 79728	(000000-) Nut, Cart., Sht	1
▲▲	3 79711	(000000-) Seal Kit, Cart	1
▲▲	4 79740	(000000-) Seal Kit, Coil	1
▲	5 21917	(000000-) Coil, 12V W/Var	1
▲▽	6 74145	(000000-) Cart, Pilot Cntr	1
▲▲	7 79711	(000000-) Seal Kit, Cart	1
▲	8 13902	(000000-) Plug, #2 O-Ring	3

Fig. 23 - Hydraulic Valve Breakdown, 375563

CONTROL VALVE	
Spool #1	Hopper Lift
Spool #2	Hopper Dump
Spool #3	Hopper Door

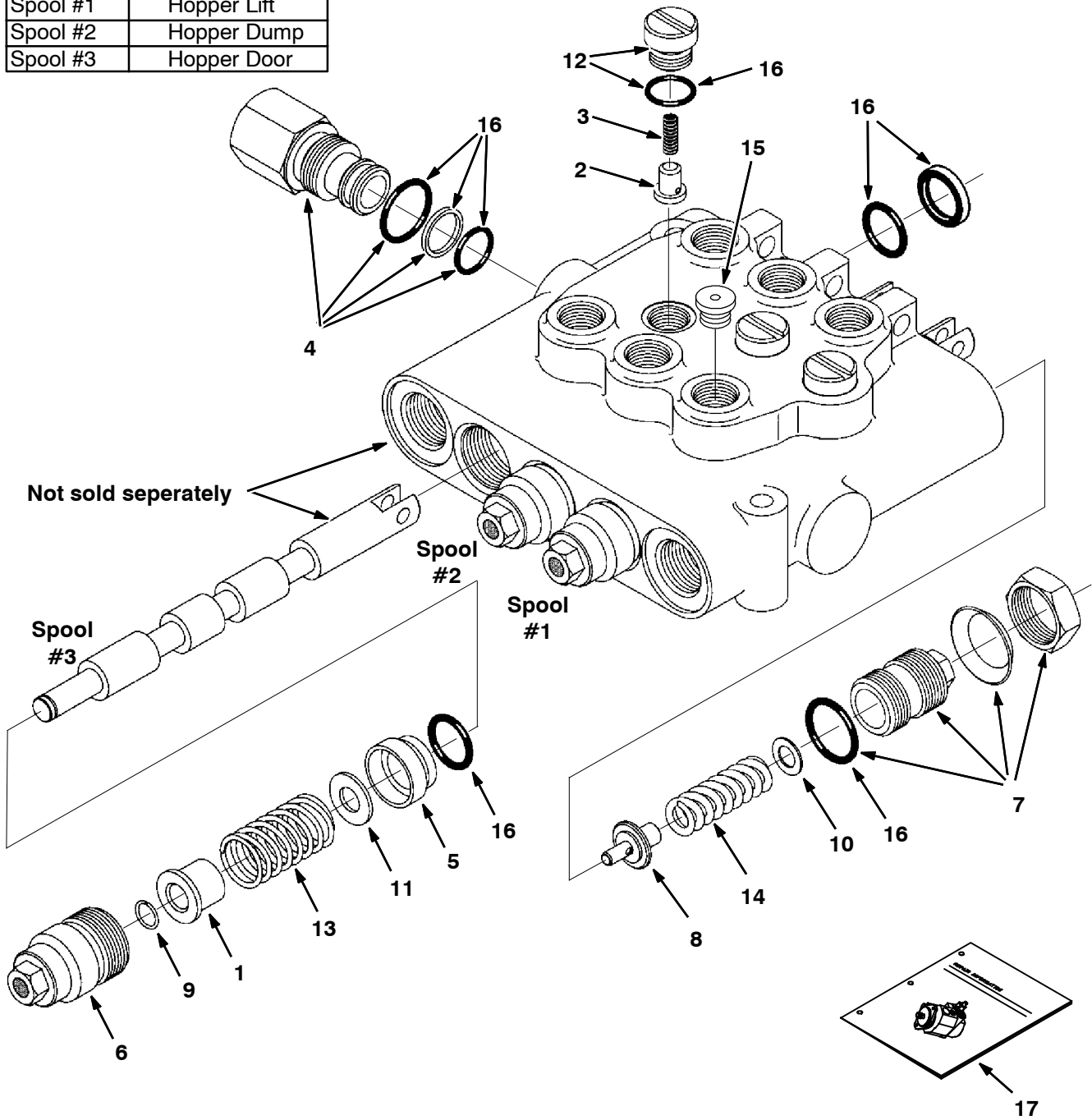


Fig. 23 - Hydraulic Valve Breakdown, 375563

	Ref.	Part No.	Serial Number	Description	Qty.
▽		375563	(000000-) Valve, Hyd Control Man	1
▲	1	79822	(000000-) Spacer En	3
▲	2	79786	(000000-) Plunger En	3
▲	3	79787	(000000-) Spring En	3
▲	4	79823	(000000-) Plug Assy,Byd En	1
▲	5	79788	(000000-) Bushing En	3
▲	6	79789	(000000-) Cap Assembly En	3
▲	7	79790	(000000-) Plug Assembly En	1
▲	8	79791	(000000-) Poppet En	1
▲	9	79792	(000000-) Retaining Rng En	3
▲	10	79793	(000000-) Shim .035 Thk En	1
▲	10	79798	(000000-) Shim .015 Thk En	1
▲	10	79799	(000000-) Shim .010 Thk En	1
▲	11	79794	(000000-) Washer En	3
▲	12	79795	(000000-) Plug & O-Ring En	3
▲	13	79824	(000000-) Spring En	3
▲	14	79797	(000000-) Spring En	1
▲	15	13904	(000000-) Plug Gage #6	1
▲	16	79812	(000000-) Seal Kit, Vlv En	1
▲	17	79820	(000000-) Instr. Valve Repair Info	1

Fig. 24 - Hydraulic Solenoid Valve Breakdown, 84014

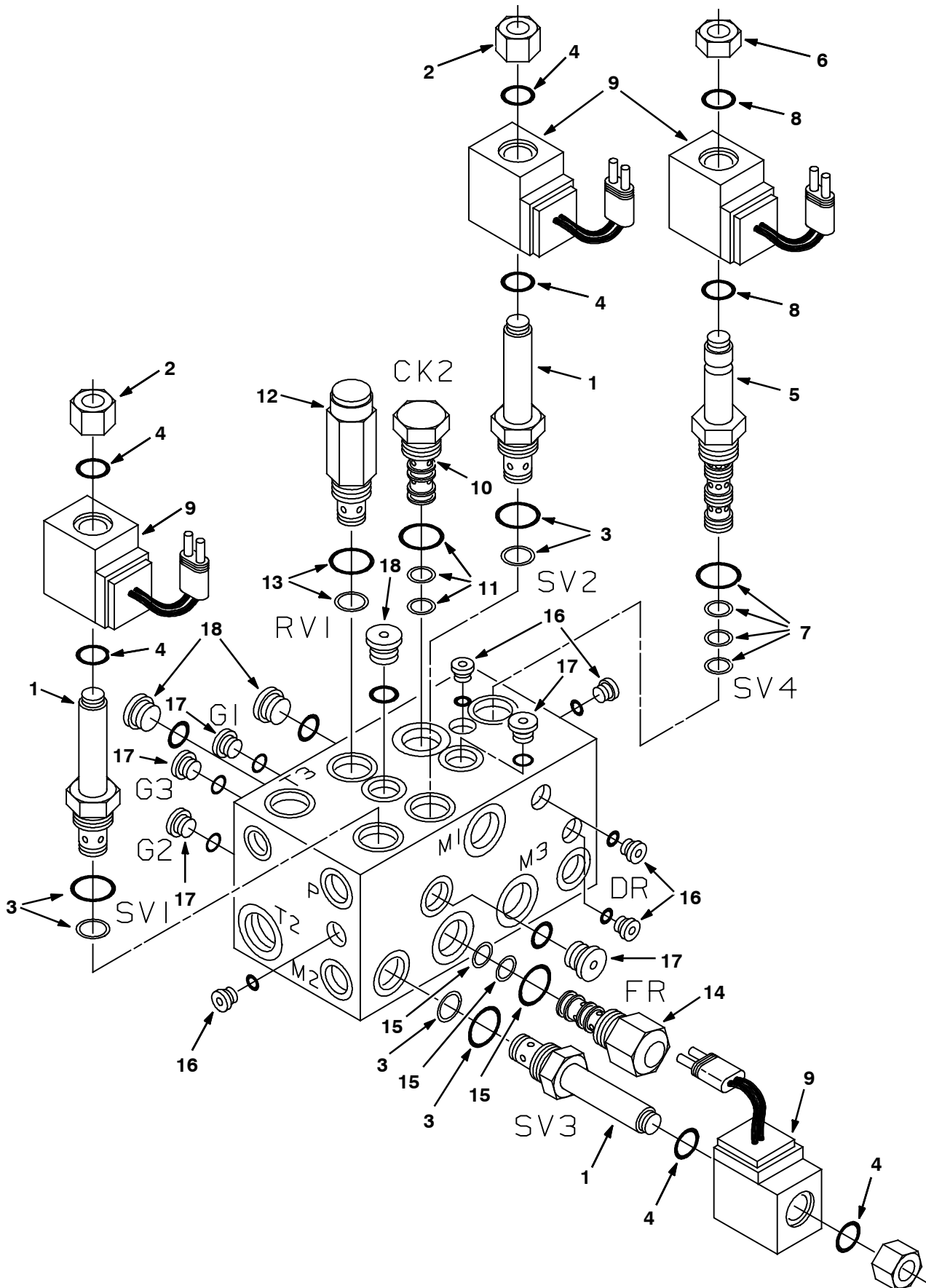
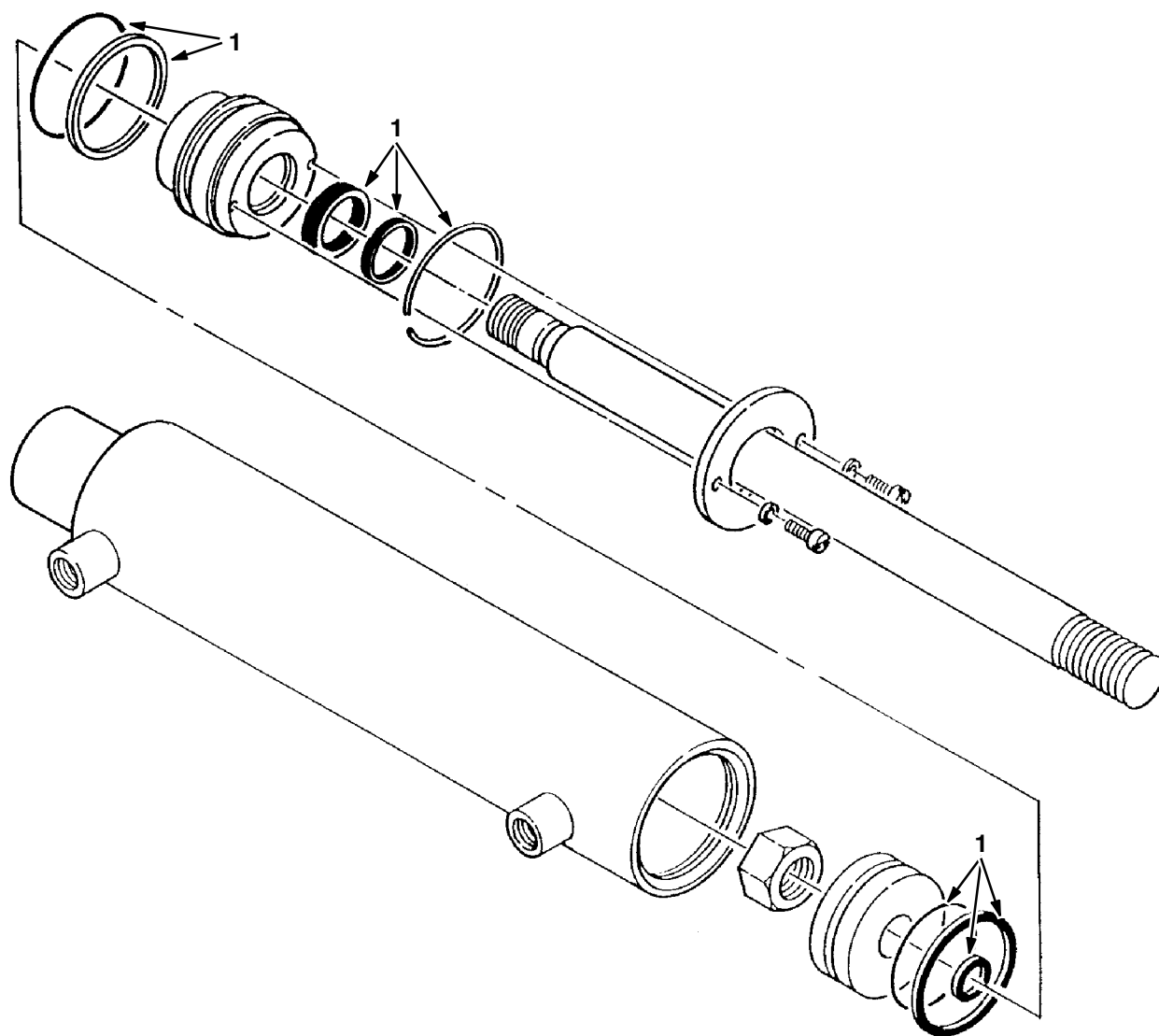


Fig. 24 - Hydraulic Solenoid Valve Breakdown, 84014

	Ref.	Part No.	Serial Number	Description	Qty.
▽		84014	(000000-) Valve, Hyd Control Solenoid	1
▲▽	1	79739	(000000-) Valve Stem N.O. CP	3
▲▲	2	79731	(000000-) Nut, Cart., LNG CP	1
▲▲	3	79711	(000000-) Seal Kit, Cart CP	1
▲▲	4	79740	(000000-) Seal Kit, Coil CP	1
▲▽	5	79719	(000000-) Valve Stem 4W2P CP	1
▲▲	6	79728	(000000-) Nut, Cart., SHT CP	1
▲▲	7	79711	(000000-) Seal Kit, Cart CP	1
▲▲	8	79740	(000000-) Seal Kit, Coil CP	1
▲	9	21917	(000000-) Coil 12V w/Var CP	4
▲▽	10	74146	(000000-) Cart, Check Valve CP	1
▲▲	11	79711	(000000-) Seal Kit, Cart CP	1
▲▽	12	65240	(000000-) Cart, PSI CN CP	1
▲▲	13	79711	(000000-) Seal Kit, Cart CP	1
▲▽	14	74268	(000000-) Cart Flow Control CP	1
▲▲	15	79711	(000000-) Seal Kit, Cart CP	1
▲	16	13902	(000000-) Plug #2	6
▲	17	74098	(000000-) Plug Gage #4	5
▲	18	13904	(000000-) Plug Gage #6	3

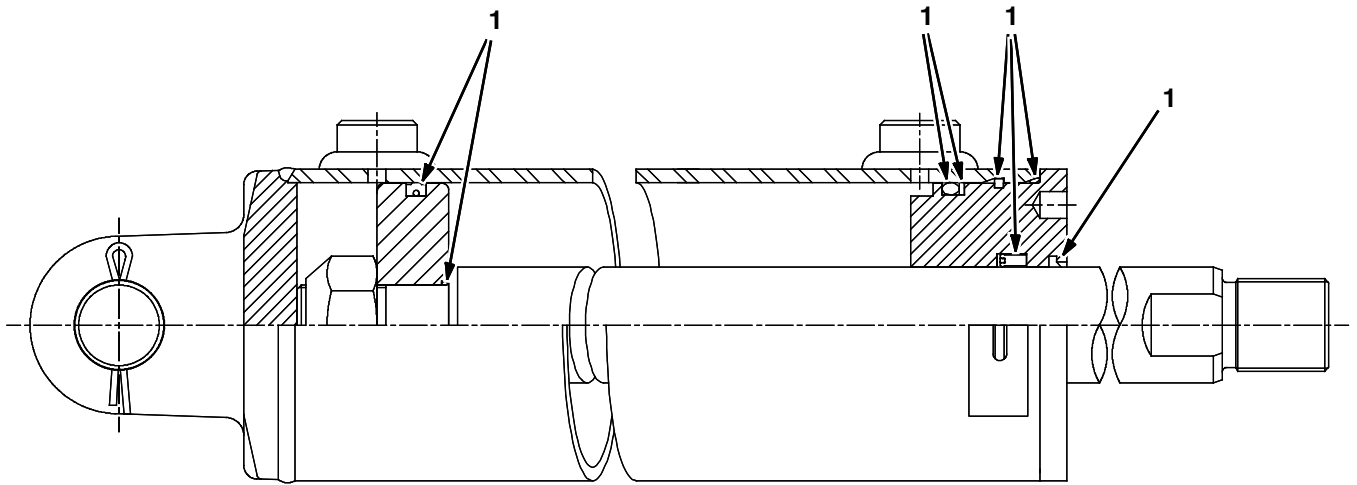
Fig. 25 - Hydraulic Cylinder Breakdown, 53601



07494 - ALL

	Ref.	Part No.	Serial Number	Description	Qty.
▽		53601	(000000-)	Cylinder, Hyd, 2.0b,15.0l, Rep.By1028492	1
▲	1	04483	(000000-)	Seal Kit	1

Fig. 26 - Hydraulic Cylinder Breakdown, 1026719



354486 - ALL

	Ref.	Part No.	Serial Number	Description	Qty.
▽		1026719	(000000-) Cylinder, Hyd, 4.0b 29.1l 14.50strk 2500	1
▲	1	9001702	(000000-) Seal Kit, Cyl, Hyd	1

Fig. 27 - Cab Assembly

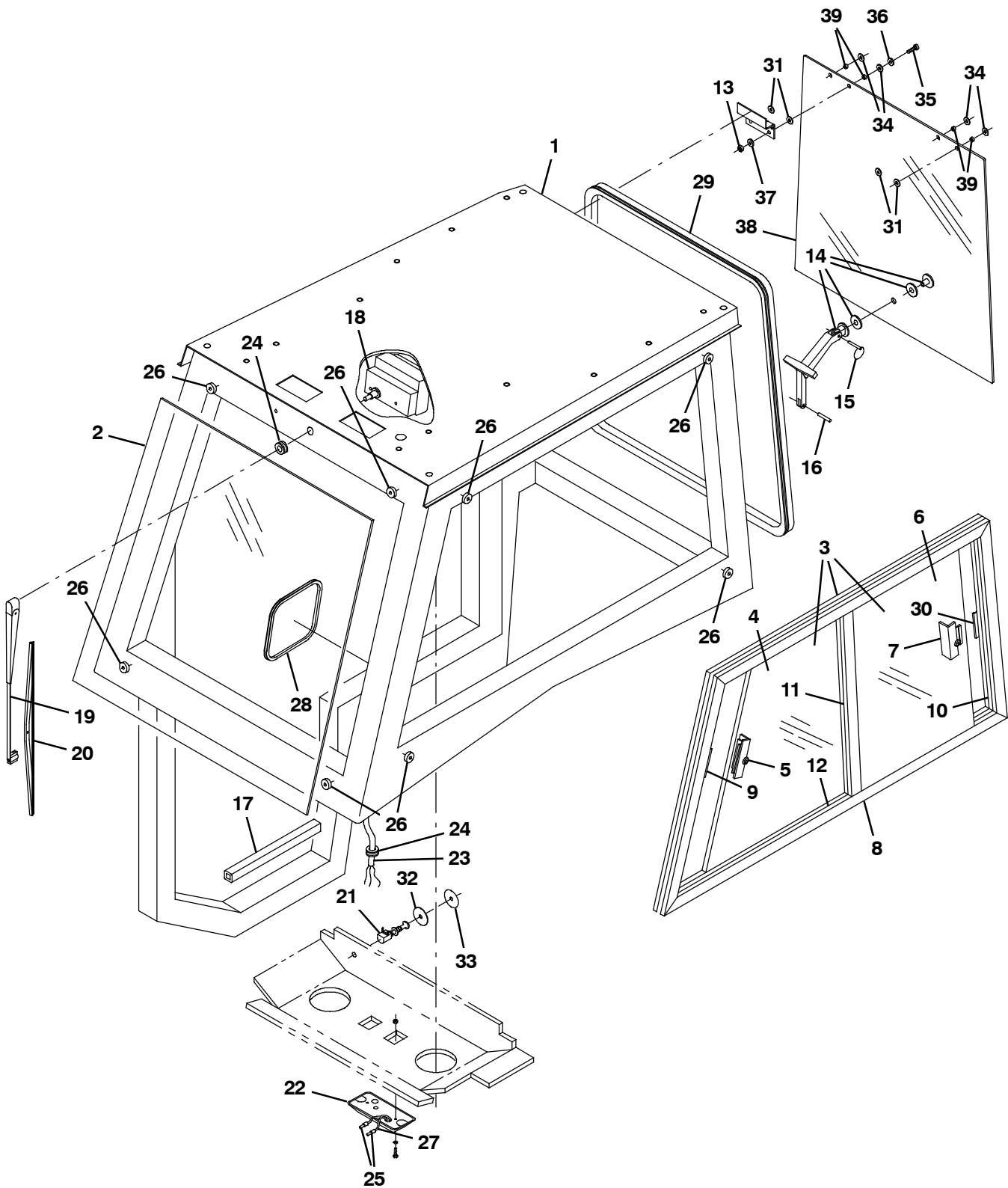


Fig. 27 - Cab Assembly

NOTE: The Cab Assembly, TENNANT Part Number 9007651 includes Fig. 27, Fig. 28, Fig. 29, and Fig. 30

Ref.	Part No.	Serial Number	Description	Qty.	
1	1057434	(000000-) Cab Wldt, 800	1	
2	1059997	(000000-) Pane, Glass, Windshield	1	
▽	3	1062707	(000000-) Pane Assy, Cab, Lh Side	1
▲▽	4	1064896	(000000-) Pane, Glass, Cab	1
▲▲	5	1068804	(000000-) Latch Assy, Wndw [800 Cab]	1
▲▽	6	1064895	(000000-) Pane, Glass, Cab	1
▲▲	7	1068804	(000000-) Latch Assy, Wndw [800 Cab]	1
▲▽	8	21309	(000000-) Frame, Pane, Cab, Side	1
▲▲	9	374765	(000000-) Keeper, Latch, Pane	1
▲	10	1069298	(000000-) Seal Stop, Wndw	1
▲	11	1069309	(000000-) Seal, Wndw [Center Wipe]	1
▲	12	1069305	(000000-) Channel, Seal, Wndw	1
	13	08712	(000000-) Nut, Hex, Lock, M6 X 1.00, NI, Ss	4
	14	1058259	(000000-) Latch Kit, Wndw, Cab, Rear	1
	15	1062119	(000000-) Ring, Wndw, Cab, Rear	1
	16	1065921	(000000-) Pin, Roll, .187 Dia. X .56	1
	17	1061492	(000000-) Seal, Door, Rbr, 14" Lg	1
	18	311303	(000000-) Motor, Ele, Wiper, 12vdc	1
	19	1062083	(000000-) Arm, Wiper, Windshield	1
	20	1062084	(000000-) Blade, Wiper, Windshield	1
	21	1062092	(000000-) Switch, Motor, Wiper, 12v	1
▽	22	76996	(000000-) Light, Dome 12V	1
▲		374759	(000000-) Lamp	1
	23	380577	(000000-) Harness, Cab (See Fig. 30)	1
	24	10632-14	(000000-) Grommet, Rbr, 1.00id, F/1.4h, .12 Matl	2
	25	50474	(000000-) Terminal, Qm, .25 16-14ga, Blu, F-Ins	2
	26	64757	(000000-) Bumper, Rbr, Adh, 0.50d 0.14th	8
	27	77812	(000000-) Wire, Dome Light	2
	28	380692	(000000-) Molding, Trim (Gasoline only)	1
	29	1030593	(000000-) Seal, Afmkt, Bulb, 90, 0.75d F/11ga 08ft	1
	30	374294	(000000-) Latch, Keeper, Pane [J-dak]	1
	31	63416	(000000-) Washer, Flat, 0.31b 0.88d .12, Rbr	4
	32	1066313	(000000-) Plate, Sppt	1
	33	1066314	(000000-) Label, Opertnl, Switch, On-off	1
	34	1066218	(000000-) Washer, Flat, .28b 0.75d 1.80, Ne	4
	35	1065954	(000000-) Screw, Pan, Phl, M6 X 1.0 X 20, Blk	4
	36	397779	(000000-) Washer, Flat, 0.28b 1.00d .06, Stl, Blk	4
	37	32483	(000000-) Washer, Flat, 0.25, Sae	4
	38	1060000	(000000-) Glass, Pane, Windshield,800 Cab	1
	39	1061468	(000000-) Spacer, Nyl	4

Fig. 28 - Cab Door Assembly

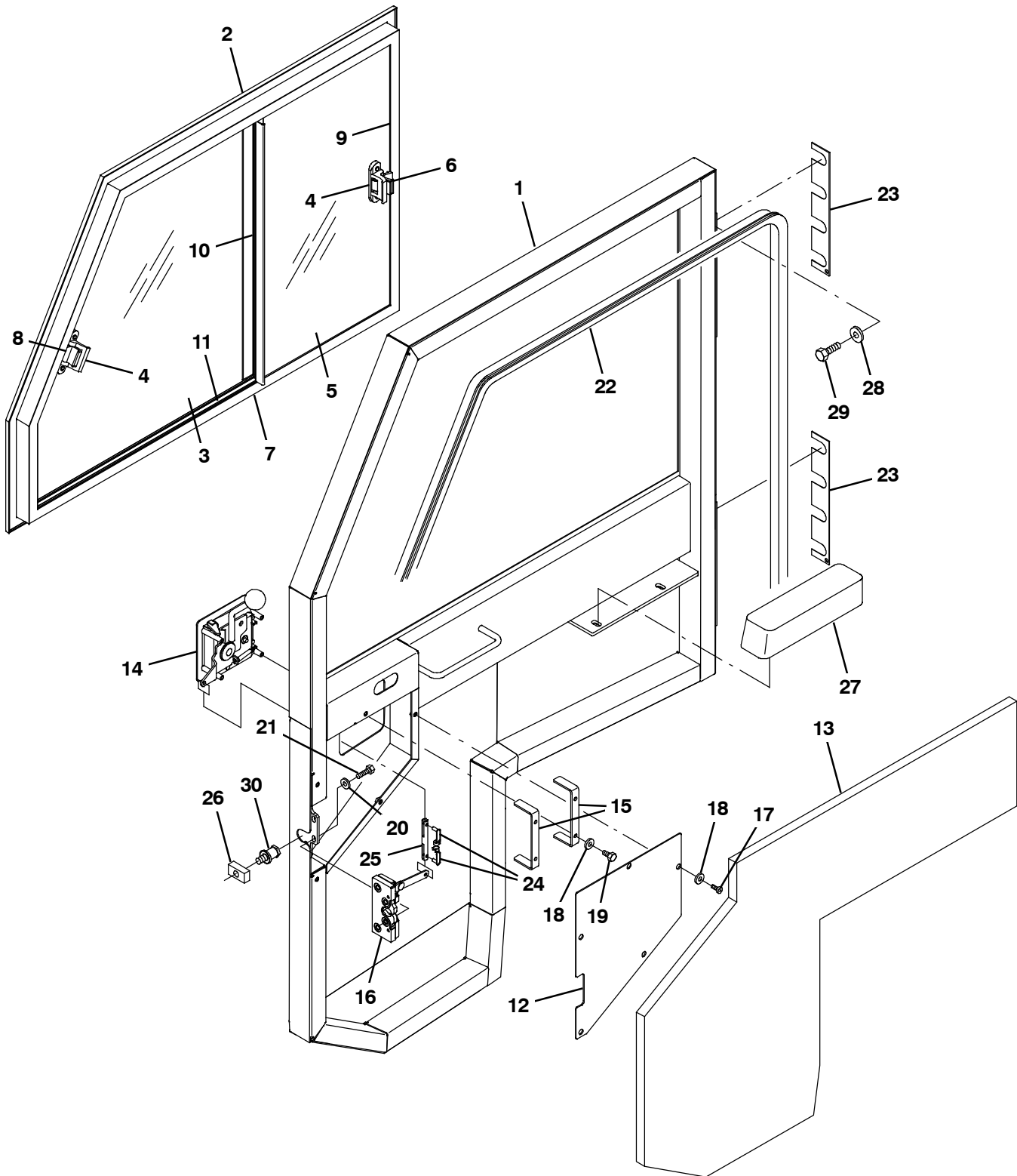


Fig. 28 - Cab Door Assembly

NOTE: The Cab Assembly, TENNANT Part Number 9007651 includes Fig. 27, Fig. 28, Fig. 29, and Fig. 30

Ref.	Part No.	Serial Number	Description	Qty.
▽	9009006	(000000-) Door Assy, Cab, Replmt [800]	1
▲	1 1057885	(000000-) Door Wldt, Cab	1
▲▽	2 1062708	(000000-) Pane Assy, Door, Cab, Rh Side	1
▲▲	3 1064893	(000000-) Pane, Glass, Door	1
▲▲	4 1068804	(000000-) Latch Assy, Wndw [800 Cab]	2
▲▲	5 1064894	(000000-) Pane, Glass, Door	1
▲▲	6 374294	(000000-) Latch, Keeper, Pane [J-dak]	1
▲▲	7 21313	(000000-) Frame, Pane, Door, Side	1
▲▲	8 374765	(000000-) Keeper, Latch, Pane	1
▲▲	9 1069298	(000000-) Seal Stop, Wndw	1
▲▲	10 1069309	(000000-) Seal, Wndw [Center Wipe]	2
▲▲	11 1069305	(000000-) Channel, Seal, Wndw	1
▲	12 1058309	(000000-) Cover, Latch Assy, Door	1
▲	13 1065909	(000000-) Insulation, Acstc, Door, Side	1
▲	14 1058254	(000000-) Latch Assy, Door	1
▲	21150	(000000-) Key Set	1
▲	15 1061447	(000000-) Bracket, Latch, Sppt	2
▲	16 1058256	(000000-) Lock Assy, Door	1
▲	17 06933	(000000-) Screw, Pan, Phl, M5 X 0.80 X 16, 4.8	5
▲	18 19066	(000000-) Washer, Flat, 0.25b 0.56d .05, Pl, 10	9
▲	19 42011	(000000-) Screw, Hex, 10-24 X 0.50, Ss	4
▲	20 32483	(000000-) Washer, Flat, 0.25, Sae	3
▲	21 25046	(000000-) Screw, Hex, .25-20 X 1.00, G5	3
▲	22 1030601	(000000-) Seal, Afmkt, Bulb, 90, 0.75d F/11ga 20ft	1
▲	23 1062143	(000000-) Plate, Shim	2
▲	24 1058258	(000000-) Clip, Retainer	2
▲	25 1058257	(000000-) Link, Connecting	1
	26 1061655	(000000-) Plate, Thrd	1
	27 311336	(000000-) Armrest, Black	1
	28 32492	(000000-) Washer, Flat, 0.38, Std	8
	29 06961	(000000-) Screw, Hex, M10 X 1.5	8
	30 58490	(000000-) Pin, Latch	1

Fig. 29 - Cab Insulation Group

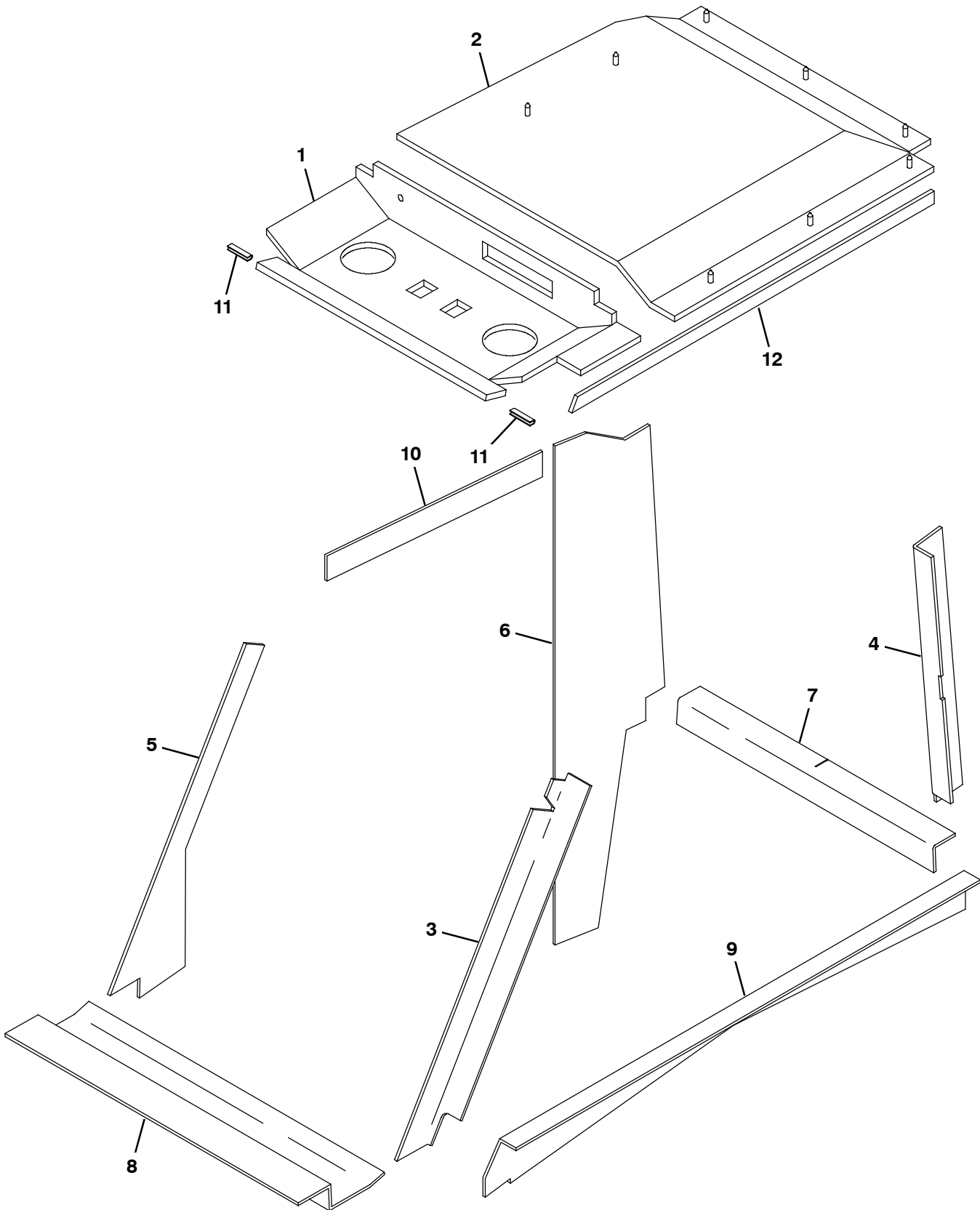
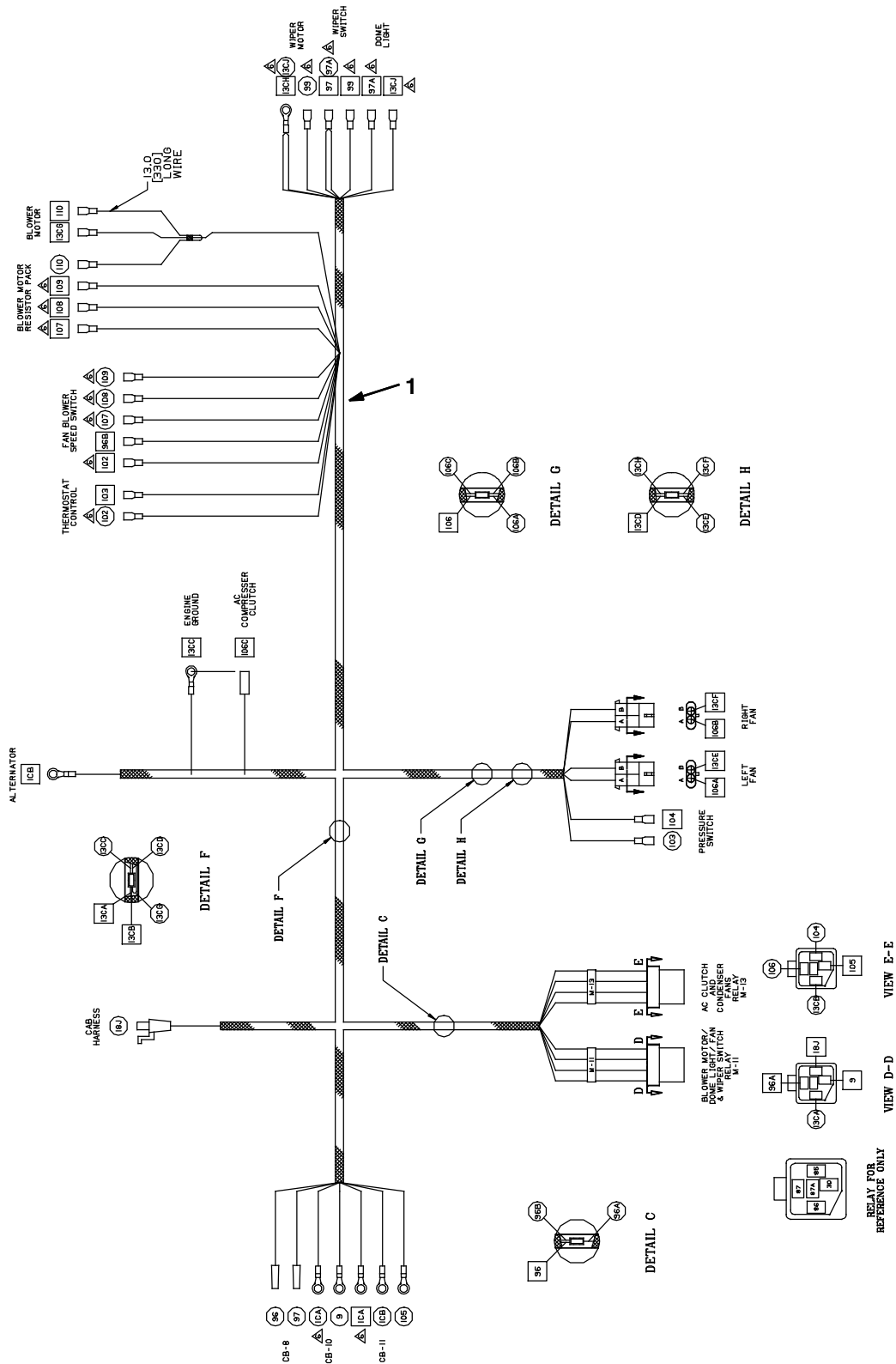


Fig. 29 - Cab Insulation Group

NOTE: The Cab Assembly, TENNANT Part Number 9007651 includes Fig. 27, Fig. 28, Fig. 29, and Fig. 30

Ref.	Part No.	Serial Number	Description	Qty.
1	77800	(000000-) Insulation, Acstc, Cab Front	1
2	77801	(000000-) Insulation, Acstc, Cab Rear	1
3	77802	(000000-) Insulation, Acstc, Cab, Leg, Front	1
4	77803	(000000-) Insulation, Acstc, Cab, Leg, Rear	1
5	77804	(000000-) Insulation, Acstc, Cab, Leg, Front	1
6	77805	(000000-) Insulation, Acstc, Cab, Leg, Rear	1
7	77806	(000000-) Insulation, Acstc, Cab, Proj, Rear	1
8	77807	(000000-) Insulation, Acstc, Cab, Proj, Front	1
9	77808	(000000-) Insulation, Acstc, Cab, Proj, Side	1
10	77809	(000000-) Insulation, Acstc, Cab, Proj, Upper	1
11	384156	(000000-) Molding, Trim, Pvc, .18-.31 01.5l	2
12	1070055	(000000-) Insulation, Acstc, Cab, Proj, Ls	1

Fig. 30 - Cab Wire Harness Group

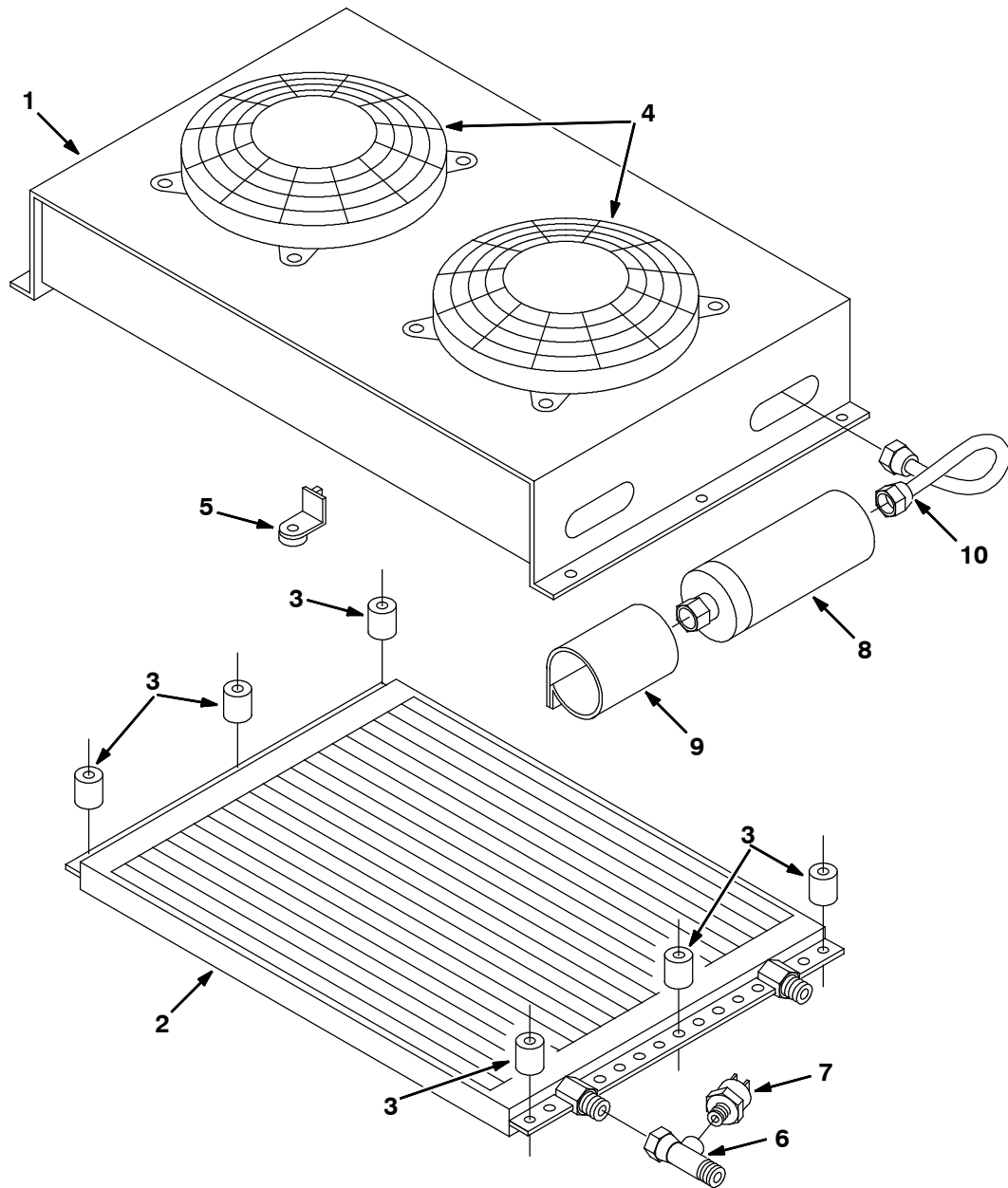


NOTE: The Cab Assembly, TENNANT Part Number 9007651 includes Fig. 27, Fig. 28, Fig. 29, and Fig. 30

351143 - ALL

Ref.	Part No.	Serial Number	Description	Qty.
1	380577	(000000-)	Harness, Cab, 800/810	1

Fig. 31 - AC Condenser Box Breakdown, 380625



350830 - ALL

Ref.	Part No.	Serial Number	Description	Qty.
▽	380625	(000000-) Condenser Assy, A/C	1
▲	1 380666	(000000-) Housing, Condenser	1
▲	2 380667	(000000-) Coil, Condenser	1
▲	3 380668	(000000-) Spacer, Condenser	6
▲	4 380669	(000000-) Fan, Condenser	2
▲	5 380670	(000000-) Foot, Fan	8
▲	6 380671	(000000-) Ftg, Shrader	1
▲	7 393349	(000000-) Switch, A/C [Binary]	1
▲	8 380627	(000000-) Dryer, Ac	1
▲	9 380628	(000000-) Bracket,A/C Dryer	1
▲	10 380626	(000000-) Tube Asy,Cond/Dry	1

Fig. 32 - AC and Heater Box Breakdown, 380613

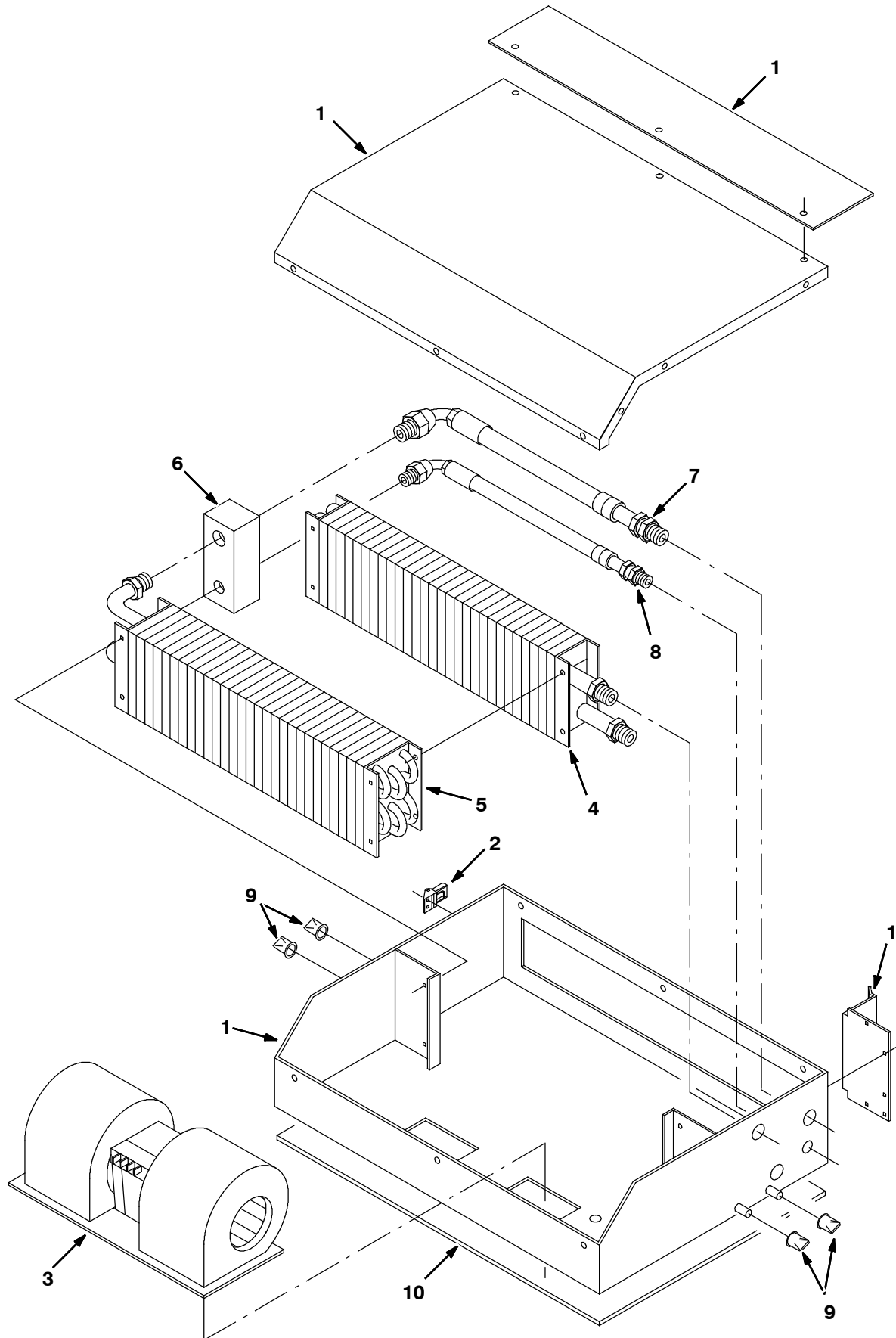


Fig. 32 - AC and Heater Box Breakdown, 380613

	Ref.	Part No.	Serial Number	Description	Qty.
▽		380613	(000000-) Box Assy, Heat/Ac	1
▲	1	388407	(000000-) Housing Assembly	1
▲	2	87579	(000000-) Latch, Tension	1
▲	3	380649	(000000-) Blower, Heat/Ac	1
▲	4	380650	(000000-) Heater Coil	1
▲	5	380651	(000000-) Coil, Evaporator	1
▲	6	380652	(000000-) Valve, Expansion	1
▲	7	380578	(000000-) A/C Hose#10 134A	1
▲	8	380579	(000000-) A/C Hose #6 134A	1
▲	9	380659	(000000-) Duck Bill	4
▲	10	380616	(000000-) Gasket, Box/Cab	1

Fig. 33 - Heater Box Breakdown, 380614

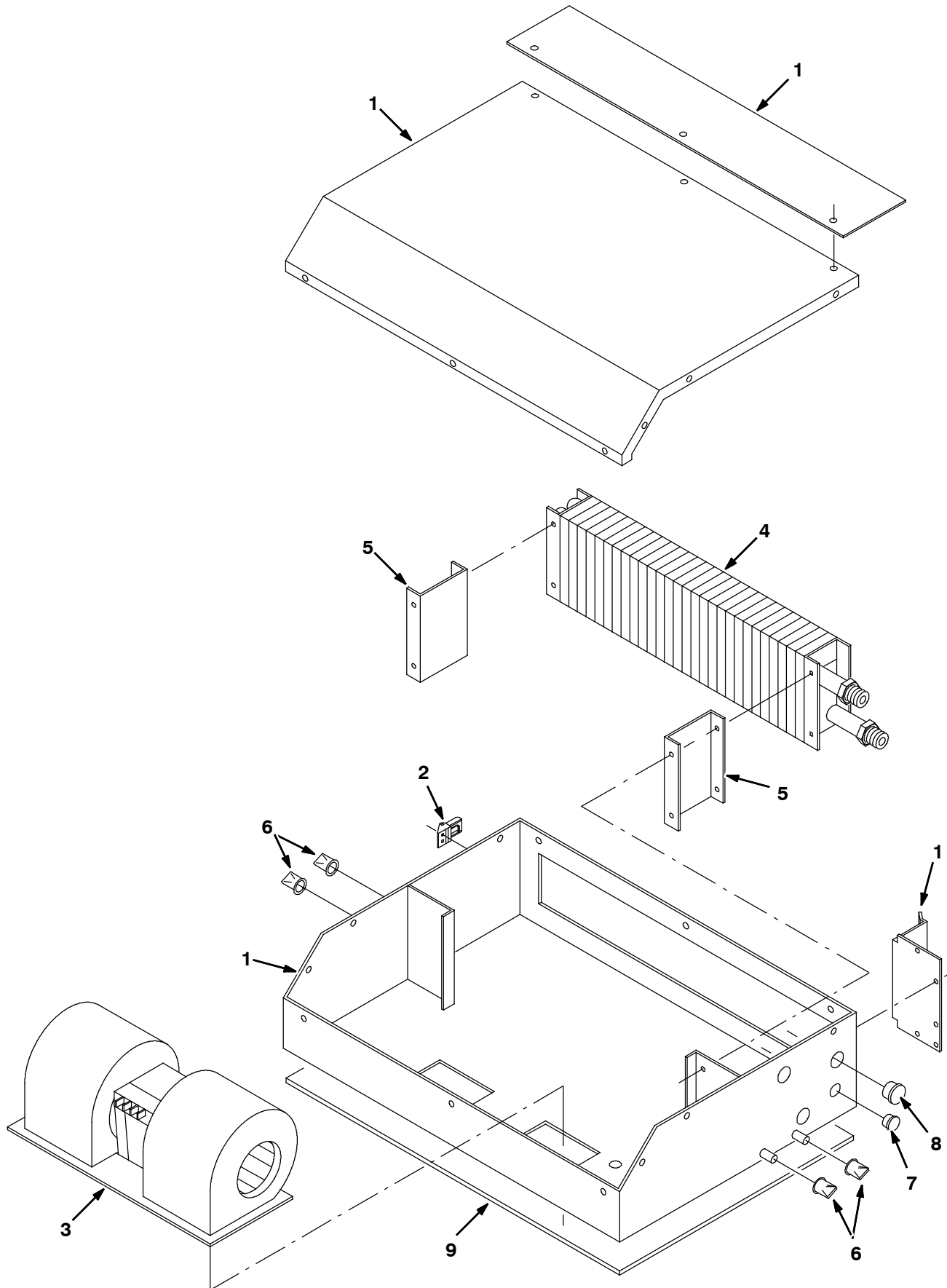


Fig. 33 - Heater Box Breakdown, 380614

	Ref.	Part No.	Serial Number	Description	Qty.
▽		380614	(000000-) Box Assy, Heat	1
▲	1	388407	(000000-) Housing Assembly	1
▲	2	87579	(000000-) Latch, Tension	1
▲	3	380649	(000000-) Blower, Heat/Ac	1
▲	4	380650	(000000-) Heater Coil	1
▲	5	380660	(000000-) Brkt,Mtg,Htr Coil	2
▲	6	380659	(000000-) Duck Bill	4
▲	7	57167	(000000-) Plugbtn .62H .03-.12 Blacknyl	1
▲	8	82727	(000000-) Plugbtn .88H .03-.12 Blacknyl	1
▲	9	380616	(000000-) Gasket, Box/Cab	1

Fig. 34 - Brake Assy, Right Hand (R.h.) 77790

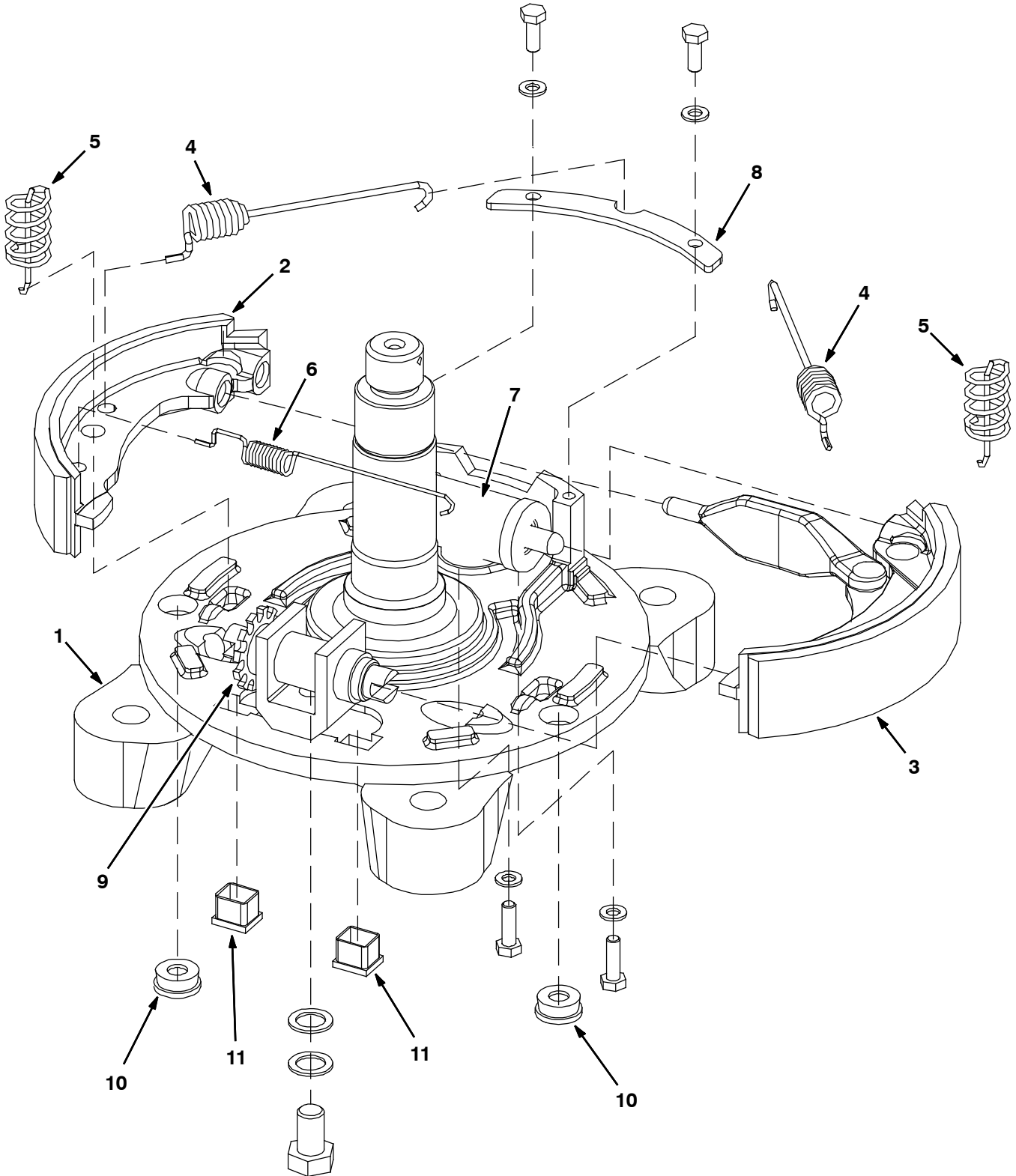


Fig. 34 - Brake Assy, Right Hand (R.h.) 77790

	Ref.	Part No.	Serial Number	Description	Qty.
▽		77790	(000000-) Brake Assy, Drum, Hyd, 08.8d 1.6w Rh	1
▲	1	77768	(000000-) Backing Plate Rh	1
▲	2	70613	(000000-) Shoe, Brake	1
▲	3	70612	(000000-) Shoe, Brake	1
▲	4	21728	(000000-) Spring	2
▲	5	70617	(000000-) Spring	2
▲	6	70618	(000000-) Spring	1
▲	7	70609	(000000-) Cylinder, Wheel, Brake	1
▲	8	70603	(000000-) Clamp, Hold Down	1
▲	9	70615	(000000-) Adjuster, Manual	1
▲	10	372950	(000000-) Plug, Rbr, Rnd	2
▲	11	372951	(000000-) Plug, Plstc, Sq	2

Fig. 35 - Brake Assy, Left Hand (L.h.) 77770

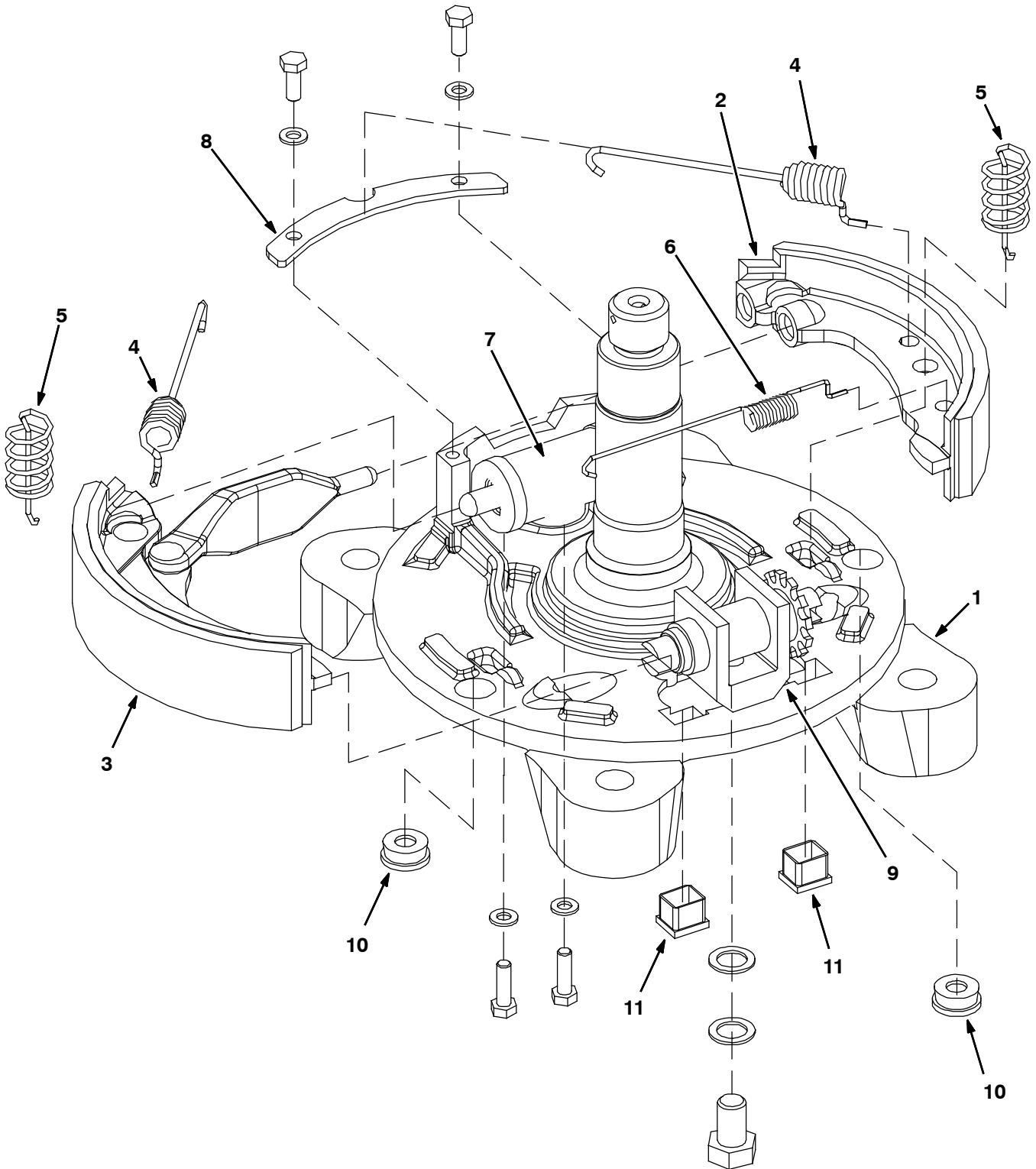


Fig. 35 - Brake Assy, Left Hand (L.h.) 77770

	Ref.	Part No.	Serial Number	Description	Qty.
▽		77770	(000000-) Brake Assy, Drum, Hyd, 08.0d 1.6w Lh	1
▲	1	77769	(000000-) Plate, Backing	1
▲	2	70613	(000000-) Shoe, Brake	1
▲	3	70611	(000000-) Shoe, Brake	1
▲	4	21728	(000000-) Spring	2
▲	5	70617	(000000-) Spring	2
▲	6	70618	(000000-) Spring	1
▲	7	70609	(000000-) Cylinder, Wheel, Brake	1
▲	8	70603	(000000-) Clamp, Hold Down	1
▲	9	70615	(000000-) Adjuster, Manual	1
▲	10	372950	(000000-) Plug, Rbr, Rnd	2
▲	11	372951	(000000-) Plug, Plstc, Sq	2

Fig. 36 - Hydraulic Solenoid Valve Breakdown, 1049210

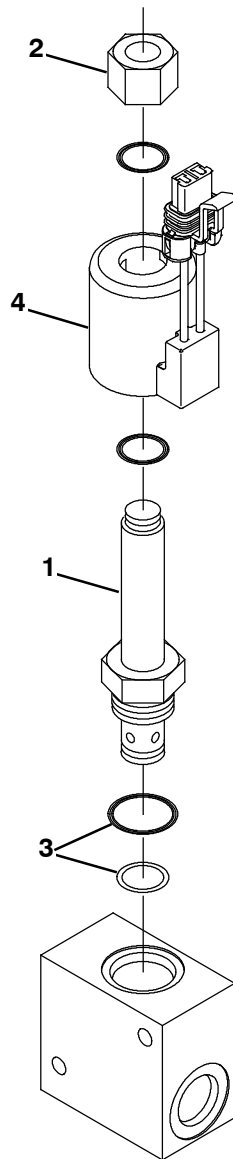


Fig. 36 - Hydraulic Solenoid Valve Breakdown, 1049210

	Ref.	Part No.	Serial Number	Description	Qty.
▽		1049210	(000000-) Valve, Cntrl, Hyd, Solenoid, 12vdc 12gpm	1
▲	1	1050812	(000000-) Stem, Valve, Hyd	1
▲	2	1050811	(000000-) Nut, Valve, Cartridge	1
▲	3	1050780	(000000-) Seal Kit, Cartridge	1
▲	4	1050809	(000000-) Solenoid, Valve, Hyd, 36vdc	1

Fig. 37 - Hydraulic Solenoid Valve Breakdown, 1049209

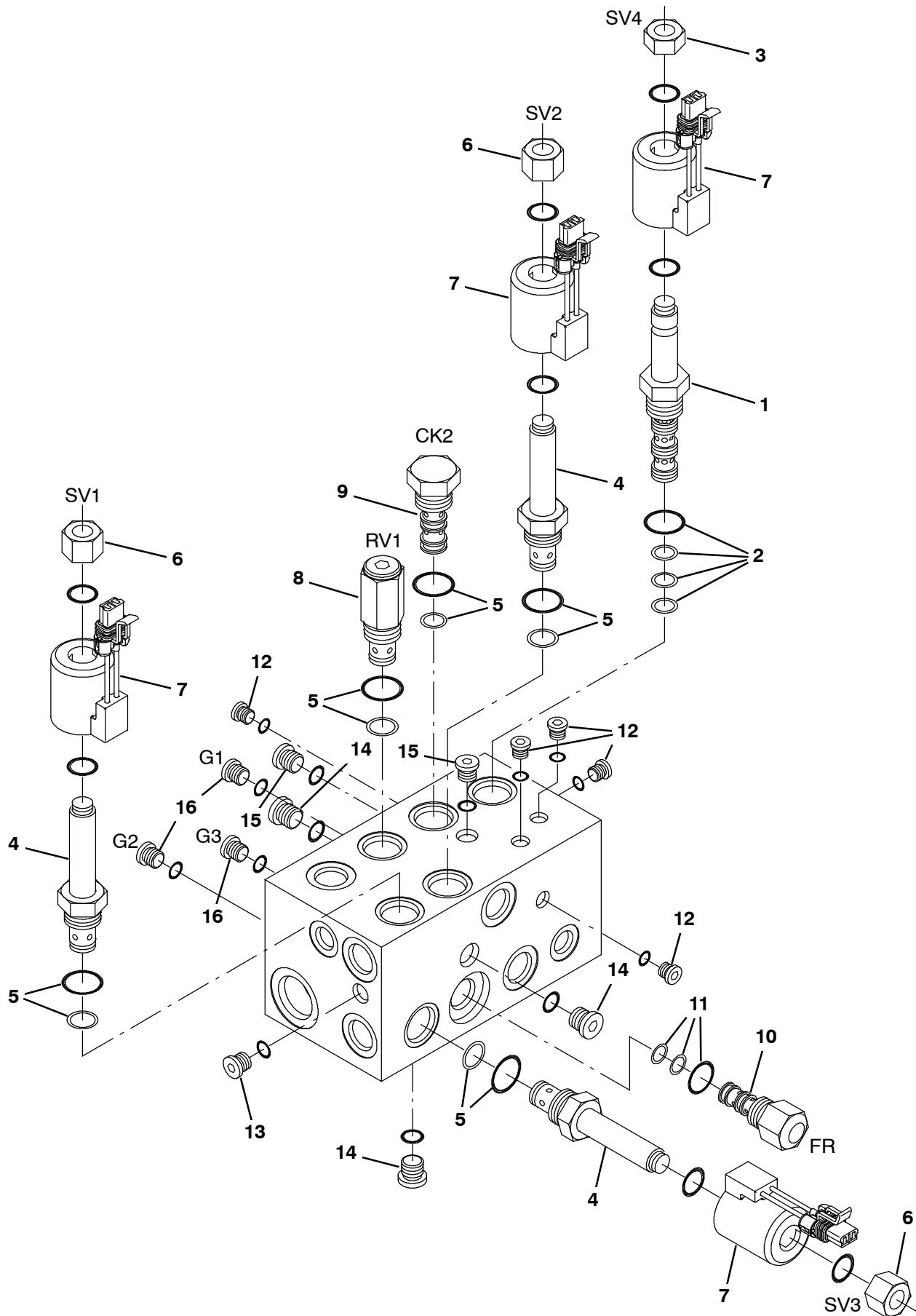
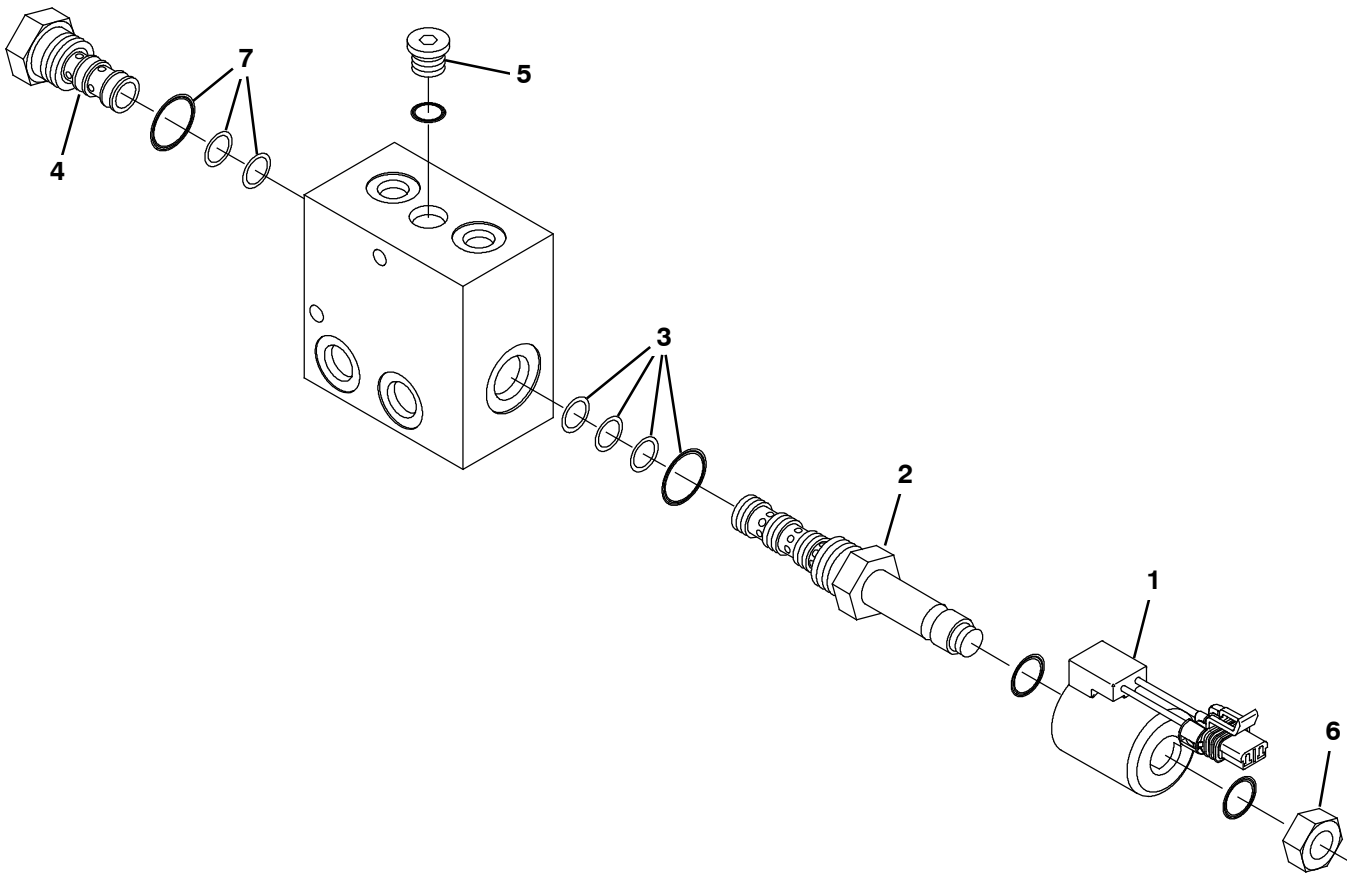


Fig. 37 - Hydraulic Solenoid Valve Breakdown, 1049209

Ref.	Part No.	Serial Number	Description	Qty.	
▽	1049209	(000000-) Valve, Cntrl, Hyd, Solenoid, 12vdc 08gpm	1	
▲	1	1050861	(000000-) Solenoid, Valve, Hyd	1
▲	2	1050870	(000000-) Seal Kit, Cartridge	1
▲	3	373584	(000000-) Nut, Valve, Cartridge	1
▲	4	1050812	(000000-) Stem, Valve, Hyd	3
▲	5	1050780	(000000-) Seal Kit, Cartridge	1
▲	6	373585	(000000-) Nut, Valve, Cartridge	3
▲	7	1050809	(000000-) Solenoid, Valve, Hyd, 36vdc	4
▲	8	1050862	(000000-) Valve, Cartridge, Relief	1
▲	9	1050863	(000000-) Valve, Cartridge, Check	1
▲	10	1050864	(000000-) Valve, Cartridge, Flow Reg	1
▲	11	1050871	(000000-) Seal Kit, Cartridge	1
▲	12	1050865	(000000-) Fitting, Plug, Om02, Valve	5
▲	13	1050866	(000000-) Fitting, Plug, Om04, Valve	1
▲	14	1050867	(000000-) Fitting, Plug, Om06, Valve	3
▲	15	1050868	(000000-) Fitting, Plug, Om05, Valve	2
▲	16	1050869	(000000-) Fitting, Plug, Om04, Valve	3

Fig. 38 - Hydraulic Solenoid Valve Breakdown, 1049211



354900 - ALL

Ref.	Part No.	Serial Number	Description	Qty.	
▽	1049211	(000000-) Valve, Cntrl, Hyd, Solenoid, 12vdc 06gpm	1	
▲	1	1050809	(000000-) Solenoid, Valve, Hyd, 36vdc	1
▲	2	1050861	(000000-) Solenoid, Valve, Hyd	1
▲	3	1050870	(000000-) Seal Kit, Cartridge	1
▲	4	1050872	(000000-) Valve, Cartridge, Check	1
▲	5	1050873	(000000-) Fitting, Plug, Om06, Valve	1
▲	6	1051078	(000000-) Nut, Valve, Cartridge	1
▲	7	1051079	(000000-) Seal Kit, Cartridge	1

SECTION 5

Contents	Page
Fig. 1 - Cylinder Block Group	5-2
Fig. 2 - Crankshaft and Piston Group	5-4
Fig. 3 - Cylinder Head Group	5-6
Fig. 4 - Rocker Shaft Group	5-8
Fig. 5 - Timing Gear, Cover and Camshaft Group	5-10
Fig. 6 - Timing Gear Cover Mount Group	5-12
Fig. 7 - Auxiliary Drive Group	5-14
Fig. 8 - Oil Pump Group	5-16
Fig. 9 - Fuel Injection Pipe Group	5-18
Fig. 10 - Fuel Injection Pump Breakdown	5-20
Fig. 11 - Flywheel Housing and Starter Group ..	5-22
Fig. 12 - Starter Motor Breakdown, 369136	5-24
Fig. 13 - Lubricating Oil Sump Group	5-26
Fig. 14 - Cylinder Head Cover Group	5-28
Fig. 15 - Water Pump and Thermostat Group ..	5-30
Fig. 16 - Manifold Group	5-32
Fig. 17 - Glow Plug and Engine Lift Group	5-33
Fig. 18 - Top Joints and Gaskets Group	5-34
Fig. 19 - Bottom Joints and Gaskets Group	5-35

Fig. 1 - Cylinder Block Group

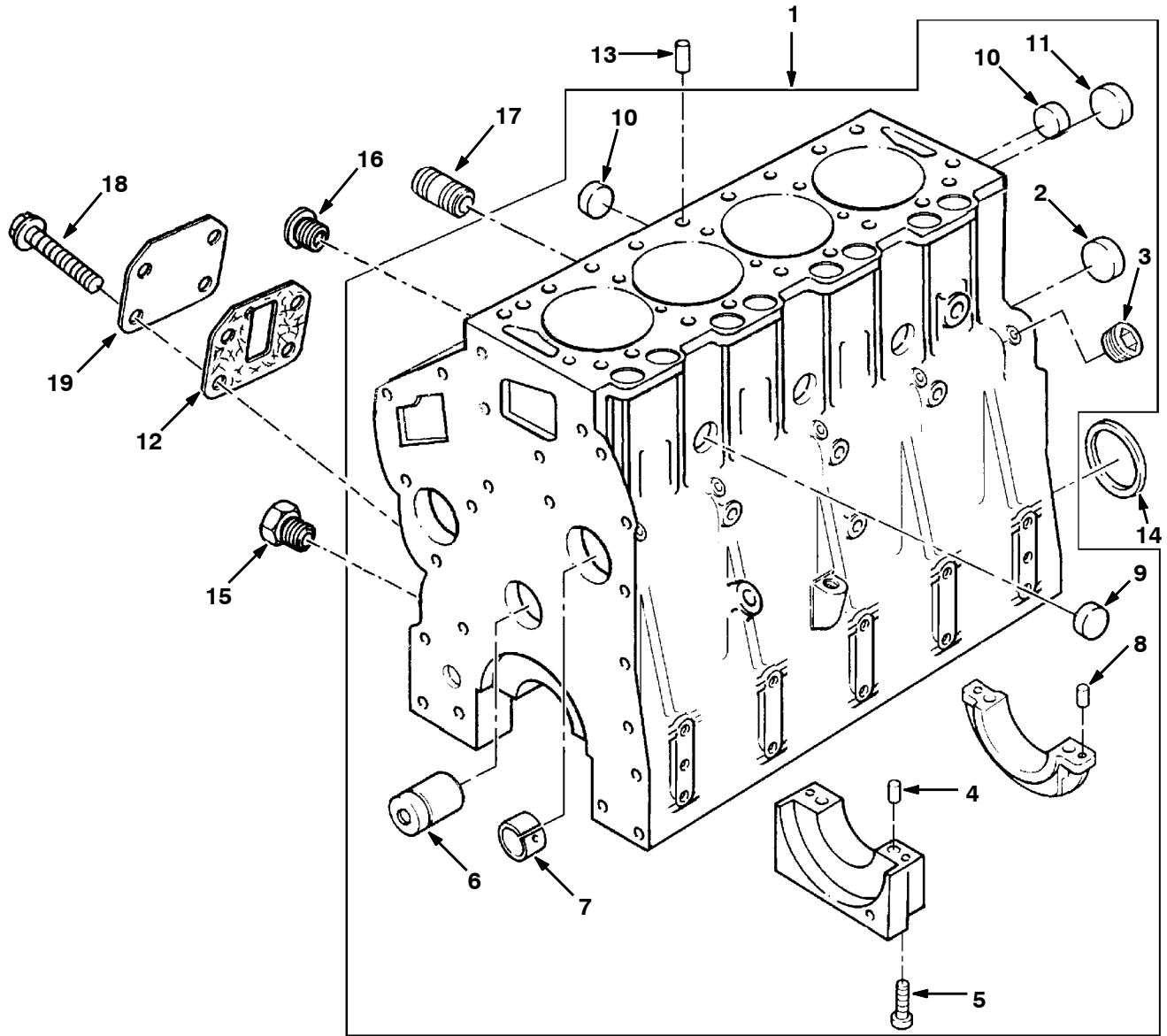


Fig. 1 - Cylinder Block Group

	Ref.	Part No.	Description	Qty.
		377428	Block, Long	1
		370885	Short Block	1
▽	1	369289	Cylinder Block Kit	1
▲	2	764468	Plug	2
▲	3	764785	Plug	10
▲	4	369237	Seal	2
▲	5	369171	Screw	10
▲	6	369182	Shaft	1
▲	7	369140	Bushing	1
▲	8	369238	Seal	4
▲	9	369036	Plug	3
▲	10	764469	Plug	4
▲	11	764731	Plug	1
	12	21796	Gasket	1
	13	369201	Dowel	2
	14	369032	Seal	1
	15	764836	Plug	1
	16	369209	Adaptor	1
	17	369296	Connection	2
	18	369019	Screw	4
	19	369295	Plate	1

Fig. 2 - Crankshaft and Piston Group

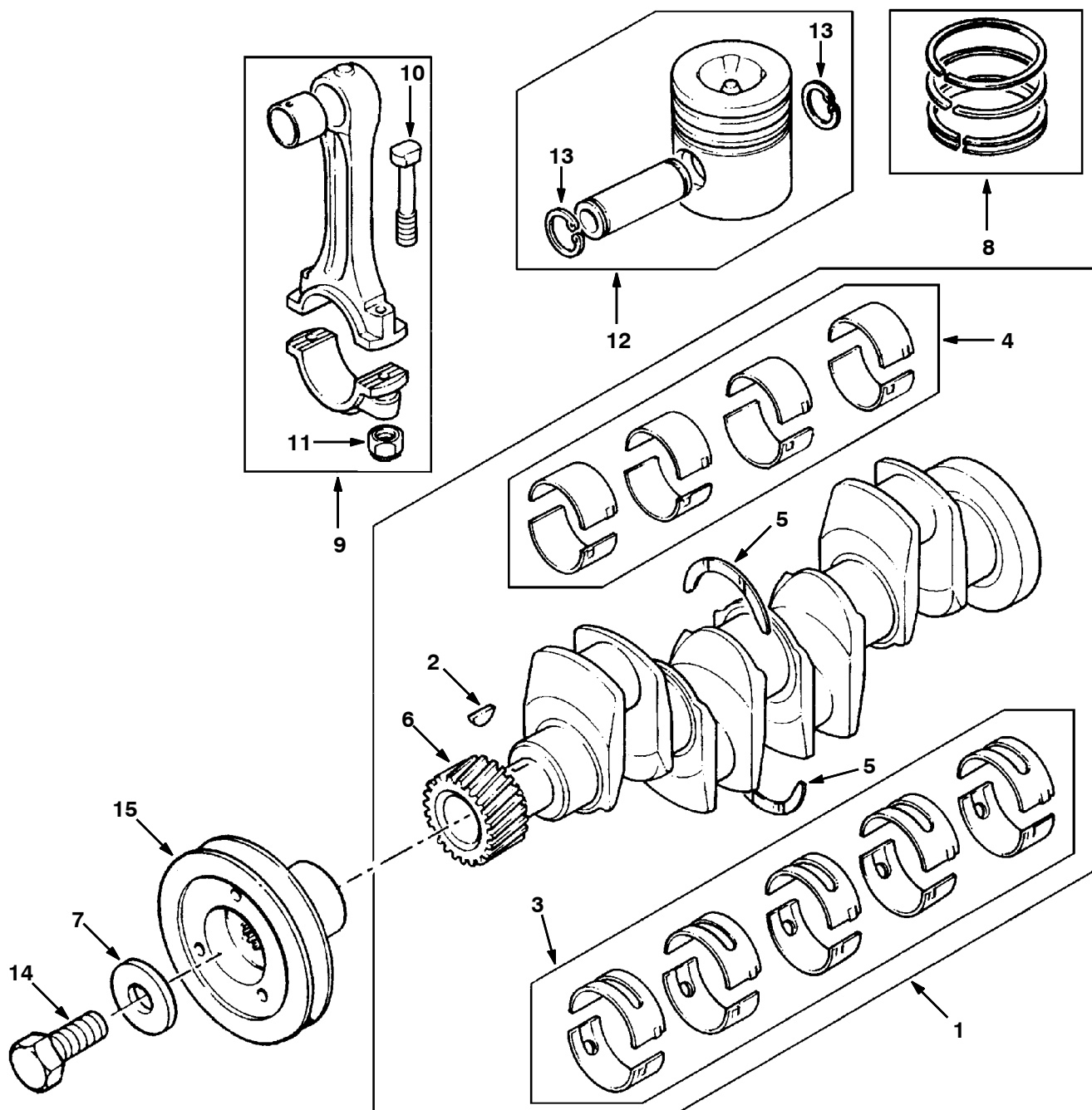


Fig. 2 - Crankshaft and Piston Group

	Ref.	Part No.	Description	Qty.
▽	1	369293	Rockershaft	1
▲	2	764402	Key	1
▲	3	369286	Bearing Kit	1
▲	4	369287	Bearing Kit	1
▲	5	369137	Bushing	2
▲	6	369145	Gear, Crankshaft	1
	7	369207	Washer	1
	8	369298	Kit, Piston Ring	4
▽	9	369297	Kit, Conrod	4
▲	10	369172	Screw	2
▲	11	369208	Nut	2
▽	12	369284	Piston Kit	4
▲	13	369132	Clip	2
	14	369169	Screw	1
	15	369143	Pulley, Crank	1

Fig. 3 - Cylinder Head Group

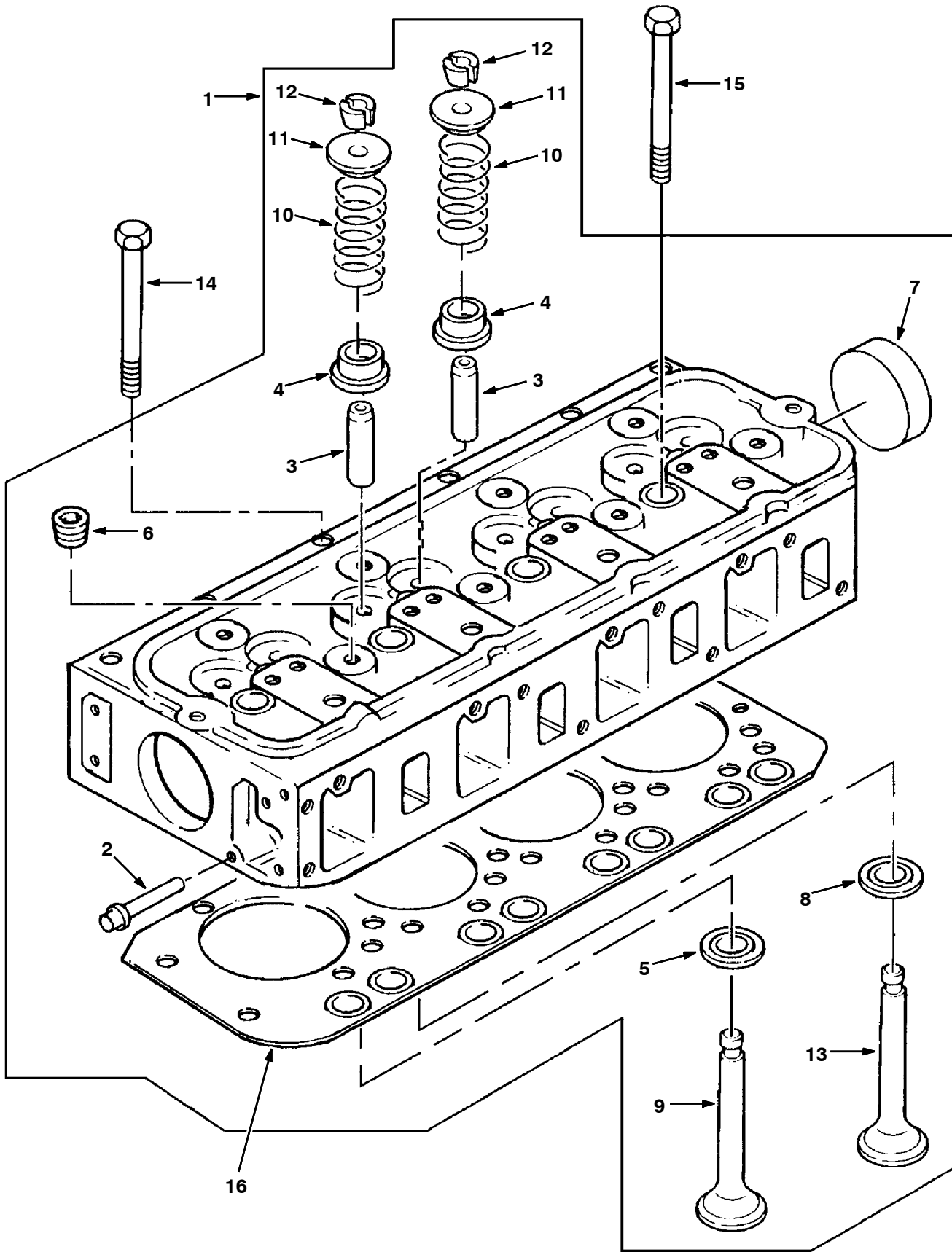


Fig. 3 - Cylinder Head Group

	Ref.	Part No.	Description	Qty.
▽	1	369290	Cylinder Head Kit	1
▲	2	764466	Plug	1
▲	3	369200	Guide	8
▲	4	369261	Seal	8
▲	5	369197	Insert	4
▲	6	764425	Plug	4
▲	7	764469	Plug	2
▲	8	369198	Insert	4
▲	9	369149	Exhaust Valve	4
▲	10	369159	Spring	8
▲	11	369206	Cap	8
▲	12	369153	Cotter	16
▲	13	369150	Inlet Valve	4
	14	369170	Screw	14
	15	369173	Screw	4
	16	369228	Head Gasket	1

Fig. 4 - Rocker Shaft Group

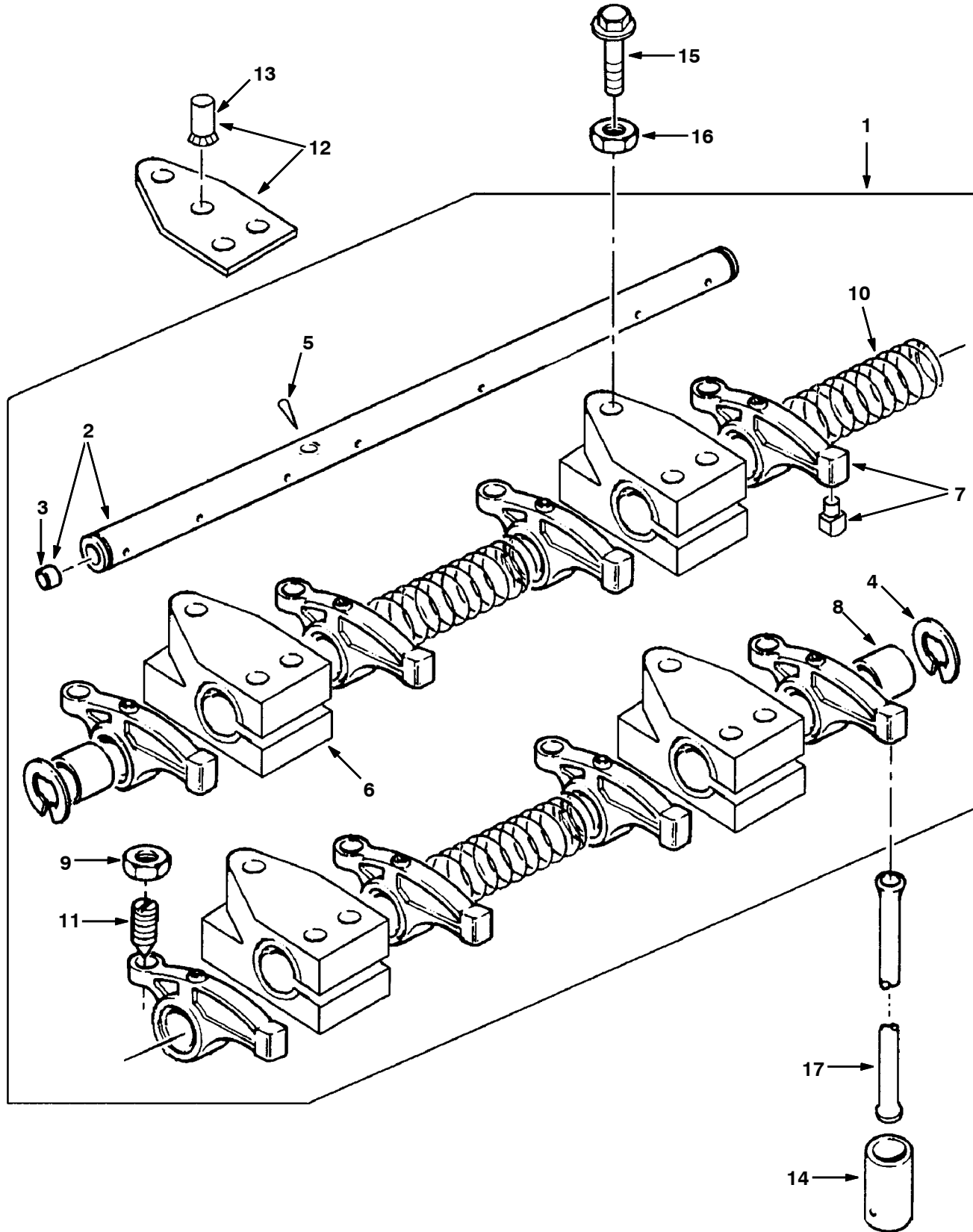


Fig. 4 - Rocker Shaft Group

	Ref.	Part No.	Description	Qty.
▽	1	369292	Rockershaft Assy	1
▲▽	2	369294	Rocker Shaft	1
▲▲	3	369002	Plug	2
▲	4	369134	Circlip	2
▲	5	369005	Pin	1
▲	6	369249	Bracket	4
▲	7	369254	Lever	8
▲	8	369195	Spacer	2
▲	9	369023	Nut	8
▲	10	369160	Spring	3
▲	11	369166	Screw	8
▽	12	369243	Plate	1
▲	13	369187	Stud	1
	14	369151	Tappet	8
	15	369016	Screw	8
	16	764421	Nut	4
	17	369152	Push Rod	8

Fig. 5 - Timing Gear, Cover and Camshaft Group

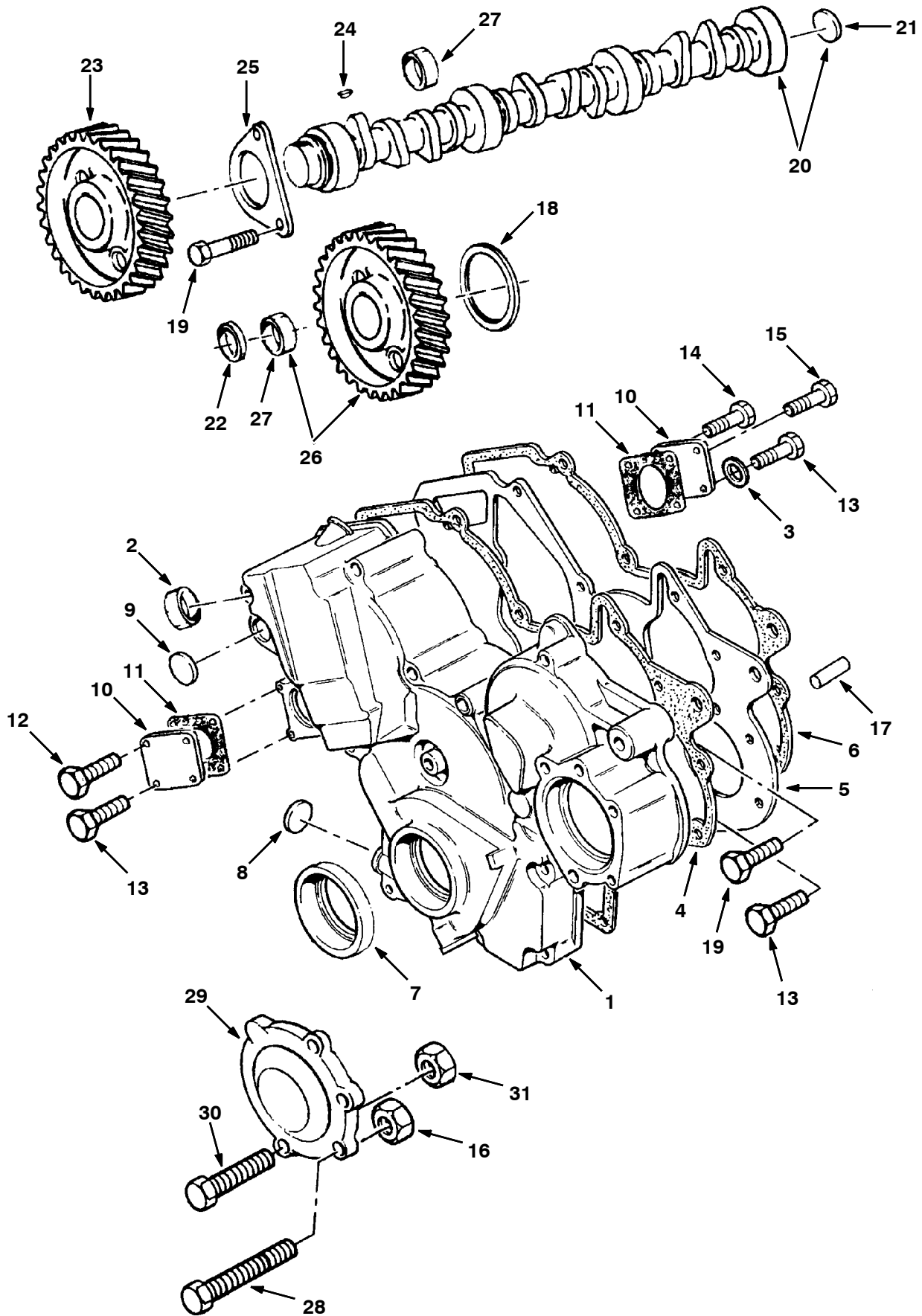


Fig. 5 - Timing Gear, Cover and Camshaft Group

Ref.	Part No.	Description	Qty.	
1	369257	Timing Gear Cover	1	
2	369205	Sleeve	1	
3	369004	Washer	2	
4	369235	Joint	1	
5	369224	Plate	1	
6	369236	Joint	1	
7	369031	Seat	1	
8	369035	Plug	3	
9	369174	Plug	1	
10	369217	Plate	1	
11	369232	Joint	1	
12	369020	Screw	1	
13	764408	Screw	8	
14	764409	Screw	1	
15	764575	Screw	2	
16	764422	Nut	2	
17	369196	Dowel	2	
18	369025	O-Ring	1	
19	764653	Screw	2	
▽	20	393665	Camshaft Kit	1
▲	21	369037	Plug	1
▲		369140	Bushing (Not Shown)	1
	22	369007	Washer	2
	23	369146	Gear, Camshaft	1
	24	369260	Woodruff Key	1
	25	369141	Cover	1
▽	26	369251	Idler Gear	1
▲	27	369138	Bushing	2
	28	764418	Screw	2
	29	369299	Cover	1
	30	370806	Screw	2
	31	764421	Nut	2

Fig. 6 - Timing Gear Cover Mount Group

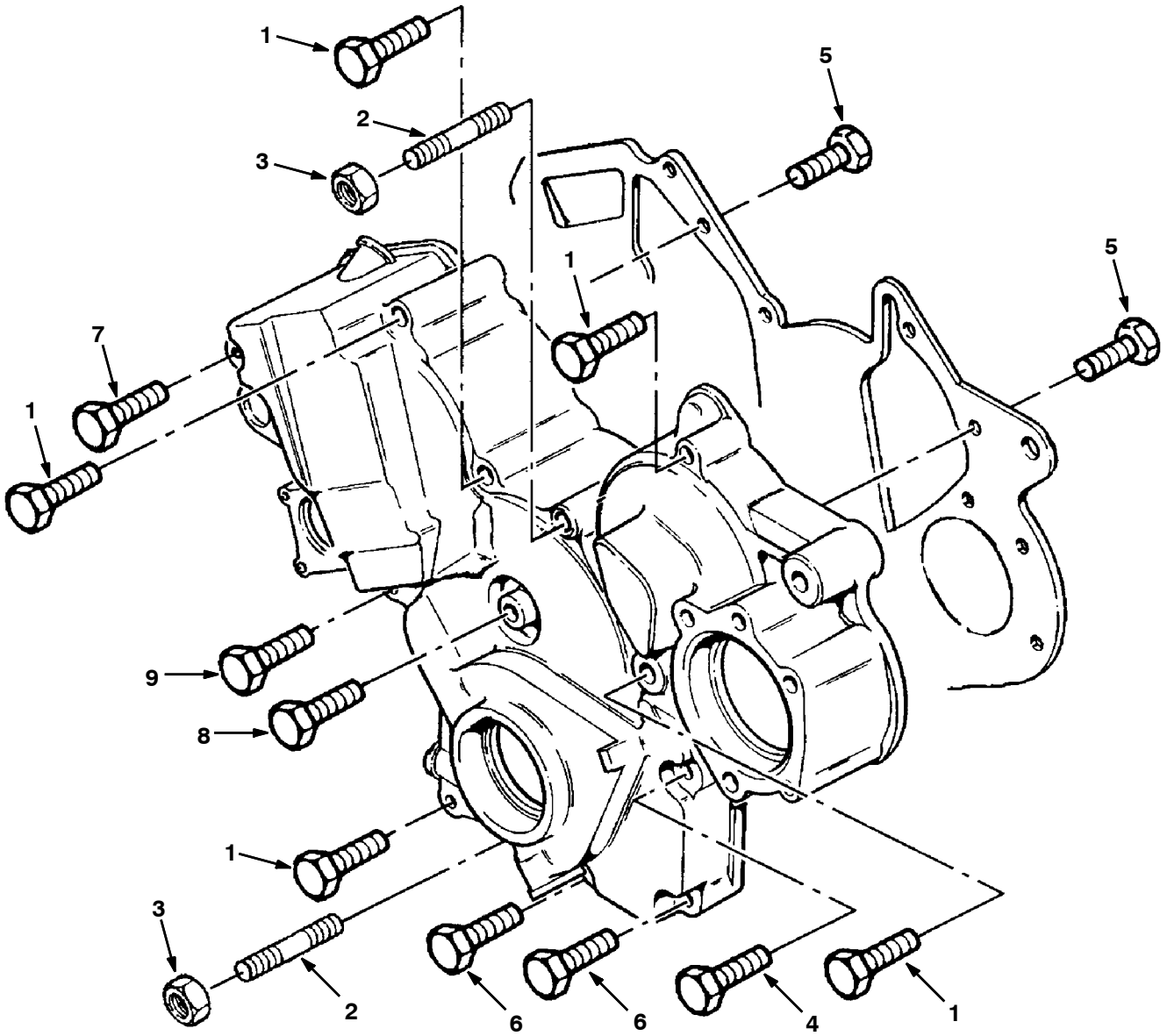
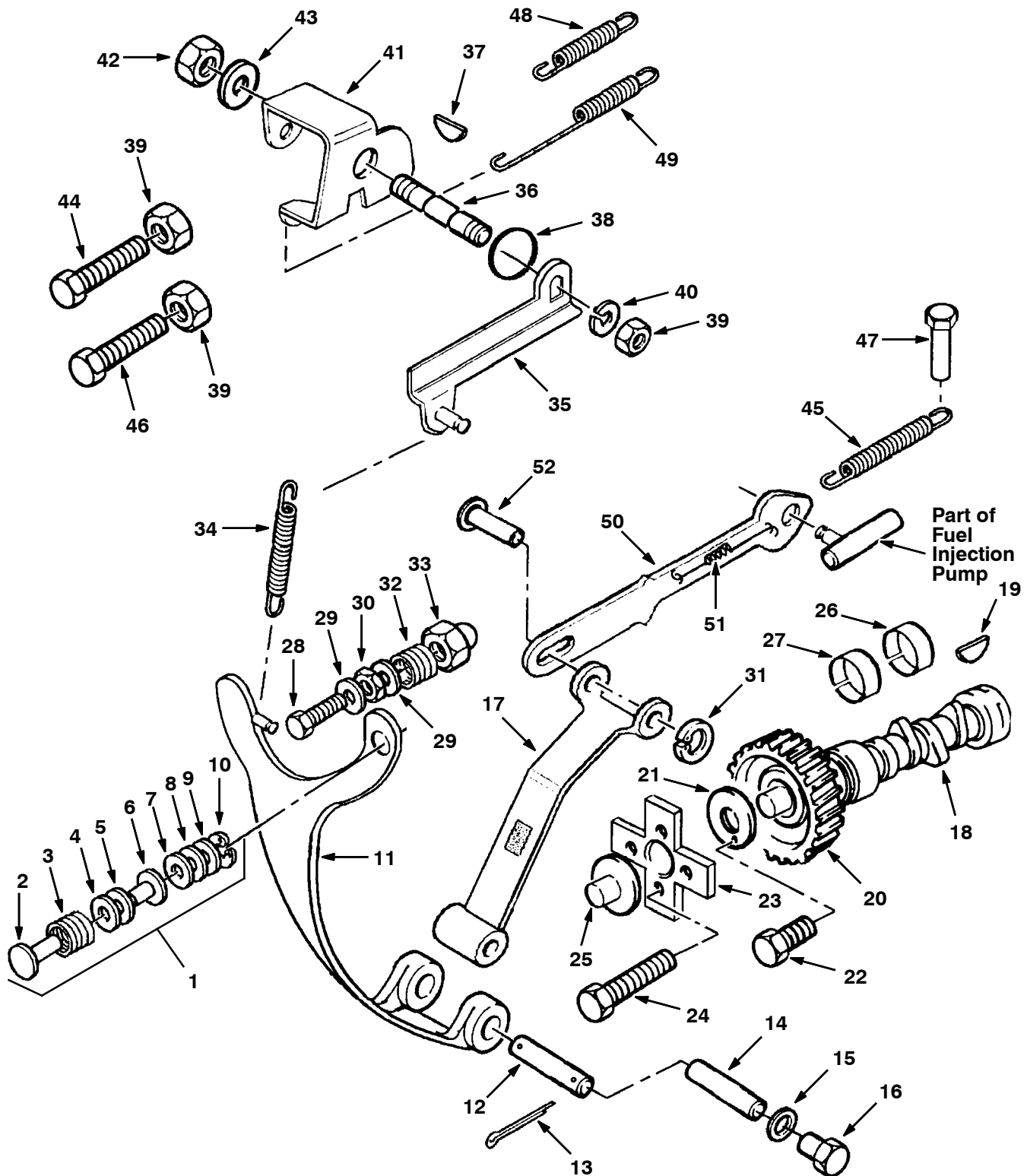


Fig. 6 - Timing Gear Cover Mount Group

Ref.	Part No.	Description	Qty.
1	764560	Screw	5
2	763887	Stud	2
3	764421	Nut	2
4	764620	Screw	1
5	764409	Screw	2
6	764412	Screw	2
7	369018	Screw	1
8	764575	Screw	1
9	764414	Screw	1

Fig. 7 - Auxiliary Drive Group



351099 - D

Ref.	Part No.	Description	Qty.
▽	1	369282 Adjuster	1
▲	2	369183 Pin	1
▲	3	369155 Spring	1

Fig. 7 - Auxiliary Drive Group

	Ref.	Part No.	Description	Qty.
▲	4	369191	Shim	1
▲	5	369190	Shim	1
▲	6	369272	Adapter	1
▲	7	369188	Shim	1
▲	8	369189	Shim	1
▲	9	369192	Shim	1
▲	10	369135	Circlip	1
	11	369241	Arm	1
	12	369175	Pin	1
	13	369213	Pin	2
	14	369176	Pin	1
	15	369194	Washer	1
	16	369038	Screw	1
	17	369242	Arm	1
	18	369148	Camshaft	1
	19	369260	Woodruff Key	1
	20	369147	Gear, Pump	1
	21	369177	Plate	1
	22	764812	Screw	1
	23	369253	Weight	1
	24	369015	Screw	4
	25	369142	Slider	1
	26	369040	Bearing	1
	27	369039	Ball Bearing	1
	28	369165	Screw	1
	29	369193	Washer	3
	30	369203	Nut	1
	31	369135	Circlip	1
	32	369268	Spring	1
	33	369186	Nut	1
	34	369269	Spring	1
	35	369279	Arm	1
	36	369167	Shaft	1
	37	369001	Woodruff Key	1
	38	369026	O-Ring	2
	39	369202	Nut	3
	40	369008	Washer	1
	41	369250	Lever	1
	42	369204	Nut	1
	43	369006	Washer	1
	44	369168	Screw	1
	45	369162	Spring	1
	46	369022	Screw	1
	47	369184	Pin	1
	48	369163	Spring	1
	49	369158	Spring	1
	50	370807	Link	1
	51	369162	Spring	1
	52	369270	Pin	1

Fig. 8 - Oil Pump Group

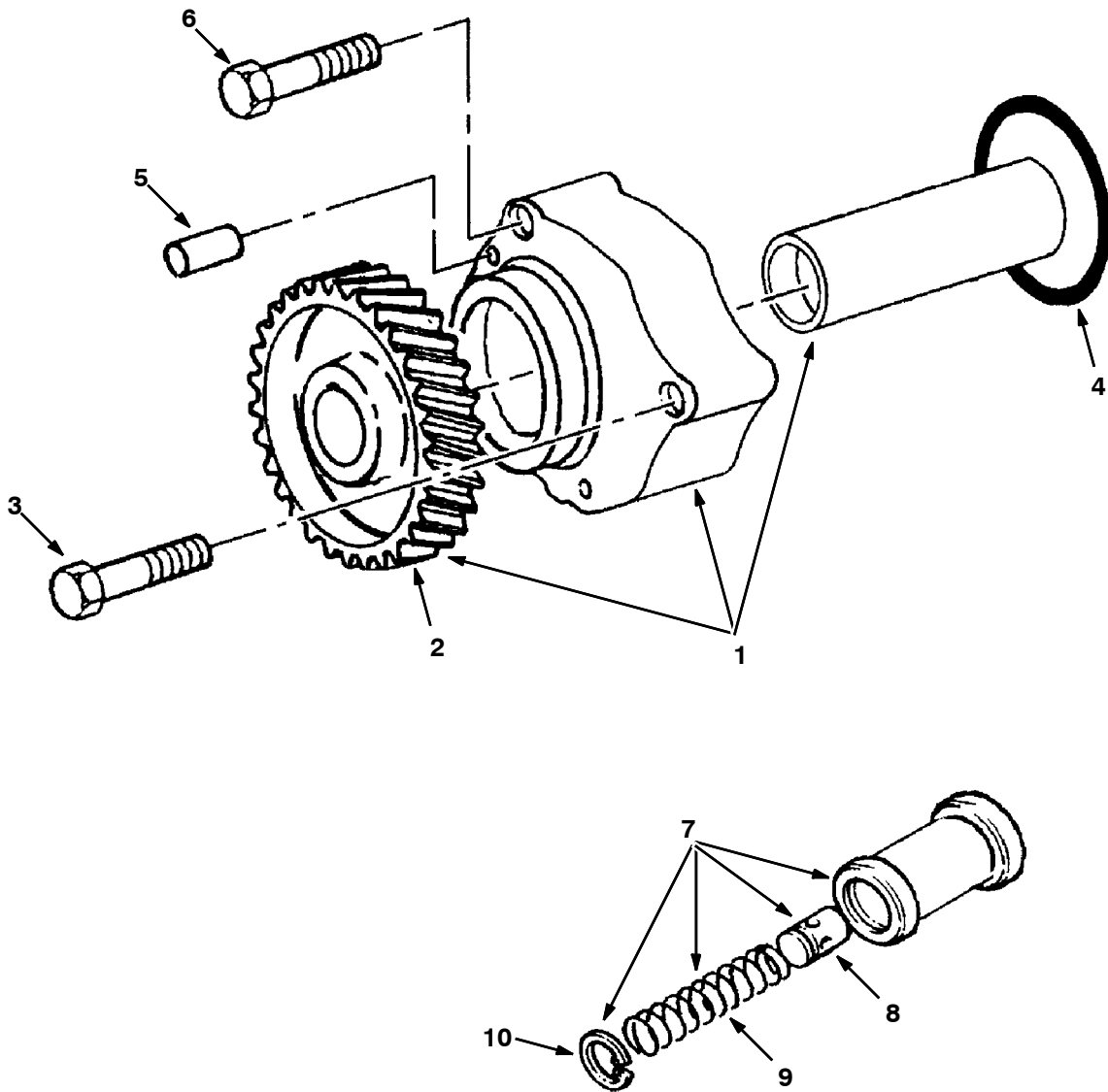


Fig. 8 - Oil Pump Group

	Ref.	Part No.	Description	Qty.
▽	1	369255	Oil Pump	1
▲	2	369144	Gear	1
	3	369012	Screw	1
	4	369027	O-Ring	1
	5	369179	Dowel	2
	6	764707	Screw	2
▽	7	369256	Valve	1
▲	8	369181	Plunger	1
▲	9	369157	Spring	1
▲	10	369133	Circlip	1

Fig. 9 - Fuel Injection Pipe Group

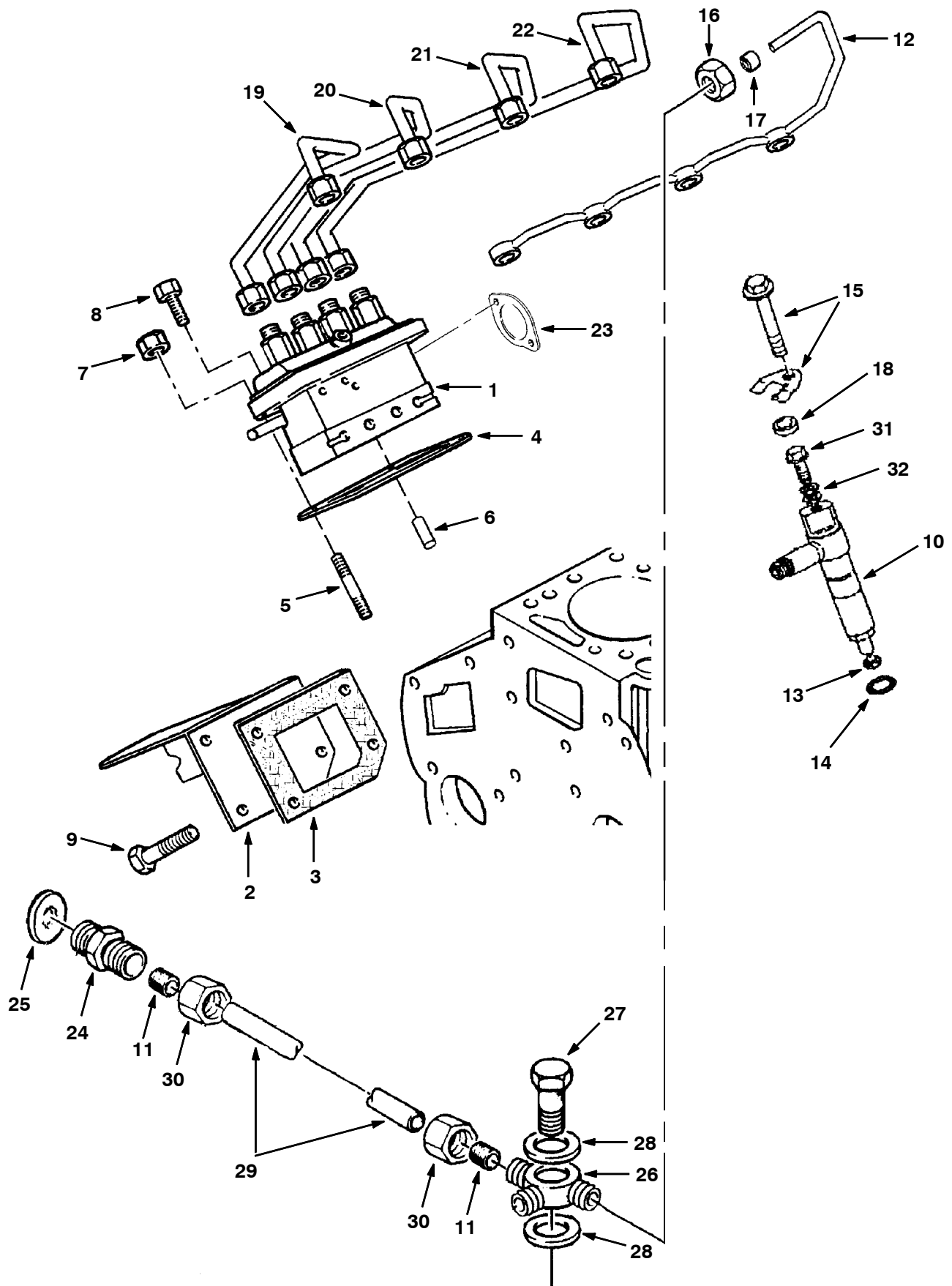


Fig. 9 - Fuel Injection Pipe Group

Ref.	Part No.	Description	Qty.
1	369262	Injection Pump (See Breakdown)	1
2	369226	Cover	1
3	369233	Joint	1
4	388548	Shim Kit, Pump, Injection [Pk]	1
5	764561	Stud	2
6	369178	Dowel	2
7	764421	Nut	2
8	764794	Screw	4
9	764812	Screw	4
10	369263	Atomiser	4
11	369210	Olive .36Od .25Id	2
12	369277	Leak-Off Pipe	1
13	369259	Washer	4
14	369030	O-Ring	4
15	369281	Clamp	4
16	764432	Nut	1
17	764433	Olive	1
18	369271	Spacer	4
19	369273	Inj Pipe #1 Cyl	1
20	369274	Inj Pipe #2 Cyl	1
21	369275	Inj Pipe #3 Cyl	1
22	369276	Inj Pipe #4 Cyl	1
23	369231	Joint	1
24	370811	Connection	1
25	370812	Washer	1
26	369154	Connection	1
27	37828	Bolt	1
28	764802	Washer	2
29	370809	Pipe, Fuel	1
30	370810	Nut, Union	2
31	393675	Bolt	1
32	393676	Gasket	2

Fig. 10 - Fuel Injection Pump Breakdown

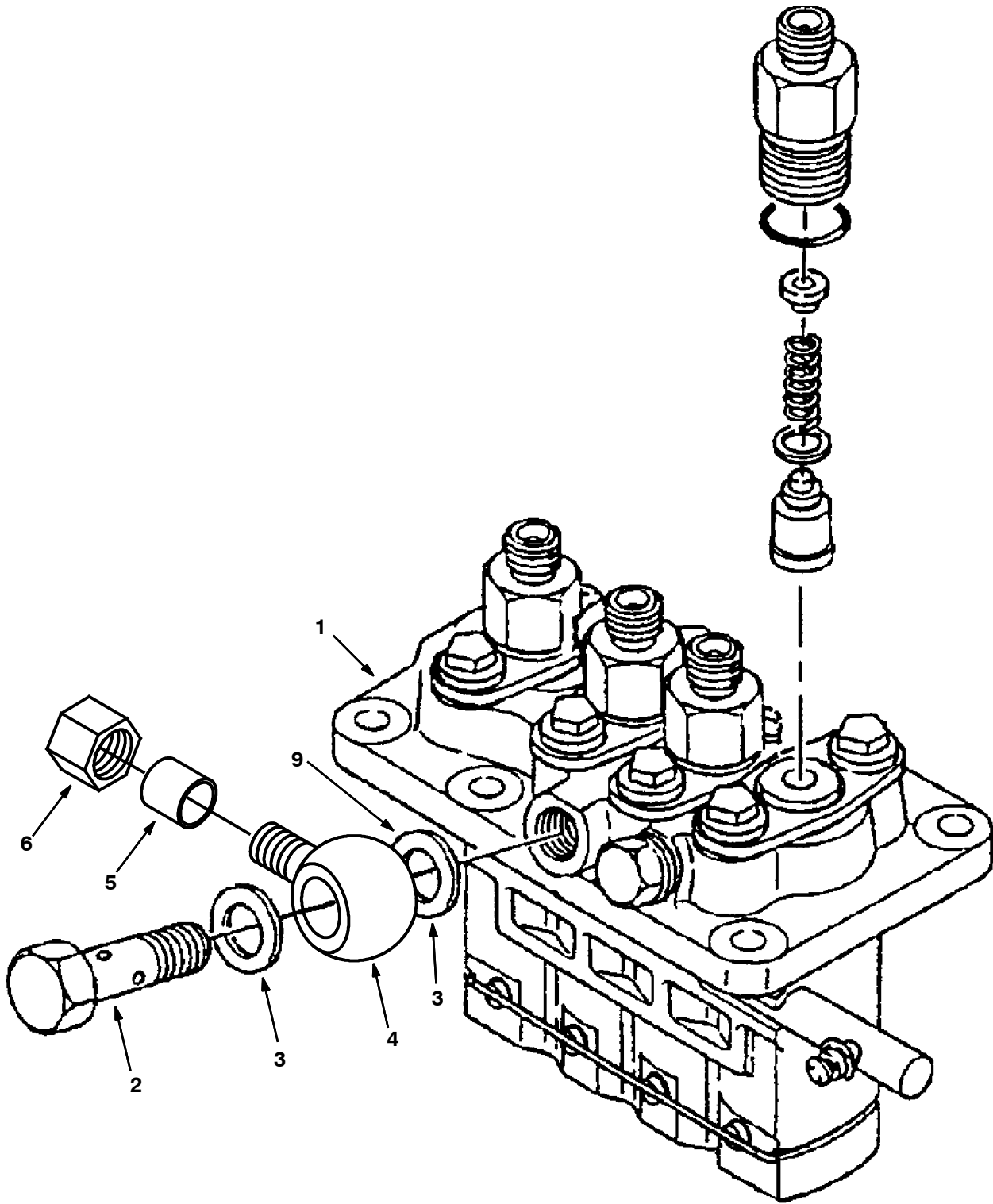


Fig. 10 - Fuel Injection Pump Breakdown

	Ref.	Part No.	Description	Qty.
▽	1	369262	Injection Pump	1
▲	2	369089	Bolt	1
▲	3	369090	Gasket	2
	4	370814	Connection	1
	5	764804	Olive	1
	6	764803	Nut	1

Fig. 11 - Flywheel Housing and Starter Group

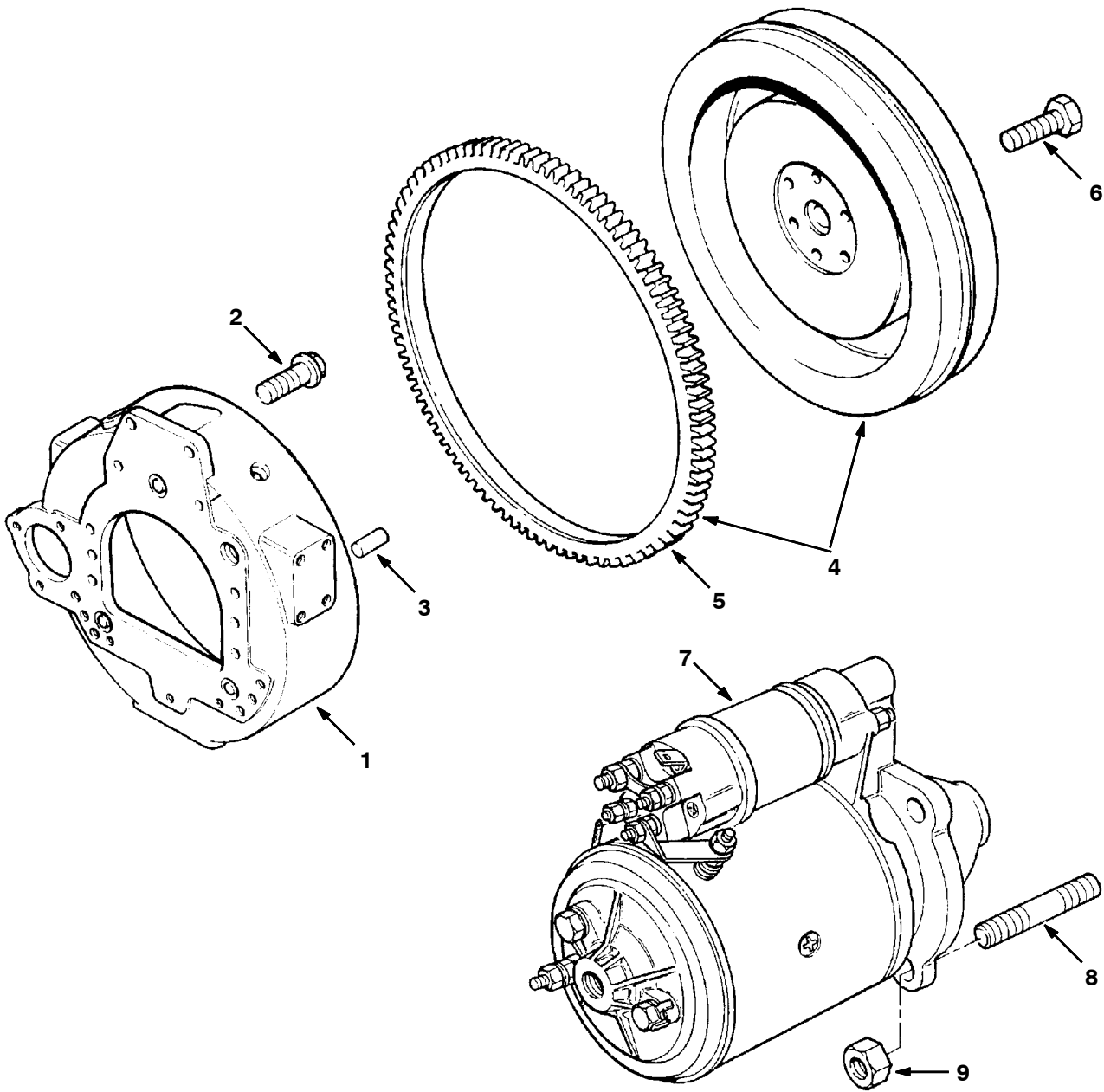


Fig. 11 - Flywheel Housing and Starter Group

Ref.	Part No.	Description	Qty.
1	370818	Housing, Flywheel	1
2	764420	Screw	8
3	370817	Dowel	2
▽ 4	370815	Flywheel Assy	1
▲ 5	37973	Gear, Ring	1
6	370816	Screw	8
7	369136	Starter Motor (See Starter Motor Breakdown)	1
8	764407	Stud	3
9	764422	Nut	3

Fig. 12 - Starter Motor Breakdown, 369136

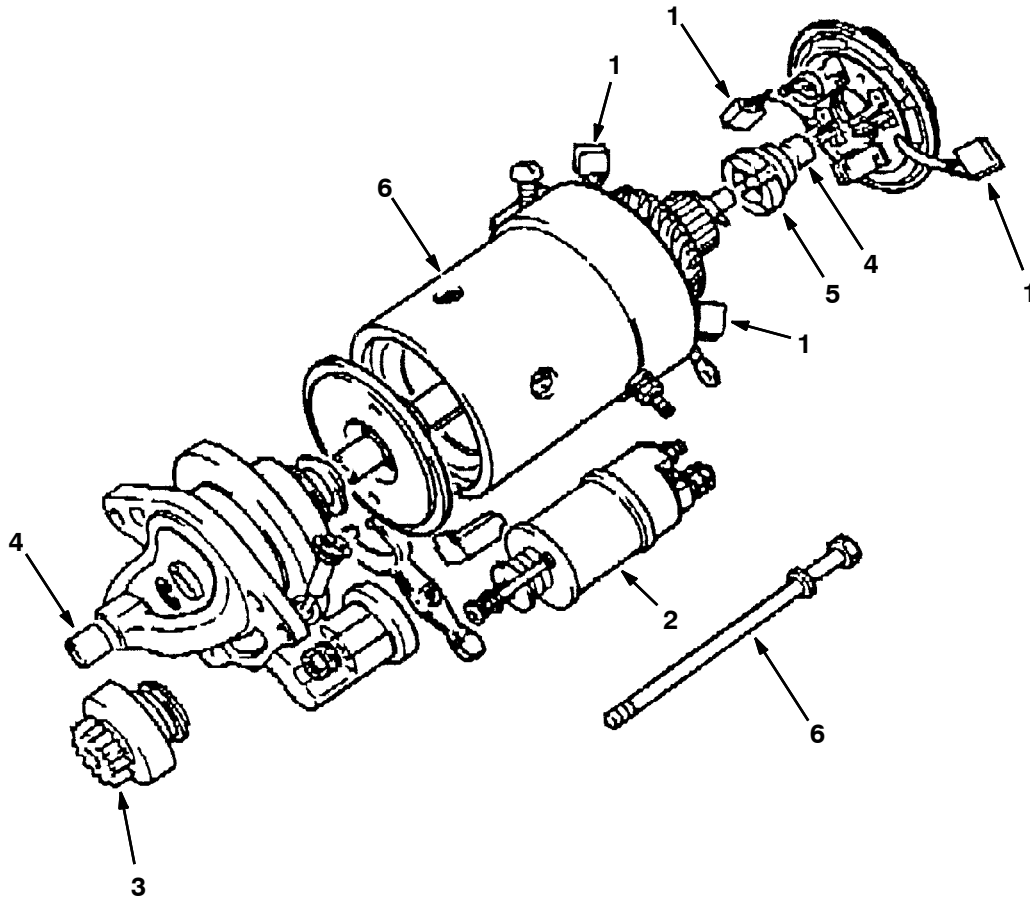


Fig. 12 - Starter Motor Breakdown, 369136

	Ref.	Part No.	Description	Qty.
▽		369136	Starter Motor	1
▲	1	765052	Kit, Brush	1
▲	2	393767	Solenoid	1
▲	3	393768	Drive	1
▲	4	393769	Kit, Bushing	1
▲	5	764604	Kit, Brake	1
▲	6	765053	Kit, Repair	1

Fig. 13 - Lubricating Oil Sump Group

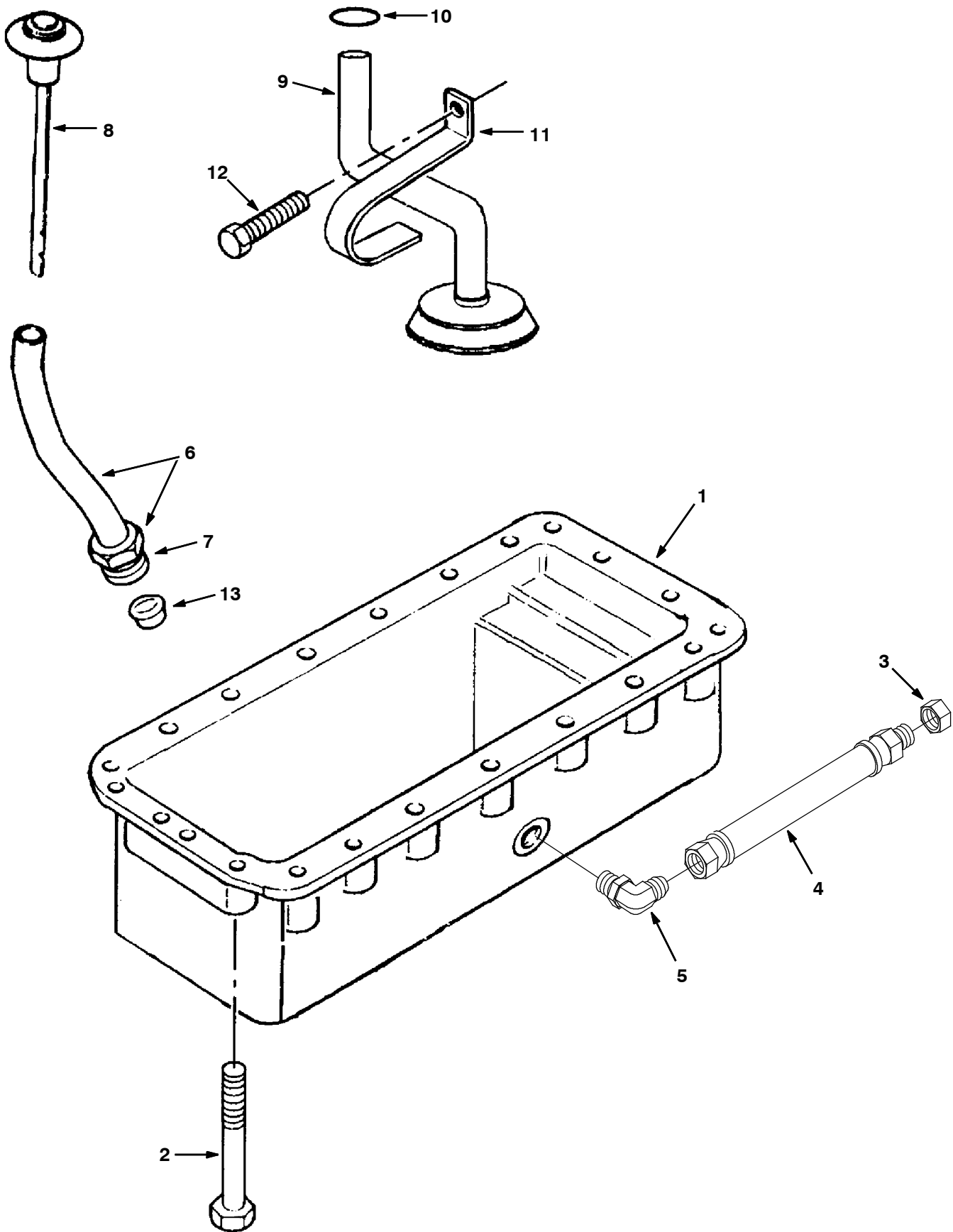


Fig. 13 - Lubricating Oil Sump Group

	Ref.	Part No.	Description	Qty.
▽		374228	Kit, Replmt, Pan, Oil [800d/810d]	1
▲	1	374147	Sump	1
▲	2	374148	Screw	24
▲	3	60090	Fitting, Hyd, Cap, Jf08	1
▲	4	374151	Hose, Hyd, Low [Pk]	1
▲	5	371602	Fitting, Hyd, E90, .75-16 [Pgl]	1
▽	6	369216	Tube Assy	1
▲	7	764716	Nut	1
	8	369164	Dipstick	1
	9	370821	Pipe, Oil	1
	10	370819	O-Ring	1
	11	370820	Clip	1
	12	765049	Screw	1
	13	764717	Olive	1

Fig. 14 - Cylinder Head Cover Group

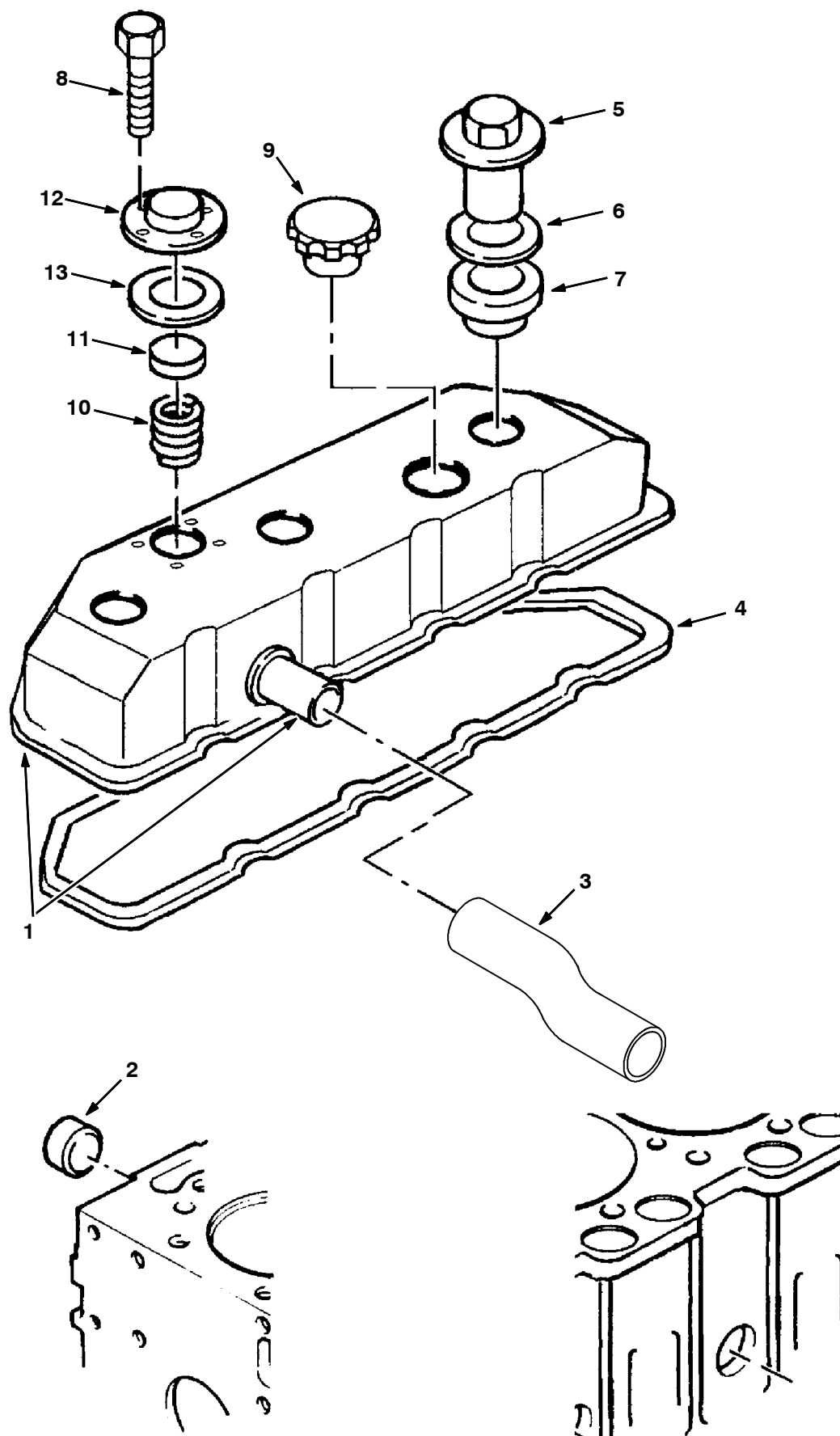


Fig. 14 - Cylinder Head Cover Group

Ref.	Part No.	Description	Qty.
1	369240	Cylinder Head Copy	1
2	764403	Plug	1
3	370823	Hose	1
4	369227	Joint	1
5	369185	Nut	3
6	369003	Washer	3
7	369211	Seal	3
8	369010	Screw	4
9	369212	Cap	1
10	369156	Spring	1
11	369199	Plate	1
12	369245	Cover	1
13	369239	Seal	1

Fig. 15 - Water Pump and Thermostat Group

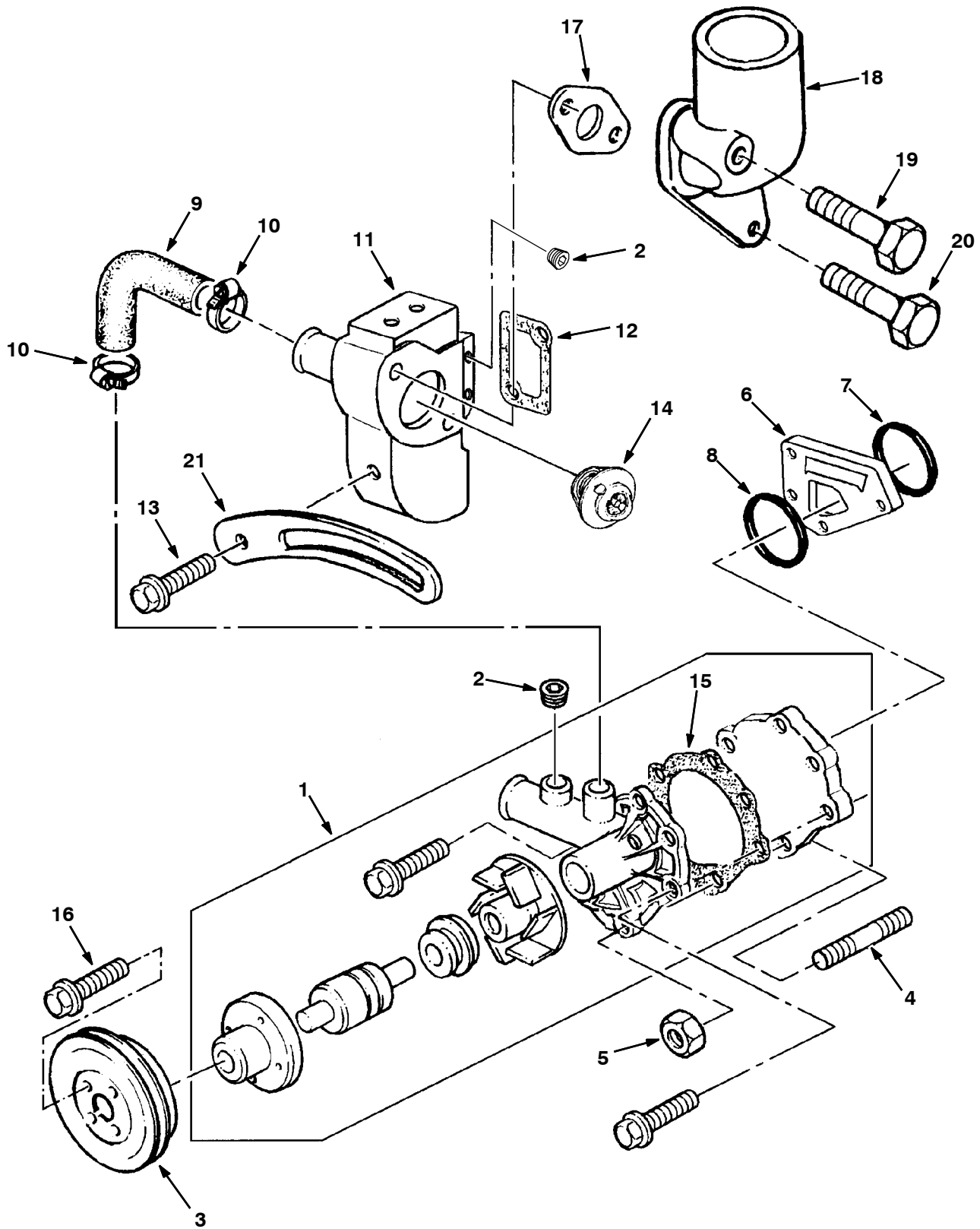
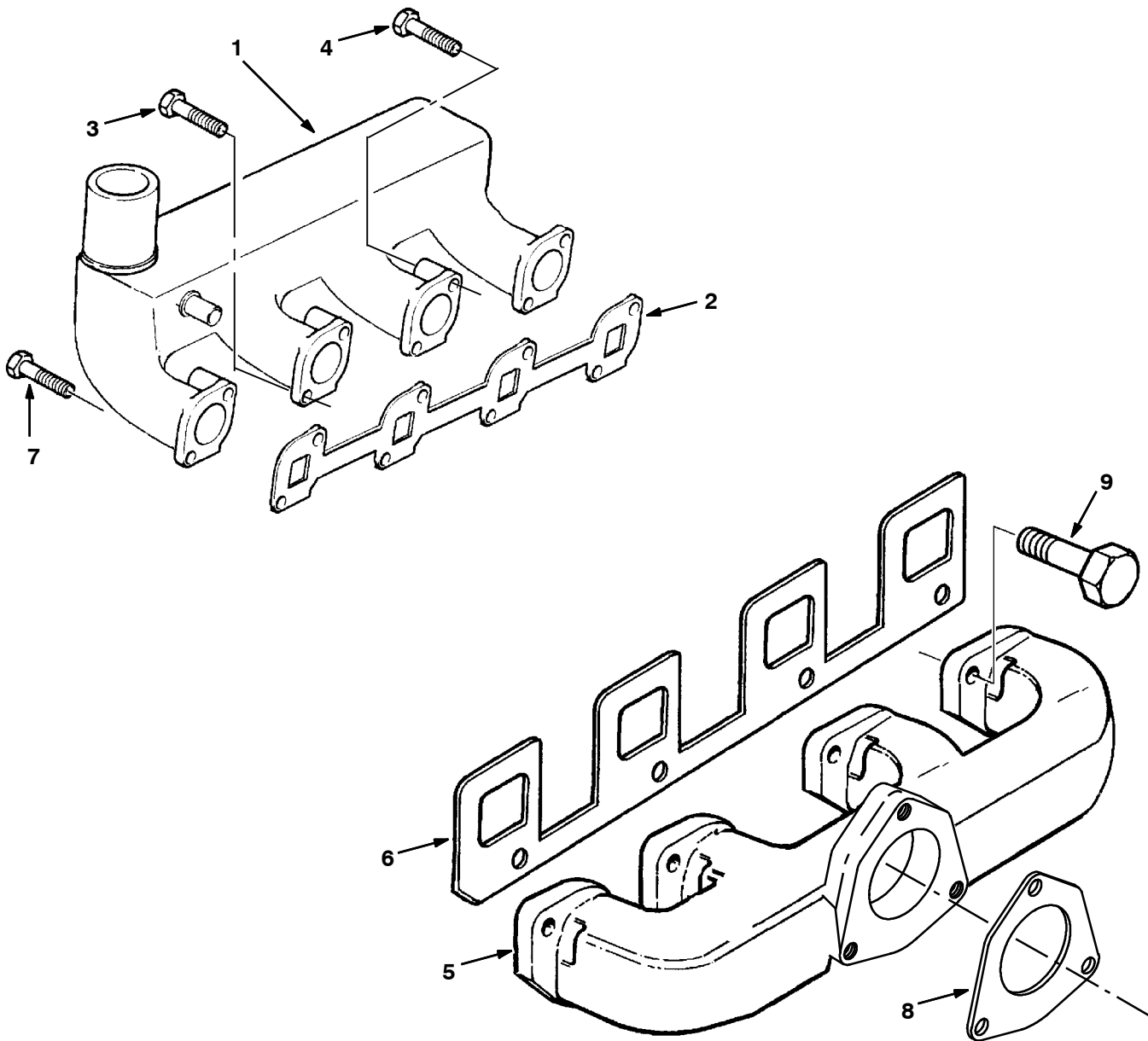


Fig. 15 - Water Pump and Thermostat Group

Ref.	Part No.	Description	Qty.
1	369280	Water Pump	1
2	764517	Plug	2
3	370825	Pulley	1
4	369014	Stud	4
5	764421	Nut	4
6	369244	Spacer	1
7	369029	O-Ring	1
8	369028	O-Ring	1
9	369214	Hose	1
10	369000	Clip	2
11	369247	Housing	1
12	369234	Gasket	1
13	764769	Screw	1
14	369034	Thermostat	1
15	370886	Gasket	1
16	764812	Screw	4
17	369230	Joint	1
18	369246	Connection	1
19	764614	Screw	1
20	764556	Screw	1
21	762094	Lever	1

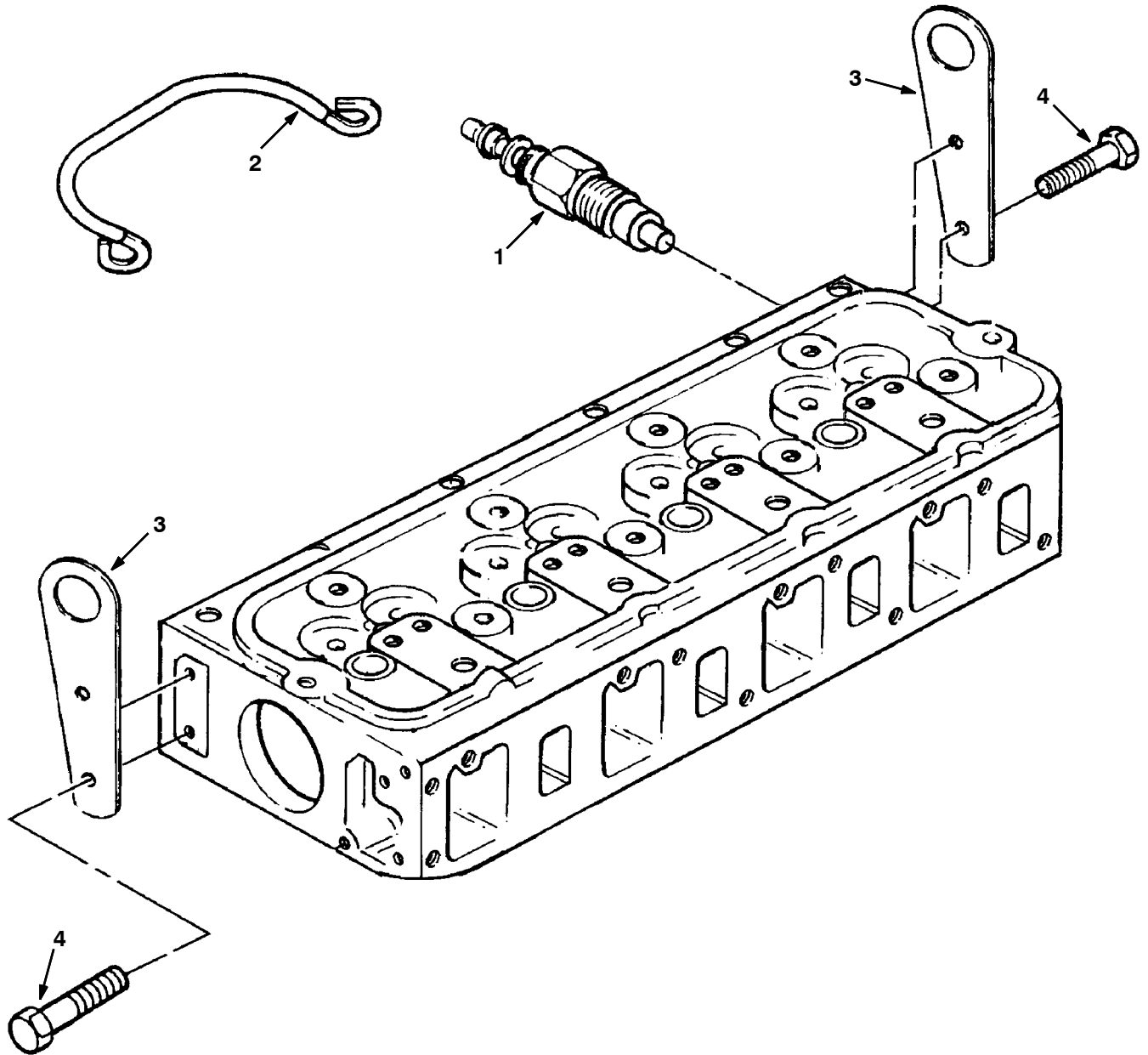
Fig. 16 - Manifold Group



351115 - D

Ref.	Part No.	Description	Qty.
1	370826	Manifold, Intake	1
2	369229	Joint	1
3	764410	Screw	4
4	369021	Screw	3
5	369248	Exhaust Manifold	1
6	369278	Joint	1
7	370887	Screw	1
8	370827	Gasket	1
9	764620	Screw	8

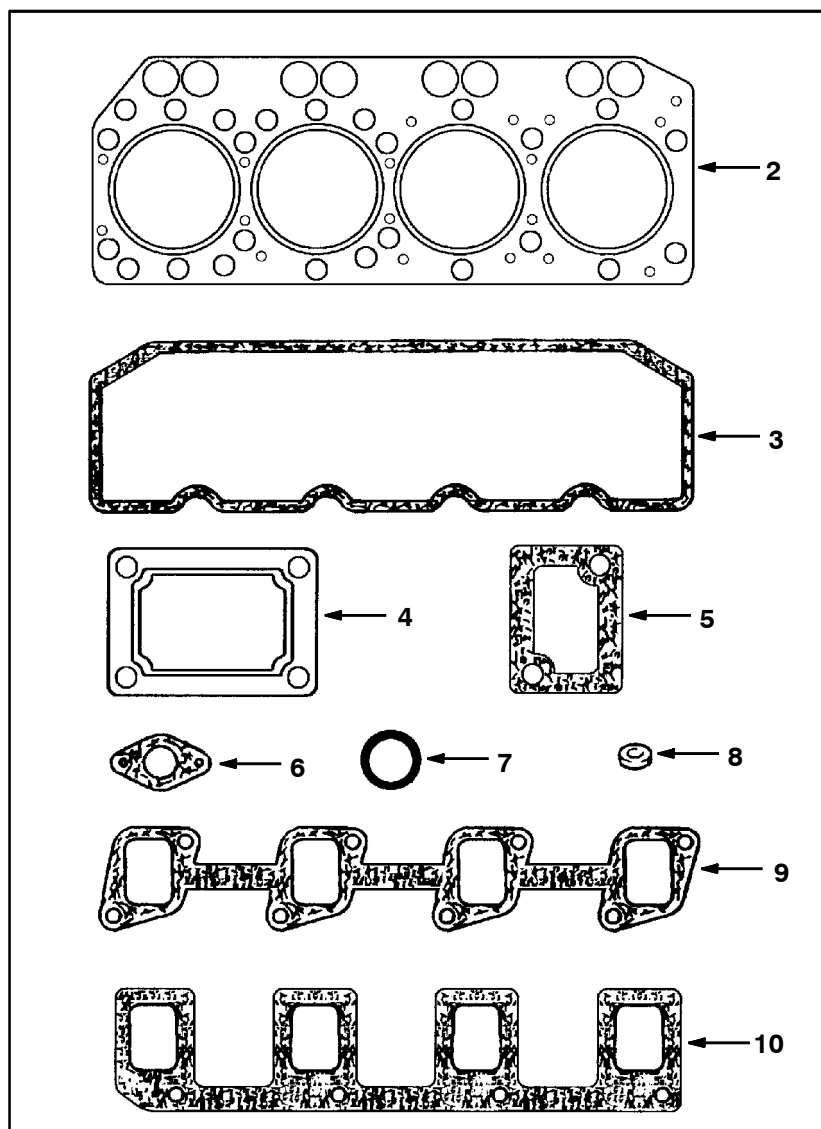
Fig. 17 - Glow Plug and Engine Lift Group



351117 - D

Ref.	Part No.	Description	Qty.
1	369131	Glow Plug	4
2	369258	Cable	3
3	369223	Plate	2
4	764408	Screw	4

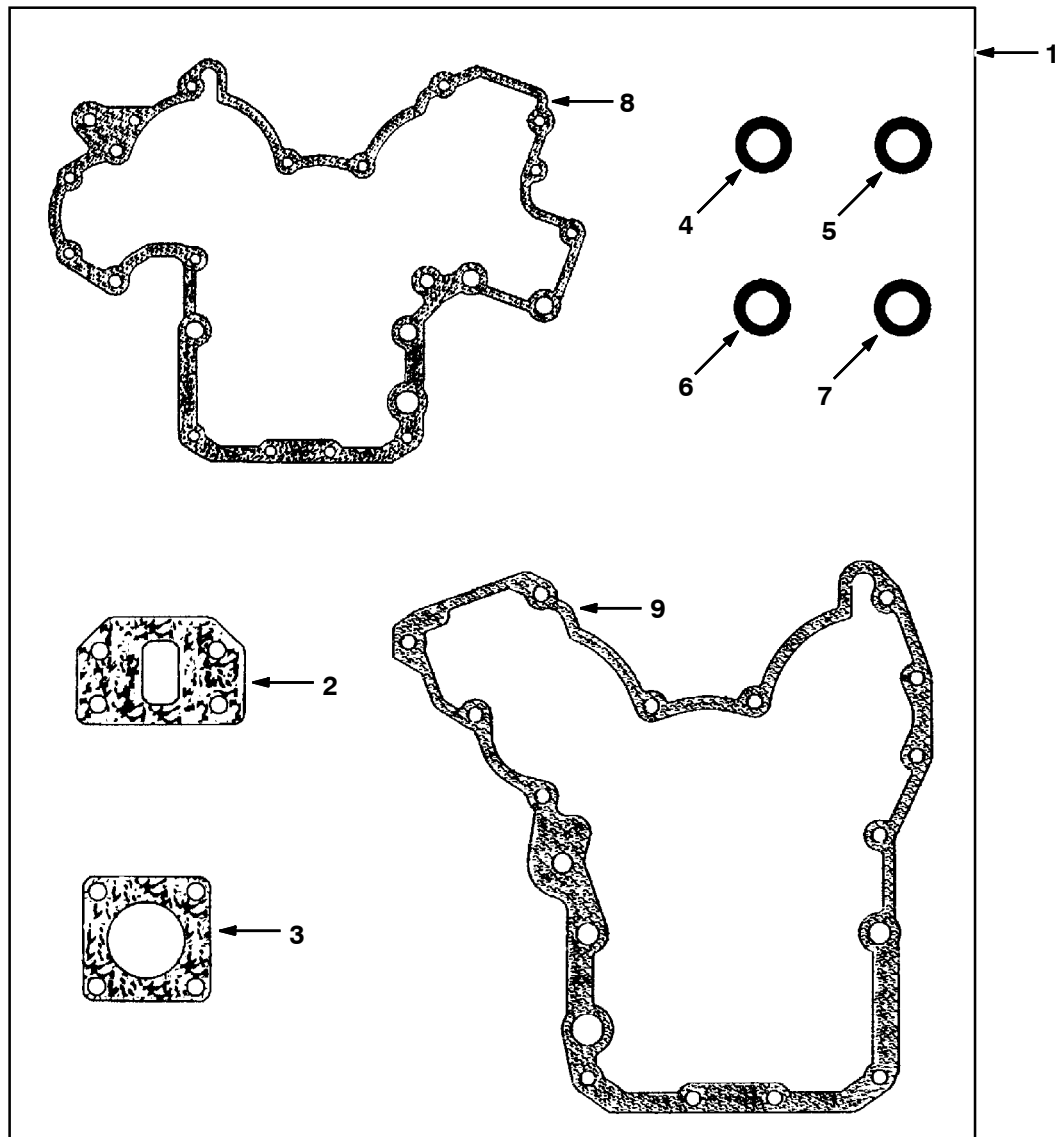
Fig. 18 - Top Joints and Gaskets Group



351119 - D

Ref.	Part No.	Description	Qty.
▽	1 369285	Joint/Gasket	1
▲	2 369228	Head Gasket	1
▲	3 369227	Joint	1
▲	4 369233	Joint	1
▲	5 369234	Gasket	1
▲	6 369230	Joint	1
▲	7 369030	O-Ring	4
▲	8 369259	Washer	4
▲	9 369229	Joint	1
▲	10 369278	Joint	1

Fig. 19 - Bottom Joints and Gaskets Group



351121 - D

Ref.	Part No.	Description	Qty.	
▽	1	369283	Joint/Gasket Kit	1
▲	2	21796	Gasket	1
▲	3	369232	Joint	1
▲	4	369027	O-Ring	1
▲	5	369009	Washer	1
▲	6	369028	O-Ring	1
▲	7	369029	O-Ring	1
▲	8	369235	Joint	1
▲	9	369236	Joint	1

SECTION 6

Contents	Page
Fig. 1 - Cylinder Block Group	6-2
Fig. 2 - Crankshaft and Piston Group	6-4
Fig. 3 - Cylinder Head and Cover Group	6-6
Fig. 4 - Valve and Rocker Arm Group	6-8
Fig. 5 - Camshaft Group	6-9
Fig. 6 - Front Housing and Gear Group	6-10
Fig. 7 - Flywheel Housing and Starter Group ..	6-12
Fig. 8 - Auxiliary Drive Group	6-13
Fig. 9 - Oil Pan Group	6-14
Fig. 10 - Water Pump and Thermostat Group ..	6-16
Fig. 11 - Cooler Group	6-18
Fig. 12 - Manifold Group	6-20
Fig. 13 - Fuel Group	6-22
Fig. 14 - Fumes Disposal Group	6-24
Fig. 15 - Alternator Group	6-26
Fig. 16 - Glow Plug Group	6-27

Fig. 1 - Cylinder Block Group

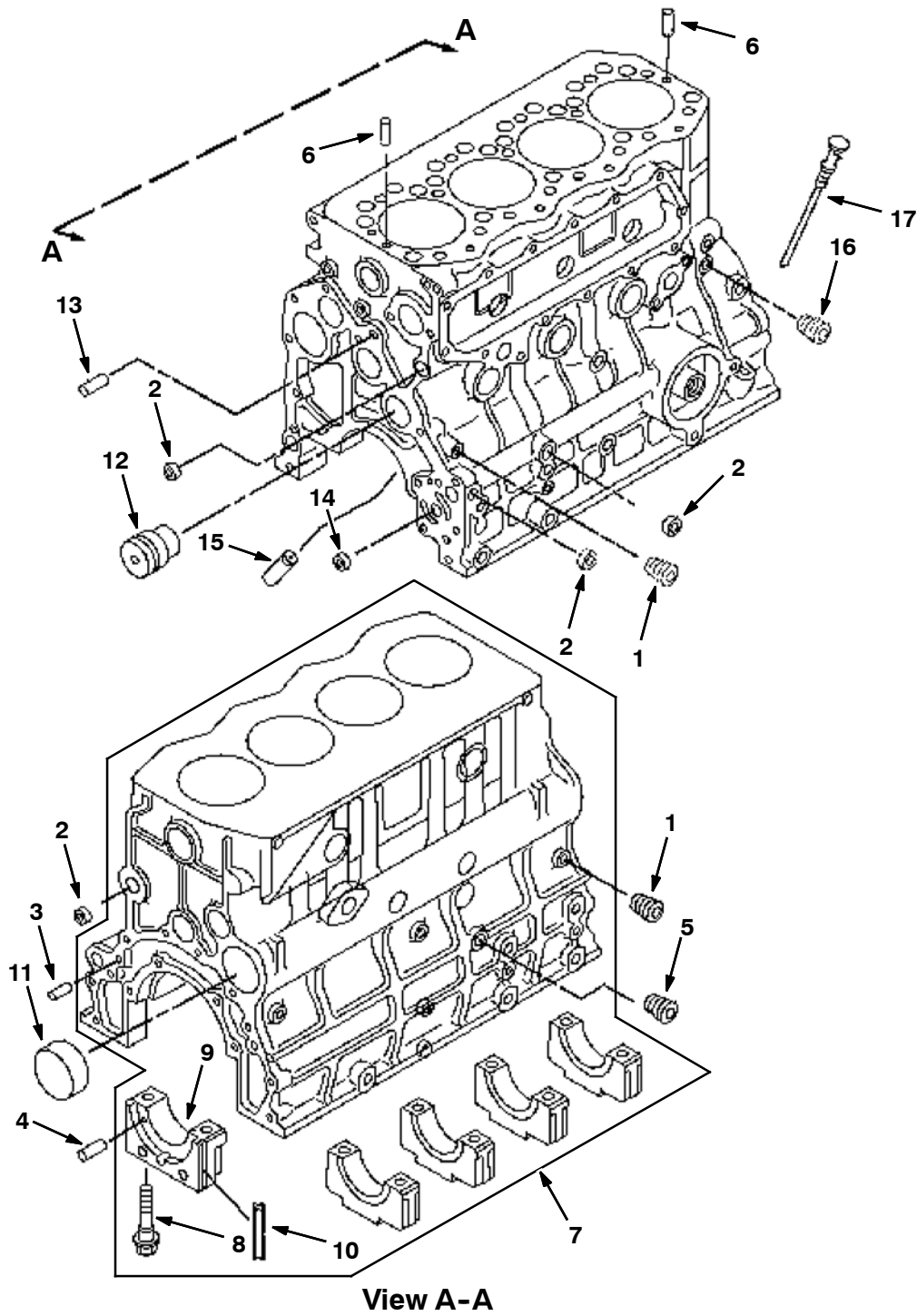


Fig. 1 - Cylinder Block Group

Ref.	Part No.	Description	Qty.	
1	372706	Plug	5	
2	372707	Cap	6	
3	372708	Pin	2	
4	372709	Pin, Spring	6	
5	372710	Plug	1	
6	372711	Pin	2	
▽	7	372712	Block Group, Cyl	1
▲	8	372713	Screw	10
▲	9	372714	Cap	10
▲	10	372715	Seal	2
11	372716	Plug	1	
12	372717	Shaft, Idler	1	
13	372718	Pin	2	
14	372719	Bushing	1	
15	372720	Tube, Cooling, Oil	4	
16	372721	Plug, Coolant, Eng	1	
17	372818	Dipstick, Oil, Eng	1	
	372934	Seal, Ds	1	
	372935	Tube, Ds	1	
	372936	Guide, Ds	1	

Fig. 2 - Crankshaft and Piston Group

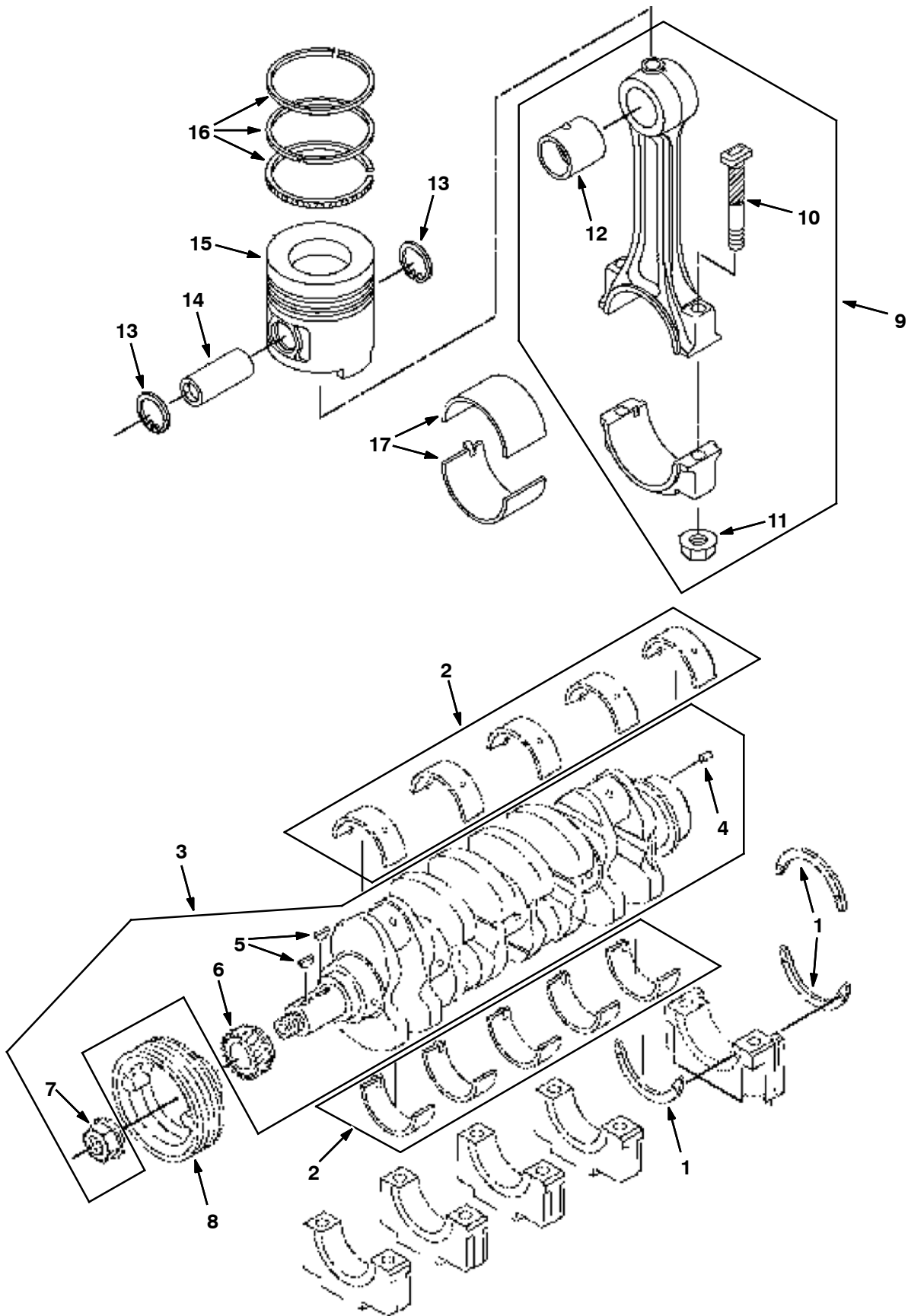


Fig. 2 - Crankshaft and Piston Group

Ref.	Part No.	Description	Qty.
1	372697	Plate, Thrust, Std	3
	372698	Plate, Thrust [+0.15mm]	3
2	372699	Bearing, Rod, Connecting	1
	372700	Bearing [-0.50mm]	1
	372701	Bearing [0.50mm]	1
	372702	Plate, Thrust [+0.30mm]	3
▽	3	372703 Crankshaft Assy	1
▲	4	372704 Pin	2
▲	5	372691 Key	2
▲	6	372705 Gear, 23 Tooth	1
▲	7	372797 Nut	1
	8	372798 Pulley, Crankshaft	1
▽	9	372737 Rod Assy, Connecting	4
▲	10	372738 Bolt, Rod, Connecting	2
▲	11	372739 Nut	2
▲	12	372740 Bushing	1
	13	372741 Ring	8
	14	372742 Pin	4
	15	372743 Piston, Std	4
		372744 Piston [+0.25mm]	4
		372745 Piston [+0.50mm]	4
16	372746	Ring Set, Piston, Std	4
	372747	Ring Set, Piston [+0.25mm]	4
	372748	Ring Set, Piston [+0.50mm]	4
17	372749	Bearing, Std	1
	372750	Bearing [-0.25mm]	1
	372751	Bearing [-0.50mm]	1
	372752	Bearing [-0.75mm]	1

Fig. 3 - Cylinder Head and Cover Group

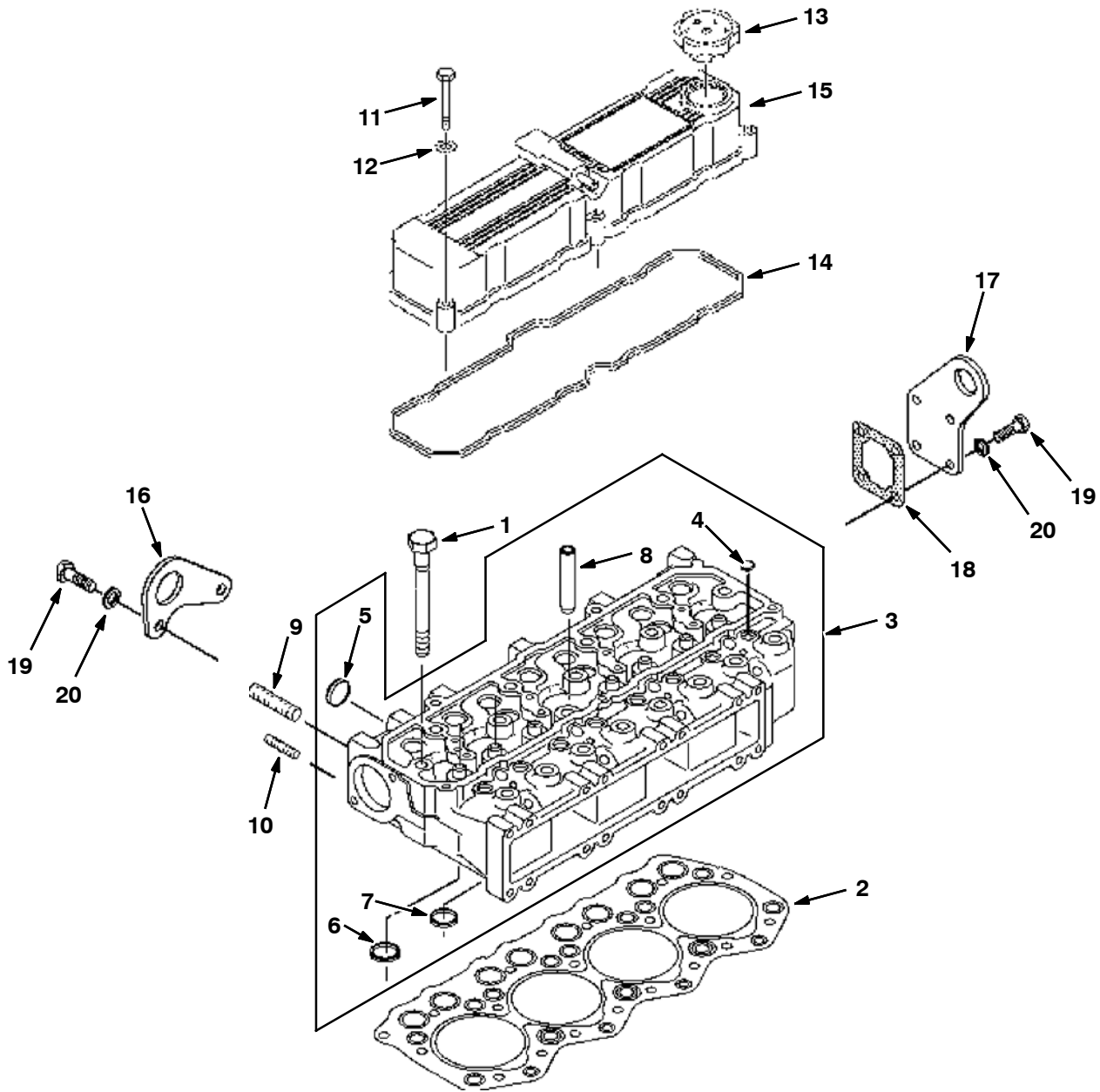
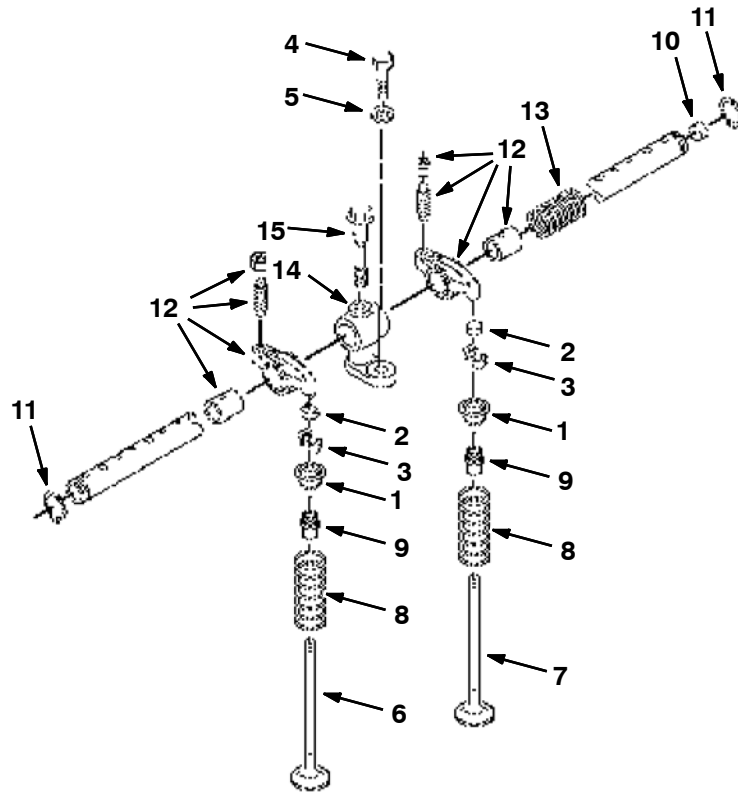


Fig. 3 - Cylinder Head and Cover Group

	Ref.	Part No.	Description	Qty.
	1	372722	Screw, Hex	17
	2	372665	Gasket, Head	1
▽	3	372723	Head Assy, Cylinder	1
▲	4	372724	Cap	8
▲	5	372725	Cap	4
▲	6	372726	Insert, Inlet	4
▲	7	372727	Insert, Exhaust	4
▲	8	372728	Guide	8
	9	372729	Stud	1
	10	372730	Stud	1
	11	41342	Screw, Hex, M8 X 1.25 X 40mm	5
	12	39349	Washer, 8.8mm X 16mm X 2mm	5
	13	372796	Cap, Filler, Oil	1
	14	372664	Gasket, Cover, Valve	1
	15	372696	Cover	1
	16	372938	Plate, Lift, Front	1
	17	372939	Plate, Lift, Rear	1
	18	372940	Gasket, Head, Rear	1
	19	16931	Screw, Hex, M8 X 1.25 X 20, 8.8	2
	20	32491	Washer, Flat, 0.31 Std	2

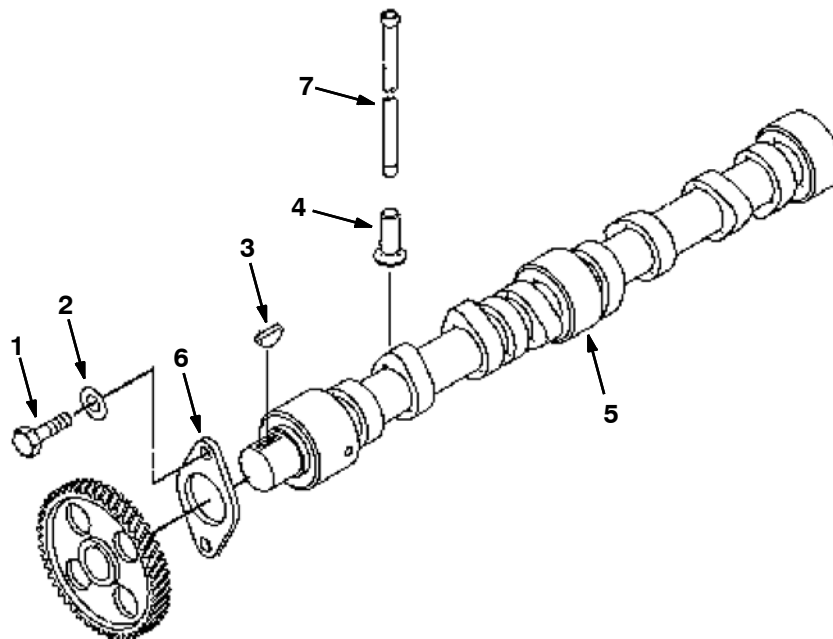
Fig. 4 - Valve and Rocker Arm Group



D

Ref.	Part No.	Description	Qty.	
1	372753	Retainer	8	
2	372754	Cap	8	
3	372767	Retainer	16	
4	39277	Screw, Hex, M8 X 1.25 X 25, 8.8	4	
5	39349	Washer, Flat, 0.31 Sae	4	
6	372755	Valve, Inlet	4	
7	372756	Valve, Exhaust	4	
8	372757	Spring, Valve	8	
9	372758	Seal	8	
▽	372760	Shaft Assy	1	
▲	10	372761	Cap	1
	11	372762	Ring, Snap	2
	12	372763	Arm, Rocker	8
	13	372764	Spring	3
	14	372765	Bracket	4
	15	372766	Bolt, Bracket	4

Fig. 5 - Camshaft Group



D

Ref.	Part No.	Description	Qty.
1	16735	Screw, Hex, M8 X 1.25 X 16mm	2
2	39349	Washer, Flat, 0.31 Sae	2
3	372691	Key	1
4	372692	Tappet	8
5	372693	Camshaft	1
6	372694	Plate, Thrust	1
7	372695	Rod, Push	8

Fig. 6 - Front Housing and Gear Group

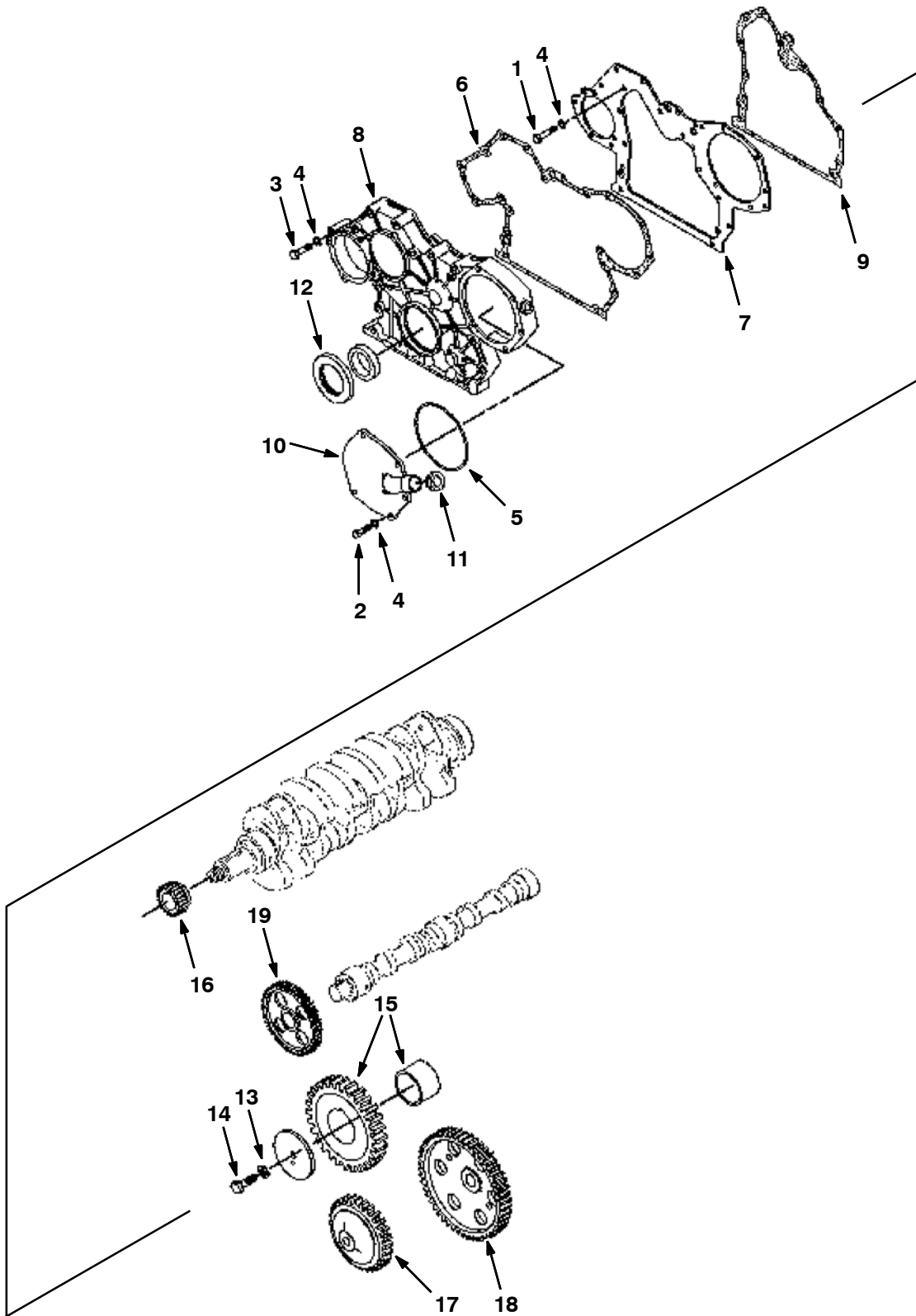
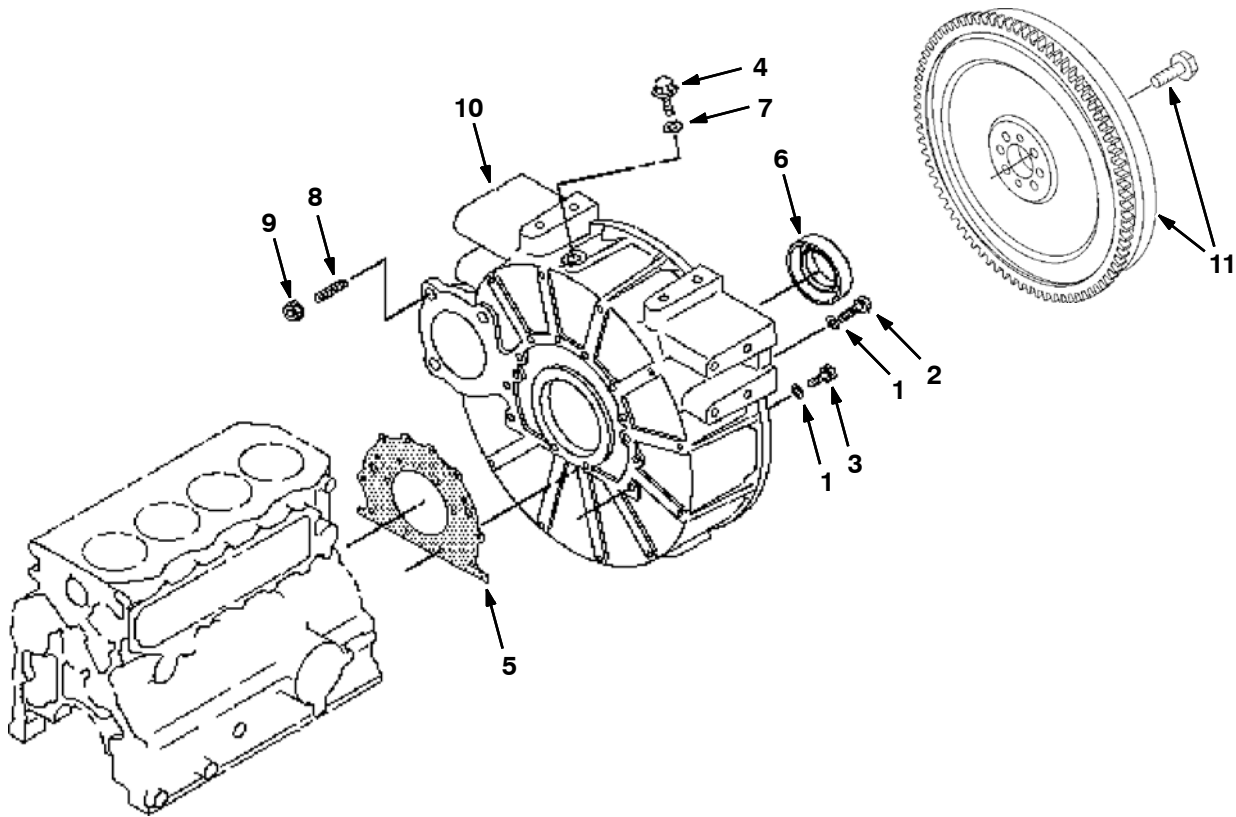


Fig. 6 - Front Housing and Gear Group

Ref.	Part No.	Description	Qty.
1	372788	Screw, Hex	5
2	16735	Screw, Hex, M8 X 1.25 X 16, 8.8	5
3	372789	Screw, Hex	13
4	39349	Washer, Flat, 0.31 Sae	23
5	372790	Seal, Org	1
6	372684	Gasket	1
7	372791	Plate	1
8	372792	Housing, Gear	1
9	372685	Gasket, Plate, Front	1
10	372793	Cover, Gear	1
11	372794	Cap, Filler	1
12	372795	Seal, Crank, Front	1
13	32492	Washer, Flat, 0.38 Std	1
14	06962	Screw, Hex, M10 X 1.5 X 45, 8.8	1
15	372775	Gear, Idler	1
16	372776	Gear	1
17	372777	Gear	1
18	372778	Gear	1
19	372779	Gear, Injection, Fuel	1

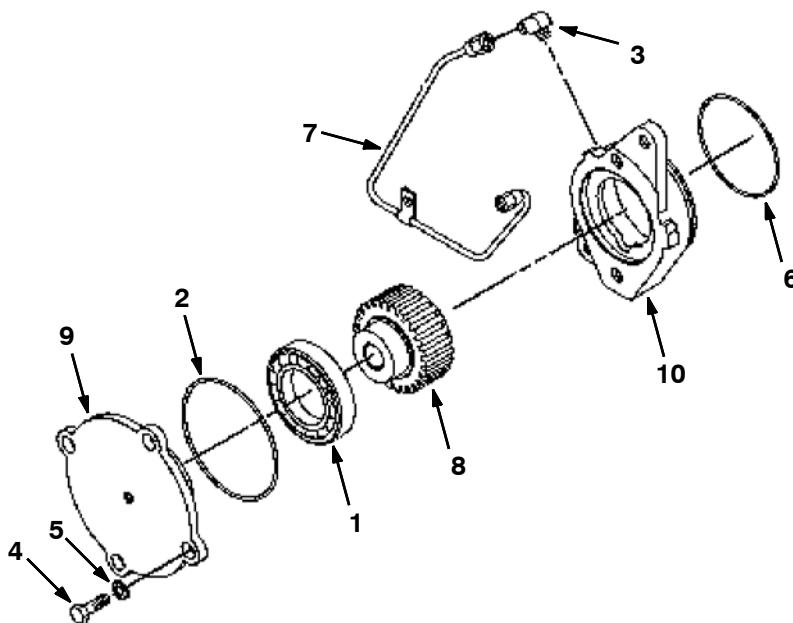
Fig. 7 - Flywheel Housing and Starter Group



D

Ref.	Part No.	Description	Qty.
1	32492	Washer, Flat, 0.38 Std	12
2	39283	Screw, Hex, M10 X 1.5 X 25, 8.8	10
3	03192	Screw, Hex, M10 X 1.5 X 30, 8.8	2
4	372732	Plug	1
5	372666	Gasket, Rear	1
6	372733	Seal	1
7	372667	Gasket	1
8	372734	Stud	3
9	372735	Nut	3
10	372736	Housing, Flywheel	1
11	372731	Flywheel	1
	372660	Starter	1

Fig. 8 - Auxiliary Drive Group



Ref.	Part No.	Description	Qty.
1	372780	Bearing, Ball	3
2	372781	Seal, Org	1
3	372782	Fitting, Elbow	2
4	16735	Screw, Hex, M8 X 1.25 X 16, 8.8	7
5	39349	Washer, Flat, 0.31 Sae	7
6	372783	Seal, Org	2
7	372784	Tube	1
8	372785	Gear [Power Take Off]	1
9	372786	Housing, Brg	2
10	372787	Housing, Brg	1

D

Fig. 9 - Oil Pan Group

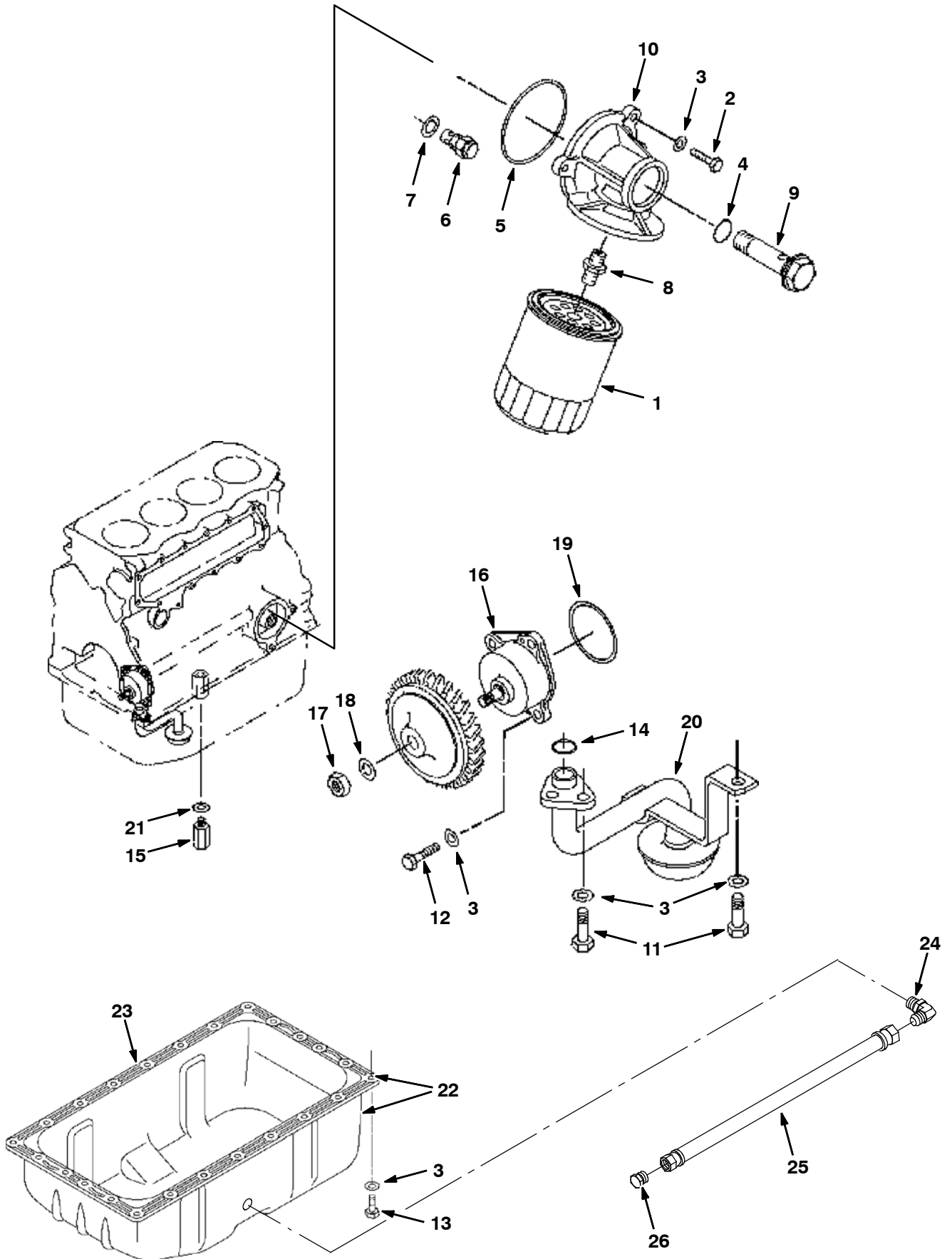


Fig. 9 - Oil Pan Group

Ref.	Part No.	Description	Qty.	
1	372654	Filter, Oil, Eng	1	
2	39277	Screw, Hex, M8 X 1.25 X 25, 8.8	1	
3	39349	Washer, Flat, 0.31 Sae	33	
4	372803	Seal, Org	1	
5	372804	Seal, Org	1	
6	372805	Valve, Relief	1	
7	372669	Gasket	1	
8	372806	Fitting, Str	1	
9	372807	Screw	1	
10	372808	Bracket	1	
11	16735	Screw, Hex, M8 X 1.25 X 16, 8.8	3	
12	16931	Screw, Hex, M8 X 1.25 X 20, 8.8	4	
13	16735	Screw, Hex, M8 X 1.25 X 16, 8.8	25	
14	372809	Seal, Org	1	
15	372810	Valve, Relief, Press, Eng Oil	1	
16	372768	Pump, Oil	1	
17	372769	Nut	1	
18	32492	Washer, Flat, 0.38 Std	1	
19	372770	Seal, Org	1	
20	372771	Strainer, Oil	1	
21	372670	Gasket	1	
▽	22	372800	Pan, Oil, W/ Gasket	1
▲		372801	Plug	1
▲	23	372668	Gasket	1
	24	1046796	Fitting, Hyd, E90, Metric, Spcl	1
	25	365000	Hose, Hyd, Low06, Jf06str/Jf06str, 037.0	1
	26	19747	Fitting, Hyd, Plug, Jm06	1

Fig. 10 - Water Pump and Thermostat Group

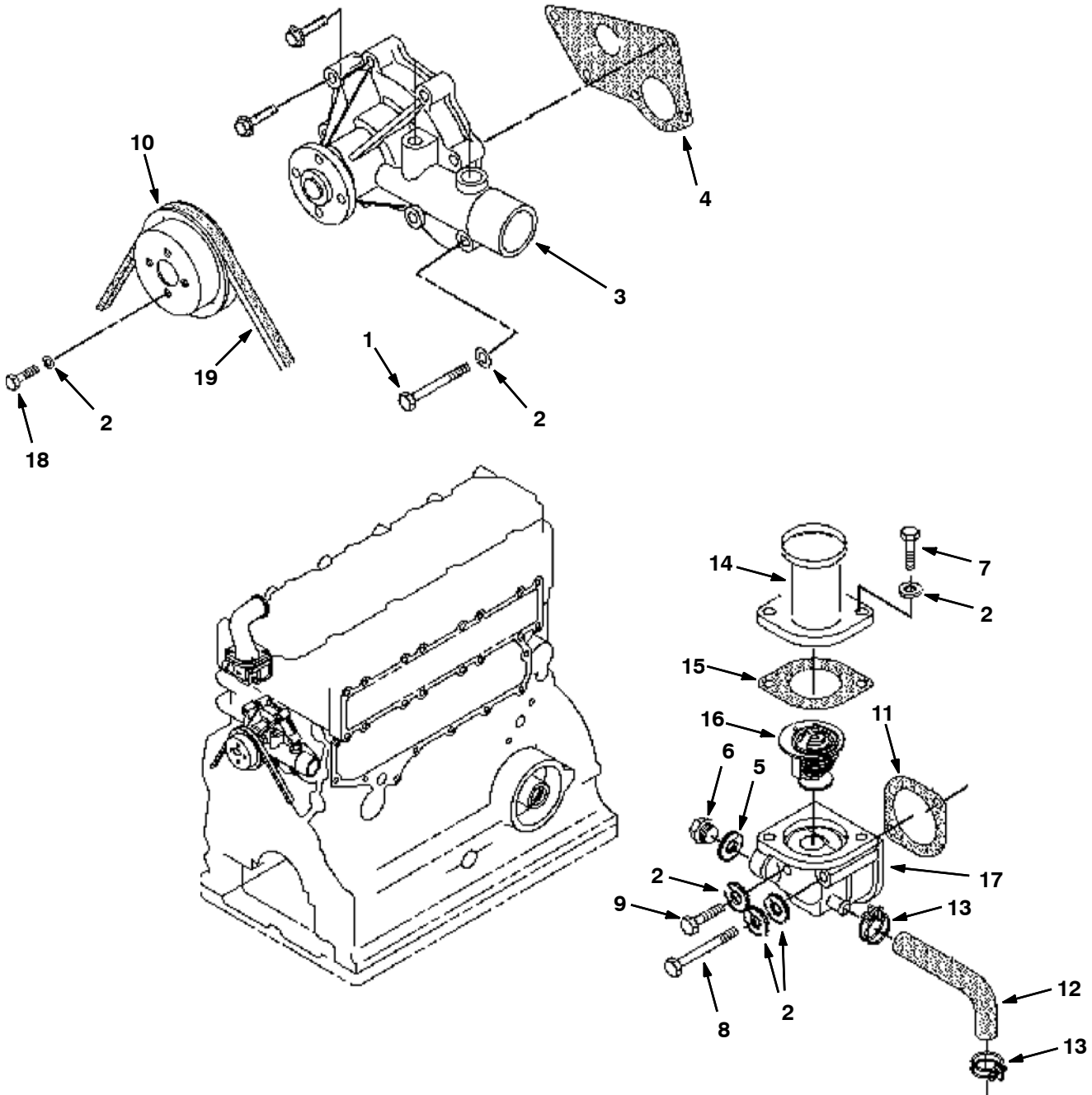


Fig. 10 - Water Pump and Thermostat Group

Ref.	Part No.	Description	Qty.
1	06956	Screw, Hex, M8 X 1.25 X 45mm	5
2	39349	Washer, Flat, 0.31 Sae	14
3	372832	① Pump, Water	1
3	9003796	② Pump, Water	1
4	372676	Gasket	1
5	372667	Gasket	2
6	372732	Plug	2
7	39277	Screw, Hex, M8 X 1.25 X 25, 8.8	2
8	06958	Screw, Hex, M8 X 1.25 X 80, 8.8	1
9	06956	Screw, Hex, M8 X 1.25 X 45, 8.8	1
10	372802	Pulley	1
11	372673	Gasket	1
12	372686	① Hose	1
12	9004033	② Hose	1
13	372812	① Clamp, Hose	2
13	9004034	② Clamp, Hose	2
14	372813	Cover, Thermostat	1
15	372674	Gasket, Coolant	1
16	372814	Thermostat, Coolant	1
17	372815	① Regulator, Temp, Coolant	1
17	9004035	② Regulator, Temp, Coolant	1
18	372853	Screw, Hex, M8 X 1.25 X 14mm	4
19	372653	Belt, Pump, Water	1

① Engine Serial number (00000000-34400832)

② Engine Serial number (34400833-)

Fig. 11 - Cooler Group

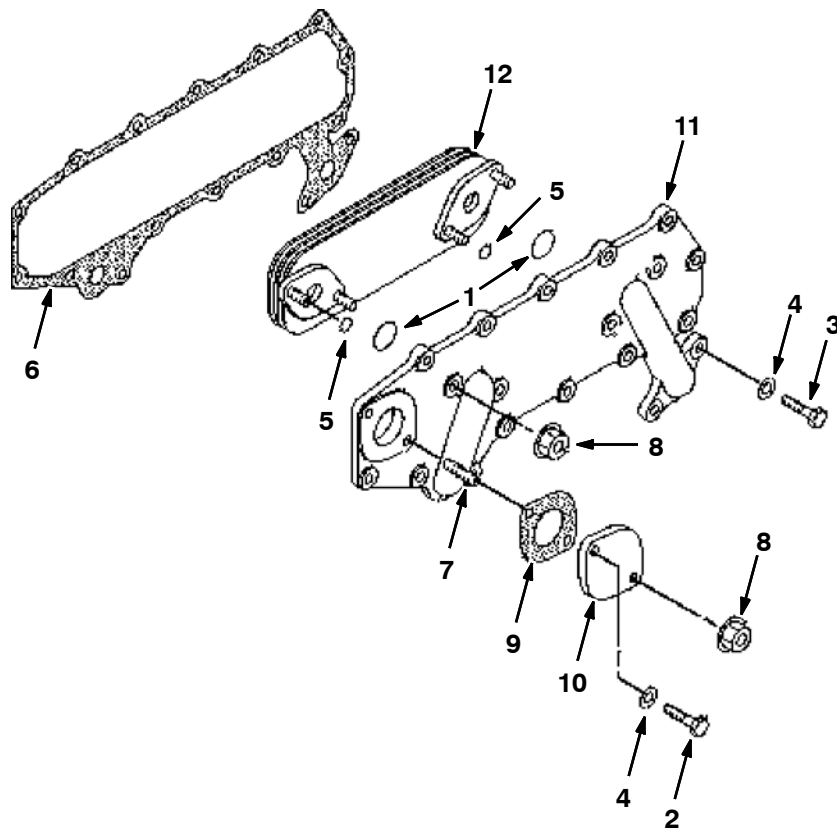


Fig. 11 - Cooler Group

Ref.	Part No.	Description	Qty.
1	372825	Seal, Org	2
2	76570	Screw, Hex, M8 X 1.25 X 30, 8.8	1
3	39277	Screw, Hex, M8 X 1.25 X 25, 8.8	11
4	39349	Washer, Flat, 0.31 Sae	12
5	372826	Seal, Org	4
6	372671	Gasket, Cover, Side	1
7	372827	Stud	1
8	372828	Nut	5
9	372672	Gasket, Heater, Water	1
10	372829	Cover	1
11	372830	Cover	1
12	372831	Cooler	1

Fig. 12 - Manifold Group

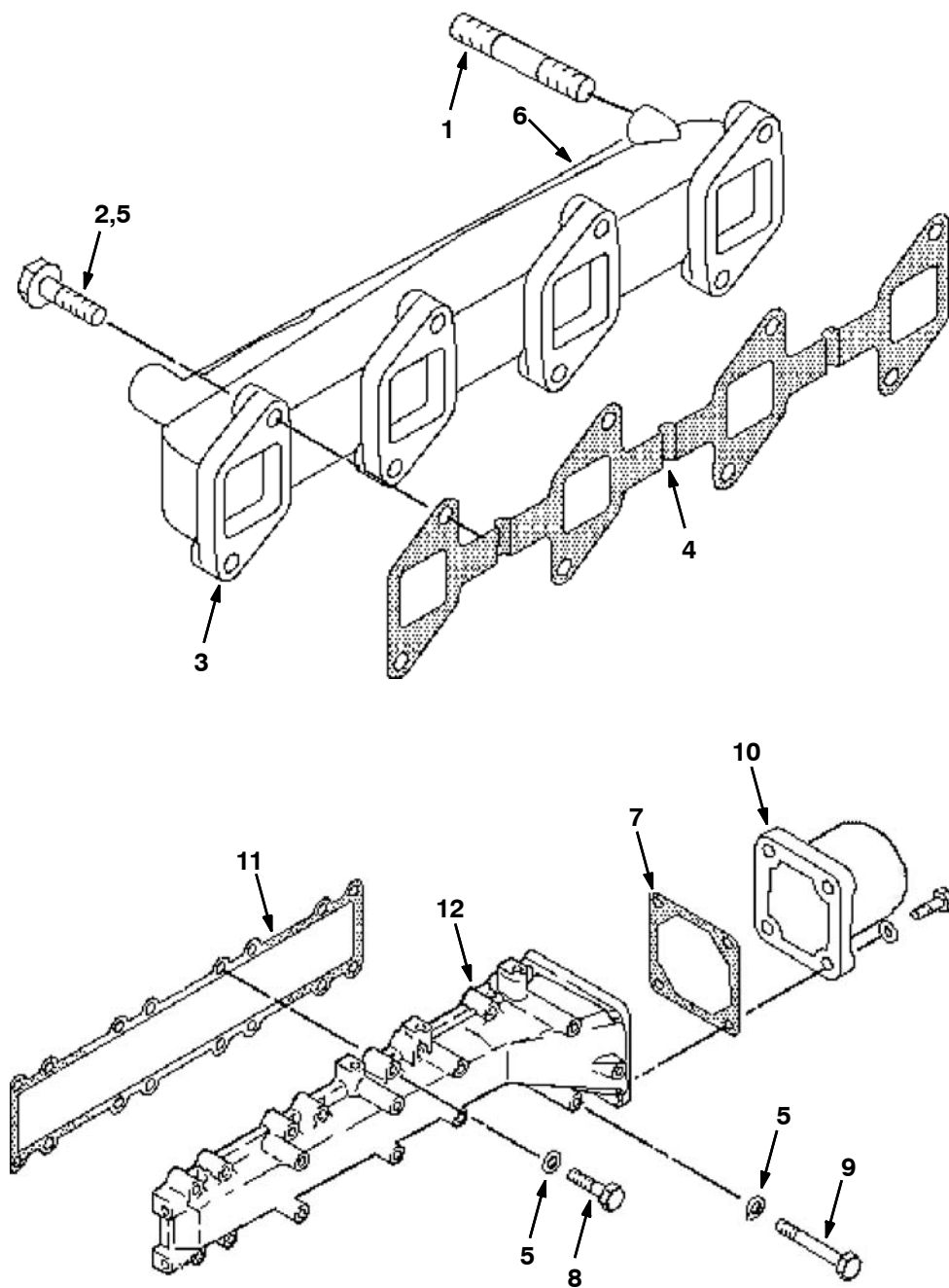


Fig. 12 - Manifold Group

Ref.	Part No.	Description	Qty.
1	372661	Stud	4
2	372662	Screw, Hex	8
3	372663	Manifold, Exhaust	1
4	372677	Gasket, Manifold	1
5	39349	Washer, Flat, 0.31 Sae	26
6	372678	Gasket, Exhaust	1
7	372679	Gasket	1
8	39281	Screw, Hex, M8 X 1.25 X 90, 8.8	2
9	41342	Screw, Hex, M8 X 1.25 X 40, 8.8	14
10	372817	Fitting, Elbow	1
11	372680	Gasket	1
12	372816	Manifold, Inlet	1

Fig. 13 - Fuel Group

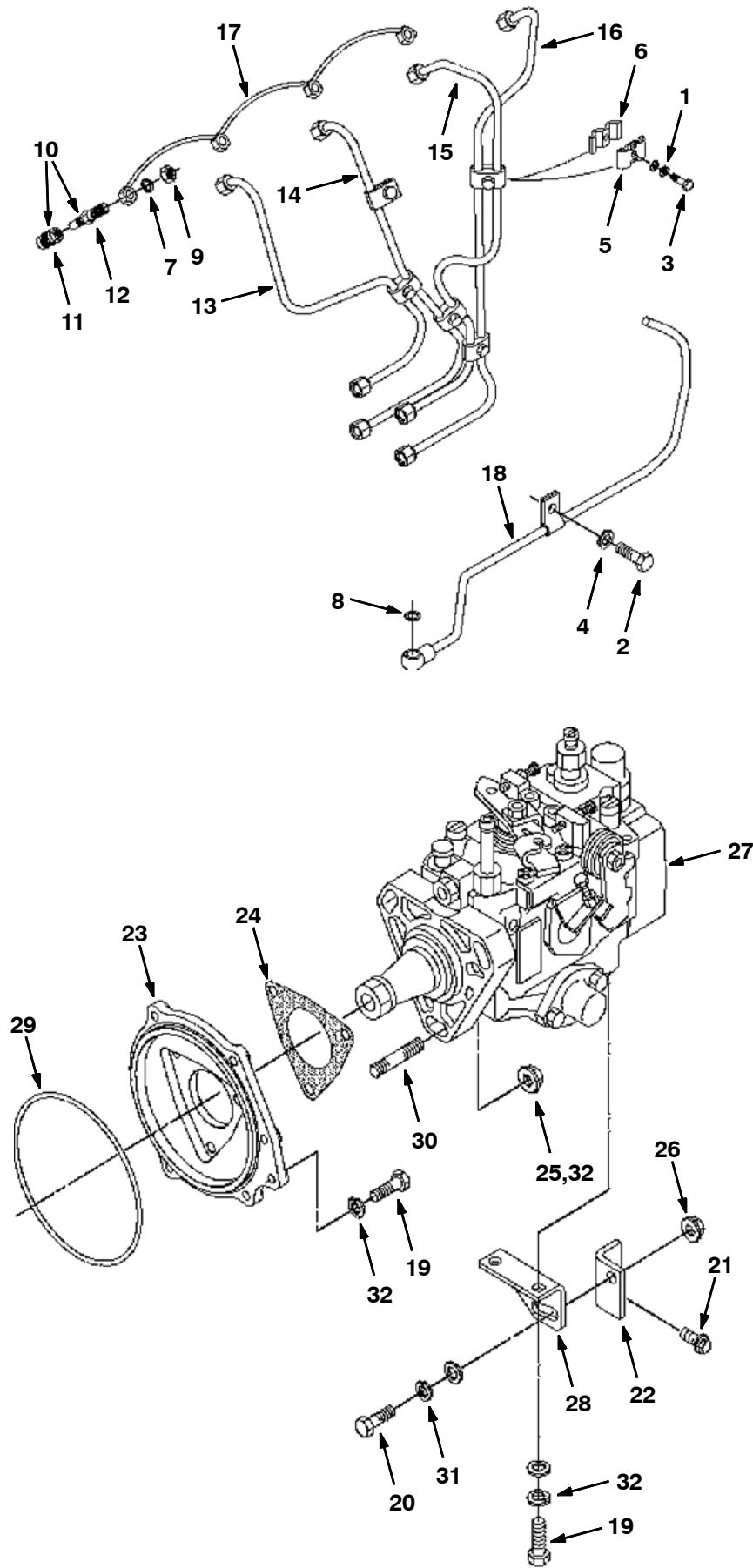


Fig. 13 - Fuel Group

Ref.	Part No.	Description	Qty.
1	32483	Washer, 7.2mm X 14.5mm X 2mm	3
2	16735	Screw, Hex, M8 X 1.25 X 16, 8.8	1
3	06944	Screw, Hex, M6 X 1.0 X 25, 8.8	3
4	39349	Washer, Flat, 0.31 Sae	1
5	372841	Clamp	3
6	372842	Clamp	3
7	372681	Gasket	4
8	372682	Gasket	4
9	372843	Nut	4
∇	10 372844	Nozzle Assy	1
▲	11 372845	Mount, Nozzle	4
▲	12 372852	Cap, Nozzle	4
	13 372846	Fueline, Cyl #1	1
	14 372847	Fueline, Cyl #2	1
	15 372848	Fueline, Cyl #3	1
	16 372849	Fueline, Cyl #4	1
	17 372850	Fueline, Bleeder	1
	18 372851	Fueline, Return	1
	19 16931	Screw, Hex, M8 X 1.25 X 20, 8.8	1
	20 06961	Screw, Hex, M10 X 1.5 X 20, 8.8	2
	21 372834	Screw, Hex	1
	22 372835	Bracket	1
	23 372836	Flange	1
	24 372683	Gasket	1
	25 372854	Nut, Hex, M8 X 1.25	3
	26 372735	Nut	1
	27 372837	Pump, Injection, Fuel	1
	28 372838	Retainer	1
	29 372839	Seal, Org	1
	30 372840	Stud	3
	31 32492	Washer, Flat, 0.38 Std	2
	32 39349	Washer, Flat, 0.31 Sae	4

Fig. 14 - Fumes Disposal Group

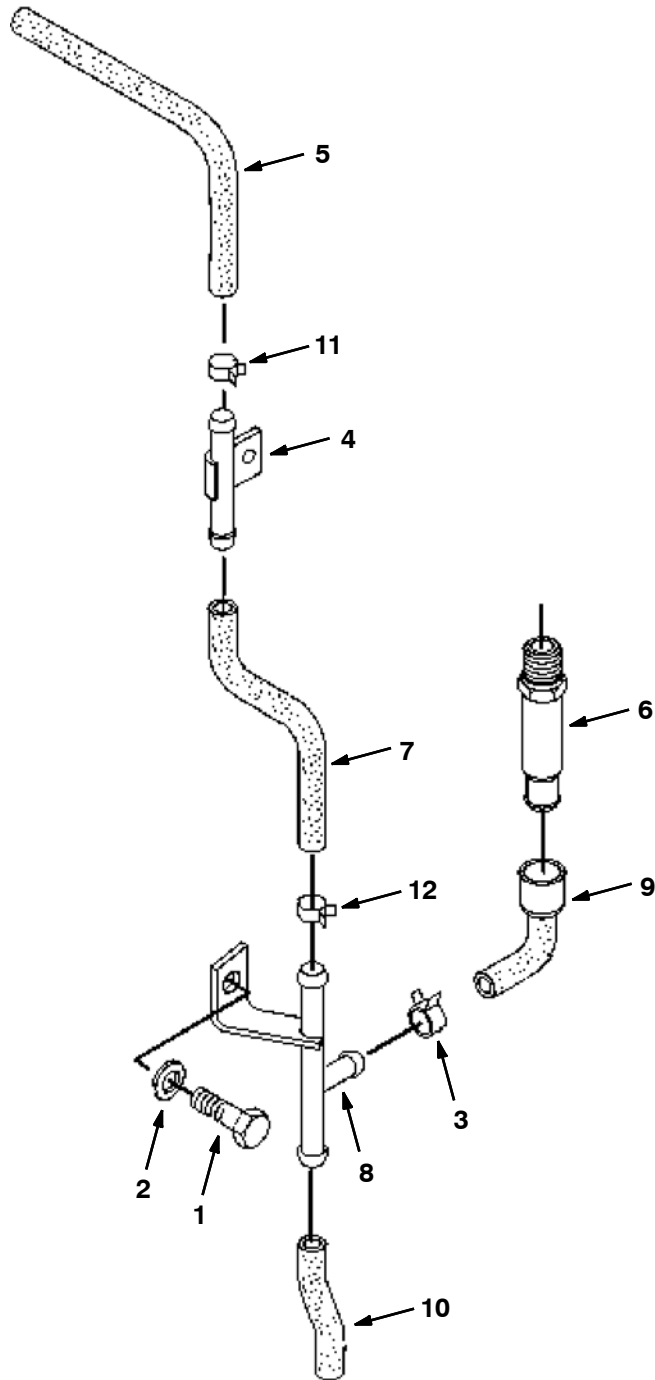
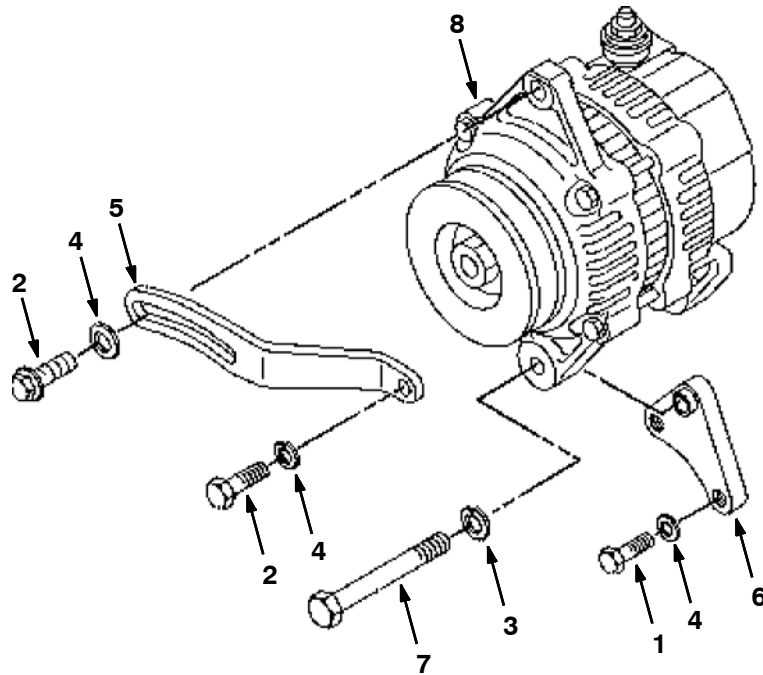


Fig. 14 - Fumes Disposal Group

Ref.	Part No.	Description	Qty.
1	39277	Screw, Hex, M8 X 1.25 X 25mm	1
2	39349	Washer, Flat, 0.31 Sae	1
3	372819	Clip	6
4	372820	Pipe	1
5	372687	Hose, Breather	1
6	372821	Valve, Shutoff	1
7	372688	Hose, Breather	1
8	372822	Pipe, Breather	1
9	372689	Hose, Breather	1
10	372690	Hose, Breather	1
11	372823	Clip	1
12	372824	Clip	1

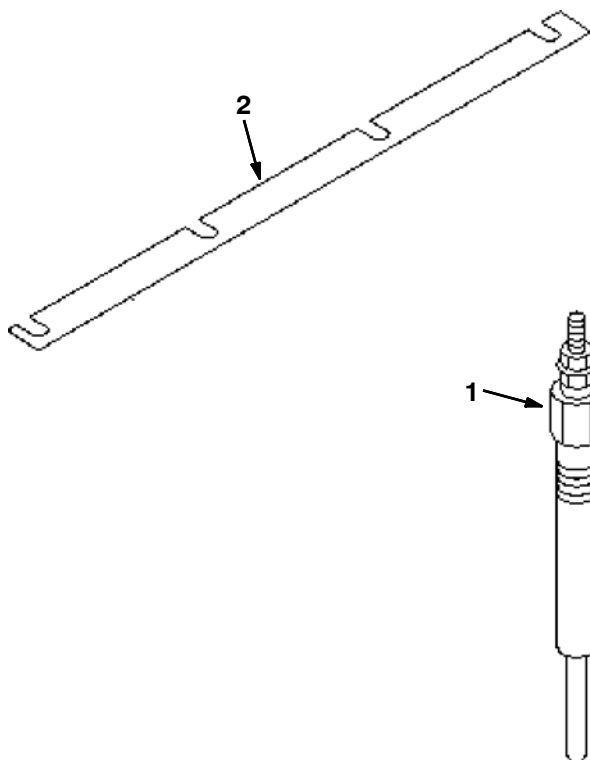
Fig. 15 - Alternator Group



D

Ref.	Part No.	Description	Qty.
1	39277	Screw, Hex, M8 X 1.25 X 25mm	1
2	16931	Screw, Hex, M8 X 1.25 X 20, 8.8	2
3	372655	Washer	1
4	39349	Washer, Flat, 0.31 Sae	3
5	372656	Plate, Adj	1
6	372657	Plate	1
7	372658	Screw, Hex	1
8	372659	Alternator	1

Fig. 16 - Glow Plug Group



Ref.	Part No.	Description	Qty.	D
1	372772	Glow Plug	4	
2	372773	Plate	1	

SECTION 7

Contents	Page
Fig. 1 - Cylinder Block Group	7-2
Fig. 2 - Crankshaft and Piston Group	7-4
Fig. 3 - Cylinder Head and Cover Group	7-6
Fig. 4 - Valve and Rocker Arm Group	7-8
Fig. 5 - Camshaft Group	7-9
Fig. 6 - Front Housing and Gear Group	7-10
Fig. 7 - Flywheel Housing and Starter Group ..	7-12
Fig. 8 - Auxiliary Drive Group	7-13
Fig. 9 - Oil Pan Group	7-14
Fig. 10 - Water Pump and Thermostat Group .	7-16
Fig. 11 - Cooler Group	7-18
Fig. 12 - Manifold Group	7-19
Fig. 13 - Fuel Group	7-20
Fig. 14 - Fumes Disposal Group	7-22
Fig. 15 - Alternator Group	7-23
Fig. 16 - Glow Plug Group	7-24

Fig. 1 - Cylinder Block Group

Ref.	Part No.	Description	Qty.	
1	372706	Plug	5	
2	9005198	Cap [Cat 08]	5	
3	372708	Pin	2	
4	372709	Pin, Spring	6	
5	372710	Plug	1	
6	9005197	Pin, Dowel [Cat 08]	2	
▽	7	9005200	Block, Cyl [Cat 08]	1
▲	8	372713	Screw	10
▲	9	9005201	Plug, Clip [Cat 08]	10
10	372715	Seal	2	
11	372716	Plug	1	
12	372717	Shaft, Idler	1	
13	372718	Pin	2	
14	372719	Bushing	1	
15	9005430	Fitting, Orifice, Jet [Cat 08]	1	
16	372721	Plug, Coolant, Eng	1	
17	9005260	Dipstick [Cat 08]	1	
18	9005199	Plug [Cat 08]	1	
19	9005257	Seal [Cat 08]	1	
20	9005259	Guide [Cat 08]	1	
21	9005258	Guide [Cat 08]	1	

Fig. 2 - Crankshaft and Piston Group

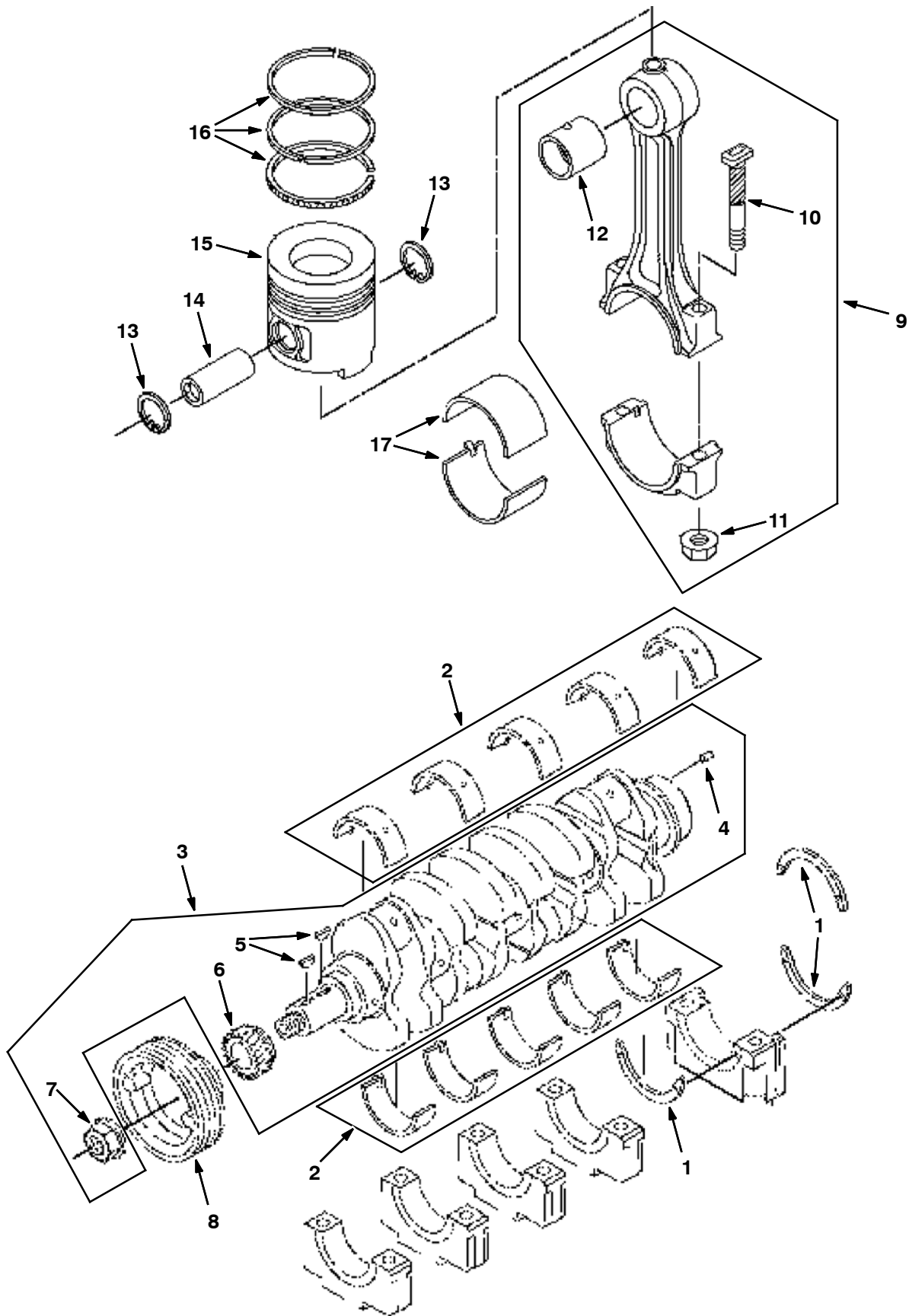


Fig. 2 - Crankshaft and Piston Group

Ref.	Part No.	Description	Qty.	
1	372697	Plate, Thrust, Std	3	
	372698	Plate, Thrust [+0.15mm]	3	
	372702	Plate, Thrust [+0.30mm]	3	
2	372699	Bearing, Rod, Connecting	1	
	9005186	Bearing, Kit [Cat 08]	1	
	9005188	Bearing, Kit [Cat 08]	1	
	9005189	Bearing, Kit [Cat 08]	1	
∇	3	9005196	Crankshaft [Cat 08]	1
▲	4	372704	Pin	2
▲	5	372691	Key	2
▲	6	372705	Gear, 23 Tooth	1
▲	7	372797	Nut	1
	8	9005262	Pulley, Cshaft [Cat 08]	1
∇	9	372737	Rod Assy, Connecting	4
▲	10	372738	Bolt, Rod, Connecting	2
▲	11	372739	Nut	2
▲	12	372740	Bushing	1
	13	9005261	Ring, Snap	8
	14	372742	Pin	4
	15	372743	Piston, Std	4
		372744	Piston [+0.25mm]	4
		372745	Piston [+0.50mm]	4
16	372746	Ring Set, Piston, Std	4	
		372747	Ring Set, Piston [+0.25mm]	4
17	372748	Ring Set, Piston [+0.50mm]	4	
		372749	Bearing, Std	1
		372750	Bearing [-0.25mm]	1
		372751	Bearing [-0.50mm]	1
		372752	Bearing [-0.75mm]	1

Fig. 3 - Cylinder Head and Cover Group

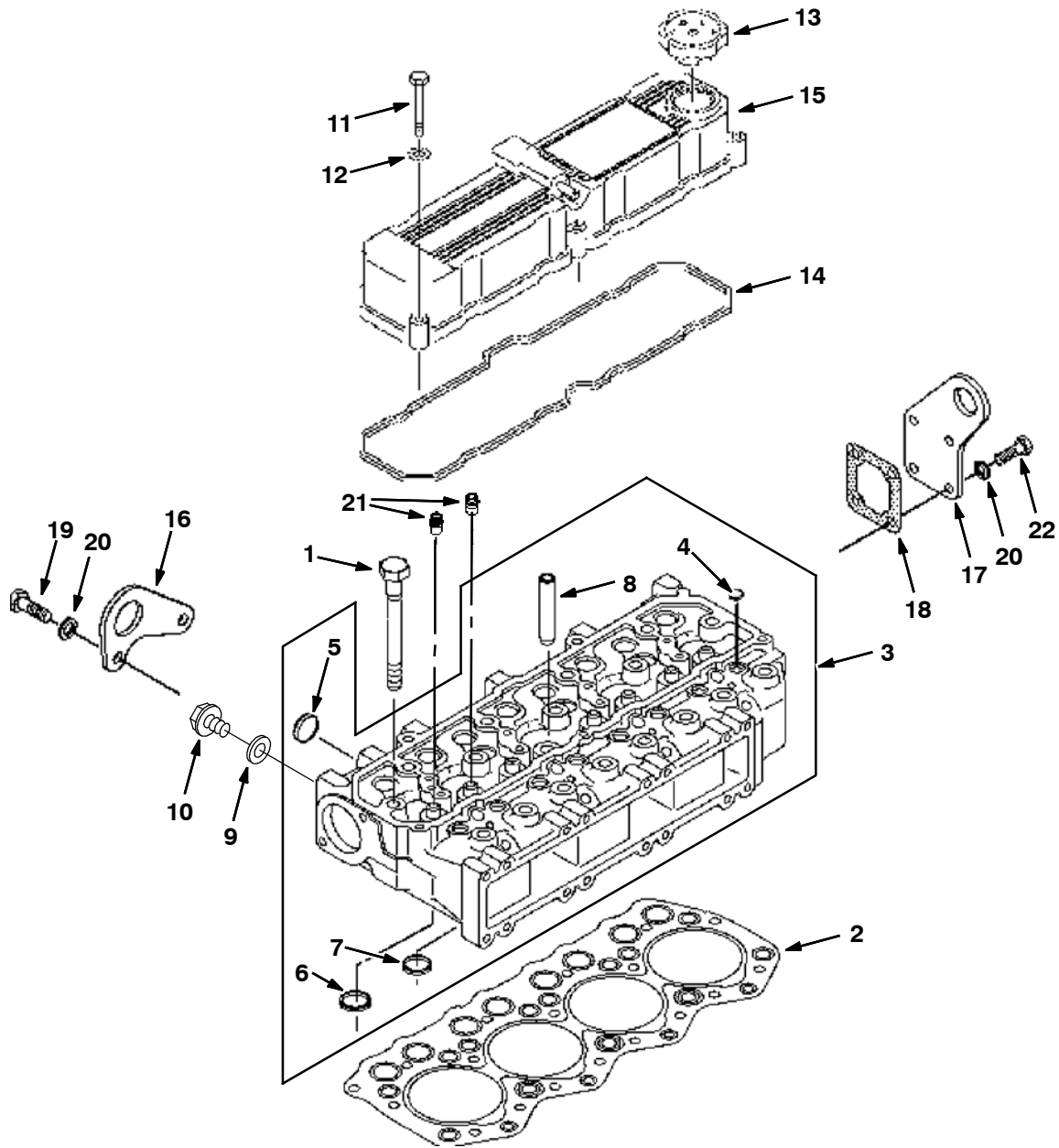
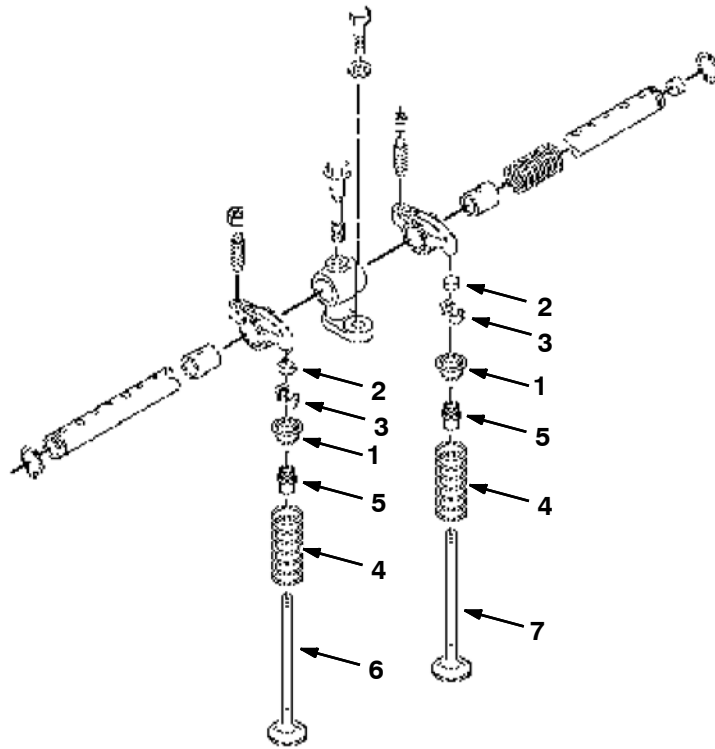


Fig. 3 - Cylinder Head and Cover Group

Ref.	Part No.	Description	Qty.	
	1	372722	Screw, Hex	17
	2	9005206	Gasket, Head [Cat 08]	1
▽	3	9005202	Head, Cyl [Cat 08]	1
▲	4	372724	Cap	8
▲	5	372725	Cap	4
▲	6	9005203	Valve, Seat [Cat 08]	4
▲	7	9005204	Valve, Seat [Cat 08]	4
▲	8	9005205	Valve, Guide [Cat 08]	8
	9	372667	Gasket	1
	10	372732	Plug	1
	11	9005195	Bolt [Cat 08]	5
	12	9005182	Washer, Hard [Cat 08]	5
	13	372796	Cap, Filler, Oil	1
	14	372664	Gasket, Cover, Valve	1
	15	372696	Cover	1
	16	372938	Plate, Lift, Front	1
	17	372939	Plate, Lift, Rear	1
	18	372940	Gasket, Head, Rear	1
	19	9005190	Bolt [Cat 08]	2
	20	9005182	Washer, Hard [Cat 08]	6
	21	9005207	Valve, Seal, Stem [Cat 08]	7
	22	9005183	Bolt [Cat 08]	4

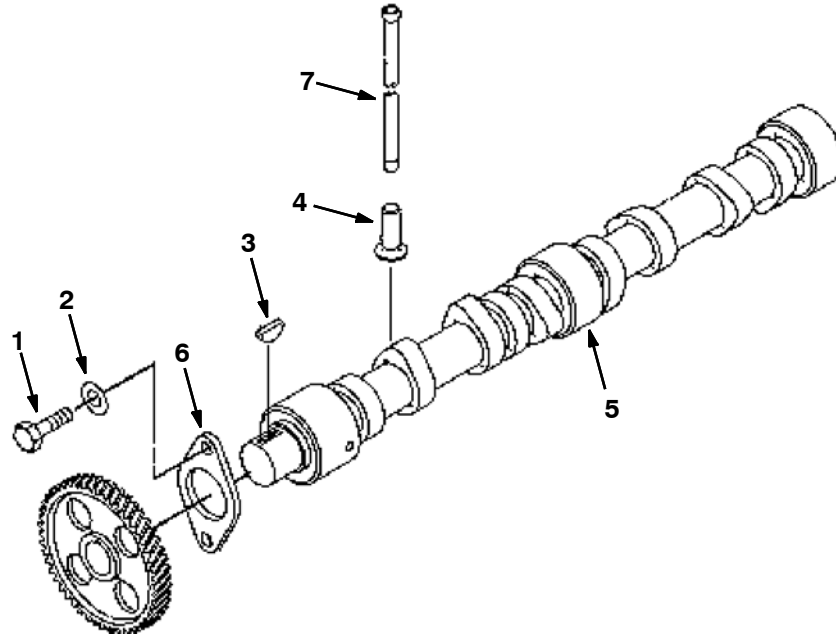
Fig. 4 - Valve and Rocker Arm Group



D

Ref.	Part No.	Description	Qty.
1	372753	Retainer	8
2	372754	Cap	8
3	372767	Retainer	16
4	9005277	Spring [Cat 08]	8
5	9005207	Valve, Seal, Stem [Cat 08]	8
6	372755	Valve, Inlet	4
7	372756	Valve, Exhaust	4

Fig. 5 - Camshaft Group



Ref.	Part No.	Description	Qty.
1	9005190	Bolt [Cat 08]	2
2	9005182	Washer, Hard [Cat 08]	2
3	372691	Key	1
4	372692	Tappet	8
5	372693	Camshaft	1
6	372694	Plate, Thrust	1
7	9005191	Rod, Push [Cat 08]	8

D

Fig. 6 - Front Housing and Gear Group

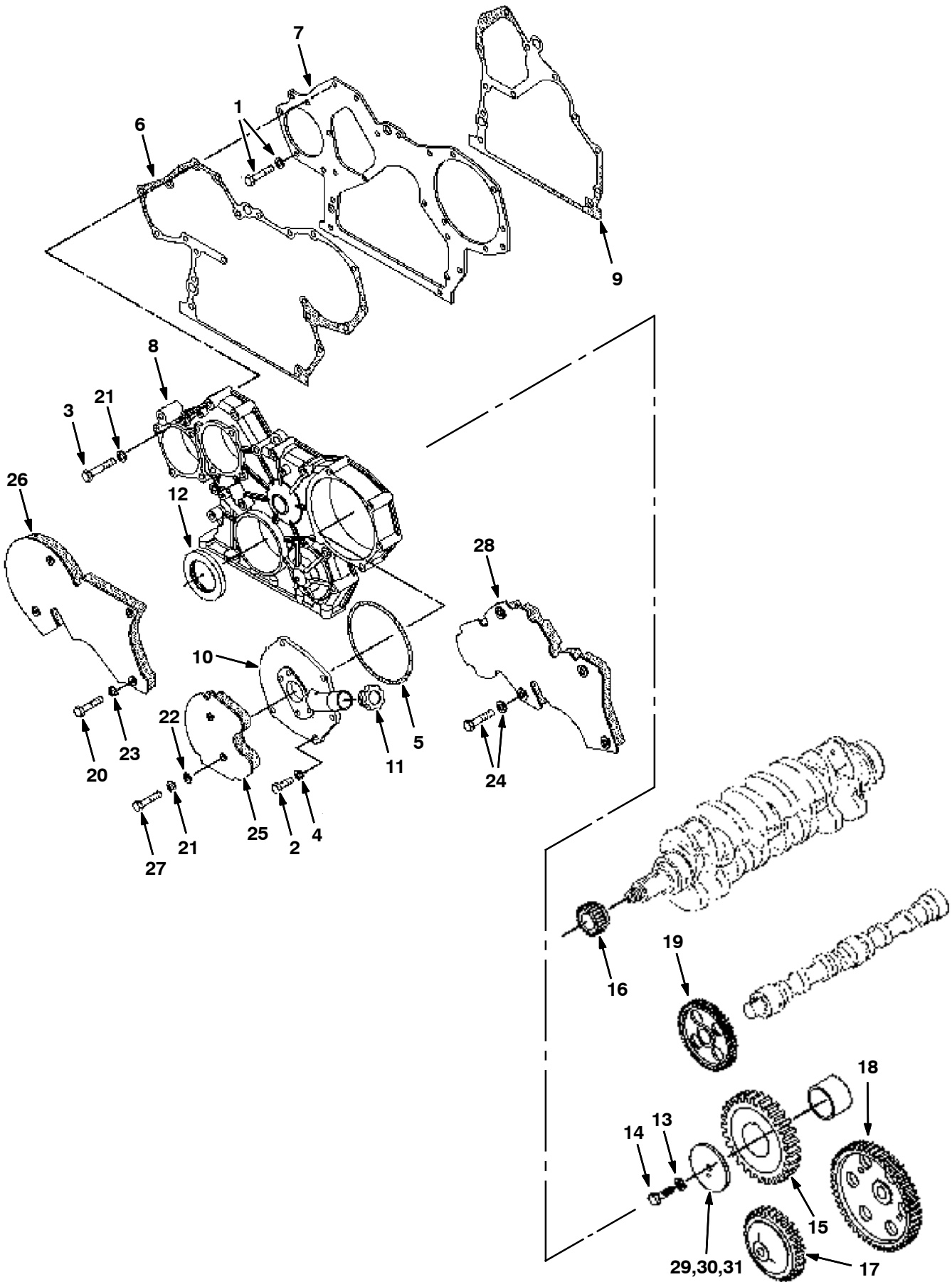
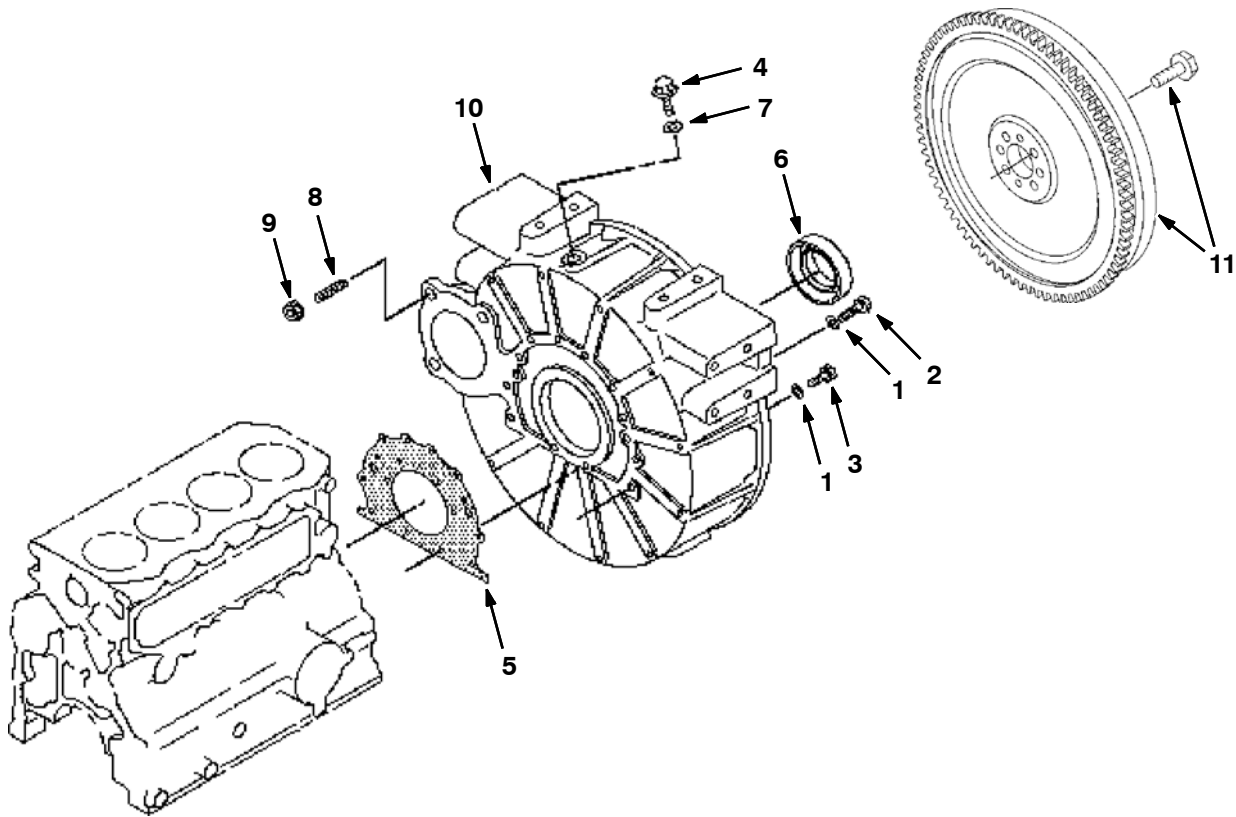


Fig. 6 - Front Housing and Gear Group

Ref.	Part No.	Description	Qty.
1	9005244	Fastener, Cover, Front [Cat 08]	5
2	9005208	Bolt [Cat 08]	5
3	372789	Screw, Hex	13
4	9005185	Washer, Lock [Cat 08]	5
5	372790	Seal, Org	1
6	9005241	Gasket, Cover, Timing [Cat 08]	1
7	9005242	Plate, Back [Cat 08]	1
8	9005240	Housing, Front	1
9	9005243	Gasket, Cover, Timing [Cat 08]	1
10	9005239	Gear, Cover [Cat 08]	1
11	372794	Cap, Filler	1
12	372795	Seal, Crank, Front	1
13	9005220	Washer, Hard [Cat 08]	1
14	9005216	Bolt [Cat 08]	1
15	372775	Gear, Idler	1
16	372776	Gear	1
17	372777	Gear	1
18	372778	Gear	1
19	372779	Gear, Injection, Fuel	1
20	9005231	Bolt [Cat 08]	2
21	9005228	Washer, Hard [Cat 08]	15
22	9005233	Washer [Cat 08]	6
23	9005234	Washer, Lock [Cat 08]	2
24	9005235	Bolt [Cat 08]	4
25	9005236	Insulation, Cover [Cat 08]	1
26	9005237	Insulation, Cover [Cat 08]	1
27	9005238	Bolt [Cat 08]	4
28	9005245	Cover [Cat 08]	1
29	9005217	Shaft [Cat 08]	1
30	9005218	Plate [Cat 08]	1
31	9005219	Bolt [Cat 08]	1

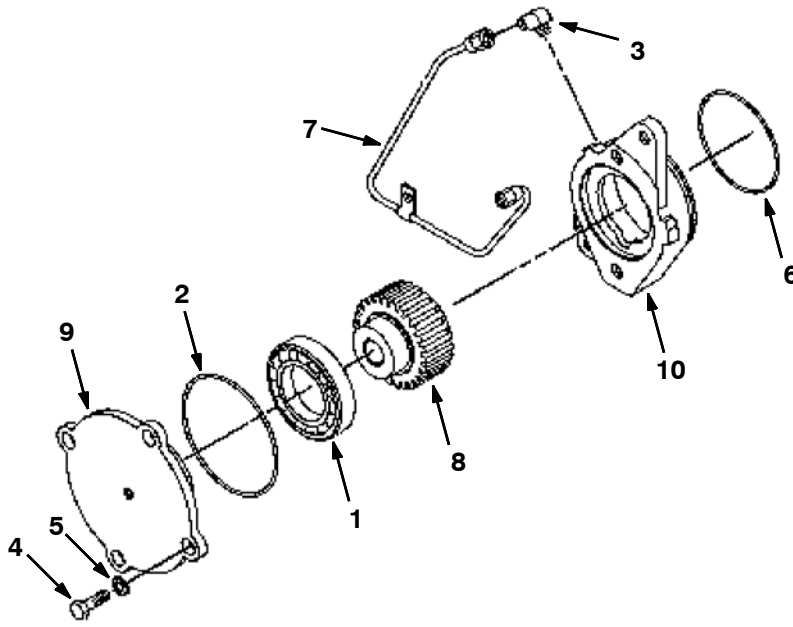
Fig. 7 - Flywheel Housing and Starter Group



D

Ref.	Part No.	Description	Qty.
1	9005228	Washer, Hard [Cat 08]	12
2	9005229	Bolt [Cat 08]	10
3	9005227	Bolt [Cat 08]	2
4	372732	Plug	1
5	372666	Gasket, Rear	1
6	372733	Seal	1
7	372667	Gasket	1
8	372734	Stud	3
9	372735	Nut	3
10	372736	Housing, Flywheel	1
11	372731	Flywheel	1
	372660	Starter	1

Fig. 8 - Auxiliary Drive Group



Ref.	Part No.	Description	Qty.
1	372780	Bearing, Ball	3
2	372781	Seal, Org	1
3	372782	Fitting, Elbow	2
4	9005208	Bolt [Cat 08]	7
5	9005185	Washer, Lock [Cat 08]	7
6	372783	Seal, Org	2
7	372784	Tube	1
8	372785	Gear [Power Take Off]	1
9	372786	Housing, Brg	2
10	372787	Housing, Brg	1

D

Fig. 9 - Oil Pan Group

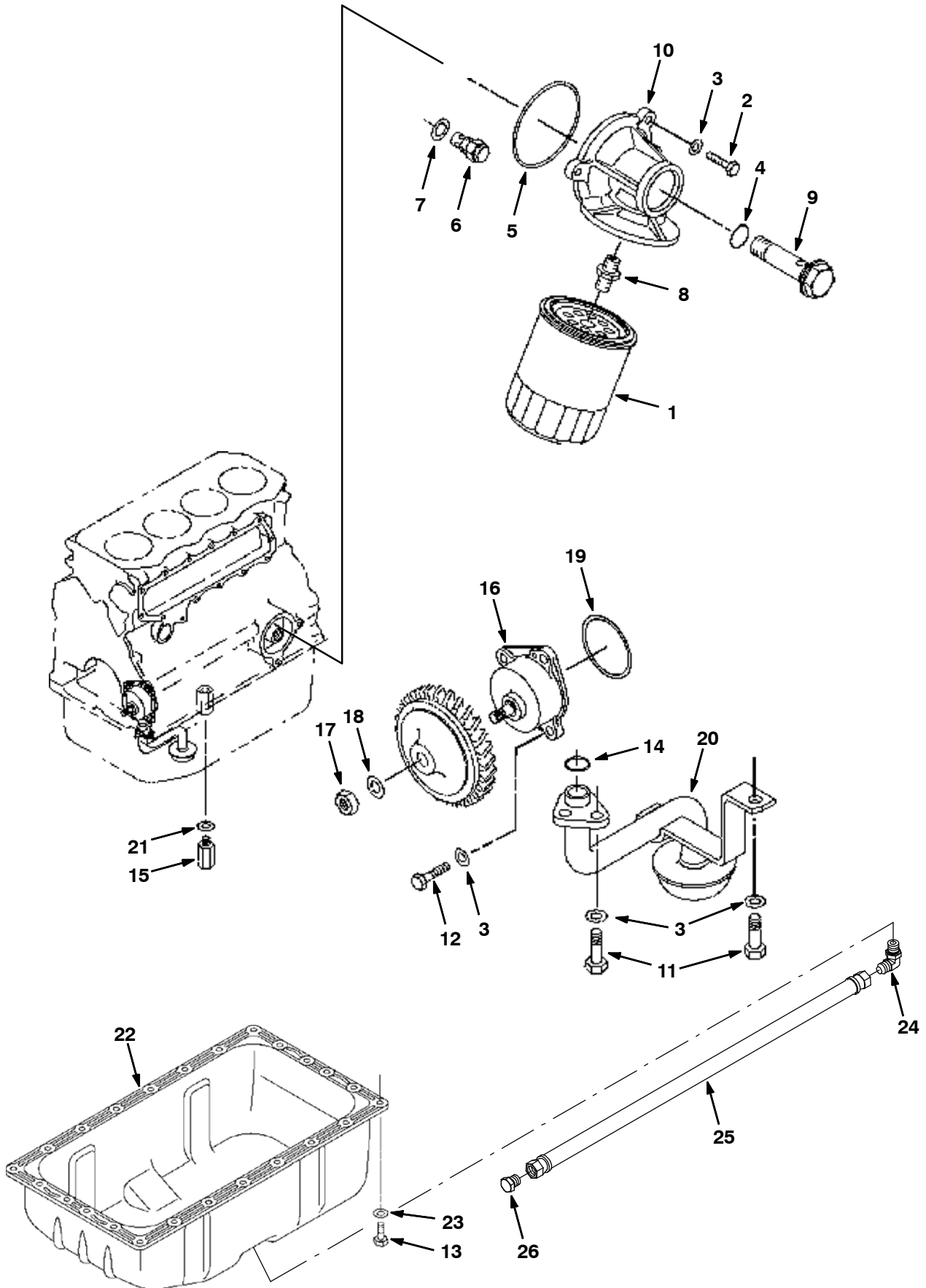


Fig. 9 - Oil Pan Group

Ref.	Part No.	Description	Qty.
1	372654	Filter, Oil, Eng	1
2	9005209	Bolt [Cat 08]	1
3	9005182	Washer, Hard [Cat 08]	8
4	372803	Seal, Org	1
5	372804	Seal, Org	1
6	372805	Valve, Relief	1
7	372669	Gasket	1
8	372806	Fitting, Str	1
9	372807	Screw	1
10	372808	Bracket	1
11	9005190	Bolt [Cat 08]	3
12	9005183	Bolt [Cat 08]	4
13	9005208	Bolt [Cat 08]	25
14	9005194	Seal, Org [Cat 08]	1
15	9005276	Valve, Press, Oil [Cat 08]	1
16	372768	Pump, Oil	1
17	372769	Nut	1
18	9005263	Washer [Cat 08]	1
19	372770	Seal, Org	1
20	372771	Strainer, Oil	1
21	372670	Gasket	1
22	372800	Pan, Oil, W/ Gasket	1
23	9005185	Washer, Lock [Cat 08]	25
24	1046796	Fitting, Hyd, E90, Metric, Spcl	1
25	365000	Hose, Hyd, Low06, Jf06str/Jf06str, 037.0	1
26	19747	Fitting, Hyd, Plug, Jm06	1

Fig. 10 - Water Pump and Thermostat Group

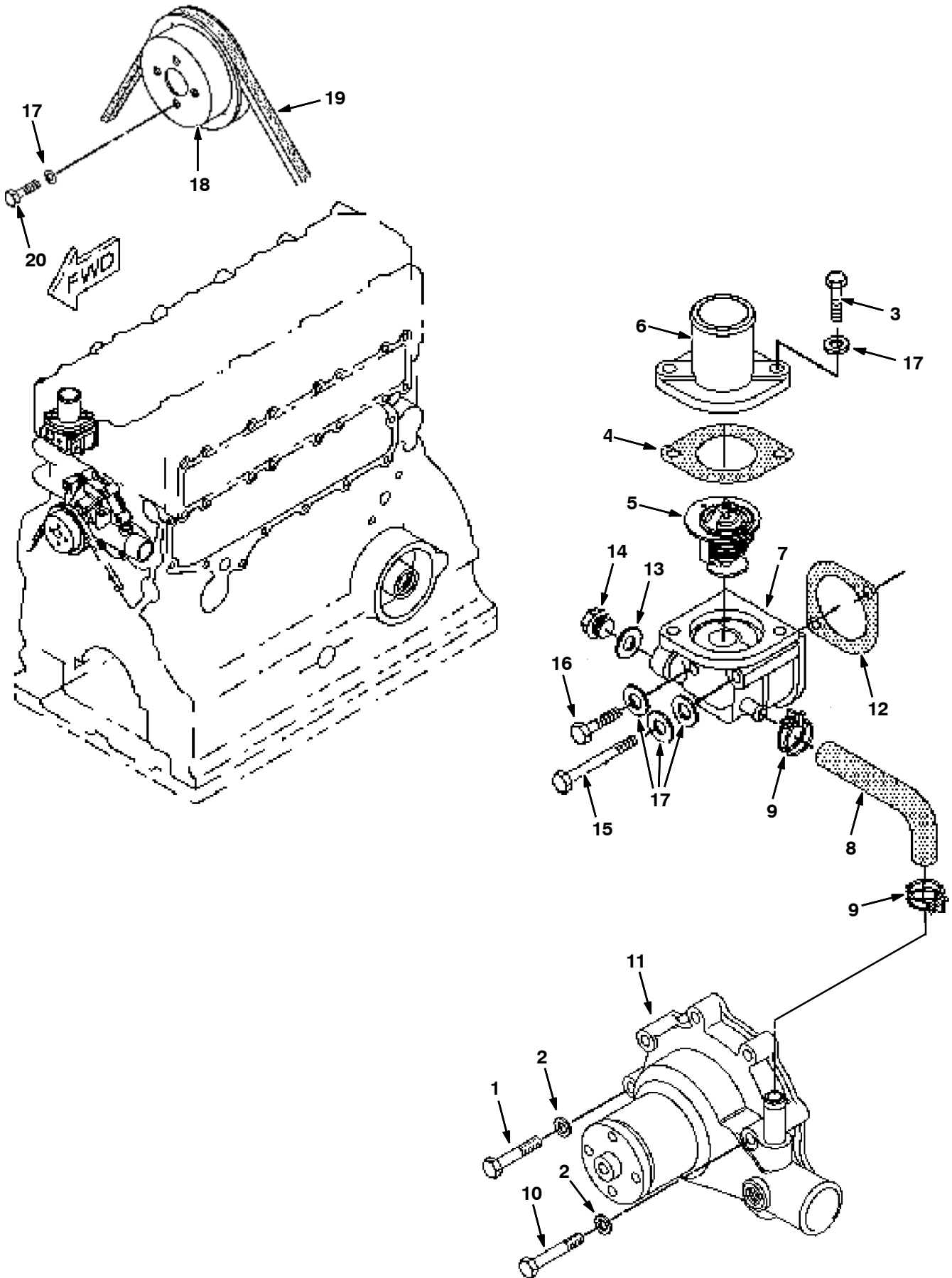
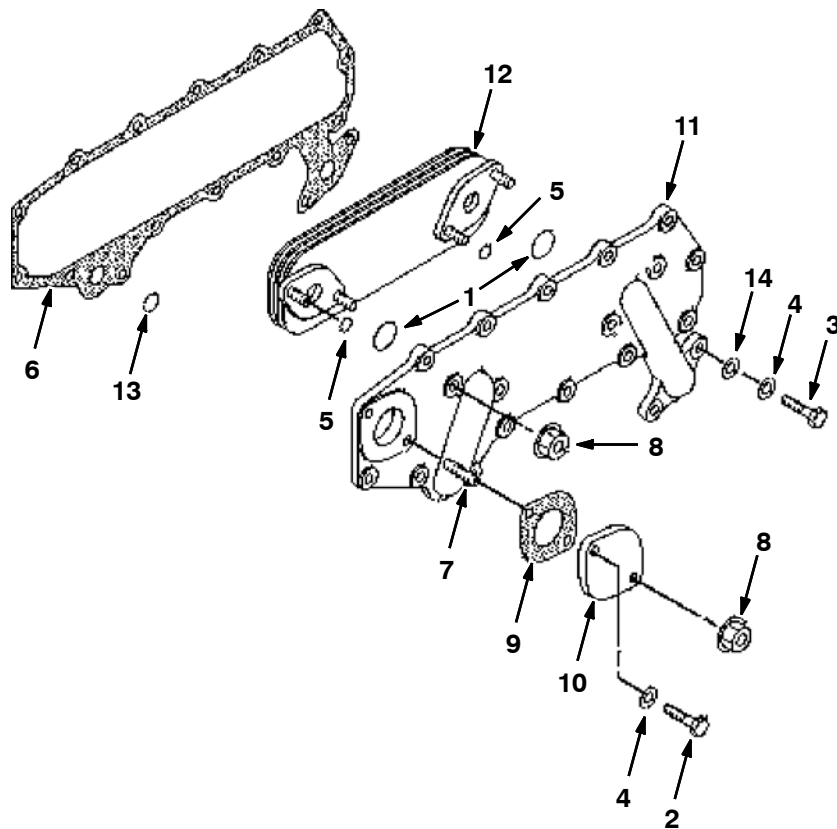


Fig. 10 - Water Pump and Thermostat Group

Ref.	Part No.	Description	Qty.
1	9005269	Bolt [Cat 08]	4
2	9005228	Washer, Hard [Cat 08]	5
3	9005221	Bolt [Cat 08]	2
4	372674	Gasket, Coolant	1
5	372814	Thermostat [Cat]	1
6	9005225	Cover, Thermostat [Cat 08]	1
7	9004035	Regulator, Temp, Coolant	1
8	9004033	Hose	1
9	9004034	Clamp, Hose	2
10	9005238	Bolt [Cat 08]	1
11	9003796	Pump, Water	1
12	9005224	Gasket, Thermostat [Cat 08]	1
13	372667	Gasket	2
14	372732	Plug	2
15	9005222	Bolt [Cat 08]	1
16	9005223	Bolt [Cat 08]	1
17	9005182	Washer, Hard [Cat 08]	9
18	372802	Pulley	1
19	372653	Belt, Pump, Water	1
20	9005181	Bolt [Cat]	4

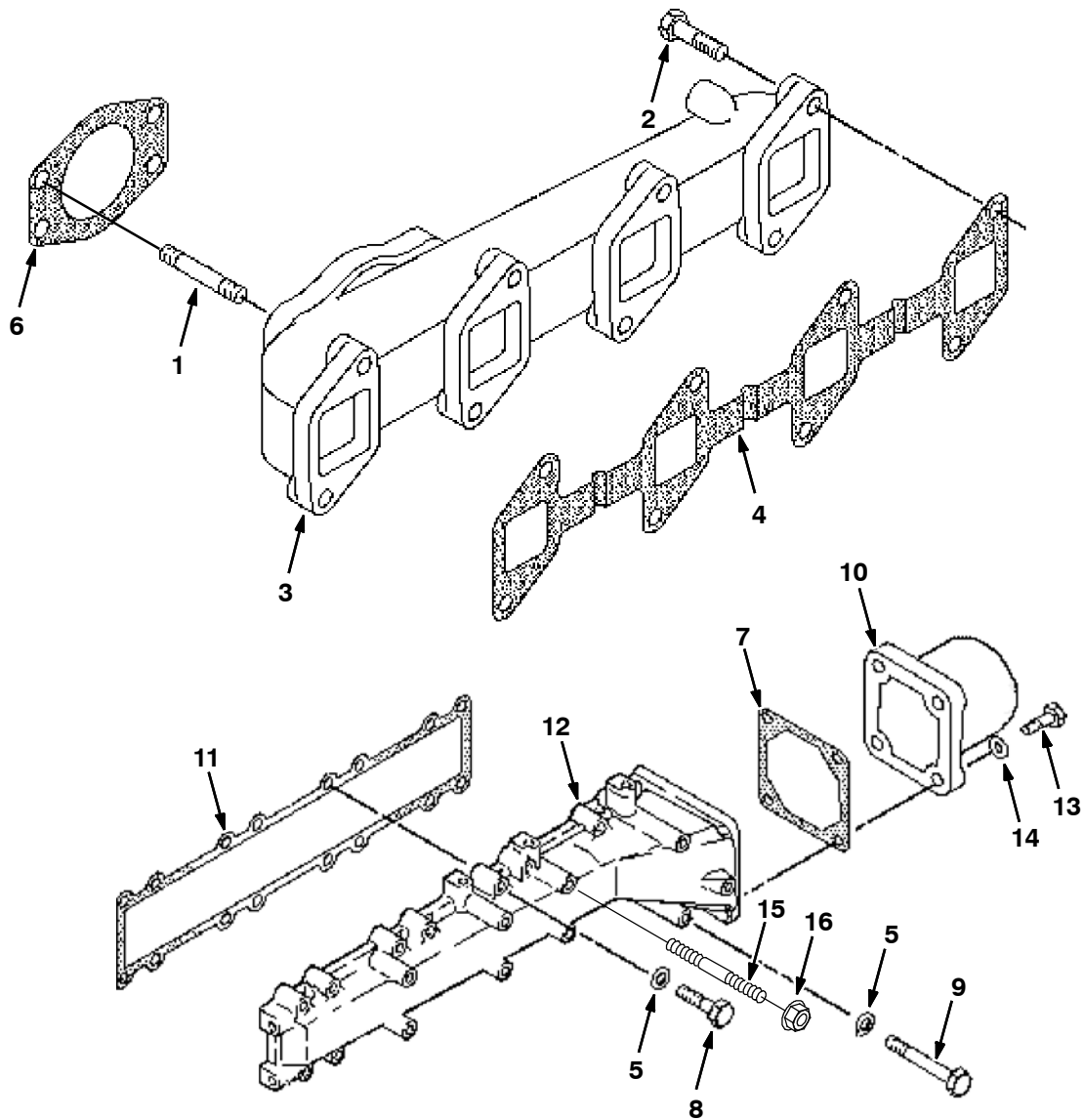
Fig. 11 - Cooler Group



D

Ref.	Part No.	Description	Qty.
1	372825	Seal, Org	2
2	9005192	Bolt [Cat 08]	1
3	9005193	Bolt [Cat 08]	15
4	9005182	Washer, Hard [Cat 08]	16
5	372826	Seal, Org	4
6	372671	Gasket, Cover, Side	1
7	372827	Stud	1
8	9005256	Nut, Flng [Cat 08]	5
9	372672	Gasket, Heater, Water	1
10	372829	Cover	1
11	372830	Cover	1
12	372831	Cooler	1
13	9005194	Seal, Org [Cat 08]	2
14	9005185	Washer, Lock [Cat 08]	15

Fig. 12 - Manifold Group



Ref.	Part No.	Description	Qty.
1	372661	Stud	4
2	9005184	Bolt [Cat 08]	8
3	9005251	Manifold, Exhaust [Cat 08]	1
4	372677	Gasket, Manifold	1
5	9005185	Washer, Lock [Cat 08]	16
6	372678	Gasket, Exhaust	1
7	372679	Gasket	1
8	9005253	Bolt [Cat 08]	14
9	9005252	Bolt [Cat 08]	2
10	9005210	Elbow, Air, Inlet [Cat 08]	1
11	372680	Gasket	1
12	9005254	Manifold, Inlet [Cat 08]	1
13	9005209	Bolt [Cat 08]	4
14	9005182	Washer, Hard [Cat 08]	4
15	9005255	Stud [Cat 08]	1
16	9005256	Nut, Flng [Cat 08]	1

Fig. 13 - Fuel Group

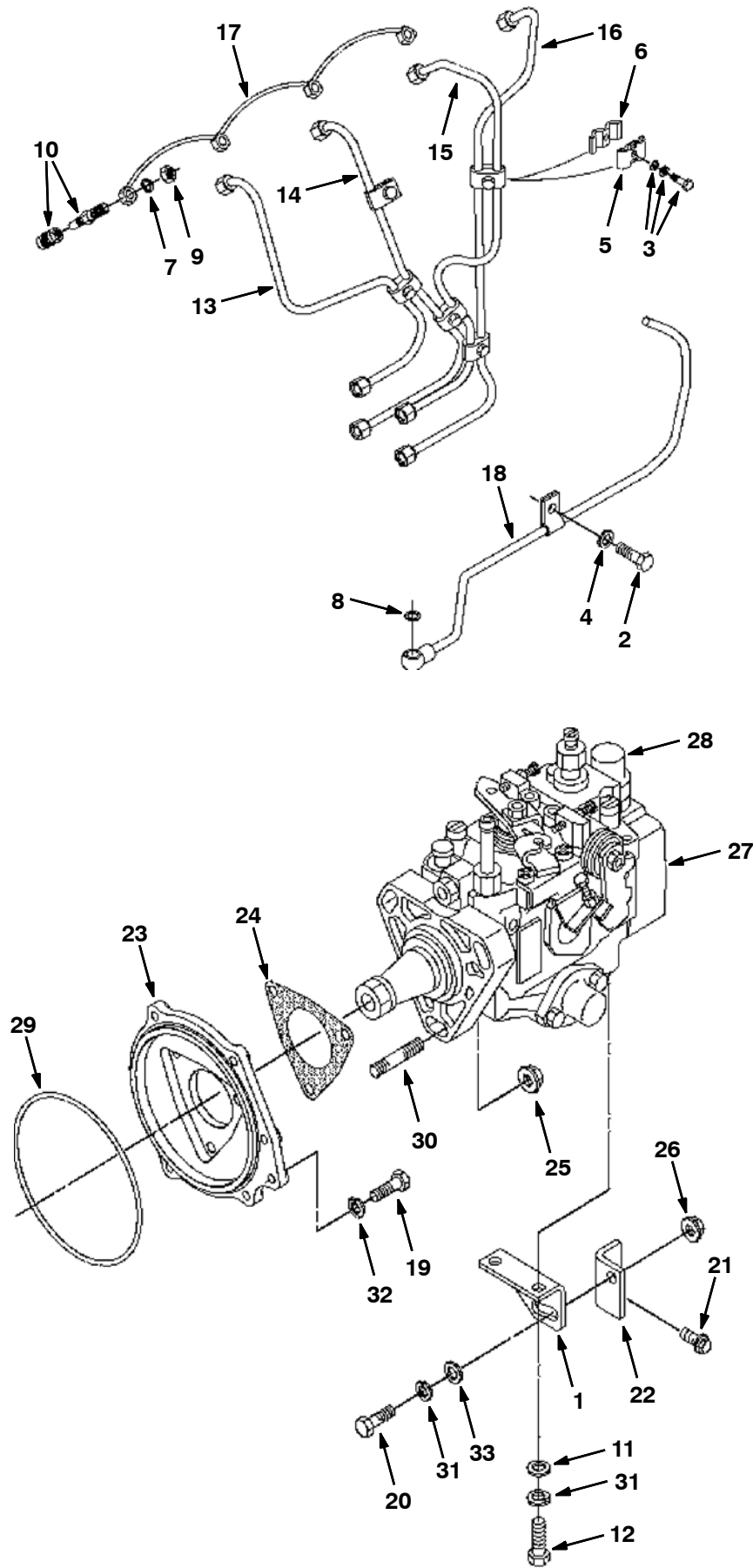
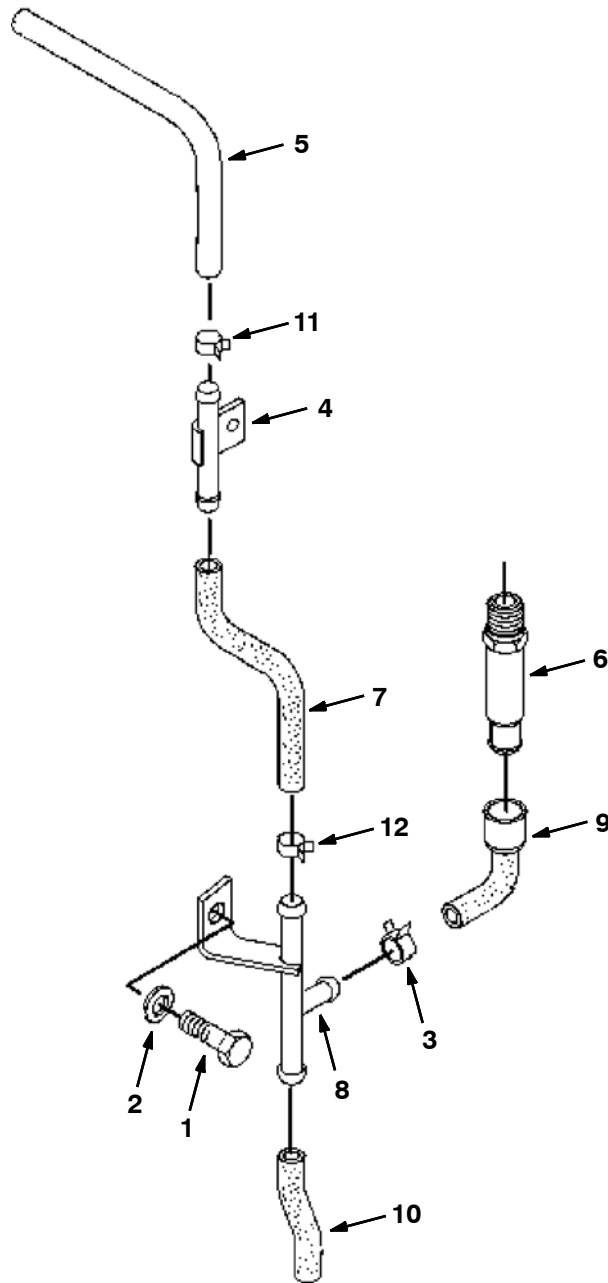


Fig. 13 - Fuel Group

Ref.	Part No.	Description	Qty.	
1	372838	Retainer	3	
2	9005208	Bolt [Cat 08]	1	
3	9005248	Bolt Assy [Cat 08]	3	
4	9005185	Washer, Lock [Cat 08]	1	
5	372841	Clamp	3	
6	372842	Clamp	3	
7	372681	Gasket	4	
8	372682	Gasket	4	
9	9005249	Nut [Cat 08]	4	
10	9005250	Nozzle, Injection [Cat 08]	4	
11	9005220	Washer, Hard [Cat 08]	2	
12	9005264	Bolt [Cat 08]	2	
13	372846	Fueline, Cyl #1	1	
14	372847	Fueline, Cyl #2	1	
15	372848	Fueline, Cyl #3	1	
16	372849	Fueline, Cyl #4	1	
17	372850	Fueline, Bleeder	1	
18	372851	Fueline, Return	1	
19	9005183	Bolt [Cat 08]	1	
20	9005229	Bolt [Cat 08]	1	
21	372834	Screw, Hex	1	
22	372835	Bracket	1	
23	372836	Flange	1	
24	372683	Gasket	1	
25	9005256	Nut, Flng [Cat 08]	3	
26	372735	Nut	1	
▽	27	9005504	Pump, Injection, Fuel [Cat 08]	1
▲	28	9005266	Solenoid [Cat 08]	1
	29	372839	Seal, Org	1
	30	372840	Stud	3
	31	372655	Washer	3
	32	9005182	Washer, Hard [Cat 08]	1
	33	9005265	Washer [Cat 08]	1

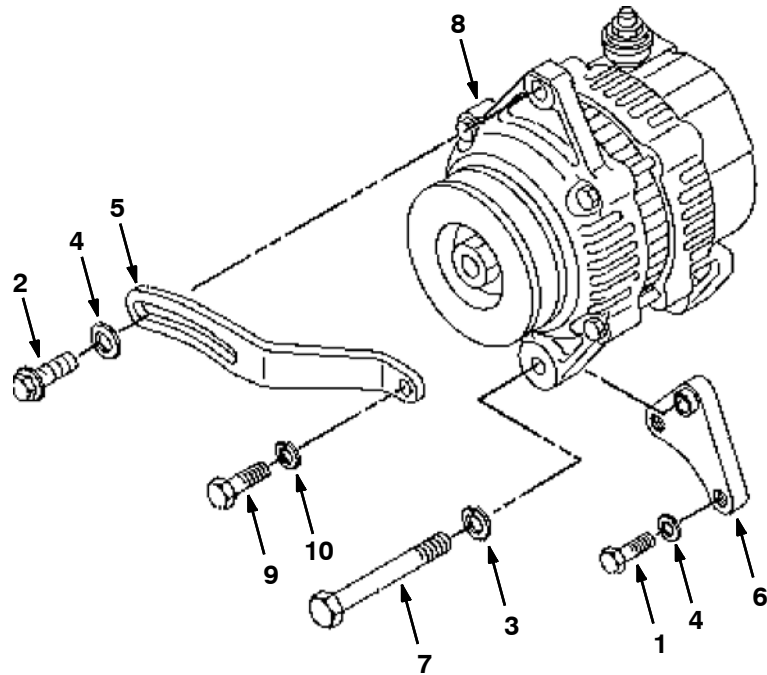
Fig. 14 - Fumes Disposal Group



D

Ref.	Part No.	Description	Qty.
1	9005181	Bolt [Cat]	1
2	9005185	Washer, Lock [Cat 08]	1
3	372819	Clip	6
4	372820	Pipe	1
5	9005215	Pipe, Breather [Cat 08]	1
6	372821	Valve, Shutoff	1
7	372688	Hose, Breather	1
8	372822	Pipe, Breather	1
9	372689	Hose, Breather	1
10	372690	Hose, Breather	1
11	372823	Clip	1
12	372824	Clip	1

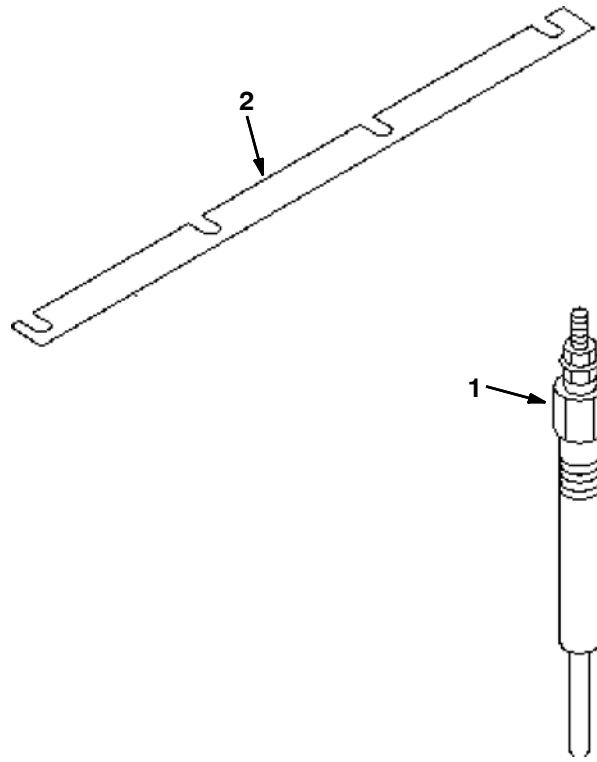
Fig. 15 - Alternator Group



Ref.	Part No.	Description	Qty.
1	9005181	Bolt [Cat]	1
2	9005183	Bolt [Cat 08]	1
3	372655	Washer	1
4	9005182	Washer, Hard [Cat 08]	2
5	372656	Plate, Adj	1
6	372657	Plate	1
7	372658	Screw, Hex	1
8	372659	Alternator	1
9	9005184	Bolt [Cat 08]	1
10	9005185	Washer, Lock [Cat 08]	1

D

Fig. 16 - Glow Plug Group



D

Ref.	Part No.	Description	Qty.
1	372772	Glow Plug	4
2	372773	Plate	1

SECTION 8

CONTENTS	PAGE
PART NUMBER TO PAGE NUMBER CROSS REFERENCE LIST	8-2
PART DESCRIPTION TO PAGE NUMBER CROSS REFERENCE LIST	8-16

CROSS REFERENCE

PART NUMBER TO PAGE NUMBER CROSS REFERENCE LIST

Part Number	Page Number	Part Number	Page Number	Part Number	Page Number
MM337	3-65	06963	2-71	09258	2-15, 2-17
00500-15	4-32	06965	2-101, 3-24	09291	2-97, 3-28
00954	4-34	06967	2-53	09570	2-61
00960	2-63, 2-65, 2-67, 4-35	06968	2-105	09718	2-73
01274	2-29	06969	2-71	09740	2-25
01685	2-25, 3-37	06972	2-25, 2-39	09770	2-98, 3-28
01686	2-33	06973	2-39	09806	2-147
01691	3-37	06974	2-39	1007343	3-43
01987	2-87, 2-89	06993	2-73	1010360	2-39
01999	3-31	06995	2-73	1010361	2-39
02247	2-63, 2-65, 2-67	07449	2-81	1011676	2-39
02506-6	3-56	07514	2-105	1011694	2-71
02549	2-87	07562	2-47	1011699	2-71
02713	2-113	07783	2-73	1011701	2-39
02850	3-17	07787	2-97, 3-28	1011788	2-71
02931	2-105	07788	2-13	1011795	2-71
02938	3-61	07790	2-17, 2-63, 2-65, 2-67, 2-81, 2-93, 2-98, 3-27	1011913	2-61
03026	2-47, 2-49	07791	2-25, 2-49, 2-57, 2-101, 3-3, 3-7, 3-23	1011914	2-57
03192	2-39, 6-12	07792	2-7, 2-9, 2-97, 2-102, 2-105, 3-23, 3-28, 3-37	1011973	2-39
03193	2-29, 2-102, 3-24, 3-37	07793	2-39, 2-71, 2-105	1012012	2-53
03922	2-111	07805	2-81	1012142	2-57
04414	2-11	07810	2-41	1012143	2-57
04483	4-44	07934	2-83	1012144	2-53
04706	2-115	08085	2-81, 2-95	1012150	2-49
04761	2-97, 3-27	08178	2-41	1012656	2-107
04843	2-29, 3-53	08179	2-101	1012657	2-107
05611	2-113	08180	2-75	1012670	2-117
05880	2-51, 2-53	08346	2-81	1012729	2-61
05881	2-51, 2-53	08708	2-7, 2-9, 2-15, 2-17, 2-29, 2-33, 2-39, 2-41, 2-57, 2-67, 2-101, 2-111, 2-115, 2-118, 3-23, 3-43	1012737	2-61
06146	2-93	08709	2-25, 2-49, 2-57, 2-63, 2-65, 2-67, 2-97, 2-102, 2-105, 2-111, 3-3, 3-5, 3-7, 3-9, 3-24, 3-28, 3-33, 3-43	1012738	2-57
06474A	2-95	08711	2-39	1012744	2-53
06524	2-15	08712	2-81, 4-47	1012754	2-49
06535	2-97, 3-28	08713	2-25	1012785	2-71
06537	2-97	08714	2-101, 3-23	1013275	2-61
06548	2-101, 3-23	09010	2-101, 3-23	1013318	2-41
06549	3-3, 3-5, 3-7, 3-9, 3-11, 3-13	09011	2-25	1013344	2-49
06927	3-17	09028	2-33, 3-5, 3-9	1013366	2-49
06932	3-61	09081	2-97, 3-28	1013588	2-53
06933	4-49	09120	2-105	1014456	2-13
06942	2-41, 2-49, 2-117	09145	2-67	1014491	2-95
06943	2-17, 2-39, 2-57, 2-65, 2-67, 2-81, 2-93, 2-111, 2-115, 2-118, 3-11, 3-13, 3-15, 3-35	09164	2-33	1015182	3-35
06944	2-7, 2-9, 2-98, 3-28, 3-43, 6-23	09206	3-15	1015184	3-35
06946	2-7, 2-9	09244	3-3, 3-5, 3-7, 3-9, 3-11, 3-13	1015224	3-35
06949	2-49			1015653	3-43
06955	2-57			1015762	3-41, 3-47
06956	6-17			1015886	2-49
06957	2-102, 2-105, 3-24			1016418	2-49
06958	6-17			1016556	3-41, 3-47
06961	4-49, 6-23			1016561	3-41, 3-47
06962	6-11			1016827	2-57
				1016950	2-49
				1017126	2-2, 2-57
				1017218	2-81
				1017248	3-3, 3-5, 3-11
				1017250	3-7, 3-9, 3-13
				1017898	2-97, 3-27
				1019188	2-63, 2-65
				1020982	2-81

CROSS REFERENCE

Part Number	Page Number	Part Number	Page Number	Part Number	Page Number
1021797	3-41	1050872	4-66	1064896	4-47
1021799	3-41	1050873	4-66	1065909	4-49
1021937	3-39	1051078	4-66	1065921	4-47
1021951	3-39	1051079	4-66	1065954	4-47
1021966	3-39	1051599	2-67	1066218	4-47
1021968	3-39	1053518	2-21	1066313	4-47
1021969	3-39	1053585	2-73	1066314	4-47
1023853	2-65, 2-67	1055106	2-37, 2-39	10664	2-19
1026719	2-23, 4-45	1055887	3-43	1066763	3-5, 3-9
1027531	2-53	1055893	2-67	1068383	3-35
1027798	3-3, 3-5, 3-7, 3-9, 3-11, 3-13	1056213	2-67	1068804	4-47, 4-49
1027800	3-3, 3-5, 3-7, 3-9, 3-11, 3-13	1057337	2-105	1068905	2-73
1028300	2-5	1057338	2-97, 3-27	1069019	2-2
1028492	2-73	1057434	4-47	1069020	2-2
1029502	2-57	1057643	2-105	1069298	4-47, 4-49
1030593	4-47	1057707	2-2	1069305	4-47, 4-49
1030601	4-49	1057708	2-2	1069309	4-47, 4-49
1032812	2-57	1057710	2-2	1070055	4-51
1033344	2-67	1057711	2-2	1070125	3-3, 3-5, 3-7
1033497	2-67	1057885	4-49	1071056	2-73
1033897	2-57	1058254	4-49	10819	2-105
1033899	2-57	1058256	4-49	10911	2-93
1038176	2-107	1058257	4-49	10959	2-21, 2-23
1039548	2-39	1058258	4-49	11329	2-115
1039554	2-81	1058259	4-47	11531	2-59, 2-61, 3-17
1040607	2-39	1058309	4-49	11676	3-53
1041034	2-101, 3-23	1058996	2-115	11716	2-109
1041090	2-27	1059997	4-47	11747	2-29, 3-61
1041739AM	2-63, 2-65, 2-67	1060000	4-47	12271	2-13
1041796	2-53	1060510	3-43	12273	2-81
1042110	2-23	1061447	4-49	12274	2-29, 2-105
1042374	2-81	1061468	4-47	12316	2-105
1042969	2-3	1061492	4-47	12317	2-51, 2-101, 3-23
1043095	3-41, 3-47	1061655	4-49	12459	2-57, 2-97, 3-27, 3-41, 3-47
1043352	3-41, 3-47	1061949	3-37	12549	3-37
1045764	2-63, 2-65, 2-67	1062083	4-47	13248	2-113
1046389	2-17	1062084	4-47	13902	4-39, 4-43
1046712	3-43	1062092	4-47	13904	4-41, 4-43
1046796	6-15, 7-15	1062119	4-47	13907	4-3, 4-7, 4-13, 4-17
1049209	2-93, 4-65	1062143	4-49	13959	3-17
1049210	2-113, 3-27, 4-63	1062707	4-47	14242	2-75
1049211	2-101, 3-23, 4-66	1062708	4-49	14595-1	2-81
1050295	3-37	10632-12	3-11, 3-13	14605	2-41, 2-81
1050780	4-63, 4-65	10632-14	4-47	15331	2-109
1050809	4-63, 4-65, 4-66	10632-20	3-3, 3-5, 3-7, 3-9	15555-1	2-55
1050811	4-63	10632-4	2-35, 3-3, 3-7, 3-11, 3-13, 3-15, 3-61	15555-2	2-55, 2-57
1050812	4-63, 4-65	10632-5	2-117, 3-17, 3-33	15675	3-3, 3-5, 3-7, 3-9
1050861	4-65, 4-66	10632-8	3-17	16411	2-2
1050862	4-65	10632-9	3-11, 3-13	16412	2-2
1050863	4-65	1064050	3-3, 3-5, 3-7, 3-9	16431	2-87, 2-89
1050864	4-65	1064125	2-77	16455	2-95
1050865	4-65	1064126	2-77	16456	2-23
1050866	4-65	1064170	2-89	16472	3-27
1050867	4-65	1064184	2-118	16694	4-33
1050868	4-65	1064188	2-118, 3-35	16695	4-32, 4-33
1050869	4-65	1064191	2-118, 3-35	16735	2-29, 2-53, 2-79, 6-9, 6-11, 6-13, 6-15, 6-23
1050870	4-65, 4-66	1064893	4-49	16930	2-111, 3-41, 3-47
1050871	4-65	1064894	4-49		
		1064895	4-47		

CROSS REFERENCE

Part Number	Page Number	Part Number	Page Number	Part Number	Page Number
16931	2-17, 2-29, 2-53, 2-57, 2-63, 2-65, 2-67, 2-71, 2-101, 2-111, 3-3, 3-7, 3-23, 3-33, 3-43, 6-7, 6-15, 6-23, 6-26	21672	2-77	31605	2-93
17808	2-75	21722	2-27	31613	2-2, 2-91
17809	2-75	21728	4-59, 4-61	31646	2-45
17980	2-93, 2-95, 3-27	21729	2-87, 2-89	31775	2-79
19035	3-53	21731	2-55	31922	3-17
19065	3-15	21732	2-55	31954	3-11, 3-13
19066	2-25, 2-29, 2-41, 2-49, 2-57, 2-65, 2-67, 2-93, 2-101, 2-115, 2-117, 2-118, 3-3, 3-5, 3-7, 3-9, 3-11, 3-13, 3-23, 4-49	21740	2-73	31999	2-33
19117	2-113, 4-34	21796	5-3, 5-35	32006	2-33
19312	2-53	21917	4-38, 4-39, 4-43	32009	2-33
19313	2-19, 2-63, 2-65, 2-67, 2-113	222290	2-146	32129	2-93
19459	2-91	222460	2-101	32483	2-7, 2-9, 2-49, 2-105, 2-111, 2-118, 3-15, 4-47, 4-49, 6-23
19544	2-83	22290	2-115	32485	2-81, 2-98, 2-115, 3-28, 3-43
19747	6-15, 7-15	22473	2-51	32486	2-39, 2-53, 2-57, 2-71, 2-73, 2-83, 2-97, 2-105, 2-115, 3-27
20177	3-43	22626	2-73, 4-29	32490	2-17, 2-39, 2-41, 2-63, 2-67, 2-81, 3-3, 3-7, 3-35, 3-41, 3-43, 3-47
20192	2-97, 3-27	22629	4-29, 4-31	32491	2-17, 2-29, 2-39, 2-41, 2-49, 2-53, 2-55, 2-57, 2-63, 2-65, 2-67, 2-73, 2-79, 2-101, 2-111, 3-23, 3-37, 3-43, 6-7
21041	3-53	22630	4-29, 4-31	32492	2-7, 2-9, 2-21, 2-23, 2-33, 2-39, 2-63, 2-65, 2-67, 2-71, 2-98, 2-101, 2-111, 3-5, 3-9, 3-23, 3-28, 3-37, 3-41, 3-43, 3-47, 4-49, 6-11, 6-12, 6-15, 6-23
21047	3-53	22636	4-29, 4-31	32493	2-15, 2-17, 2-39, 2-57, 3-43
21054	3-53	22645	4-29, 4-31	32496	2-97, 3-28
21104	3-53	22646	4-29, 4-31	32598	2-75
21109	2-101	23146	3-53	32668	3-33
21117	2-87, 2-89	23498	2-111	32895	2-105
21119	2-87, 2-89	23935	3-61	32899	2-81
21131	2-13	23936	2-101, 3-23	32960	3-33
21136	2-51	23946	2-11	32981	2-57
21138	2-51, 2-53	23950	2-15	32982	2-53, 3-11, 3-13
21150	4-49	24012-1	2-53	32984	2-19, 2-63, 2-65, 2-113
21168	2-5, 2-7, 2-9	24199	2-117	32985	2-73, 2-97, 3-27
21195	2-115, 3-37	24450	3-41, 3-47	32987	2-73
21197	2-39	24576	3-15	330140	3-65
21198	2-39	24576-1	3-17	330142	3-65
21215	2-97	24899	2-105	330143	3-65
21221	2-29	25046	2-81, 4-49	330729	3-65
21223	3-51	25312	3-57	33342	3-24
21230	2-13	25610	2-55, 2-57	33404	2-107
21231	2-101, 3-23	26395-2	3-53	33612	3-43
21238	2-97	26565	3-53	33799	2-87, 2-89
21241	2-111	27048	2-55		
21246	2-11, 3-35	27767	3-41, 3-47		
21250	3-27	27979	2-53		
21251	3-27	27988	2-115		
21252	3-27	27990	2-63, 2-65, 2-67		
21282	2-7, 2-9	29233	3-5, 3-9		
21301	3-61	30013	3-33		
21303	2-33	30251	2-105		
21309	4-47	30252	2-105		
21313	4-49	30253	2-105		
21643	2-13	30255	2-105		
21671	3-58	30268	3-41, 3-47		
		30533	3-59		
		311303	4-47		
		311336	2-11, 4-49		
		31354	4-32		
		31380	4-33		
		31385	4-33		
		31507	3-41, 3-47		
		31525	3-43, 3-51		
		31563	2-87, 2-89		
		31597	3-31		
		31599	2-63, 2-65, 2-67		
		31603	2-89		

CROSS REFERENCE

Part Number	Page Number	Part Number	Page Number	Part Number	Page Number
33806	2-11, 3-19	369016	5-9	369169	5-5
33817	2-91	369018	5-13	369170	5-7
33875	2-39	369019	5-3	369171	5-3
33924	2-101, 3-23	369020	5-11	369172	5-5
34065	2-43	369021	5-32	369173	5-7
34159	4-5, 4-9, 4-15, 4-19	369022	5-15	369174	5-11
34176	4-32	369023	5-9	369175	5-15
34178	4-27, 4-29, 4-31	369025	5-11	369176	5-15
34179	4-27, 4-29	369026	5-15	369177	5-15
34180	4-27	369027	5-17, 5-35	369178	5-19
34181	4-27, 4-29, 4-31	369028	5-31, 5-35	369179	5-17
34182	4-27	369029	5-31, 5-35	369181	5-17
34183	4-27, 4-29, 4-31	369030	5-19, 5-34	369182	5-3
34184	4-27, 4-29, 4-31	369031	5-11	369183	5-14
34185	4-27, 4-29	369032	5-3	369184	5-15
34195	2-98, 3-28	369034	5-31	369185	5-29
34306	2-2, 2-91	369035	5-11	369186	5-15
34323	2-7, 2-9, 2-17	369036	5-3	369187	5-9
34330	2-105	369037	5-11	369188	5-15
34355	2-87, 2-89	369038	5-15	369189	5-15
34359	2-73, 2-107	369039	5-15	369190	5-15
34360	2-87, 2-89	369040	5-15	369191	5-15
34379	2-87, 2-89	369089	5-21	369192	5-15
34390	2-91	369090	5-21	369193	5-15
34392	2-27	369131	5-33	369194	5-15
34738	3-61	369132	5-5	369195	5-9
34820	2-117	369133	5-17	369196	5-11
34848	3-17	369134	5-9	369197	5-7
34864	2-35, 3-61	369135	5-15	369198	5-7
35323	2-3	369136	5-23, 5-25	369199	5-29
35324	2-3	369137	5-5	369200	5-7
35325	2-3	369138	5-11	369201	5-3
35326	2-3	369140	5-3, 5-11	369202	5-15
35327	2-3	369141	5-11	369203	5-15
35336	2-3	369142	5-15	369204	5-15
35688	2-27	369143	5-5	369205	5-11
35980	2-37, 2-39	369144	5-17	369206	5-7
36050	2-2, 2-55, 2-57	369145	5-5	369207	5-5
361160	2-5	369146	5-11	369208	5-5
36158	3-53	369147	5-15	369209	5-3
36192	2-19	369148	5-15	369210	5-19
36328	2-97, 2-105, 3-27	369149	5-7	369211	5-29
365000	6-15, 7-15	369150	5-7	369212	5-29
36556	2-95	369151	5-9	369213	5-15
36758	2-97, 3-27	369152	5-9	369214	5-31
36801	3-43	369153	5-7	369216	5-27
369000	5-31	369154	5-19	369217	5-11
369001	5-15	369155	5-14	369223	5-33
369002	5-9	369156	5-29	369224	5-11
369003	5-29	369157	5-17	369226	5-19
369004	5-11	369158	5-15	369227	5-29, 5-34
369005	5-9	369159	5-7	369228	5-7, 5-34
369006	5-15	369160	5-9	369229	5-32, 5-34
369007	5-11	369162	5-15	369230	5-31, 5-34
369008	5-15	369163	5-15	369231	5-19
369009	5-35	369164	5-27	369232	5-11, 5-35
369010	5-29	369165	5-15	369233	5-19, 5-34
369012	5-17	369166	5-9	369234	5-31, 5-34
369014	5-31	369167	5-15	369235	5-11, 5-35
369015	5-15	369168	5-15	369236	5-11, 5-35

CROSS REFERENCE

Part Number	Page Number	Part Number	Page Number	Part Number	Page Number
369237	5-3	370011	2-3	372688	6-25, 7-22
369238	5-3	370806	5-11	372689	6-25, 7-22
369239	5-29	370807	5-15	372690	6-25, 7-22
369240	5-29	370809	5-19	372691	6-5, 6-9, 7-5, 7-9
369241	5-15	370810	5-19	372692	6-9, 7-9
369242	5-15	370811	5-19	372693	6-9, 7-9
369243	5-9	370812	5-19	372694	6-9, 7-9
369244	5-31	370814	5-21	372695	6-9
369245	5-29	370815	5-23	372696	6-7, 7-7
369246	5-31	370816	5-23	372697	6-5, 7-5
369247	5-31	370817	5-23	372698	6-5, 7-5
369248	5-32	370818	5-23	372699	6-5, 7-5
369249	5-9	370819	5-27	372700	6-5
369250	5-15	370820	5-27	372701	6-5
369251	5-11	370821	5-27	372702	6-5, 7-5
369253	5-15	370823	5-29	372703	6-5
369254	5-9	370825	5-31	372704	6-5, 7-5
369255	5-17	370826	5-32	372705	6-5, 7-5
369256	5-17	370827	2-51, 5-32	372706	6-3, 7-3
369257	5-11	370885	5-3	372707	6-3
369258	5-33	370886	5-31	372708	6-3, 7-3
369259	5-19, 5-34	370887	5-32	372709	6-3, 7-3
369260	5-11, 5-15	371602	2-37, 5-27	372710	6-3, 7-3
369261	5-7	372651	2-2, 2-49	372711	6-3
369262	5-19, 5-21	372652	2-2, 2-49	372712	6-3
369263	5-19	372653	2-39, 6-17, 7-17	372713	6-3, 7-3
369268	5-15	372654	2-2, 6-15, 7-15	372714	6-3
369269	5-15	372655	6-26, 7-21, 7-23	372715	6-3, 7-3
369270	5-15	372656	6-26, 7-23	372716	6-3, 7-3
369271	5-19	372657	6-26, 7-23	372717	6-3, 7-3
369272	5-15	372658	6-26, 7-23	372718	6-3, 7-3
369273	5-19	372659	6-26, 7-23	372719	6-3, 7-3
369274	5-19	372660	6-12, 7-12	372720	6-3
369275	5-19	372661	6-21, 7-19	372721	6-3, 7-3
369276	5-19	372662	6-21	372722	6-7, 7-7
369277	5-19	372663	6-21	372723	6-7
369278	5-32, 5-34	372664	6-7, 7-7	372724	6-7, 7-7
369279	5-15	372665	6-7	372725	6-7, 7-7
369280	5-31	372666	6-12, 7-12	372726	6-7
369281	5-19	372667	6-12, 6-17, 7-7, 7-12, 7-17	372727	6-7
369282	5-14			372728	6-7
369283	5-35	372668	6-15	372729	6-7
369284	5-5	372669	6-15, 7-15	372730	6-7
369285	5-34	372670	6-15, 7-15	372731	6-12, 7-12
369286	5-5	372671	6-19, 7-18	372732	6-12, 6-17, 7-7, 7-12, 7-17
369287	5-5	372672	6-19, 7-18	372733	6-12, 7-12
369289	5-3	372673	6-17	372734	6-12, 7-12
369290	5-7	372674	6-17, 7-17	372735	6-12, 6-23, 7-12, 7-21
369292	5-9	372676	6-17		
369293	5-5	372677	6-21, 7-19	372736	6-12, 7-12
369294	5-9	372678	2-53, 6-21, 7-19	372737	6-5, 7-5
369295	5-3	372679	6-21, 7-19	372738	6-5, 7-5
369296	5-3	372680	6-21, 7-19	372739	6-5, 7-5
369297	5-5	372681	6-23, 7-21	372740	6-5, 7-5
369298	5-5	372682	6-23, 7-21	372741	6-5
369299	5-11	372683	6-23, 7-21	372742	6-5, 7-5
369701	2-73	372684	6-11	372743	6-5, 7-5
369704	2-13	372685	6-11	372744	6-5, 7-5
36971	2-81	372686	6-17	372745	6-5, 7-5
369786	3-37	372687	6-25		

CROSS REFERENCE

Part Number	Page Number	Part Number	Page Number	Part Number	Page Number
372746	6-5, 7-5	372809	6-15	373236	4-31
372747	6-5, 7-5	372810	6-15	373242	4-25
372748	6-5, 7-5	372812	6-17	373243	4-25
372749	6-5, 7-5	372813	6-17	373254	2-83, 4-25
372750	6-5, 7-5	372814	6-17, 7-17	373255	4-25
372751	6-5, 7-5	372815	6-17	373256	4-25
372752	6-5, 7-5	372816	6-21	373258	4-25
372753	6-8, 7-8	372817	6-21	373259	4-25
372754	6-8, 7-8	372818	6-3	373276	4-25
372755	6-8, 7-8	372819	6-25, 7-22	373284	4-25
372756	6-8, 7-8	372820	6-25, 7-22	373291	4-31
372757	6-8	372821	6-25, 7-22	373369	4-13, 4-17, 4-21
372758	6-8	372822	6-25, 7-22	373371	4-21
372760	6-8	372823	6-25, 7-22	373372	4-21
372761	6-8	372824	6-25, 7-22	373373	4-21
372762	6-8	372825	6-19, 7-18	373374	4-9, 4-19
372763	6-8	372826	6-19, 7-18	373375	4-9, 4-19
372764	6-8	372827	6-19, 7-18	373404	2-83
372765	6-8	372828	6-19	373405	3-64
372766	6-8	372829	6-19, 7-18	373406	4-9, 4-19
372767	6-8, 7-8	372830	6-19, 7-18	373407	4-7, 4-17
372768	6-15, 7-15	372831	6-19, 7-18	373408	4-7, 4-17
372769	6-15, 7-15	372832	6-17	373409	4-7, 4-17
372770	6-15, 7-15	372834	6-23, 7-21	373410	4-7, 4-17
372771	6-15, 7-15	372835	6-23, 7-21	373412	4-9, 4-19
372772	6-27, 7-24	372836	6-23, 7-21	373413	4-9, 4-19
372773	6-27, 7-24	372837	6-23	373414	4-7, 4-17
372775	6-11, 7-11	372838	6-23, 7-21	373415	4-7, 4-17
372776	6-11, 7-11	372839	6-23, 7-21	373457	4-25
372777	6-11, 7-11	372840	6-23, 7-21	373458	4-25
372778	6-11, 7-11	372841	6-23, 7-21	373464	2-73, 4-31
372779	6-11, 7-11	372842	6-23, 7-21	373541	4-31
372780	6-13, 7-13	372843	6-23	373542	4-31
372781	6-13, 7-13	372844	6-23	373543	4-31
372782	6-13, 7-13	372845	6-23	373544	4-31
372783	6-13, 7-13	372846	6-23, 7-21	373545	4-31
372784	6-13, 7-13	372847	6-23, 7-21	373546	4-31
372785	6-13, 7-13	372848	6-23, 7-21	373547	4-31
372786	6-13, 7-13	372849	6-23, 7-21	373548	4-31
372787	6-13, 7-13	372850	6-23, 7-21	373549	4-31
372788	6-11	372851	6-23, 7-21	373584	4-65
372789	6-11, 7-11	372852	6-23	373585	4-65
372790	6-11, 7-11	372853	6-17	374012	3-53
372791	6-11	372854	6-23	374127	2-118
372792	6-11	372897	3-65	374129	3-41, 3-47
372793	6-11	372934	6-3	374133	3-63
372794	6-11, 7-11	372935	6-3	374134	3-63
372795	6-11, 7-11	372936	6-3	374135	3-63
372796	6-7, 7-7	372938	6-7, 7-7	374147	5-27
372797	6-5, 7-5	372939	6-7, 7-7	374148	5-27
372798	6-5	372940	6-7, 7-7	374151	2-37, 5-27
372800	6-15, 7-15	372950	4-59, 4-61	374210	3-45, 3-49
372801	6-15	372951	4-59, 4-61	374228	5-27
372802	6-17, 7-17	373201	4-25	374230	2-63, 2-65, 2-67
372803	6-15, 7-15	373207	4-25	374240	2-79
372804	6-15, 7-15	373211	4-25	374294	4-47, 4-49
372805	6-15, 7-15	373218	4-7, 4-17	37460	4-3, 4-7, 4-13, 4-17
372806	6-15, 7-15	373226	4-31	37462	4-3, 4-7, 4-13, 4-17
372807	6-15, 7-15	373232	4-25	374625	2-118
372808	6-15, 7-15	373235	4-25	374756	2-51

CROSS REFERENCE

Part Number	Page Number	Part Number	Page Number	Part Number	Page Number
374759	4-47	380527	2-55	380667	4-53
374765	4-47, 4-49	380528	2-55, 2-57	380668	4-53
375117	2-37, 2-39	380530	2-37, 2-39	380669	4-53
375193	2-37	380532	2-13	380670	4-53
375400	2-97	380533	2-13	380671	4-53
375401	2-97, 3-27	380535	2-55, 2-57	380673	3-41
375402	2-97	380538	2-37	380675	2-87, 2-89
375403	3-27	380542	2-43	380679	2-55
375404	2-97, 3-27	380547	2-45	380680	2-11
375415	2-101, 3-23	380548	2-45	380681	2-21
375416	2-101, 3-23	380549	2-55	380683	2-81
375417	3-27	380554	2-37	380684	3-41
375511	2-63, 2-65, 2-67	380556	2-47	380689	3-41, 3-47
375512	3-41, 3-47	380558	2-69	380690	3-45, 3-49
375513	2-13	380559	2-11	380691	3-11, 3-13, 3-15
375526	2-79	380564	2-45	380692	2-11, 4-47
375536	2-13	380566	2-81	380697	3-43
375537	2-13	380567	2-81	380712	3-17
37555	4-33	380568	2-81	380717	2-79
375563	2-95, 4-41	380577	4-47, 4-52	380730	2-11
375564	2-29	380578	4-55	380736	2-91
375565	2-29	380579	4-55	380740	2-2
375566	2-29	380581	2-51	380748	2-59
375575	2-73	380587	2-51	380749	2-45
375576	2-73	380589	2-51	380752	2-37
375586	2-63, 2-65	380590	2-51	380754	2-63
375666	2-101	380591	2-47, 2-49	380755	2-137
375676	2-117	380606	3-51	380759	2-47
375679	2-45	380613	3-41, 4-55	380760	2-13
375693	2-15	380614	3-47, 4-57	380761	2-13
375695	2-15	380615	3-41, 3-47	380762	2-13
375696	2-11	380616	4-55, 4-57	380763	2-13
375698	2-11	380617	3-45, 3-49	380764	2-13
375721	2-111	380618	3-41, 3-47	380765	2-11
375726	3-41, 3-47	380619	3-45, 3-49	380766	2-47
375728	3-41, 3-47	380624	3-45	380767	2-47
375751	3-41	380625	3-41, 4-53	380769	2-55
375762	2-73	380626	4-53	380770	2-55, 2-57
37723	4-27, 4-29, 4-31	380627	4-53	380780	2-146
377428	5-3	380628	4-53	381391	2-65, 2-67
377537	2-2	380630	3-41	381962	2-29
377538	2-2	380632	2-51	382507	2-63
377540	2-2	380634	3-35	382516	2-117
37766	4-27, 4-29	380635	3-35	382726	2-29
37828	5-19	380636	3-51	382978	3-15
37943	4-27, 4-29, 4-31	380637	2-55	382979	3-33
37973	5-23	380640	3-15	383165	2-117
380503	3-65	380643	3-11	384156	4-51
380505	2-37	380644	3-13	388407	4-55, 4-57
380507	2-37, 2-39	380649	4-55, 4-57	388548	5-19
380511	2-37	380650	4-55, 4-57	39005	2-41
380512	2-43	380651	4-55	391823	2-55
380514	2-81	380652	4-55	391841, 2-97	
380518	3-43	380659	4-55, 4-57	39210	2-23, 2-27, 2-91
380520	2-37, 2-39	380660	4-57	392597	2-57
380521	2-37	380661	3-45, 3-49	39277	2-57, 2-63, 2-65, 2-67, 2-115, 6-8, 6-15, 6-17, 6-19, 6-25, 6-26
380523	2-134	380662	3-45, 3-49		
380524	2-59	380663	3-41, 3-47		
380525	2-59	380665	3-45		
380526	2-51	380666	4-53	39278	2-73

CROSS REFERENCE

Part Number	Page Number	Part Number	Page Number	Part Number	Page Number
39279	2-79	41186	2-29, 2-63, 2-65, 2-67, 2-71, 2-115, 3-23	47512	2-23, 2-45, 2-63, 2-65, 2-67
39281	6-21			47522	2-73
39283	2-7, 2-9, 2-98, 2-102, 2-105, 3-23, 3-28, 6-12	41342	2-97, 2-101, 3-28, 6-7, 6-21	47585	2-115
39284	2-33, 2-39, 2-97, 2-102, 3-23, 3-28	41346	2-39, 2-57, 2-105	47637	3-27
39285	2-81	41348	3-43	47638	2-23, 2-95
39305	2-73	41430	2-29, 2-39, 2-63, 2-65, 2-67, 2-81, 2-98, 2-102, 2-111, 3-23, 3-28	47753	3-27
39309	2-39			47754	2-45
39311	2-17, 2-53, 2-97, 3-24, 3-28	41434	3-37	47958	2-13
39312	2-97, 3-28	41619	2-13	48006	2-19
39313	2-15, 2-17, 2-25	41722	2-81	48014	2-47
393219	3-43	42011	3-61, 4-49	48056	2-63, 2-65, 2-67
393349	4-53	42124	3-53	48069	2-33
39346	2-7, 2-9, 2-73	42207	2-97	48267	2-55
39349	2-25, 3-3, 3-7, 6-7, 6-8, 6-9, 6-11, 6-13, 6-15, 6-17, 6-19, 6-21, 6-23, 6-25, 6-26	42215	2-91, 2-95, 3-23	48842	3-65
39350	2-73	42226	2-37, 2-113	49032	3-37
393665	5-11	42260	2-19, 2-91	49263	2-5, 2-115
393675	5-19	43242	3-41, 3-47	49266	2-35, 2-45, 2-55, 2-57, 3-3, 3-5, 3-7, 3-9, 3-11, 3-13, 3-15, 3-17, 3-61, 3-63
393676	5-19	43454	2-13, 2-35, 3-61	49282	2-11
393767	5-25	43500	2-2, 2-5	49766	3-61
393768	5-25	43555	2-33, 2-47, 2-49	49933	2-95
393769	5-25	43558A	3-41	50474	4-47
393770	3-15, 3-33	43611	2-41	50902	2-39, 2-63, 2-65, 2-67, 2-105, 2-113, 3-37, 3-43
39394	2-3	43844	2-57, 2-61	50960	2-63, 2-65, 2-67
394921	2-146	43952	3-37	51021N	2-3
39527	4-32	43955	2-7, 2-9	51109	2-79
39534	2-113	43958	2-73	51176	2-11
397779	4-47	44078	2-115	51193	2-75
39810	2-83	44681	3-7, 3-13	51305	2-61, 2-63, 2-65, 2-67
398314	2-141	44681-1	3-7, 3-9, 3-13	51322	2-19, 2-63, 2-65, 2-67
39923	2-35, 3-61	44681-2	3-7, 3-13	51338	2-75
40380	4-27	44777	2-11	51340	2-73
40514	2-91	44851	2-15, 2-17, 3-35	51341	2-73
40573	3-41, 3-47	44868	2-93, 3-27	51373	2-75
40585	2-55, 2-57	44869	2-93, 2-95, 2-105, 2-113	51448	2-105
40607	2-35, 3-61	44906	2-63	51449	2-105
40678	2-35, 3-61	44961	3-61	51483	2-79
40716	2-11	45142	3-41, 3-47	51531	3-53
40870-8	2-111	45177	2-47	51534	2-107
41016	3-41	45272	3-3, 3-5, 3-7, 3-9	51542	2-3
41073	2-73	45482	2-93, 3-27	51545	2-79
41130	2-111	45622	4-27, 4-29, 4-31	51560-5	2-49
41131	2-101, 2-109	45623	4-27, 4-29, 4-31	51562	2-79
41139	3-17	45628	4-32, 4-33	51564	2-105
41140	2-51, 3-17	45779	3-3, 3-5, 3-7, 3-9, 3-11, 3-13	51693	2-109
41141	3-33, 3-43	45780	2-5	51782	2-45
41142	2-39, 2-43	45786	2-77	51787	2-19, 2-29
41169	2-81	46236	2-79, 3-61	51813	2-101, 3-23
41178	2-7, 2-9, 2-11, 2-47, 3-35	46481	2-19, 2-83	52402	2-45, 2-63, 2-65, 2-67, 2-95
41185	2-7, 2-9, 2-17, 2-97, 3-28	46482	3-23	53434	2-105, 4-32
		46559	2-81	53461-2	2-13, 2-15, 2-17
		46800	2-63	53601	2-73, 4-44
		47504	2-83, 2-95, 2-101		
		47508	2-83, 2-97, 3-27		

CROSS REFERENCE

Part Number	Page Number	Part Number	Page Number	Part Number	Page Number
54009	3-53	58228	2-63, 2-65, 2-67, 2-111	62377	2-59
54012	3-53			62389	2-83
54222	2-81	58242	4-23	62561	2-83, 4-23
54274	2-113	58270	4-32	62595-2	2-11
54275A	2-113	58278	4-32	62595-3	2-11
54527	2-47	58293	2-21	62954	2-2, 2-5
54528	2-47	58357	2-33	62955	2-2, 2-5
54615	2-11	58359	2-23	62956	2-2, 2-5
54833	2-73	58366	2-13	62957	2-2, 2-5
54845	2-57	58489	2-7, 2-15, 2-17	63182-2	2-61
54862	2-113	58490	4-49	63228	3-58
54878	2-105	58518	3-3, 3-5, 3-9, 3-11	63233	2-33
55248	2-55, 2-57, 3-3, 3-5, 3-7, 3-9, 3-11, 3-13, 3-15, 3-63	58519	3-3, 3-5, 3-9, 3-11	63234	2-33
		58520	3-3, 3-5, 3-11	63276	2-81
		58524	2-29	63292	2-81
55586	2-91, 2-105	58596	4-37	63294	2-11
55685	2-95	58844	2-9, 2-13	63295	2-79
55686	2-23	58858	2-83, 2-91	63297	2-33
55700	2-87, 2-89	58898	2-7, 2-9	63311	2-33
55756	2-13	59015	2-55, 2-57	63378	2-29
55779	2-105	59156	3-43	63407	3-64
55844	2-55	59192	2-13, 2-15, 2-17	63416	2-63, 2-101, 3-23, 3-27, 4-47
55845	2-13	59305	4-23		
55850	2-55	59577	2-93	63426	2-73, 4-27
56185	2-115	59633	2-33	63436	2-105
56186	2-117, 2-118, 3-3, 3-5, 3-7, 3-9, 3-11, 3-13, 3-45, 3-49, 3-61	59661	2-19	63449	2-105
		59668	2-81	63450	2-105
		59672	2-81	63471	2-73
		59767	2-147	63491	2-73
56346	2-117	59866	2-23	63496	2-73
56398	2-115	59901	3-41, 3-47	63540	2-73
56690	2-93, 2-101, 2-115, 3-23, 3-27	59921	3-61	63541	2-105
		59954	3-61	63542	2-63, 2-65, 2-67, 4-35
56692	2-83, 2-113	59965	2-21, 3-15		
56820	2-73, 2-101	59970	2-117	63543	2-73
56821	2-113	59971	2-117	63544	2-5
56992	3-49	59974	2-117	63583	2-23
57048	2-37, 2-39	59976	2-117	63584	2-23
57167	2-118, 4-57	59977	2-117	63647	2-25
57173	2-87, 2-89	59978	2-117	63663	2-5
57311	2-79	59979	2-117	63665	2-25
57411	2-95	60090	2-37, 5-27	63667	2-25
57532	3-41, 3-47	60294	2-69	63668	2-25
57568	2-89	60559	2-43	63669	2-25
57751	2-118, 3-35	60751	3-17	63671	2-31
57772	2-101	60933	2-2, 2-47	63695	2-37, 2-39
57773	2-37, 2-39	60934	2-2, 2-47	63751	2-11
57803	2-118, 3-35	61288	2-91	63818	2-63, 2-65, 2-67
57807	2-101, 2-107, 2-117, 3-23	61363	2-43	63926	2-21
		61365	3-17	64058	2-77
57809	3-61	61490	4-32, 4-33	64141	2-117
57820	2-11, 2-15, 2-17	61529	2-43	64156	2-23
57936	2-21, 2-23	61531	2-43	64228	2-93
57941	2-5	61882	4-3, 4-7, 4-13, 4-17	64233	2-107
57944	2-87, 2-89	61886	4-5, 4-9, 4-15, 4-19	64278	2-13
57963	2-87, 2-89, 3-31	61923	3-15	64279	2-13
57988	2-95	61931	2-43	64299	2-111
57993	2-93	61969	2-107, 2-117	64312	2-13
57994	2-91	62172	2-95	64392	2-33
58114	2-111	62173	2-95	64394	2-33

CROSS REFERENCE

Part Number	Page Number	Part Number	Page Number	Part Number	Page Number
64410	2-33	65224	2-87, 2-89	70611	4-61
64419	2-19	65226	4-23	70612	4-59
64434	2-95	65227	4-27	70613	4-59, 4-61
64500	2-33	65232	4-33	70615	4-59, 4-61
64501	2-33	65235	4-37	70617	4-59, 4-61
64543	2-15, 2-17	65240	4-43	70618	4-59, 4-61
64545	2-15, 2-17	65242	2-115, 4-37	70620	3-35
64556	2-79	65245	2-117	70622	2-115
64558	2-79	65248	2-107	70623	2-115
64559	2-33	65249	2-107	70626	2-97, 3-27
64567	2-33	65252	2-19	70627	2-97, 3-27
64580	2-33	65258	3-19	70628	2-15, 2-17
64586	2-115	65278	2-29	70649	2-3
64618	2-33, 2-63, 2-65, 2-67, 2-111	65281	2-29	70650	2-33
64621	2-33, 2-63, 2-65, 2-67, 2-111	65561	2-101, 3-23	70651	2-33
64631	2-115	66020	2-3	70659	3-53
64635	2-79	67310	2-83	70668	3-53
64651	2-115	67366	2-97, 3-27	70669	3-19
64655	2-115	67683	3-27	70686	3-20
64757	4-47	67767	2-23, 2-73	70690	3-59
64788	2-2, 2-7, 2-9	68445	3-37	70692	3-57
64801	2-7	68866	2-81	70699	3-33
64802	2-9	68986	2-2, 2-45	70705	2-147
64811	2-105	69234	2-93, 2-111	70709	2-115
64873	2-33	69266	3-47	70717	2-115
64874	2-33	69495	2-41	70725	2-81
64884	2-11	69904	2-5	70730	2-29
64886	2-73	69906	2-29	70742	2-29
64887	2-73	70006	2-91	70747	2-81
64893	2-27	70072	2-91	70749	2-81
64905	2-95	70160	2-43	70752	2-41
64919	2-2, 2-5	70165	2-37	70756	2-11
64920	2-2, 2-5	70173	2-55, 2-57	70761	2-29, 3-37
64950	2-79	70218	2-115	70762	2-29
65129	2-79	70219	2-115	70775	2-113
65145-1	2-83	70388	2-25	70783	2-81
65160	2-97, 3-27	70398	2-118	70790	2-113
65168	2-97	70400	2-136	70793	3-21
65170	2-97	70402	2-118	70802	3-21
65173	2-97, 3-27	70407	2-15, 2-17	70808	2-9
65174	2-97, 2-101, 3-23, 3-27	70411	2-118	70809	2-7
65180	2-97, 3-27	70431	2-97, 3-27	70810	2-113
65188	2-87, 2-89	70450	2-11	70815	3-21
65191	2-87, 2-89	70453	2-2, 2-7, 2-9	70825	2-111
65194	2-87, 2-89	70454	3-19	70827	2-95
65195	2-87, 2-89	70477	2-55, 2-57	70843	2-5
65196	2-87	70478	2-11	70844	2-5
65197	2-87, 2-89	70506	2-79	70847	2-95
65199	2-87, 2-89	70521	2-97	70851	3-61
65202	2-87	70524	2-97, 3-27	71384	2-37
65204	2-87, 2-89	70525	2-97, 3-27	71385	2-37
65205	2-87, 2-89	70526	2-97, 3-27	71387	2-118
65212	2-87, 2-89	70532	2-101, 3-23	71388	2-37
65213	2-87, 2-89	70536	2-147	71552	2-87, 2-89
65215	2-91	70538	2-3	71725	4-25
65221, 2-2, 2-19		70550	2-79	72970	2-115
65222	2-19	70597	2-7	72979	3-41, 3-47
		70598	2-9	73292	2-45
		70603	4-59, 4-61	73293	2-45
		70609	4-59, 4-61	73645	2-5

CROSS REFERENCE

Part Number	Page Number	Part Number	Page Number	Part Number	Page Number
73646	2-111	74111	4-37	74273	4-3, 4-7, 4-11
73648	2-7	74112	4-37	74274	4-5, 4-9, 4-15, 4-19
73649	2-9	74132	4-27	74275	4-5, 4-9, 4-15, 4-19
73650	2-111	74133	4-27	74276	4-3, 4-7, 4-13, 4-17
73654	2-2, 2-7, 2-9	74134	4-27, 4-29	74277	4-5, 4-9, 4-15, 4-19
73678	2-25	74135	4-27, 4-29, 4-31	74278	4-5, 4-9, 4-15, 4-19
73679	2-25	74136	4-27, 4-29, 4-31	74279	4-5, 4-15
73685	2-111	74137	4-27, 4-29	74280	4-3, 4-7, 4-13, 4-17
73724	2-5	74142	2-115	74281	4-3, 4-7, 4-13, 4-17
73727	2-35	74145	4-39	74282	4-5, 4-9, 4-15, 4-19
73731	2-73	74146	4-43	74283	4-3, 4-5, 4-7, 4-9, 4-13, 4-15, 4-17, 4-19
73733	2-73	74148	4-23		
73734	2-33	74149	4-23		
73736	2-117	74150	4-23	74391	2-101, 3-23
73737	2-101, 3-23	74151	4-23	74455	2-25, 3-37, 3-61
73749	2-25	74152	4-23	74944	2-61
73751	3-5	74153	4-23	75010	2-3
73753	3-9	74154	4-23, 4-25	75011	2-3
73755	3-3	74156	4-23	75012	2-27
73757	3-7	74157	4-23	75028	2-97
73771	2-25	74158	4-23	75046	2-29
73772	2-25	74159	4-23	75047	2-29
73799	2-41	74160	4-23	75099	3-27
73862	2-5	74161	4-23, 4-25	75117	3-27
73863	2-5	74163	2-83	75128	2-13
73870	2-2, 2-7, 2-9	74164	3-64	75142	3-27
73871	3-53	74174	4-37	75303	2-13
73880	3-53	74182	4-37	75428	2-11
73887	2-25	74184	4-3, 4-7, 4-13, 4-17	75456	2-111
73888	2-2, 2-7, 2-9	74190	4-37	75456-1	2-111
73898	3-3, 3-5, 3-7, 3-9	74194	4-37	75456-2	2-111
73899	3-3, 3-5, 3-7, 3-9	74195	4-37	75456-3	2-111
73901	2-11	74210	4-3, 4-7, 4-13, 4-17	75456-4	2-111
73903	2-11	74214	4-29, 4-31	75465	2-35, 3-61
74000	3-3, 3-5, 3-7, 3-9	74218	4-37	75575	2-79
74007	3-19	74220	4-29, 4-31	75603	2-51
74015	2-29	74223	4-3, 4-7, 4-13, 4-17	75612	2-105
74022	2-79	74233	4-34, 4-35	75666	2-47, 2-49
74040	2-13	74240	4-3, 4-7, 4-13, 4-17	75701	3-53
74045	2-25	74246	4-29, 4-31	75768	2-37, 2-39
74046	2-25	74250	4-33	75828	3-51
74051	2-81	74251	4-37	75854	2-55, 2-57
74059	2-97, 3-27	74253	4-3, 4-13	75861	2-21
74060	2-97	74254	4-3, 4-7, 4-13, 4-17	75876	3-53
74062	2-7	74256	4-3, 4-7, 4-13, 4-17	75877	3-53
74063	2-9	74257	4-3, 4-7, 4-13, 4-17	75881	3-37
74064	2-5	74258	4-3, 4-7, 4-13, 4-17	75883	2-13
74066	2-5	74259	4-5, 4-9, 4-15, 4-19	75891	2-23
74067	2-5	74260	4-5, 4-15	75899	3-27
74069	2-25	74261	4-5, 4-15	75901	3-55
74074	3-53	74262	4-3, 4-7, 4-13, 4-17	75968	2-115
74081	2-11	74263	4-3, 4-13	75989	3-55
74082	2-63, 2-65, 2-67	74264	4-5, 4-15	76030	3-55
74090	2-101, 3-23	74265	4-3, 4-7, 4-13, 4-17	76036	3-55
74094	4-33	74266	4-3, 4-7, 4-13, 4-17	76038	3-55
74098	4-29, 4-43	74267	4-3, 4-7, 4-13, 4-17	76049	3-55
74100	4-33	74268	4-43	76055	3-55
74101	4-33	74270	4-5, 4-9, 4-15, 4-19	76069	3-55
74109	4-37	74271	4-5, 4-9, 4-15, 4-19	76074	3-55
74110	4-37	74272	4-3, 4-7, 4-13, 4-17	76081	3-55

CROSS REFERENCE

Part Number	Page Number	Part Number	Page Number	Part Number	Page Number
76084	3-55	764803	5-21	77532	2-111
76099	3-37	764804	5-21	77553	2-111
76100	3-55	764812	5-15, 5-19, 5-31	77555	3-51
762094	5-31	764835	2-37	77558	2-55, 2-57
76285	2-11	764836	5-3	77569	3-23
76286	3-53	76487	2-25	77575	2-93
763113	2-111	76490	2-79	77578	2-109
763114	2-67	76491	2-79	77579	2-69
763116	2-41, 3-41	76492	2-11	77580	2-109
76316	2-91	76494	2-11	77583	2-109
76321	2-47	76495	2-11	77584	2-101, 3-23
76338	3-53	76497	2-87, 2-89	77593	2-5
763483	4-23	76498	2-87, 2-89	77597	2-101, 3-23
76383	2-51	765049	5-27	77600	2-101, 3-23
76384	2-25	765052	5-25	77601	2-101
76385	3-15, 3-33	765053	5-25	77602	2-69, 2-71
763887	5-13	76516	3-35	77605	2-101, 2-109
76406	3-53	76522	3-35	77611	3-20
76423	3-17	76523	2-81	77613	3-20
76438	2-97, 3-28	76570	2-101, 2-111, 3-23, 3-43, 6-19	77632	2-2
764402	5-5	76647	2-81	77634	2-2
764403	5-29	76653	2-79	77640	2-87, 2-89
764407	5-23	76684	3-31	77641	2-87, 2-89
764408	5-11, 5-33	76736	2-55, 2-57	77652	3-35
764409	5-11, 5-13	767407	2-83	77669	2-101
764410	5-32	768482	2-115	77682	2-101
764412	5-13	76870	2-13	77693	2-41
764414	5-13	76888	2-11, 2-118	77711	2-13
764418	5-11	768897	2-63	77727	2-101, 3-23
764420	5-23	76898	3-37	77734	2-5
764421	5-9, 5-11, 5-13, 5-19, 5-31	76907	2-55	77738	3-23
764422	5-11, 5-23	76996	4-47	77752	3-24
764425	5-7	77097	2-27, 2-93, 2-101, 2-107, 2-113, 3-23	77755	3-55
764432	5-19	77340	2-11	77759	3-55
764433	5-19	77388	2-29	77768	4-59
764466	5-7	77394	2-29	77769	4-61
764468	5-3	77399	2-11, 2-13	77770	2-75, 4-61
764469	5-3, 5-7	77400	2-29	77777	2-5
764517	5-31	77430	2-37, 2-39	77778	2-13
764556	5-31	77434	2-37, 2-39	77782	2-5
764560	5-13	77435	2-37, 2-39	77783	3-23
764561	5-19	77452	2-63, 2-65, 2-67	77789	2-41
764575	5-11, 5-13	77458	3-23	77790	2-75, 4-59
764604	5-25	77459	2-101, 3-23	77800	4-51
76461	3-27, 3-31	77463	2-21	77801	4-51
764614	5-31	77471	2-33	77802	4-51
764620	5-13, 5-32	77473	2-87, 2-89	77803	4-51
764653	5-11	77485	2-95	77804	4-51
76470	2-21	77488	2-95	77805	4-51
764707	5-17	77490	2-69	77807	4-51
76471	2-21	77491	2-95	77808	4-51
764716	5-27	77492	2-95	77809	4-51
764717	5-27	77493	2-95	77811	3-41, 3-47
764731	5-3	77498	2-95	77812	4-47
76474	2-25	77499	2-95	78043	2-55, 2-57
764769	5-31	77516	2-31	78750	2-59
764785	5-3	77523	2-31	78772	2-43
764794	5-19	77531	2-111	78998	3-31
764802	5-19			79010	2-5

CROSS REFERENCE

Part Number	Page Number	Part Number	Page Number	Part Number	Page Number
79019	2-29	79757	4-11, 4-21	83553	2-21, 2-23
79025	3-61	79758	4-11, 4-21	83554	2-21, 2-23
79026	3-61	79759	4-11	83555	2-23
79028	2-11, 2-109	79760	4-11, 4-21	83557	3-21
79032	2-2	79761	4-11, 4-21	83581	2-43
79116	2-11	79762	4-11, 4-21	83618	2-27
79138	2-27	79763	4-11, 4-21	83620	2-31
79139	2-25	79764	4-11, 4-21	83622	2-31
79140	2-73	79765	4-11, 4-21	83626	3-21
79151	2-75	79766	4-11, 4-21	83627	3-21
79152	2-73, 2-75	79767	4-11, 4-21	83644	2-55, 2-57
79153	2-73, 2-75	79771	4-3, 4-13	83692	3-51
79155	3-61	79772	4-21	83695	2-135
79156	3-61	79774	4-21	83699	3-30
79157	3-61	79776	4-11, 4-21	83706	3-61
79158	3-61	79777	4-21	84014	2-93, 4-43
79159	3-61	79779	4-3, 4-7, 4-13, 4-17	84015	2-113, 3-27, 4-38
79160	3-61	79781	2-97, 3-27, 4-33	84016	2-101, 3-23, 4-39
79167	3-61	79782	4-33	84103	2-81
79168	3-61	79786	4-41	84579	2-51
79169	3-61	79787	4-41	84581	2-97, 3-27
79170	3-61	79788	4-41	86034	2-79
79172	3-61	79789	4-41	86041	2-43
79174	3-61	79790	4-41	86328	3-47
79176	3-61	79791	4-41	86381	2-11
79177	3-61	79792	4-41	86798	2-5
79506	2-25	79793	4-41	86824	3-41, 3-47
79591	2-29	79794	4-41	86953	2-81
79593	2-79	79795	4-41	87246	2-41
79594	2-79	79797	4-41	87319	2-11
79596	2-27	79798	4-41	87337	3-59
79597	2-25	79799	4-41	87396	2-55, 2-57
79600	2-25	79812	4-41	87515	2-5
79621	3-27	79820	4-41	87536	2-117
79622	3-27	79822	4-41	87579	4-55, 4-57
79642	2-87, 2-89	79823	4-41	87583	2-118
79644	3-53	79824	4-41	87631	2-105
79646	3-53	79872	2-73	87866	2-117
79647	3-53	80395	2-101, 3-23	87948	3-17
79648	2-117	82063	3-3, 3-5, 3-11	87972	2-63
79674	3-53	82168	2-81	9000845	3-7, 3-9, 3-13
79676	2-5	82200	3-7, 3-9, 3-13	9000846	3-3, 3-5, 3-11
79708	4-5, 4-15	82661	2-51	9000879	3-3, 3-5, 3-7, 3-9, 3-11, 3-13
79711	4-38, 4-39, 4-43	82727	2-13, 4-57	9001070	2-63, 2-65
79719	4-39, 4-43	82731	2-43	9001183	2-63
79728	4-39, 4-43	82733	2-113	9001293	2-81
79731	4-38, 4-43	82739	2-35, 3-61	9001554	2-65, 2-67
79739	4-38, 4-43	82820	2-87, 2-89	9001702	4-45
79740	4-38, 4-39, 4-43	82825	2-27	9003796	6-17, 7-17
79742	4-3, 4-7, 4-13, 4-17	82830	2-19	9003905	2-53
79747	4-3, 4-7, 4-13, 4-17	82832	2-73	9004033	6-17, 7-17
79748	4-5, 4-9, 4-15, 4-19	82835	2-87, 2-89	9004034	6-17, 7-17
79749	4-5, 4-9, 4-15, 4-19	82839	2-81	9004035	6-17, 7-17
79750	4-5, 4-9, 4-15, 4-19	82843	2-87, 2-89	9004327	2-17
79751	4-5, 4-9, 4-15, 4-19	82921	2-11	9005181	7-17, 7-22, 7-23
79752	4-5, 4-9, 4-15, 4-19	82962	3-53	9005182	7-7, 7-9, 7-15, 7-17, 7-18, 7-19, 7-21, 7-23
79753	4-5, 4-9, 4-15, 4-19	83547	2-31	9005183	7-7, 7-15, 7-21, 7-23
79754	4-11	83548	2-31		
79755	4-11, 4-21	83549	2-21		
79756	4-11, 4-21	83551	2-21		

Part Number	Page Number	Part Number	Page Number
9005184	7-19, 7-23	9005251	7-19
9005185	7-11, 7-13, 7-15, 7-18, 7-19, 7-21, 7-22, 7-23	9005252	7-19
9005186	7-5	9005253	7-19
9005188	7-5	9005254	7-19
9005189	7-5	9005255	7-19
9005190	7-7, 7-9, 7-15	9005256	7-18, 7-19, 7-21
9005191	7-9	9005257	7-3
9005192	7-18	9005258	7-3
9005193	7-18	9005259	7-3
9005194	7-15, 7-18	9005260	7-3
9005195	7-7	9005261	7-5
9005196	7-5	9005262	7-5
9005197	7-3	9005263	7-15
9005198	7-3	9005264	7-21
9005199	7-3	9005265	7-21
9005200	7-3	9005266	7-21
9005201	7-3	9005269	7-17
9005202	7-7	9005276	7-15
9005203	7-7	9005277	7-8
9005204	7-7	9005430	7-3
9005205	7-7	9005504	7-21
9005206	7-7	9006204	3-65
9005207	7-7, 7-8	9006741	2-67
9005208	7-11, 7-13, 7-15, 7-21	9007131	3-15
9005209	7-15, 7-19	9007651	3-35
9005210	7-19	9008645	2-73, 2-83, 2-87, 2-89
9005215	7-22	9009006	4-49
9005216	7-11		
9005217	7-11		
9005218	7-11		
9005219	7-11		
9005220	7-11, 7-21		
9005221	7-17		
9005222	7-17		
9005223	7-17		
9005224	7-17		
9005225	7-17		
9005227	7-12		
9005228	7-11, 7-12, 7-17		
9005229	7-12, 7-21		
9005231	7-11		
9005233	7-11		
9005234	7-11		
9005235	7-11		
9005236	7-11		
9005237	7-11		
9005238	7-11, 7-17		
9005239	7-11		
9005240	7-11		
9005241	7-11		
9005242	7-11		
9005243	7-11		
9005244	7-11		
9005245	7-11		
9005248	7-21		
9005249	7-21		
9005250	7-21		

PART DESCRIPTION TO PAGE NUMBER CROSS REFERENCE LIST

A

A/C Hose #6 134A, 4-55
 A/C Hose#10 134A, 4-55
 A/C Hose#6 134A 9.0L, 3-41
 Actuator, Valve En, 4-5, 4-9, 4-15, 4-19
 Adapter, 5-15
 Adaptor, 5-3
 Adaptor Wldt, Vac Wand, 3-53
 Adaptor, Governor, 2-37
 Adaptor, Oil Filter Rework, 2-45
 Adaptor, Neutral En, 4-21
 Adjuster, 5-14
 Adjuster, Manual, 4-59, 4-61
 Alarm Assy, Backup, 12/48vdc, 3-15
 Alternator, 3-51, 6-26, 7-23
 Alternator, 50A/12V Mando, 2-43
 Angle, 3-53
 Angle, Bolt, Latch, 2-15, 2-17
 Angle, Dust Seal, 2-25
 Angle, Mount, 2-29
 Angle, Retainer, Lip, 2-25
 Angle, Retainer, Seal, 2-7, 2-9
 Arm, 5-15
 Arm Wldt, Hopper Lift w label, 2-21
 Arm Wldt, M Br, Idler, 2-105
 Arm Wldt, M Br, Motor, 2-105
 Arm, Adj, Compressor, A/C, .18 1.3w 3.4l, 3-43
 Arm, Adjmt, A/C, 3-43
 Arm, Alternator, 3-51
 Arm, Cntrl, Pintle, 2-81
 Arm, Control En, 4-3, 4-7, 4-13, 4-17
 Arm, Lift, Hppr, Lower, 2-21
 Arm, Rocker, 6-8
 Arm, Safety W/Label, 2-21
 Arm, Wiper, Windshield, 4-47
 Armrest, Black, 2-11, 4-49
 Atomiser, 5-19

B

Backing Plate Rh, 4-59
 Backplate S/A En, 4-5, 4-9, 4-15, 4-19
 Ball, 4-27, 4-29
 Ball Bearing, 5-15
 Ball En, 4-21
 Ball Joint .375-24, 3-53
 Balljoint .375-24 Lh, 3-53
 Balljoint, Rod End, 2-73
 Band, Mtg., 2-47
 Bar Wldt, Brush Pressure, 2-105
 Bar Wldt, Pivot, 2-81
 Bar, Cylinder End, 2-23
 Bar, Equalizer, 2-79
 Bar, Frame, 2-5
 Bar, Prop, 3-53
 Bar, Retainer, 2-11
 Bar, Retainer, Dust Seal, 2-25
 Bar, Shaker Stem, 2-33
 Battery, 12V, Wet, 2-69, 2-71

Bearing, 2-33, 2-97, 2-101, 3-23, 3-27, 4-3, 4-5, 4-7, 4-9, 4-13, 4-15, 4-17, 4-19, 4-32, 5-15
 Bearing [-0.25mm], 6-5, 7-5
 Bearing [-0.50mm], 6-5, 7-5
 Bearing [-0.75mm], 6-5, 7-5
 Bearing [0.50mm], 6-5
 Bearing Kit, 5-5
 Bearing Thrust, 4-33
 Bearing-Ball, 1.38B 2.83D 0.67W, 2-105
 Bearing-Cone, 1.38Bore 0.72Wth, 2-75
 Bearing-Cone, 1.50Bore 0.75Wth, 2-75
 Bearing-Cone, 2.63Bore 0.87Wth, 2-73
 Bearing-Cup, 4.33Dia 0.74Wth, 2-73
 Bearing-Cup, 2.56Dia 0.55Wth, 2-75
 Bearing-Cup, 2.72Dia 0.59Wth, 2-75
 Bearing-Flange, 2 Hole 0.50Bore, 2-115
 Bearing-Journal, 2-21, 2-23
 Bearing, Ball, 6-13, 7-13
 Bearing, Fiberglide, 2-81
 Bearing, Fiberglide .50 X .50, 2-33
 Bearing, Flange .500B, 2-115
 Bearing, Flange .625 Bore, 2-29, 3-53
 Bearing, Flange .875 Bore, 2-97, 3-27
 Bearing, Journal, 2-23, 2-27
 Bearing, Kit [Cat 08], 7-5
 Bearing, Needle, 4-37
 Bearing, Nylon, 2-29, 3-61
 Bearing, Nylon .50B, 2-95
 Bearing, Rod, Connecting, 6-5, 7-5
 Bearing, Std, 6-5, 7-5
 Bearing, Thrust - Fiberglide, 2-33
 Bearing, Ball. 669B 1.575D .472W, 2-43
 Bearing&Clr, 1.25B 2.44D 1.41W, 2-105
 Bearing-Journal, 2-21
 Bell Crank, 4-11
 Bell Crank En, 4-21
 Belt, Pump, Water, 2-39, 6-17, 7-17
 Belt, Seat, 3-59
 Belt, V, 3-51
 Belt, V, 40.30l [Ax], 3-43
 Blade, Deflector, 2-2, 2-5
 Blade, Wiper, Windshield, 4-47
 Block, 3-23
 Block Group, Cyl, 6-3
 Block, Cyl [Cat 08], 7-3
 Block, Fuse, 2-11
 Block, Long, 5-3
 Blower, Heat/Ac, 4-55, 4-57
 Body, 4-25
 Body Assembly, 4-23
 Body Assy, 4-23
 Bolt, 4-27, 4-29, 5-19, 5-21
 Bolt [Cat 08], 7-7, 7-9, 7-11, 7-12, 7-13, 7-15, 7-17, 7-18, 7-19, 7-21, 7-23
 Bolt [Cat], 7-17, 7-22, 7-23
 Bolt Assy [Cat 08], 7-21
 Bolt-Eye M8-1.25, 2-97, 3-27
 Bolt, Bracket, 6-8
 Bolt, Carriage, .38-16 X 1.00, 2-105
 Bolt, Latch, 2-7, 2-9

Bolt, Motor, Hyd, 4-31
 Bolt, Rod, Connecting, 6-5, 7-5
 Bolt, Shld, .50d X 0.50, .38-16, 2-97, 3-27
 Bolt, U, 3-41, 3-47
 Boot, 2-115
 Boot-Circuit Breaker, 2-118
 Boot, 90deg .44id 0.62id 1.69l, Blk, 3-17
 Boot, Circuit Breaker, 2-118, 3-35
 Boot, Circuitbreaker, 3-35
 Boot, Electric (Altern, 2-43
 Boot, Str .42ID .12H .25L, 2-43
 Boot, Switch, 2-117
 Boot, Switch, Ignition, 2-117
 Box Assy, Heat, 4-57
 Box Assy, Heat (See Breakdowns), 3-47
 Box Assy, Heat/Ac, 4-55
 Box Assy, Heat/Ac (See Breakdowns), 3-41
 Box, Mounting, Lever, Vac, 3-53
 Brace Wldt, Bumper, Se, 3-21
 Bracket, 2-55, 3-3, 3-5, 3-7, 3-9, 3-15, 3-55, 5-9, 6-8, 6-15, 6-23, 7-15, 7-21
 Bracket Kit, Mtg, Cable, Replmt[800/810], 2-81
 Bracket Wldt, 3-55
 Bracket Wldt, Compressor, A/C, 3-43
 Bracket Wldt, Fan Inlet, 2-111
 Bracket Wldt, Gas Spring, 2-13
 Bracket Wldt, Lift, 3-27
 Bracket Wldt, Mounting, Valve, 2-95
 Bracket Wldt, Mtg, Battery, 2-71
 Bracket Wldt, Mtg, Engine Rear, 2-37, 2-39
 Bracket Wldt, Mtg, Guard, Side Brush, 2-97
 Bracket Wldt, Mtg, Headlight, 2-31
 Bracket Wldt, Mtg, Motor, 2-67
 Bracket Wldt, Mtg, Motor [2007], 2-67
 Bracket Wldt, Pivot, 3-27
 Bracket Wldt, Steering Tilt, 2-115
 Bracket, Adjuster, Brake, 2-79
 Bracket, Angle, 2-97, 2-111, 3-23, 3-27, 3-33
 Bracket, Arm, Steering, 2-73
 Bracket, Battery, 2-69
 Bracket, Belt Guard, A/C, 3-43
 Bracket, Brace Center, 2-13
 Bracket, Brush Lift, Main, 2-107
 Bracket, Eng, 2-39
 Bracket, Flasher, 3-17
 Bracket, L 12.0L Hood Support, 2-13
 Bracket, L, 2.20, 2.00, .18T, 1., 2-63, 2-65, 2-67
 Bracket, Latch, Sppt, 4-49
 Bracket, Lh, 2-29
 Bracket, Lift, 2-97
 Bracket, Mirror, Mtg, 3-37
 Bracket, Mounting, 2-93
 Bracket, Mounting Motor, 2-113

Bracket, Mounting, Eng Rear Rh, 2-37, 2-39
 Bracket, Mounting, Eng, Rear, 2-37, 2-39
 Bracket, Mounting, Eng, Rear Lh, 2-37, 2-39
 Bracket, Mounting, Gearmotor, 3-61
 Bracket, Mounting, Headlamp, 2-29
 Bracket, Mounting, Motor, 2-97, 3-27
 Bracket, Mounting, Skirt, 3-55
 Bracket, Mtg, Alternator Perki, 2-43
 Bracket, Mtg, Battery, 2-69
 Bracket, Mtg, Eng, Front, Rh, 2-39
 Bracket, Mtg, Engine Front Lh, 2-37
 Bracket, Mtg, Engine Front Rh, 2-37, 2-39
 Bracket, Mtg, Filter, Fuel, 2-55, 2-57
 Bracket, Mtg, Fltr, Oil, W/ Label [800], 2-63
 Bracket, Mtg, Fltr, Oil, W/Label [800], 2-63, 2-65, 2-67
 Bracket, Mtg, Ftg, 2-27
 Bracket, Mtg, Light, Rotating, 3-5, 3-9
 Bracket, Mtg, Mirror, 3-37
 Bracket, Mtg, Ohg, 3-19
 Bracket, Mtg, Propel Cable, 2-81
 Bracket, Mtg, Propel, Cable, 2-81
 Bracket, Mtg, Skirt, 2-25
 Bracket, Mtg, Switch, 2-39
 Bracket, Mtg, Tank, Coolant F/87972, 2-63
 Bracket, Mtg, Valve, 2-113
 Bracket, Mtg, Valve, 3-41, 3-47
 Bracket, Oper Comp, 2-11
 Bracket, Pipe, Exhaust, 2-53
 Bracket, Pivot, 2-97
 Bracket, Pump, Fuel, 2-55, 2-57
 Bracket, Retainer, Battery, 2-71
 Bracket, Rh, 2-29
 Bracket, Side Brush, Valve, 3-23
 Bracket, Spring, 2-97, 3-27
 Bracket, Stand-Off, Fltr, Air, 2-49
 Bracket, Steering, Machining, 2-73
 Bracket, Steering, Machining (Replaced by 375534), 2-73
 Bracket, Tail Pipe, 2-51, 2-53
 Bracket, Tailpipe, 2-53
 Bracket, Wldt, Cable Mtg, 2-81
 Bracket, A/C Dryer, 4-53
 Brake Assy, Drum, Hyd, 08.0d 1.6w Lh, 4-61
 Brake Assy, Drum, Hyd, 08.8d 1.6w Rh, 4-59
 Brake Assy, Lh (See Breakdowns), 2-75
 Brake Assy, Rh (See Breakdowns), 2-75
 Breaker-Circuit, 15 Resetable, 3-61
 Breaker-Circuit, 15 Resetable, 3-35
 Breaker-Circuit, 15 Resetbl, 2-118
 Breaker-Circuit, 2.5 Resetbl, 2-118
 Breather Cap and Gasket, 2-91
 Breather, Hyd, 2-91
 Breather, Hyd 40Mic No DS, 2-2
 Brkt, Mtg, Htr Coil, 4-57
 Brush Kit, 2-43
 Brush-Outsd -Polypropylene, 2-3
 Brush-Patrl -Nylon, 2-3

Brush-Side Swp -Assy-Nylon, 2-3
 Brush-Side Swp -Assy-Polypropylene, 2-3
 Brush-Side Swp -Nylon, 2-3
 Brush-Side Swp -Polypropylene, 2-3
 Brush-Side Swp -Assy-Flat Wire, 2-3
 Brush-Side Swp -Flat Wire, 2-3
 Brush-Sweep -Nylon (24SR), 2-3
 Brush-Sweep -Nylon (8DR), 2-3
 Brush-Sweep -Polypropylene, 2-3
 Brush-Sweep -Polypropylene&Wire, 2-3
 Brush-Sweep -Wire, 2-3
 Brush, Swp, Wedge, Polypropylene, 2-3
 Bshg, Flange, 0.62Bx0.68Od, Nylon, 3-37
 Bulb, 3-11, 3-13
 Bulb, #194, 3-17
 Bulb, 12V, 3-3, 3-5, 3-7, 3-9
 Bulb, 12V .5A 4Cp #1157, 2-5
 Bumper Assy, Se, 3-21
 Bumper Wldt, Lh, 2-31
 Bumper Wldt, Rear, Gas/Dsl, 2-5
 Bumper Wldt, Rh, 2-31
 Bumper Wldt, Se, Rh, Front, 3-21
 Bumper Wldt, Sppt, Hopper, Rh, 2-31
 Bumper Wldt, Se, Lh, Front, 3-21
 Bumper, Corner, Mach, 2-5
 Bumper, Cover, Hopper, 2-29
 Bumper, Rbr, 1.5d 1.50 0.28h, 2-15, 2-17
 Bumper, Rbr, Adh, 0.50d 0.14th, 4-47
 Bumper, Rubber, 2-11, 2-19, 2-29, 3-5, 3-9, 3-35
 Bushing, 5-3, 5-5, 5-11, 6-3, 6-5, 7-3, 7-5
 Bushing En, 4-7, 4-17
 Bushing (Not Shown), 5-11
 Bushing En, 4-5, 4-9, 4-15, 4-19, 4-41
 Bushing, Isolator, 2-33, 2-63, 2-65, 2-67, 2-111
 Bushing, Isolator-Inner, Rbr., 2-95
 Bushing, Rubber, 2-47
 Bushing, Seal, 4-37
 Button, Plug 1.25H, 2-118

C

Cab Assy, Oprtr [800] (See Breakdowns), 3-35
 Cab Wldt, 800, 4-47
 Cable, 2-97, 3-27, 5-33
 Cable Assy-Batt, Pos, 48.0, 2Ga, 2-69
 Cable Tie Mount, 3-3, 3-5, 3-7, 3-9
 Cable, 04ga 32.4l Red, W/150a Fuse, 2-39
 Cable, Battery, Neg, 37.0l, 2/0 Ga, 2-71
 Cable, Battery, Pos, 38.0l, 2/0 Ga, 2-71
 Cable, Brake, Park, 2-79
 Cable, Choke, 3-41, 3-47
 Cable, Glv .25d 016.8l .64eye /.64eye, 2-101, 3-23
 Cable, Glv .25d 021.2l .63eye /.63eye, 2-101, 3-23
 Cable, Lift, Main Brush, 2-107
 Cable, Pull, 70.5l, .3clevis/.23ball, 2-41

Cable, Push, Pull, 2-81
 Cable, Speed Control, 2-81
 Cabletie Mount, Adhesive, 3-11, 3-13
 Cam, 2-81
 Camplate S/A En, 4-3, 4-7, 4-13, 4-17
 Camshaft, 5-15, 6-9, 7-9
 Camshaft Kit, 5-11
 Cap, 5-7, 5-29, 6-3, 6-7, 6-8, 7-7, 7-8
 Cap [Cat 08], 7-3
 Cap Assembly En, 4-41
 Cap Screw, 4-33
 Cap Screw En, 4-3, 4-7, 4-13, 4-17
 Cap, Cyl Assy, Master Brake, 2-79
 Cap, End, 4-37
 Cap, Filler, 6-11, 7-11
 Cap, Filler, Oil, 6-7, 7-7
 Cap, Fuel, 2-55
 Cap, Fuel, Tank, 2-57
 Cap, Grease Black Paint, 2-75
 Cap, Nozzle, 6-23
 Cap, Radiator, 14psi [Stant], 2-63, 2-65, 2-67
 Cap, Screw, 4-37
 Cap, Valve Stem, 2-77
 Cap, Wheel, Steering, 2-115
 Cart Flow Control CP, 4-43
 Cart, Check Valve CP, 4-43
 Cart, Pilot Cntr, 4-39
 Cart, PSI CN CP, 4-43
 Chain, Jack, #12, 08.5l 11 Links, 3-53
 Chain, Link#2/0, 7Links, 2-2
 Chain, Link#2/0, 7Links, 2-5
 Channel, Mounting, 2-5
 Channel, Mtg, Fan Motor, 2-63, 2-65
 Channel, Mtg, Steering Latch, 2-115
 Channel, Retainer, 2-2, 2-5, 2-73
 Channel, Retainer, Seal, Rear, 2-2
 Channel, Retainer, Seal, Rear, 2-5
 Channel, Seal, Wndw, 4-47, 4-49
 Charge Pmp Adap En, 4-5, 4-9, 4-15, 4-19
 Check Valve, 100 Psi, 3-27
 Circlip, 5-9, 5-15, 5-17
 Circuitbreaker, 15A, Resetable, 2-118, 3-35
 Circuitbreaker, 2.5A, Resetable, 2-118
 Circuitbreaker, 20.0a, Thermal, 3-45, 3-49
 Clamp, 2-55, 5-19, 6-23, 7-21
 Clamp-Cable, 0.25Dia 0.56Wth, 2-79, 3-61
 Clamp-Cable, 0.38Dia 0.38Wth, 3-53
 Clamp-Cable, .69Dia. 62Wth, 2-23
 Clamp-Muffler, For 2.00 Od Tube, 2-51, 2-53
 Clamp-Wormdrive, 0.81- 1.50D, 3-17
 Clamp-Wormdrive, 1.06- 2.00D, 2-59, 2-61
 Clamp-Wormdrive, 1.62- 3.50D, 2-33, 2-47
 Clamp-Wormdrive, 2.63- 4.50D, 2-111
 Clamp-Wormdrive, 3.62- 5.50D, 2-111
 Clamp, Cable, 2-55, 2-57, 2-73, 3-47
 Clamp, Cable- Brake, 2-79

CROSS REFERENCE

Clamp, Cable, Stl, 0.18d X 0.75w, 1hole, 3-41, 3-47
Clamp, Cable, Stl, 0.31d X 0.88w, 2-57
Clamp, Cable, Stl, 0.44d X 0.62w, 1h, 2-35
Clamp, Cable, Stl, 0.9x1.8x0.62w, 1h, 2-61
Clamp, Cable, Stl, 1.00d X 0.75w, 1h, 2-93, 2-111
Clamp, Cable, Stl, 1.0x2.0x0.62w, 1hole, 2-97, 3-27
Clamp, Cable, Stl, 1.25d X 1.00w, 1h, 2-13
Clamp, Hold Down, 4-59, 4-61
Clamp, Hose, 3-41, 6-17, 7-17
Clamp, Hose, Wormdrive, 0.25-0.62d, 2-57, 2-61
Clamp, Hose, Wormdrive, 0.50-1.06d, .50w, 3-41, 3-47
Clamp, Hose, Wormdrive, 1.62-3.50d, 2-49
Clamp, Mtg, Motor, Upper, 2-33
Clamp, Muffler, 1.75d, 2-53
Clamp, Muffler, 1.75d, Hd, 2-51
Clamp, Muffler, 1.88d, 2-51, 2-53
Clamp, Cable .44D .62Wide, 3-61
Cleaner, Air Al Se, 2-47
Clevis, Adjust. 0.25-28Th. Cad., 2-81
Clip, 5-5, 5-27, 5-31, 6-25, 7-22
Clip Finger Grip, 3-53
Clip, Finger Grip, 2-51
Clip, Pine-tree .236h Plastic, 2-11
Clip, Pine-Tree .250h Plastic, 2-5
Clip, Retainer, 4-49
Clip, Tree, 2-13
Coil 12V w/Var CP, 4-43
Coil, 12V W/Var, 4-38, 4-39
Coil, Condenser, 4-53
Coil, Evaporator, 4-55
Column, Steering 12", 2-115
Compressor, A/C, V Pully [134][Sa-4536], 3-43
Condenser Assy, A/C, 4-53
Condenser Assy, A/C (See Breakdowns), 3-41
Connection, 5-3, 5-19, 5-21, 5-31
Connector, Ele, Plug, Femal, .156d, 3-33
Control Box, Governor, Diesel (Repl. by 374127), 2-118
Control, Manual, 4-11
Control, Manual (See Breakdowns), 4-3, 4-7, 4-13, 4-17
Controller, 2-117
Controller Assy, Rfs, 3-61
Cooler, 6-19, 7-18
Cooler-Hyd, 2-19
Cotter, 5-7
Coupler En, 4-5, 4-9, 4-15, 4-19
Coupling, 3-61
Coupling Flywheel, 2-37, 2-39
Cover, 2-47, 5-11, 5-19, 5-29, 6-7, 6-19, 7-7, 7-18
Cover [Cat 08], 7-11

Cover Assy, Hopper, 2-29
Cover Wldt, Air-Clnr, 2-49
Cover Wldt, Engine Se, 2-13
Cover Wldt, Fuel Inlet, 3-35
Cover, Cab Pressurizer, 3-35
Cover, Electrical, 3-61
Cover, Gear, 6-11
Cover, Housing, Electrical, 3-61
Cover, Latch Assy, Door, 4-49
Cover, Motor, 3-61
Cover, Relay Panel, 2-118
Cover, Rocker Switch Seal, 2-101, 2-107, 2-117, 3-23
Cover, Thermostat, 6-17
Cover, Thermostat [Cat 08], 7-17
Cover, Wheel, Steering, 2-115
Cradle Sub Assy En, 4-7, 4-17
Crankshaft [Cat 08], 7-5
Crankshaft Assy, 6-5
Cylinder Block Kit, 5-3
Cylinder Head Copy, 5-29
Cylinder Head Kit, 5-7
Cylinder, Hyd, 1.5b 06.3l 01.50strk 2500, 2-101, 3-23
Cylinder, Hyd, 2.0b 08.0l 04.00strk 2500, 2-107
Cylinder, Hyd, 2.0b 12.0l 08.00strk 2500, 2-27
Cylinder, Hyd, 2.0b 15.0l 08.00strk 1500, 2-73
Cylinder, Hyd, 2.0b 23.8l 14.90strk 2500, 2-23
Cylinder, Hyd, 2.0b, 15.0l, (Replaced by 1028492) (See Breakdowns), 2-73
Cylinder, Hyd, 2.0b, 15.0l, Rep. By 1028492, 4-44
Cylinder, Hyd, 4.0b 29.1l 14.50strk 2500, 4-45
Cylinder, Hyd, 4.0b 29.1l 14.50strk 2500 (See Breakdowns), 2-23
Cylinder, Master Brake, 2-79
Cylinder, Wheel, Brake, 4-59, 4-61

D

Dampner, Engine, 2-11
Diode, Ele, Plug, 2-146
Dipstick, 5-27
Dipstick [Cat 08], 7-3
Dipstick, Oil, Eng, 6-3
Disc, 2-33
Disk, 3-53
Door Assy [800/810 08], 2-17
Door Assy, Cab, Replmt [800], 4-49
Door Wldt, Brush, Lh, 2-7
Door Wldt, Brush, Rh, 2-9
Door Wldt, Cab, 4-49
Door Wldt, Engine, 2-15
Door Wldt, Hopper, 2-27
Door Wldt, Rear, 2-19
Dowel, 5-3, 5-11, 5-17, 5-19, 5-23
Dowel Bushing En, 4-7, 4-17
Dowel Pin, 4-11

Dowel Pin En, 4-21
Drain Cock, .25Npt Wh#120 Angl, 2-63, 2-65, 2-67
Drive, 4-27, 4-29, 4-32, 4-33, 4-37, 5-25
Drive Gear Assembly, 4-23
Drive, Motor, Hyd, 4-31
Drive, Valve, 4-27, 4-29
Drum Assy, Brake 9/16, 2-75
Dryer, Ac, 4-53
Duck Bill, 4-55, 4-57
Duct Wldt, Rfs, 3-61
Duct, Afmkt, Vyl, 0.40 X 0.75 .25d, 04ft, 3-3, 3-5, 3-7, 3-9
Duct, Heater A/C, 3-45, 3-49
Duct, Inlet, Vac Fan, 2-25
Duct, Rear, 2-63, 2-65, 2-67
Dust Control Kit, Side Brush, 3-55

E

Elbow, Air, Inlet [Cat 08], 7-19
Elbow, Heater, 3-41, 3-47
Element, Air Cleaner, 2-47
Element, Filter Safety, 2-47
Element, Filter, Air, 2-2
Element, Filter, Fuel, 2-55
Element, Fltr, Air-clnr, 2-2, 2-49
Element, Fltr, Fuel [Dn], 2-2, 2-57
Element, Fltr, Oil, 2-2, 2-19
End Cap, 4-33
Engine Assy, Die (See Perkins Engine Breakdown), 2-37
Engine Assy, Dsl (See CAT Engine Breakdown), 2-39
Engine Service Manual Pk 700 series, 3-65
Engine, Dsl, 63Hp [CAT 3.4 2008], 2-39
Exhaust Manifold, 5-32
Exhaust Valve, 5-7
Extinguisher Kit Fire 800, 3-57
Extinguisher, Fire, 3-57

F

Fan, Condenser, 4-53
Fan, Cooling, 18.0d, 8 Blade, 0.5b Taper, 2-67
Fan, Radiator, 2-63, 2-65
Fan, Repair Kit, Reassembly, 2-111
Fastener, Cover, Front [Cat 08], 7-11
Fender Washer, 2-7, 2-9
Ferrule, 2-33
Filter Assy, (standard), 2-33
Filter Assy, Fine, Hopper (option), 2-33
Filter Assy, Fuel, Diesel, 2-57
Filter Assy, Spin-on, 2-19
Filter Head Rework, Oil Kubota, 2-45
Filter, Air-Clnr, 2-49
Filter, Air, Pre-Cln, A/C, 2-49
Filter, Fuel, 2-2, 2-55, 2-57
Filter, Fuel, Element, 2-2
Filter, Oil, 2-2

Filter, Oil, Eng, 6-15, 7-15
 Filter, Pre-Cleaner, A/C, 2-47
 Filter, Safety, Air-clnr, 2-2, 2-49
 Filter, Panel 23.5X6.5X2 143Plts, 3-41, 3-47
 Fitting, 2-55
 Fitting - 45, 3-27
 Fitting, Brass, 2-55, 2-57, 3-41, 3-47
 Fitting, Brass, Elbow, 2-55, 2-57
 Fitting, Brass, Str, 2-55, 2-57, 3-41, 3-47
 Fitting, Brass, Tee, 3-41, 3-47
 Fitting, Brs, E45, Pf06/Pm06, 3-41, 3-47
 Fitting, Brs, Str, Em10/Pm06, 3-41, 3-47
 Fitting, Brs, Str, Pm02, Service, 2-49
 Fitting, Draincock, .25npt 90, 2-61
 Fitting, Elbow, 6-13, 6-21, 7-13
 Fitting, Hyd, Brs, 3-41
 Fitting, Hyd, Cap, Jf08, 5-27
 Fitting, Hyd, E45, Jm06/Om06, 2-73
 Fitting, Hyd, E90, .75-16 [Pgl], 5-27
 Fitting, Hyd, E90, Fm12/Om16, 2-83
 Fitting, Hyd, E90, Metric, Spcl, 6-15, 7-15
 Fitting, Hyd, Plug, Jm06, 6-15, 7-15
 Fitting, Hyd, Str 02bspmm/Pf02, 2-39
 Fitting, Hyd, Str, Fm12/Om16, 2-73
 Fitting, Hyd, Str, Jm04/Om04, 2-91
 Fitting, Hyd, Str, Jm06/Om04, 2-63, 2-65, 2-67
 Fitting, Hyd, Str, Metric, Om12/Pf04, 2-57
 Fitting, Hyd, Str, Metric, Om16/Pf06, 3-41, 3-47
 Fitting, Hyd, Tee, Jf06/Jm06/Jm06, Run, 3-23
 Fitting, Hyd, Str, 3-41, 3-47
 Fitting, Orifice, Jet [Cat 08], 7-3
 Fitting, Pipe, E90, .75-16 (See Perkins Engine Breakdown), 2-37
 Fitting, Plug, 2-63, 2-65, 2-67
 Fitting, Plug, Om02, Valve, 4-65
 Fitting, Plug, Om04, Valve, 4-65
 Fitting, Plug, Om05, Valve, 4-65
 Fitting, Plug, Om06, Valve, 4-65, 4-66
 Fitting, Str, 6-15, 7-15
 Flange, 6-23, 7-21
 Flange, 3Hole/4Hole 1.8C-Hole, 2-51
 Flange, Mounting, 4-32, 4-33
 Flange, Brg, 3 Hole, 2-105
 Flasher Heavy Duty, 3-17
 Flasher, 12v, 3-15
 Flat Washer, 3/8" Hard, 3-23
 Flywheel, 6-12, 7-12
 Flywheel Assy, 5-23
 Foam, Insulation, 3-19
 Follower, Piston, 4-3, 4-7, 4-13, 4-17
 Foot, Fan, 4-53
 Frame, 2-5
 Frame, Pane, Cab, Side, 4-47
 Frame, Pane, Door, Side, 4-49
 Ftg-Brs Str Bm03/Pm02, 2-35
 Ftg-Hyd Cap Jf08 (See Perkins Engine Breakdown), 2-37
 Ftg-Hyd E45 Jm04/Om04, 2-73, 2-107
 Ftg-Hyd E45 Jm08/Om08, 2-37, 2-113

Ftg-Hyd E45 Jm12/Jf12, 2-83
 Ftg-Hyd E45 Jm20/Jf20, 2-83
 Ftg-Hyd E90, 2-91, 2-101
 Ftg-Hyd E90 Jm04/Om04, 2-101
 Ftg-Hyd E90 Jm04/Jf04, 2-23, 2-27, 2-91
 Ftg-Hyd E90 Jm04/Om04, 2-27, 2-93, 2-101, 2-107, 2-113, 3-23
 Ftg-Hyd E90 Jm04/Om06, 2-23, 2-95
 Ftg-Hyd E90 Jm06/Jf06, 2-83, 2-95
 Ftg-Hyd E90 Jm06/Om06, 2-73
 Ftg-Hyd E90 Jm06/Om08, 2-23, 2-45, 2-63, 2-65, 2-67
 Ftg-Hyd E90 Jm08/Jf08, 2-93, 2-95, 3-27
 Ftg-Hyd E90 Jm08/Om08, 2-93, 3-27
 Ftg-Hyd E90 Jm08/Om10, 2-113
 Ftg-Hyd E90 Jm10/Om10, 2-45
 Ftg-Hyd E90 Jm12/Om12, 2-19, 2-83
 Ftg-Hyd E90 Special Jm12/Jf12, 2-91
 Ftg-Hyd Plg Om06, 3-23
 Ftg-Hyd Plg Om12, 2-91
 Ftg-Hyd Rst Jm04/.047, 2-95
 Ftg-Hyd Rst Jm04/.063, 2-23
 Ftg-Hyd str, 2-101
 Ftg-Hyd Str Jm12/Om16, 2-83
 Ftg-Hyd Str Jm04/Om04, 2-105
 Ftg-Hyd Str Jm04/Om06, 2-95
 Ftg-Hyd Str Jm04/Om08, 2-23
 Ftg-Hyd Str Jm06/Jf08, 3-27
 Ftg-Hyd Str Jm06/Jf10, 2-45
 Ftg-Hyd Str Jm06/Om06, 2-93, 2-115, 3-23, 3-27
 Ftg-Hyd Str Jm06/Om08, 2-45, 2-63, 2-65, 2-67, 2-95
 Ftg-Hyd Str Jm06/Om10, 2-83, 2-97
 Ftg-Hyd Str Jm06Om06L, 2-93
 Ftg-Hyd Str Jm08/Jm06, 2-97
 Ftg-Hyd Str Jm08/Jm08, 2-113
 Ftg-Hyd Str Jm08/Om08, 2-93, 2-95, 2-105
 Ftg-Hyd Str Jm08/Om10, 2-83, 2-113
 Ftg-Hyd Str Jm08Om08L, 2-93
 Ftg-Hyd Str Jm12/Om12, 2-19, 2-91
 Ftg-Hyd Str Jm12Om12L, 2-93
 Ftg-Hyd Str Jm20/Om20, 2-83, 2-91
 Ftg-Hyd Str Om08/Of06, 3-27
 Ftg-Hyd Str Jm06/Om10, 3-27
 Ftg-Hyd Tee Jm04Jfjm, 2-95
 Ftg-Hyd Tee Jm04Jmjf, 2-95
 Ftg-Hyd Tee Jm04Jmj, 2-27
 Ftg-Hyd Tee Jm04Jmom, 2-91
 Ftg-Hyd Tee Jm04Omjm, 2-63, 2-65, 2-67
 Ftg-Hyd Tee Jm06Jmjf, 2-91, 2-95
 Ftg-Hyd Tee Jm06Jmom, 2-91
 Ftg-Hyd Tee Jm06Omjm, 3-27
 Ftg-Hyd Tee Jm08Jmjf, 2-93, 3-27
 Ftg-Hyd Tee Jm08Omjm, 2-95
 Ftg-Hyd Tee Jm12Jfjm, 2-83
 Ftg-Hyd Tee Jm12Jmjf, 2-91
 Ftg, Breather, 2-35, 3-61
 Ftg, Grease.12 Npt 45 .88L, 2-109
 Ftg, Grease.25-28Th 90 .75L, 2-73
 Ftg, Shrader, 4-53

Ftg, Brass, St Bm03/Pm02, 3-61
 Ftg, Brass, Tee 06lf- 02Pm- 06lf, 2-79
 Ftg, Bulkhead-Barb Wh 1074X4, 2-35, 3-61
 Fueline, Bleeder, 6-23, 7-21
 Fueline, Cyl #1, 6-23, 7-21
 Fueline, Cyl #2, 6-23, 7-21
 Fueline, Cyl #3, 6-23, 7-21
 Fueline, Cyl #4, 6-23, 7-21
 Fueline, Return, 6-23, 7-21
 Fuelline, 2-55, 2-57
 Fuelline, .31d 05if/05if Stl, 2-57
 Fuelline, Dsl [800d], 2-57
 Fuse, 40 Amp, 2-11
 Fuse, Blade, 050a [Maxi], 2-146

G

Gage, Sight Ac, 3-41
 Gas Cap, Protectoseal, 3-56
 Gasket, 2-45, 2-51, 5-3, 5-19, 5-21, 5-31, 5-32, 5-34, 5-35, 6-11, 6-12, 6-15, 6-17, 6-21, 6-23, 7-7, 7-12, 7-15, 7-17, 7-19, 7-21
 Gasket Kit, Vacfan, Replmt [800], 2-111
 Gasket, Box/Cab, 4-55, 4-57
 Gasket, Cab Pressurizer, 3-35
 Gasket, Coolant, 6-17, 7-17
 Gasket, Cover, Alum, 3-61
 Gasket, Cover, Side, 6-19, 7-18
 Gasket, Cover, Timing [Cat 08], 7-11
 Gasket, Cover, Valve, 6-7, 7-7
 Gasket, Exhaust, 2-53, 6-21, 7-19
 Gasket, Exhaust, 4Hole, 2-51
 Gasket, Fire Switch, 2-113
 Gasket, Head, 6-7
 Gasket, Head [Cat 08], 7-7
 Gasket, Head, Rear, 6-7, 7-7
 Gasket, Heater, Water, 6-19, 7-18
 Gasket, Hyd Cap, 2-91
 Gasket, Hyd Tank Breather, 2-91
 Gasket, Manifold, 6-21, 7-19
 Gasket, Plate, Front, 6-11
 Gasket, Rear, 6-12, 7-12
 Gasket, Sender, Fuel, 2-57
 Gasket, Sending Unit Tc, 2-55
 Gasket, Thermostat [Cat 08], 7-17
 Gasket, Throttle Blk, 2-37
 Gauge, Sight Lh, 2-91
 Gear, 4-23, 4-25, 5-17, 6-11, 7-11
 Gear [Power Take Off], 6-13, 7-13
 Gear Assy, Idler, 4-25
 Gear, [Slip Fit], 4-25
 Gear, 23 Tooth, 6-5, 7-5
 Gear, Camshaft, 5-11
 Gear, Cover [Cat 08], 7-11
 Gear, Crankshaft, 5-5
 Gear, Drive, 4-25
 Gear, Idler, 4-23, 4-25, 6-11, 7-11
 Gear, Injection, Fuel, 6-11, 7-11
 Gear, Pump, 5-15
 Gear, Ring, 5-23
 Gear, Slip Fit, 4-23

CROSS REFERENCE

Geroler Set, Motor, Hyd, 4-31
Geroter, Ring In En, 4-5, 4-9, 4-15, 4-19
Geroter, Ring Ot En, 4-5, 4-9, 4-15, 4-19
Gerotor Set, 4-27, 4-29, 4-32, 4-33
Gerotor Set Cl, 4-37
Glass, Pane, Windshield, 800 Cab, 4-47
Glow Plug, 5-33, 6-27, 7-24
Governor, Diesel, 2-37
Grip, Handle, Flat, 3-53
Grip, Vyl, .18 X .75 X 4.00, 2-41
Grommet, 3-11, 3-13, 3-15, 3-40, 3-41, 3-47
Grommet Rbr 0.25Id For .09Matl, 3-17, 3-33
Grommet, Rbr, 0.38 Id For .12mat, 3-11, 3-13
Grommet, Rbr, 0.56 Id For .13mat, 3-11, 3-13
Grommet, Rbr, 1.00id, F/1.4h, .12 Matl, 4-47
Grommet, Rbr, 3.25id, F/ 3.5h, .06matl, 2-49
Grommet, Rbr, 3.75id F/ 4.0H ., 2-47
Grommet, Rbr, 0.25Id, For .09Matl, 2-117
Grommet, Rbr, 0.38Id, For .06Matl, 3-3, 3-5, 3-7, 3-9
Grommet, Rbr, 0.50Id, For .25Matl, 2-5
Grommet, Rbr, 0.62Id, For .06Matl, 2-35, 3-61
Grommet, Rbr, 0.63Id, For .06Matl, 3-3
Grommet, Rbr, 0.63Id, For .13Matl, 3-7
Grommet, Rbr, 0.75Id, For .13Matl, 3-17
Guard, 2-51
Guard Kit, Overhead, 3-19
Guard Wldt, Hopper, 2-31
Guard Wldt, Light, Strobe/Fish, 3-3, 3-5, 3-7
Guard Wldt, Lights, Strobe & Fish, 3-3, 3-5, 3-7, 3-9
Guard Wldt, Overhead, 3-19
Guard Wldt, Sidebrush, 3-27
Guard, Alternator, 2-43, 3-51
Guard, Mirror, 3-37
Guard, Side Brush, 2-97, 3-27
Guide, 2-33, 5-7, 6-7
Guide [Cat 08], 7-3
Guide, Ds, 6-3

H

Handle, 3-53
Handle, Center, 2-95
Handle, Container, 2-29
Handle, Lh, 2-95
Handle, Lift, Brush, 2-115
Handle, Rh, 2-95
Handle, Throttle, Dsl, 2-41
Harness, 2-37
Harness, Rfs Jumper, 3-61
Harness, Alarm, Back-up, 3-15
Harness, Alarm, Backup, 3-11, 3-13
Harness, Cab (See Fig. 30), 4-47
Harness, Cab, 800/810, 4-52

Harness, Directional, 3-17
Harness, Hopper 800/810, 2-135
Harness, Hopper, Rfs, 3-61
Harness, Main, [800], Dsl, 2-141
Harness, Main, Die 800/810, 2-134, 2-146
Harness, Motor, Duct, 3-61
Harness, Neutral, Start, 3-64
Harness, Side Brush, L.H., 3-30
Harness, Start, DSL, 2-137
Harness, Strobe/Fish Light, Cab, Ohg, 3-3, 3-5, 3-7, 3-9
Harness, Turn/Rotate/Tail Lights, 2-136
Head Assy, Cylinder, 6-7
Head Gasket, 5-7, 5-34
Head, Cyl [Cat 08], 7-7
Headlight, 12V.Rect., 2-29
Heater Coil, 4-55, 4-57
Hinge, 2-13, 2-15, 2-17, 2-29
Hinge, W/Pin, 2-15, 2-17
Hook, Cable, .44d Ball, 2-97, 3-27
Hopper Floor Kit, St Stl 800, 3-20
Hopper Wldt, 2-25
Horn, 12 Volt, 2-13
Horn, Back-up Alarm, 3-15
Hose, 2-45, 2-59, 5-29, 5-31, 6-17, 7-17
Hose Assy, Drain, A/C, 3-63
Hose Kit, Rear Drive, Replmt, 2-73, 2-83, 2-87, 2-89
Hose Radiator, 1.50 Idx 3.0 Lg, 2-59
Hose-Heater, .62Id 20.0L, 3-41, 3-47
Hose-Heater, .62Id 26.0L, 3-41, 3-47
Hose-Hyd, 2-87, 2-89
Hose-Hyd Ar 04, 2-87, 2-89
Hose-Hyd Ar04, 2-87, 2-89
Hose-Hyd Low 04, 2-87, 2-89
Hose-Hyd Low04 Jf/J9, 2-87, 2-89
Hose-Hyd Low04 Jf/Jf, 2-45
Hose-Hyd Low06, 2-87, 2-89
Hose-Hyd Low12, 2-87, 2-89
Hose-Hyd Low12 Jf/Jf, 2-87, 2-89
Hose-Hyd Med 04, 3-31
Hose-Hyd Med 06, 3-31
Hose-Hyd Med04, 2-87, 2-89
Hose-Hyd Med04 Jf/J4, 2-87, 2-89
Hose-Hyd Med04 Jf/Jf, 2-87, 2-89
Hose-Hyd Med06, 2-87, 2-89
Hose-Hyd Med06 Jf/J9, 2-87, 2-89
Hose-Hyd Med06 Jf/Jf, 2-87, 2-89
Hose-Hyd Med08, 2-87, 2-89
Hose-Hyd Med08 Jf/J4, 2-87, 2-89
Hose-Hyd Med08 Jf/J9, 2-87, 2-89
Hose-Hyd Med12, 2-87, 2-89
Hose-Hyd Med78 Jf/J9, 2-87, 2-89
Hose-Hyd Suc20 Spcl 22.5, 2-87, 2-89
Hose, A/C #12 107.0L 089 069, 3-41
Hose, A/C, 12 127.0l Str E90 R134, 3-41
Hose, A/C, 8 112.0l Str E90 R134, 3-41
Hose, Afmkt, Rbr, Heater, 0.62id, 03ft, 3-41, 3-47
Hose, Afmkt, Rbr, Heater, 0.62id, 08ft, 3-41, 3-47
Hose, Air, Intake [800d], 2-49
Hose, Breather, 6-25, 7-22

Hose, Coolant, Mold, 1.63id To 1.63id, 2-61
Hose, Drain, Overflow, Radiator, 2-65, 2-67
Hose, Fan Inlet, 2-111
Hose, Flex (See Perkins Engine Breakdown), 2-37
Hose, Fuel, 2-55, 2-57
Hose, Fuel, 0.31id 08.0l, 2-57
Hose, Hyd, Low [Pk], 5-27
Hose, Hyd, Low06, Jf06str/Jf06str, 037.0, 6-15, 7-15
Hose, Hyd, Med06, Jf06e90/Jf06str, 068.0, 3-31
Hose, Hyd, Tc12, Ff12e45/Ff12str, 045.0, 2-89
Hose, Hyd, Low04, Jf04str/Jf04, 2-87
Hose, Mold, Air Intake 2.5Id, 2-47
Hose, Pvc, Clr, 0.38id 0.56od 36.00l, 2-61
Hose, Radiator, 2-61
Hose, Radiator, Upper, 2-59
Hose, Rbr, 1.50id 1.88od 04.0l, 2-61
Hose, Vac, Rubber, 2-35
Hose, Vacuum, .16 Id X 76.0 Lg, 3-61
Hose&2Cuff Assy, Vinyl2.0ld10Ft, 3-53
Hose&cuff Assy, Vinyl4.0ldx50, 2-111
House, Wheel, 2-73
Housing, 4-25, 4-33, 5-31
Housing Assembly, 4-55, 4-57
Housing Assy, 4-27, 4-29
Housing En, 4-3, 4-7, 4-13, 4-17
Housing S/A En, 4-3, 4-7, 4-13, 4-17
Housing Wldt, Vac Fan, Front, 2-111
Housing Wldt, Vac Fan, Rear, 2-111
Housing, Bearing, Motor, Hyd, 4-31
Housing, Brg, 4-27, 4-29, 6-13, 7-13
Housing, Condenser, 4-53
Housing, Flywheel, 5-23, 6-12, 7-12
Housing, Flywheel, Mach 704 Pk, 2-37, 2-39
Housing, Front, 7-11
Housing, Gear, 6-11
Housing, Sppt, Wheel (Repl. by 375534), 2-73
Housing, Sppt, Wheel, Rear, 2-73
Housing, Valve, 4-31
Housing, Control, 4-11
Housing, Control En, 4-21
Hub and Stud Assy., 2-73
Hub Assy, 2-77
Hub, Drive, Brush, Side, 1.00b 8.8bc, 2-3

I

Idler Gear, 5-11
Impeller 9.5 Dia. 18 Blade Mac, 2-111
Indicator Service Air Filter, 2-47
Indicator, Filter, Air, 2-49
IndicatorLight, Glow Plug, 2-117
Inj Pipe #1 Cyl, 5-19
Inj Pipe #2 Cyl, 5-19
Inj Pipe #3 Cyl, 5-19

Inj Pipe #4 Cyl, 5-19
 Injection Pump, 5-21
 Injection Pump (See Breakdown), 5-19
 Inlet Valve, 5-7
 Insert, 5-7
 Insert, Exhaust, 6-7
 Insert, Inlet, 6-7
 Insert, Wheel, Steering, 2-115
 Instr, Kit, Repair, Pump, Hyd, 4-25
 Instr. Valve Repair Info, 4-41
 Insulation, 2-11, 2-47
 Insulation, Acoustic, Fan, 2-111
 Insulation, Acoustic, Vac Fan, 2-113
 Insulation, Acstc, 3-35
 Insulation, Acstc, .75th 10.71w, 2-49
 Insulation, Acstc, 0.8, 23.0 X 10.0 Cham, 2-49
 Insulation, Acstc, Cab Front, 4-51
 Insulation, Acstc, Cab Rear, 4-51
 Insulation, Acstc, Cab, Leg, Front, 4-51
 Insulation, Acstc, Cab, Leg, Rear, 4-51
 Insulation, Acstc, Cab, Proj, Front, 4-51
 Insulation, Acstc, Cab, Proj, Ls, 4-51
 Insulation, Acstc, Cab, Proj, Rear, 4-51
 Insulation, Acstc, Cab, Proj, Side, 4-51
 Insulation, Acstc, Cab, Proj, Upper, 4-51
 Insulation, Acstc, Door, Side, 4-49
 Insulation, Cover [Cat 08], 7-11
 Insulation, Foam, 3-35
 Insulation, S/Foam, 2-5
 Insulation, S/Foam .5T 17.0X 15, 2-13
 Insulation, S/Foam 1.0 Seal Brake Pedal, 2-79
 Insulation, S/Foam 1.0X3.0X3.0, 2-5
 Insulation, S/Foam 1.5X4.0X4.0, 2-5
 Insulation, S/Foam, .8T 16.5X5, 2-13
 Insulation, S/Foam, .8T 17.0X15, 2-13
 Insulation, S/Foam, .8T 18.0X4.5, 2-13
 Insulation, S/Foam, .8T 23.0X4X3, 2-13
 Insulation, S/Foam, Seat, 2-11
 Insulation, Sound Foam, 2-79
 Insulation, S/Foam .8X19.3X20.3, 2-13
 Isolator, 2-37, 2-39
 Isolator-Vibration .25-20, 2-51
 Isolator-Vibration .31-18, 2-19, 2-63, 2-65, 2-67
 Isolator-Vibration, 60 Lb. Ratng, 2-113
 Isolator, Mounting, 2-37, 2-39
 Isolator, Vac Fan, 2-93
 Isolator, Vib, Ring, 1.0d .25-20/.25-20, 2-53
 Isolator, Vibration, 2-113

J

Joint, 5-11, 5-19, 5-29, 5-31, 5-32, 5-34, 5-35
 Joint/Gasket, 5-34
 Joint/Gasket Kit, 5-35

K

Keeper, Latch, Pane, 4-47, 4-49
 Key, 4-25, 4-27, 4-29, 4-34, 5-5, 6-5, 6-9, 7-5, 7-9
 Key En, 4-5, 4-9, 4-15, 4-19
 Key Set, 4-49
 Key Set, Switch Ku, 2-117
 Key, Motor, Hyd, 4-31
 Key, Round, 4-23
 Key, Sq, 0.12 X 0.12, 0.50l, 2-63, 2-65, 2-67
 Key, Square 0.12 0.12 00.50 LG, 4-35
 Key, Woodruff, 4-32
 Kit, Alarm, Backup, 3-15
 Kit, Alternator, Hd, Die, 3-51
 Kit, Brake, 5-25
 Kit, Brush, 5-25
 Kit, Bushing, 5-25
 Kit, Ci, Drain Hose, A/C, 3-63
 Kit, Conrod, 5-5
 Kit, Light, Fish, Low, 3-11
 Kit, Light, Strobe, Low, 3-13
 Kit, Piston Ring, 5-5
 Kit, Repair, 5-25
 Kit, Replmt, Control, Govnr, [All Purps], 2-118
 Kit, Replmt, Pan, Oil [800d/810d], 5-27
 Kit, Seal, Hyd, Motor, 4-31
 Kit, Seal, Hyd, Pump, 4-23
 Kit, Seal, Motor, Hyd, 4-31
 Kit, Seal, Pump, 4-25
 Kit, Signal, Turn, 3-17
 Knob, 2-95, 3-45, 3-49
 Knob, Plastic, 2-101, 2-109
 Knob, 0.38-16, 1.25Dia, Plastic, 3-53

L

Label Set, Info & Hazard, 2-147
 Label Set, Operational 800, 2-147
 Label, Hi/Med/Lo, 3-45, 3-49
 Label, Logo, 10.4l, Oval [Tennant, Blu/Grn], 2-147
 Label, Numerals 800, 2-147
 Label, Opertnl, Switch, On-off, 4-47
 Label, Pull-Heat, 3-41, 3-47
 Label, Thermostat, 3-45
 Label, Vac Wand, 3-53
 Label, Caution R134A, 3-41
 Lamp, 4-47
 Lamp, 12VDC 55w, 3-15, 3-33
 Lamp, Bulb, Flsh, 3-3, 3-5, 3-11
 Lamp, Bulb, Strobe, 3-7, 3-9, 3-13
 Lanyard Assy., 2-19
 Latch, 2-19, 2-105
 Latch Assy, Door, 4-49
 Latch Assy, Wndw [800 Cab], 4-47, 4-49
 Latch Kit, Wndw, Cab, Rear, 4-47
 Latch, Bolt, 2-13, 2-15, 2-17
 Latch, Bumper, 2-31
 Latch, Door, 3-59
 Latch, Hook (Supplier's Lh), 2-9

Latch, Hook (Supplier's Rh), 2-7
 Latch, Hook Rh, 2-15, 2-17
 Latch, Hook, Rh, 2-13
 Latch, Hook, Rh, Single Catch, 2-29
 Latch, Keeper, Pane [J-dak], 4-47
 Latch, Keeper, Pane [J-dak], 4-49
 Latch, Tension, 4-55, 4-57
 Leak-Off Pipe, 5-19
 Leg Wldt, Bumper, Se, 3-21
 Lens, Amb, F/ Strobe / Flasher, 3-3, 3-5, 3-7, 3-9, 3-11, 3-13
 Lens, Blu, F/ Strobe / Flasher, 3-3, 3-5, 3-7, 3-9, 3-11, 3-13
 Lens, Flashing Amb 12V, 3-11
 Lens, Flashing Blue, 3-11
 Lens, Flashing Red, 3-11
 Lens, Red, F/ Strobe / Flasher, 3-3, 3-5, 3-7, 3-9, 3-11, 3-13
 Lens, Strobe Light, Amber, 3-13
 Lens, Strobe Light, Blue, 3-13
 Lens, Strobe Light, Red, 3-13
 Lens, Strobe Light, Amber, 3-7, 3-9
 Lens, Strobe Light, Blue, 3-7
 Lens, Strobe Light, Red, 3-7
 Lens, Flashing Lite Fr207 Amber, 3-3, 3-5
 Lens, Flashing Lite Fr207 Blue, 3-3, 3-5, 3-9
 Lens, Flashing Lite Fr207 Red, 3-3, 3-5, 3-9
 Lever, 5-9, 5-15, 5-31
 Lever, Brake, 2-79
 Lever, Pump, Propel, 2-81
 Light Assy Mark/Yel 12V- . A, 3-17
 Light Assy Stop/Red 12V- . A, 2-5
 Light Kit Fish 800L Cab, 3-5
 Light Kit Fish 800L Ohg, 3-3
 Light Kit Strobe 800L Cab, 3-9
 Light Kit Strobe 800L Ohg, 3-7
 Light Kit, Side Brush, 3-33
 Light, Dome 12V, 4-47
 Light, Flashing Amb 12v-re, 3-11
 Light, Flashing, Amber, 12V-Re, 3-3, 3-5
 Light, Flsh, Amb, 12-48vdc, 3-3, 3-5, 3-11
 Light, Indicator, 2-117
 Light, Spot 12V, 32cp, 3-15
 Light, Spot, 12VDC 55w, 3-33
 Light, Strobe Amber 12v-re, 3-13
 Light, Strobe, Amb, 12-48vdc, 3-7, 3-9, 3-13
 Light, Strobe, Amber 12V-Reworked, 3-7, 3-9
 Link, 5-15
 Link, Connecting, 4-49
 Link, Eccentric, 2-33
 Link, Feedback, 4-11
 Link, Feedback En, 4-21
 Link, Tension 2.4L, 3-43
 Lintel, Main, 2-13
 Lintel, Rear, 2-13
 Lock Assy, Door, 4-49
 Lockwasher En, 4-3, 4-7, 4-13, 4-17

CROSS REFERENCE

M

Magnet Assy, Pick-Up, 2-37
Magnet, Drive Brush, 2-29
Maintenance Kit, 400HR 800/810 Diesel, 2-2
Maintenance Kit, 800HR 800/810, 2-2
Maintenance Kit, Skirts, 2-2
Maintenance Kit, Skirts 800, 2-2
Manifold, Inlet [Cat 08], 7-19
Manifold, Exhaust, 6-21
Manifold, Exhaust [Cat 08], 7-19
Manifold, Inlet, 6-21
Manifold, Intake, 5-32
Manual Op/Mt 800D French, 3-65
Manual Control En, 4-21
Manual Op/Mt 800D Spanish, 3-65
Manual Pkg 800D, 3-65
Manual, Eng, Perk, F/ Eng 704-30, [Es], 3-65
Manual, Service 800/810, 3-65
Manual, Service, [Caterpillar 3044c], 3-65
Manual, Service, Eng [Cat C3.4], 3-65
Mirror Assembly, 3-37
Mirror Kit, Side Brush, 3-37
Mirror, Convex, 0.50d, 3-37
Mirror, 8.0 Round, Convex, 3-37
Molding, Trim (Gasoline only), 4-47
Molding, Trim 11-14Ga 4.0, 2-79
Molding, Trim 11-14Ga 15.75, 2-11
Molding, Trim 11-14Ga 5.75, 2-11
Molding, Trim 16Ga&Thinr 10.0, 2-11
Molding, Trim, Pvc, .08-.11 01.0l, 2-5
Molding, Trim, Pvc, .18-.31 01.5l, 4-51
Motor-Hyd Gear (See Breakdowns), 2-73
Motor-Hyd Gear (See Breakdowns)
(Replaced by 1068905), 2-73
Motor-Hyd Gear Ex (See Breakdowns), 2-113
Motor-Hyd Gear In (See Breakdowns), 2-73
Motor-Hyd Gear In (See Breakdowns)
(Replaced by 9009503), 2-105
Motor-Hyd, Gear In 10.0 (See Breakdowns), 2-63, 2-65, 2-67
Motor, Ele, Geared, 12Vdc, 3-61
Motor, Ele, Wiper, 12vdc, 4-47
Motor, Electric, 13.6 Vdc, 2-33
Motor, Hyd Gear In 17.9 B 1500 (See Breakdowns) (Replaced by 9009502), 3-27
Motor, Hyd, (See Breakdowns) (Replaced by 9009502), 2-97
Motor, Hyd, Gear, [In] 29.9 B 3000, 4-31
Motor, Hyd, Gear, Int 02.8 Bi-Dir 2500, 2-105
Motor, Hyd, Gear, Int 17.9 Bi-Dir 2500, 2-97, 3-27
Motor, Hyd, Gear, Int 29.9 Bi-Dir 3000, 2-73
Motor, Hydraulic, 4-32, 4-33, 4-34, 4-35
Motor, Propelling, 4-27, 4-29
Mount, Band, Filtr, 7.17id, 2-49
Mount, Cable Tie, 2-55, 2-57, 3-63

Mount, Nozzle, 6-23
Mount, Tie, 3-15
Muffler, 6.5d 17.0l 1.9/1.9id, 2-53
Muffler, Exhaust, 2-51

N

Nozzle Assy, 6-23
Nozzle, Injection [Cat 08], 7-21
Nut, 4-27, 4-29, 5-5, 5-9, 5-11, 5-13, 5-15, 5-19, 5-21, 5-23, 5-27, 5-29, 5-31, 6-5, 6-12, 6-15, 6-19, 6-23, 7-5, 7-12, 7-15, 7-21
Nut [Cat 08], 7-21
Nut En, 4-3, 4-7, 4-13, 4-17
Nut Low Crown .62-18, 2-101
Nut-hx Jam M20x1.5 4 Pltd, 2-115
Nut-Hxlocnyln .31-24 Reg Pltd, 2-63, 2-65, 2-67
Nut-Hxslot 1.00-20 Pltd, 2-75
Nut-Low Crown .50-20 Pltd, 2-111
Nut, Cart., LNG CP, 4-43
Nut, Cart., LNG., 4-38
Nut, Cart., Sht, 4-39
Nut, Cart., SHT CP, 4-43
Nut, Flng [Cat 08], 7-18, 7-19, 7-21
Nut, Hex Lock m06, 2-29
Nut, Hex, Flange, 3-23
Nut, Hex, Flng, .31-18, 2-53
Nut, Hex, Flng, M10 X 1.5, 2-97, 2-102, 2-105, 3-23, 3-28
Nut, Hex, Flng, M10 X 1.50, 2-7, 2-9, 3-37
Nut, Hex, Flng, M12 X 1.75, 2-39, 2-71, 2-105
Nut, Hex, Flng, M6 X 1.0, 2-63, 2-65, 2-67, 2-81, 2-93
Nut, Hex, Flng, M6 X 1.00, 2-17, 2-98, 3-27
Nut, Hex, Flng, M8 X 1.25, 2-25, 2-49, 2-57, 2-101, 3-3, 3-7
Nut, Hex, Jam, .25-28, 2-81
Nut, Hex, Lock, 3-17
Nut, Hex, Lock, .25-20, NI, 2-57
Nut, Hex, Lock, .25-20, NI, Ss, 2-81
Nut, Hex, Lock, .31-24, NI, 3-33
Nut, Hex, Lock, .38-16, NI, 2-39, 2-63, 2-65, 2-67, 2-105, 2-113, 3-37, 3-43
Nut, Hex, Lock, .38-16, NI, Ss, 3-43
Nut, Hex, Lock, .50-13, NI, 2-73, 2-97, 3-27
Nut, Hex, Lock, .50-13, NI, Ss, 2-105
Nut, Hex, Lock, .75-10, NI, 2-73
Nut, Hex, Lock, M06 X 1.0, NI, 2-15, 2-17
Nut, Hex, Lock, M08 X 1.25, NI, 3-33
Nut, Hex, Lock, M10 X 1.5, NI, 2-29, 2-39, 2-63, 2-65, 2-67, 2-81, 2-98, 2-102, 2-111, 3-23, 3-28
Nut, Hex, Lock, M10 X 1.5, NI, Ss, 2-101, 3-23
Nut, Hex, Lock, M12 X 1.75, NI, 2-39
Nut, Hex, Lock, M16 X 2.0, NI, 3-24

Nut, Hex, Lock, M5 X 0.80, NI, 3-3, 3-5, 3-7, 3-9, 3-11, 3-13
Nut, Hex, Lock, M6 X 1.0, NI, 2-33, 2-39, 2-41, 2-57, 2-101, 2-118, 3-23
Nut, Hex, Lock, M6 X 1.0, Ss, NI, 2-81
Nut, Hex, Lock, M6 X 1.00, NI, 2-7, 2-9, 2-67, 2-111, 2-115, 3-43
Nut, Hex, Lock, M6 X 1.00, NI, Ss, 4-47
Nut, Hex, Lock, M8 X 1.25, NI, 2-25, 2-49, 2-57, 2-63, 2-65, 2-67, 2-97, 2-102, 2-105, 2-111, 3-3, 3-5, 3-7, 3-9, 3-24, 3-28, 3-43
Nut, Hex, Lock, M8 X 1.25, NI, Ss, 2-25
Nut, Hex, M8 X 1.25, 6-23
Nut, Hex, Std M8 X 1.25, 2-53
Nut, Hex, Std, .25-20, 2-53
Nut, Hex, Std, .31-18, 2-19, 2-63, 2-65, 2-67, 2-113
Nut, Hex, Std, .31-18, Ss, 3-37
Nut, Hex, Std, .44-14, 5, 2-7, 2-9
Nut, Hex, Std, .62-18, 2-109
Nut, Hex, Std, .75-16, 2-73
Nut, Hex, Std, M10 X 1.5, 2-97, 3-28
Nut, Hex, Std, M10 X 1.5, Ss, 2-97, 3-28
Nut, Hex, Std, M12 X 1.75, 2-15, 2-17, 2-25
Nut, Hex, Std, M12 X 1.75, Ss, 2-13
Nut, Hex, Std, M20 X 2.50, 8, 2-73
Nut, Hex, Std, M8 X 1.25, 2-17, 2-97, 3-24, 3-28
Nut, Jam, 4-3, 4-7, 4-13, 4-17
Nut, Low Crown, .62-18, 2-109
Nut, Motor, Hyd, 4-31
Nut, Slotted Hex, 4-32
Nut, Union, 5-19
Nut, Valve, Cartridge, 4-63, 4-65, 4-66
Nut, Wheel Lug, 2-73
Nut, Wheel Lug, 9/16-18, 2-75
Nut, Lock-Special 2.16-18Uns, 2-73
Nut, Wing .44-20 Special, 2-47

O

O-Ring, 2-45, 5-11, 5-15, 5-17, 5-19, 5-27, 5-31, 5-34, 5-35
O-Ring Gland, 2-83
Oil Filter Pack, 2-45
Oil Pump, 5-17
Oil, Hyd [El, Iso 100, 01gal], 2-2
Oil, Hyd [El, Iso 100, 05gal], 2-2
Oil, Hyd [El, Iso 32, 01gal], 2-2
Oil, Hyd [El, Iso 32, 05gal], 2-2
Oil, Hyd [El, Iso 68, 01gal], 2-2
Oil, Hyd [El, Iso 68, 05gal], 2-2
Olive, 5-19, 5-21, 5-27
Olive .36Od .25Id, 5-19
Oper/Video Vhs, 800, 3-65
Orifice, Valve En, 4-3, 4-7, 4-13, 4-17
Output Shaft Assembly, 4-32

P

- Pad, 2-79
 Pad, Tread, 2-5, 2-81
 Paint, Airdry, Blk, 12oz, 2-2
 Paint, Airdry, Gray, 12oz, 2-2
 Paint, Airdry, Iron Gray, 12oz, 2-2
 Paint, Airdry, Off-White, 12oz, 2-2
 Paint, Airdry, Teal, 12oz, Solid, 2-2
 Pan, Oil, W/ Gasket, 6-15, 7-15
 Pane Assy, Cab, Lh Side, 4-47
 Pane Assy, Door, Cab, Rh Side, 4-49
 Pane, Glass, Cab, 4-47
 Pane, Glass, Door, 4-49
 Pane, Glass, Windshield, 4-47
 Panel, 3-3, 3-5, 3-7, 3-9
 Panel Wldt w/label, 2-11
 Panel Wldt, Access Floor, 2-81
 Panel Wldt, Cover Engine, 2-13
 Panel Wldt, Fender, Lh, 2-29
 Panel Wldt, Fender, Rh, 2-29
 Panel Wldt, Hopper, Floor, LH, 3-20
 Panel Wldt, Hopper, Floor, RH, 3-20
 Panel Wldt, Rear, Lh, 2-5
 Panel Wldt, Rear, Rh, 2-5
 Panel Wldt, Shaker, 2-33
 Panel, Air Conditioning, 2-11
 Panel, Bottom, Hopper, Rh, 2-25
 Panel, Corner, Eng Cover, 2-13
 Panel, Cover, 3-53
 Panel, Cover, Access, 2-11
 Panel, Cover, Corner, 2-13
 Panel, Cover, Dash, 2-117
 Panel, Deflector, Dirt, Lh, 2-25
 Panel, Deflector, Dirt, Rh, 2-25
 Panel, Fuel Inlet w/label, 2-11
 Panel, Headlight, 2-29
 Panel, Hopper, Bottom, Lh, 2-25
 Panel, Instmt, Brush Cntrl, 2-41
 Panel, Louver, 2-15
 Panel, Permafilter, Upper, 2-25
 Panel, Support, Seat, 2-11
 Panel, Vacuum Duct, 2-13
 Pedal Wldt, 2-79
 Pedal Wldt, Propel Lower W/tread, 2-81
 Pedal, Upper W/tread, 2-81
 Pedestal Wldt, Light, 3-11, 3-13
 Pin, 2-21, 2-27, 2-97, 3-27, 4-37, 5-9,
 5-14, 5-15, 6-3, 6-5, 7-3, 7-5
 Pin Assy, .312X3.0 W/Lanyard, 3-27
 Pin Assy, Side Brush W/clip, 2-97
 Pin Weldt., 2-21
 Pin Wldt, Latch, 2-29
 Pin Wldt., 2-23
 Pin, 1.00 Odx 4.50, Drilled, 2-23
 Pin, 1.25 Odx 3.50, Grooved, 2-23
 Pin, 1.250 Od X 4.50, 2-23
 Pin, 1.500 ODX7.81, Drilled, 2-21
 Pin, Clevis, 2-81
 Pin, Clevis .18 Dia.X .62 Lg, 2-95
 Pin, Clevis .25 Dia, 1.000 Lg., 2-81
 Pin, Clevis .31 Dia X 4.50 Lg, 2-81
 Pin, Clevis .375D X 1.000 Lg, 2-79
 Pin, Clevis .375D X 1.312 Lg, 2-81
 Pin, Clevis .50 Dia X 2.25 Lg, 2-27
 Pin, Clevis .50 Dia X 4.50 Lg, 2-81
 Pin, Clevis, 0.25 D X 0.75l, 2-41
 Pin, Clevis, 0.31 D X 0.75l, 2-63
 Pin, Cntrl Assy En, 4-21
 Pin, Cotter .094X1.00, 2-101
 Pin, Cotter, .062 X 0.75, 2-41
 Pin, Cotter, .094 X 0.75, 2-41
 Pin, Cotter, .125 X 0.75, 2-81
 Pin, Cotter, .125 X 2.00, 2-75
 Pin, Dowel [Cat 08], 7-3
 Pin, Hair Cotter, 0.69 D .092 Wir, 2-63
 Pin, Haircotter .31D .058Wire, 2-81, 2-95
 Pin, Headed, 4-11
 Pin, Headed En, 4-21
 Pin, Latch, 4-49
 Pin, Roll, .187 Dia. X .56, 4-47
 Pin, Spring, 6-3, 7-3
 Pin, Clevis, 0.37 Dia.X 2.12 Lg, 2-101,
 3-23
 Pin, Clevis, 0.50 Dia.X 2.00 Lg, 2-107
 Pin, Clevis, 0.50 Dia.X 3.50 Lg, 2-95
 Pin, Roll, .180dx1.62L, .187/.192, 3-53
 Pipe, 6-25, 7-22
 Pipe, Breather, 6-25, 7-22
 Pipe, Breather [Cat 08], 7-22
 Pipe, Fuel, 5-19
 Pipe, Oil, 5-27
 Piston, 4-31
 Piston [+0.25mm], 6-5, 7-5
 Piston [+0.50mm], 6-5, 7-5
 Piston Kit, 5-5
 Piston, Servo, 4-3, 4-7, 4-13, 4-17
 Piston, Std, 6-5, 7-5
 Pivot Wldt, Wheel, 2-73
 Plate, 2-81, 2-101, 3-23, 3-53, 3-55,
 4-27, 4-29, 5-3, 5-9, 5-11, 5-15,
 5-29, 5-33, 6-11, 6-26, 6-27, 7-23,
 7-24
 Plate [Cat 08], 7-11
 Plate Wldt, 2-101, 3-23
 Plate Wldt, Angle, 2-41
 Plate Wldt, Skirt, 3-55
 Plate Wldt, Vac Door, 3-53
 Plate-Cover, 2-101
 Plate, Adapter, 4-23
 Plate, Adaptor, 4-25
 Plate, Adj, 6-26, 7-23
 Plate, Adj, Brush, 2-109
 Plate, Angle, 2-97, 2-101, 3-23, 3-27
 Plate, Back, 4-23
 Plate, Back [Cat 08], 7-11
 Plate, Back, Pump, Hyd, 4-25
 Plate, Backing, 4-61
 Plate, Circuit Breaker, 2-118
 Plate, Cover, 2-25, 2-101
 Plate, Cover En, 4-3, 4-7, 4-13, 4-17
 Plate, Front, 4-23
 Plate, Front, Pump, Hyd, 4-25
 Plate, Guide, Bumper, 2-5
 Plate, Latch, 3-53
 Plate, Lift, Front, 6-7, 7-7
 Plate, Lift, Rear, 6-7, 7-7
 Plate, Link, 2-21
 Plate, Motor, Hyd, 4-31
 Plate, Mounting, Rfs Control, 3-61
 Plate, Mounting, Vac Door, 3-53
 Plate, Mtg, 2-55, 2-57
 Plate, Mtg, Check Valve, 3-27
 Plate, Mtg, Latch, 2-105
 Plate, Mtg, Relay, 2-118
 Plate, Mtg, Steering Boot, 2-115
 Plate, Mtg, Valve, Solenoid, 2-93
 Plate, Pin Retainer, 2-21, 2-23
 Plate, Pivot, Wheel, 2-73
 Plate, Retainer, 3-55
 Plate, Retainer, Foam, 2-113
 Plate, Seal, 2-105
 Plate, Shim, 4-49
 Plate, Shutter, 3-61
 Plate, Side Brush Roller, 2-101
 Plate, Side Brush, Roller, 3-23
 Plate, Spacer, 2-23
 Plate, Sppt, 4-47
 Plate, Spring - Side Brush, 2-111
 Plate, Striker, 2-19
 Plate, Support, Cover Se, 2-13
 Plate, Switch Mntg, 3-45, 3-49
 Plate, Thrd, 4-49
 Plate, Thrust, 6-9, 7-9
 Plate, Thrust [+0.15mm], 6-5, 7-5
 Plate, Thrust [+0.30mm], 6-5, 7-5
 Plate, Thrust, Std, 6-5, 7-5
 Plate, Vac Fan, 2-111
 Plate, Valve, Motor, Hyd, 4-31
 Plate, Wear, 4-37
 Plug, 2-11, 4-11, 4-31, 5-3, 5-7, 5-9,
 5-11, 5-29, 5-31, 6-3, 6-12, 6-15,
 6-17, 7-3, 7-7, 7-12, 7-17
 Plug [Cat 08], 7-3
 Plug & O-Ring En, 4-41
 Plug #2, 4-43
 Plug #8, 4-3, 4-7, 4-13, 4-17
 Plug Assembly, 4-27, 4-29
 Plug Assembly En, 4-41
 Plug Assy, 4-31
 Plug Assy, Byd En, 4-41
 Plug En, 4-5, 4-9, 4-15, 4-19, 4-21
 Plug Gage #4, 4-43
 Plug Gage #6, 4-41, 4-43
 Plug S/A En, 4-3, 4-7, 4-13, 4-17
 Plug Weld, Brush Drive, Sweep, 2-105
 Plug Wldt, Drive, Brush, 2-105
 Plug Wldt, Idler, 2-105
 Plug, #2 O-Ring, 4-39
 Plug, Clip [Cat 08], 7-3
 Plug, Control Box, 2-118
 Plug, Coolant, Eng, 6-3, 7-3
 Plug, Drain, 3-53
 Plug, O-ring, 4-23, 4-25, 4-29
 Plug, Oil Filter, Rework, 2-45
 Plug, Plstc, Sq, 4-59, 4-61
 Plug, Rbr, Rnd, 4-59, 4-61
 Plug, Tube, 2-105
 Plug, #12 O-Ring Ph, 4-3, 4-7, 4-13,
 4-17

CROSS REFERENCE

Plugbtn .62H .03-.12 Blacknyl, 2-118
Plugbtn .50H .03-.12 Blacknyl, 3-49
Plugbtn .62H .03-.12 Blacknyl, 4-57
Plugbtn .75h .03-.12 Blacknyl, 2-11
Plugbtn .88H .03-.12 Blacknyl, 4-57
Plugbtn 1.25h .12 Max Blacknyl, 2-11
Plugbutton, 3-19
Plugbutton .88H .03-.12 Blacknyl, 2-13
Plunger, 5-17
Plunger En, 4-41
Poppet, 4-31
Poppet En, 4-5, 4-9, 4-15, 4-19, 4-41
Poppet, Pump, Hyd, Gear, 4-31
Pulley, 5-31, 6-17, 7-17
Pulley - Cable, 1.5 Dia, 3-23
Pulley Assy, Cable, 1.5 Dia, 2-101
Pulley, Alternator, 2-43
Pulley, Crank, 5-5
Pulley, Crankshaft, 6-5
Pulley, Cshaft [Cat 08], 7-5
Pump-Hyd Gear Ex (See Breakdowns),
2-83
Pump-Hyd Piston V (See Breakdowns),
2-83
Pump, Fuel, 2-55, 2-57
Pump, Hyd, 4-23
Pump, Hyd Piston V 2.48 (See
breakdowns), 3-64
Pump, Hyd, Gear, [Ex3] 0.66 [R] 3000,
4-25
Pump, Injection, Fuel, 6-23
Pump, Injection, Fuel [Cat 08], 7-21
Pump, Oil, 6-15, 7-15
Pump, Water, 6-17, 7-17
Push Rod, 5-9

R

Race, Bearing, 4-37
Race, Bearing Ce, 4-3, 4-7, 4-13, 4-17
Race, Thrust, 4-32, 4-33
Radiator, 2-63, 2-65, 2-67
Rectifier, 2-43
Regulator, 2-43
Regulator, Temp, Coolant, 6-17, 7-17
Relay, 2-117
Relay 12Vdc 40A Spdt, 3-11, 3-13
Relay, 12Vdc 70A Cont Spst, 2-11
Relay, 12vdc, 100a, Spdt N/O [Camdec],
2-39
Relay, Shrouded, 12 Vdc, 2-118, 3-45,
3-49, 3-61
Relay, Shrouded, 12V, 3-3, 3-5, 3-7, 3-9
Relief Valve Sa En, 4-5, 4-9, 4-15, 4-19
Repair Info, Motor, 4-29, 4-33
Repair Info, Pump, 4-23
Repair Info, Mtr Cl, 4-31
Repair Info, Pmp En, 4-5, 4-9, 4-15, 4-19
Repair Info, Scu Cl, 4-37
Replacement Kit, Rh. Side Brush Cable,
2-97
Replacement Kit, Roller, Side Brush Lift,
2-101, 3-23

Replacement Kit, Side Brush Cable, Lh,
3-27
Replm Kit, Case, 2-117
Replm Kit, Cir Board, 2-117
Replm Kit, Hourmeter, 2-117
Replm Kit, Instr Panel, 2-117
Replm Kit, Lamp, Backlighting (Set of 8),
2-117
Replm Kit, Lamp, Fault (Set of 8), 2-117
Replm Kit, Seal, 2-117
Replm Kit, Touch Panel, 2-117
Retainer, 6-8, 6-23, 7-8, 7-21
Retainer, Front, Motor, Hyd, 4-31
Retainer, Frt, 4-27, 4-29
Retaining Ring-External, 1.25D, 2-23
Retaining Rng En, 4-41
Rfs Kit, 3-61
Ring, 2-95, 6-5
Ring Set, Piston [+0.25mm], 6-5, 7-5
Ring Set, Piston [+0.50mm], 6-5, 7-5
Ring Set, Piston, Std, 6-5, 7-5
Ring Wldt, Mtg, Filter, 2-33
Ring Wldt, Shaker, 2-33
Ring, Isolator, Outer Rbr, 2-63, 2-65,
2-67, 2-111
Ring, Isolator, Outer, Rbr, 2-33
Ring, Retainer, 4-37
Ring, Retainer, Lock, 2-73
Ring, Retaining, 4-11
Ring, Retaining En, 4-5, 4-9, 4-15, 4-19,
4-21
Ring, Retaining, Ex 1.5 Dia Hd, 2-21
Ring, Retaining, Ext 1.12, 2-33
Ring, Rubber, 2-47
Ring, Snap, 6-8, 7-5
Ring, Wndw, Cab, Rear, 4-47
Ring, Retain, Ex, 0.50 Stl Steel, 2-81
Ring, Retain, Ex, 0.50Od, Heavy Dt, 2-115
Rivet, Blind, .125d X 0.32 X .25d, Stl, 3-61
Rivet, Plastic, 2-7, 2-9, 3-35
Rivet, Plastic .250Dx.898, 2-115
Rivet, Plastic .325D X .787, 2-11
Rivet, Pop, 2-15
Rocker Shaft, 5-9
Rockershaft, 5-5
Rockershaft Assy, 5-9
Rod Assy, Connecting, 6-5, 7-5
Rod End .250-28 .25Dia, 2-81
Rod Wldt, Push, Brake, 2-79
Rod-End, .25-28rh Fem 0.25b [Teflon],
2-81
Rod-Thrd, Full .25-28, 2-81
Rod-Thread, 2End M08X1.25X10Lg, 2-79
Rod, Latch, Steering, Tilt, 2-115
Rod, Push, 6-9
Rod, Push [Cat 08], 7-9
Rod, Seat, 2-11
Rod, Support Cover, 2-13
Rod, Thread, 2-101, 2-109
Rod, Threaded .50-13, 2-107
Roll Pin En, 4-5, 4-9, 4-15, 4-19
Rotating Kit, 4-3, 4-7, 4-13, 4-17

S

Scr Flt M8x1.25 20, 2-93
Scr Hex .38-16X0.75, 2-115
Scr Hexssm10X1.5 30, 2-51
Scr Soc M 6X1.0, 2-37
Scr-Flt M10X1.5 20 Ss18-8, 2-51
Scr-Hxfmgm 5X0.8 16 pltd, 2-13
Scr-soc .50-13x2.75 Alloypltd, 2-73
Scr-soc M12x1.75 60, 2-73
Screen Kit, Door, Side, Modif, 2-17
Screen, Filter, 2-33
Screw, 2-55, 4-33, 5-3, 5-5, 5-7, 5-9,
5-11, 5-13, 5-15, 5-17, 5-19, 5-23,
5-27, 5-29, 5-31, 5-32, 5-33, 6-3,
6-15, 7-3, 7-15
Screw Flt, 2-113
Screw Set M 6X1.020, 2-95
Screw-Hex M10X1.5, 2-97
Screw-Hex M10X1.5 90 Full Thd, 2-97
Screw-Set M10 X 1.50 2045H, 2-81
Screw, Cap, 4-3, 4-7, 4-13, 4-17, 4-23,
4-27, 4-29
Screw, Cap En, 4-3, 4-5, 4-7, 4-9, 4-13,
4-15, 4-17, 4-19
Screw, Cap, Motor, Hyd, 4-25, 4-31
Screw, Flt, .50-13 X 2.00, Al, 2-97, 3-27
Screw, Flt, M10 X 1.5 X 25, 10.9, 2-97,
3-28
Screw, Flt, M10 X 1.5 X 35, 10.9, 2-97,
3-28
Screw, Flt, M5 X 0.8 X 16, 10.9, 2-105
Screw, Flt, M8 X 1.25 X 25, 10.9, 2-41
Screw, Flt, M8 X 1.25 X 30, Ss, 2-25
Screw, Hex, 6-7, 6-11, 6-21, 6-23, 6-26,
7-7, 7-11, 7-21, 7-23
Screw, Hex m06, 3-37
Screw, Hex m08, 3-23
Screw, Hex, .25-20 X 0.75, NI, 2-7, 2-9,
2-17
Screw, Hex, .25-20 X 1.00, 5, 2-81
Screw, Hex, .25-20 X 1.00, G5, 4-49
Screw, Hex, .31-09 X 1.25, Wood, 2-3
Screw, Hex, .38-16 X 0.75, G5, 2-115,
3-37
Screw, Hex, .38-16 X 1.00, 5, 2-39
Screw, Hex, .38-16 X 1.00, NI, 2-98, 3-28
Screw, Hex, .38-16 X 1.25, 5, 2-39
Screw, Hex, .38-16 X 1.25, NI, 2-81
Screw, Hex, .38-16 X 1.50, Fl, 3-43
Screw, Hex, .38-16 X 1.50, G5, 2-115
Screw, Hex, .38-16 X 2.00, 5, 2-63, 2-65,
2-67
Screw, Hex, .38-16 X 4.00, G5, 3-43
Screw, Hex, .50-13 X 1.25, 5, 2-83
Screw, Hex, .50-13 X 3.50, 5, 2-105
Screw, Hex, .75-10 X 2.50, G5, 2-73
Screw, Hex, #08-32 X 0.38, Ss, 3-61
Screw, Hex, 10-24 X 0.50, Ss, 3-61, 4-49
Screw, Hex, M 8 X 1.00 X 16, 10.9, 2-37
Screw, Hex, M08 X 1.25 X 20, 8.8, 3-33
Screw, Hex, M10 X 1.25 X 35, 8.8, 3-43
Screw, Hex, M10 X 1.5, 4-49
Screw, Hex, M10 X 1.5 X 20, 8.8, 6-23

- Screw, Hex, M10 X 1.5 X 20, Ss, 2-97, 3-28
- Screw, Hex, M10 X 1.5 X 20, Ss, NI, 2-21, 2-23
- Screw, Hex, M10 X 1.5 X 25, 8.8, 2-7, 2-9, 2-98, 2-102, 2-105, 3-23, 3-28, 6-12
- Screw, Hex, M10 X 1.5 X 25, Ss, 2-33
- Screw, Hex, M10 X 1.5 X 25, Ss, NI, 2-98, 3-28
- Screw, Hex, M10 X 1.5 X 30, 8.8, 2-39, 6-12
- Screw, Hex, M10 X 1.5 X 35, 8.8, 2-33, 2-39, 2-97, 2-102, 3-23, 3-28
- Screw, Hex, M10 X 1.5 X 40, 8.8, 2-81
- Screw, Hex, M10 X 1.5 X 45, 8.8, 6-11
- Screw, Hex, M10 X 1.5 X 50, 8.8, 2-111, 3-41, 3-47
- Screw, Hex, M10 X 1.5 X 60, 8.8, 2-71
- Screw, Hex, M10 X 1.5 X 80, 8.8, 2-101, 3-24
- Screw, Hex, M10 X 1.5 X 90, 8.8, 2-29, 2-102, 3-24
- Screw, Hex, M10 X 1.5 X 90, 8.8, FI, 3-28
- Screw, Hex, M10 X 1.50 X 25, Ss, 3-5, 3-9
- Screw, Hex, M10 X 1.50 X 30, Ss, 2-101, 3-23
- Screw, Hex, M10 X 1.50 X 90, 8.8, 3-37
- Screw, Hex, M12 X 1.75 X 20, 8.8, 2-53
- Screw, Hex, M12 X 1.75 X 30, 8.8, 2-39, 2-57, 2-105
- Screw, Hex, M12 X 1.75 X 35, 8.8, 2-105
- Screw, Hex, M12 X 1.75 X 40, 8.8, 2-71
- Screw, Hex, M12 X 1.75 X 60, 8.8, 2-25, 2-39
- Screw, Hex, M12 X 1.75 X 70, 8.8, 2-39
- Screw, Hex, M12 X 1.75 X 80, 8.8, 2-39
- Screw, Hex, M14 X 2.0 X 35, 8.8, 3-43
- Screw, Hex, M14 X 2.0 X 35, 8.8, 3-43
- Screw, Hex, M16 X 2.0 X 70, 8.8, FI, 3-24
- Screw, Hex, M20 X 2.5 X 60, 8.8, 2-73
- Screw, Hex, M20 X 2.5 X 70, 8.8, 2-73
- Screw, Hex, M4 X 0.70 X 12, 8.8, 3-15
- Screw, Hex, M5 X 0.8 X 16, Ss, 2-117
- Screw, Hex, M5 X 0.80 X 16, 8.8, 3-3, 3-5, 3-7, 3-9, 3-11, 3-13
- Screw, Hex, M5 X 0.80 X 25, Ss, 2-105
- Screw, Hex, M6 X 1.0 X 12, Fmg, 2-25, 3-61
- Screw, Hex, M6 X 1.0 X 16, 8.8, 2-41, 2-49, 2-117
- Screw, Hex, M6 X 1.0 X 20, 8.8, 2-17, 2-39, 2-57, 2-65, 2-67, 2-81, 2-93, 2-111, 2-118
- Screw, Hex, M6 X 1.0 X 20, 8.8, NI, 2-29, 2-105
- Screw, Hex, M6 X 1.0 X 20, Fmg, 2-57, 2-97, 3-27, 3-41, 3-47
- Screw, Hex, M6 X 1.0 X 25, 8.8, 2-7, 2-9, 2-98, 3-28, 6-23
- Screw, Hex, M6 X 1.0 X 35, 8.8, 2-7, 2-9
- Screw, Hex, M6 X 1.0 X 35, Ss, 2-81
- Screw, Hex, M6 X 1.0 X 50, 8.8, 2-49
- Screw, Hex, M6 X 1.0 X 60, 8.8, 2-101, 3-23
- Screw, Hex, M6 X 1.00 X 16, NI, Ss, 2-115
- Screw, Hex, M6 X 1.00 X 20, 8.8, 2-67, 2-115, 3-11, 3-13, 3-15, 3-35
- Screw, Hex, M6 X 1.00 X 25, 8.8, 3-43
- Screw, Hex, M8 X 1.25 X 14mm, 6-17
- Screw, Hex, M8 X 1.25 X 16, 8.8, 2-29, 2-53, 2-79, 6-11, 6-13, 6-15, 6-23
- Screw, Hex, M8 X 1.25 X 16, Ss, 3-3, 3-5, 3-7, 3-9
- Screw, Hex, M8 X 1.25 X 16mm, 6-9
- Screw, Hex, M8 X 1.25 X 20, 8.8, 2-17, 2-29, 2-53, 2-57, 2-63, 2-65, 2-67, 2-71, 2-101, 2-111, 3-3, 3-7, 3-23, 3-43, 6-7, 6-15, 6-23, 6-26
- Screw, Hex, M8 X 1.25 X 20, Ss, 2-25
- Screw, Hex, M8 X 1.25 X 20, Ss, NI, 2-81
- Screw, Hex, M8 X 1.25 X 25, 8.8, 2-57, 2-63, 2-65, 2-67, 2-115, 6-8, 6-15, 6-17, 6-19
- Screw, Hex, M8 X 1.25 X 25, Fmg, 3-37
- Screw, Hex, M8 X 1.25 X 25, Ss, 2-101, 3-23
- Screw, Hex, M8 X 1.25 X 25mm, 6-25, 6-26
- Screw, Hex, M8 X 1.25 X 30, 8.8, 2-101, 2-111, 3-23, 3-43, 6-19
- Screw, Hex, M8 X 1.25 X 30, Ss, 2-25
- Screw, Hex, M8 X 1.25 X 35, 8.8, 2-57
- Screw, Hex, M8 X 1.25 X 40, 8.8, 2-97, 2-101, 3-28, 6-21
- Screw, Hex, M8 X 1.25 X 40mm, 6-7
- Screw, Hex, M8 X 1.25 X 45, 8.8, 6-17
- Screw, Hex, M8 X 1.25 X 45mm, 6-17
- Screw, Hex, M8 X 1.25 X 50, 8.8, 2-73
- Screw, Hex, M8 X 1.25 X 60, 8.8, 2-102, 2-105, 3-24
- Screw, Hex, M8 X 1.25 X 70, 8.8, 2-79
- Screw, Hex, M8 X 1.25 X 80, 8.8, 6-17
- Screw, Hex, M8 X 1.25 X 90, 8.8, 6-21
- Screw, Pan, #10-24 X 0.50, Fmg, 2-97, 3-28
- Screw, Pan, M 6 X 1.0 X 40, 4.8, 2-15, 2-17
- Screw, Pan, M04, 3-17
- Screw, Pan, m06, 2-29
- Screw, Pan, M5 X 0.80 X 10, 4.8, 3-61
- Screw, Pan, M6 X 1.0 X 20, 4.8, 2-33
- Screw, Pan, Phl, M5 X 0.80 X 16, 4.8, 4-49
- Screw, Pan, Phl, M6 X 1.0 X 20, Blk, 4-47
- Screw, Pan, Phl, M6 X 1.00 X 16, 4.8, 2-67
- Screw, Set, 2-105, 4-11
- Screw, Set En, 4-21
- Screw, Soc, M10 X 1.5 X 25, 12.9, 2-39
- Seal, 2-5, 2-11, 2-13, 3-53, 3-61, 5-3, 5-7, 5-29, 6-3, 6-8, 6-12, 7-3, 7-12
- Seal Kit, 4-32, 4-33
- Seal [Cat 08], 7-3
- Seal Kit, 4-34, 4-44
- Seal Kit, Cart, 4-39
- Seal Kit, Cart CP, 4-43
- Seal Kit, Cart., 4-38
- Seal Kit, Cartridge, 4-63, 4-65, 4-66
- Seal Kit, Coil, 4-38, 4-39
- Seal Kit, Coil CP, 4-43
- Seal Kit, Cyl, Hyd, 4-45
- Seal Kit, Hyd Mtr Gear, 4-35
- Seal Kit, Motor, 4-27, 4-29
- Seal Kit, Pump En, 4-3, 4-5, 4-7, 4-9, 4-13, 4-15, 4-17, 4-19
- Seal Kit, Rear, 4-29
- Seal Kit, Scu, 4-37
- Seal Kit, Shaft, 4-27, 4-29
- Seal Kit, Shaker Panel, 2-33
- Seal Kit, Vlv En, 4-41
- Seal Kit,Cntrl, 4-11
- Seal Kit,Cntrl En, 4-21
- Seal Stop, Wndw, 4-47, 4-49
- Seal, 48.0 Lg., 2-11, 2-15, 2-17
- Seal, 7.00 Lg, 2-11
- Seal, Afmkt, Bulb, 90, 0.75d F/11ga 08ft, 4-47
- Seal, Afmkt, Bulb, 90, 0.75d F/11ga 20ft, 4-49
- Seal, Afmkt, Ure, Adh, 0.38, 0.75w 01ft, 3-35
- Seal, Afmkt, Ure, Adh, 0.50, 1.00w 03ft, 3-35
- Seal, Afmkt, Ure, Adh, 0.50, 1.00w 08ft, 3-35
- Seal, Bearing, 2-115
- Seal, Boot, Steering Column, 2-115
- Seal, Brush Comp, Side, 2-2, 2-7, 2-9
- Seal, Brush Door, 2-7, 2-9
- Seal, Bulb, Sd-0504 19.75Lg, 2-13
- Seal, Bulb, Sd-0504 24.50Lg, 2-11
- Seal, Bulb, Sd-0504 28.00 Lg, 2-11
- Seal, Crank, Front, 6-11, 7-11
- Seal, Door, Brush, Lh, 2-7
- Seal, Door, Brush, Rh, 2-9
- Seal, Door, Rbr, 14" Lg, 4-47
- Seal, Ds, 6-3
- Seal, Duct, 2-63, 2-65, 2-67
- Seal, Dust, 2-11, 2-25, 2-33
- Seal, Filter, 3-61
- Seal, Foam Rbr .19 .75W 8.43L, 3-53
- Seal, Foam Rbr, .19 .75W 47.1L, 3-53
- Seal, Foam, .06t .25w 34.0l, 3-39
- Seal, Foam, .06t .25w 42.0l, 3-39
- Seal, Foam, .06t .25w 54.0l, 3-39
- Seal, Foam, .06t .25w 76.0l, 3-39
- Seal, Foam, .06t .25w 84.0l, 3-39
- Seal, Foam, 2.00 2.00w 37.0l, Adh, 3-35
- Seal, Foam, Urethane Covered, 2-25
- Seal, Handle, Valve, 2-117
- Seal, O-Ring .7871dx.210Th, 3-61
- Seal, Org, 6-11, 6-13, 6-15, 6-19, 6-23, 7-11, 7-13, 7-15, 7-18, 7-21
- Seal, Org [Cat 08], 7-15, 7-18
- Seal, Pan, Top, 2-2, 2-5
- Seal, Rod, Adjuster, 2-11, 2-109

CROSS REFERENCE

- Seal, Ure, 0.38 0.75w 19.5l Adh, 2-63, 2-65, 2-67
Seal, Ure, 0.50th, 1.50w X 05.0l, Slit, 2-41
Seal, Urethane, 3-61
Seal, Urethane Covered Foam, 2-29
Seal, Wndw [Center Wipe], 4-47, 4-49
Seal, Foam Rbr, .31 .75W 14.8L, 2-11
Seal, Foam Rbr, .62 .62W 24.5L, 2-13, 2-15, 2-17
Sealing Kit, Operator Comp, 2-11
Seat, 5-11
Seat Belt Kit, 3-59
Seat, Suspension, 2-11
Send Unit, Temp Water .62Unf, 2-37
Send-Unit, 2-55
Send-Unit, Fuel [800/810 2007], 2-57
Send-Unit, Water, Temp, M16x1.5 1130/195, 2-39
Sender, Filter, Hydraulic, 2-19
Set Screw, 2-33
Shaft, 3-53, 4-33, 5-3, 5-15
Shaft [Cat 08], 7-11
Shaft and Brg, 4-27, 4-29
Shaft Assy, 6-8
Shaft Wldt, Main Brush, 2-105
Shaft, Drive Sp En, 4-3, 4-7, 4-13, 4-17
Shaft, Eccentric, 2-33
Shaft, Idler, 2-105, 6-3, 7-3
Shaft, Input, 4-11
Shaft, Input En, 4-21
Shaft, Motor, Hyd, 4-31
Shaft, Pivot, 2-97, 3-27, 3-61
Shaker Bar Replacement Kit, 2-33
Sheave, Alternator, Se, 3-51
Sheave, Crank, Aux Drive, 3-43
Shield, Dust, 2-5
Shim, 4-31, 5-15
Shim .003Th 0.88Odx0.506ld, 2-111
Shim .005Th 0.88Odx0.506ld, 2-111
Shim .010 Thk En, 4-41
Shim .010Th 0.88Odx0.506ld, 2-111
Shim .015 Thk En, 4-41
Shim .020Th 0.88Odx0.506ld, 2-111
Shim .035 Thk En, 4-41
Shim .060Th 0.880Dxo.506ld, 2-111
Shim Kit, Pump, Injection [Pk], 5-19
Shims En, 4-5, 4-9, 4-15, 4-19
Shoe, Brake, 4-59, 4-61
Short Block, 5-3
Shoulder Screw, 2-33
Shroud Kit, Fan, Radiator [800/810], 2-67
Shroud Wldt, Fan, Radiator [800/810], 2-67
Shroud, Fan, Radiator, W/ Label [800], 2-63, 2-65
Signal Turn, 3-17
Skirt, 3-55
Skirt, Brush Door, 2-2, 2-7, 2-9
Skirt, Cooling Fan [800/810], 2-67
Skirt, Cover, Sbdc, 3-55
Skirt, Deflection, 3-55
Skirt, Deflector, 2-25
Skirt, Front, Indoor, 2-2, 2-7, 2-9
Skirt, Lip, 2-25
Skirt, Retainer, 3-55
Skirt, Seal, Main Brush, 2-2, 2-5
Sleeve, 2-47, 2-101, 3-23, 3-47, 5-11
Sleeve .438B 1.00D .35Stl, 3-23
Sleeve-Nyln #24 25.0L, 2-45
Sleeve, .259B .38D .62 Dom, 2-95
Sleeve, .320B .32D .49 Lc Stl, 2-29
Sleeve, .344B .50D .81 Cr.Anc, 2-79
Sleeve, .375B .62D1.06 Stl, 2-73
Sleeve, .375B .75D .32 Stl, 2-101, 3-23
Sleeve, .385B .62D .62 Cd.Cad, 2-11
Sleeve, .408B .62D .53Stl, 2-81
Sleeve, .438B 1.00D .35 Stl, 2-101
Sleeve, 0.406B .750D .800Stl, 3-23
Sleeve, 0.406B 0.75D1.80 Stl, 2-101, 3-23
Sleeve, Bearing, 2-33
Sleeve, Dashpo, Pump, Hyd, Gear, 4-31
Sleeve, Hyd 30", 2-105
Sleeve, Nyl 16.0 L, 2-19
Sleeve, Nyl, #27 55.0l, 3-31
Sleeve, Nyl, #33 65.0l, 3-41
Sleeve, Nyl, 37, 25.0l, 2-73
Sleeve, Nylon #27 65.0L, 2-97
Sleeve, Nylon #27 55.0l, 3-27
Sleeve, P/M, 0.496d 0.318b 0.50l 430ss, 2-101
Sleeve, Pivot, Door, 2-27
Sleeve, 0.406B .750D .800 Stl, 2-101
Slider, 5-15
Solenoid, 2-37, 5-25
Solenoid [Cat 08], 7-21
Solenoid, Valve, Hyd, 4-65, 4-66
Solenoid, Valve, Hyd, 36vdc, 4-63, 4-65, 4-66
Spacer, 2-23, 2-63, 2-65, 2-67, 2-79, 2-97, 2-101, 2-111, 3-23, 3-27, 5-9, 5-19, 5-31
Spacer En, 4-41
Spacer Plate, 4-33
Spacer-.50 Od X .055W X 1.0, 2-79
Spacer, .25 L, 2-95
Spacer, .75D .9L .25-28 Th, 2-81
Spacer, .90L, 2-95
Spacer, 0.33B 0.50D 0.15L, Pl, 2-53
Spacer, Brake, 2-79
Spacer, Condenser, 4-53
Spacer, Nyl, 4-47
Spindle, Adjustment, 2-13
Spring, 2-33, 4-27, 4-29, 4-31, 4-59, 4-61, 5-7, 5-9, 5-14, 5-15, 5-17, 5-29, 6-8
Spring En, 4-41
Spring [Cat 08], 7-8
Spring En, 4-5, 4-9, 4-15, 4-19, 4-41
Spring Kit, 4-37
Spring-Gas, Engine Cover, 2-29
Spring, Cmpr, 18.3d, 2.0w, 16.5l Mw Zn, 2-41
Spring, Cntr, 4-11
Spring, Cntr En, 4-21
Spring, Comp, 2-97, 3-27
Spring, Extension, 2-97, 3-27
Spring, Gas 80 Lb, 3-37
Spring, Motor, Hyd, 4-31
Spring, Propel, Centering, 2-81
Spring, Recirculation, 2-5
Spring, Tens, 0.5Dx.06Wire 2.5L, 2-79
Spring, Tension, 2-107
Spring, Torsion, 3-27
Spring, Torsion, Rh, 2-97
Spring, Valve, 6-8
Spring, Retainer, 4-11
Spring, Retainer En, 4-21
Sprng, Comp, 0.62ldx.06Wire 2.3L, 2-115
Sprng, Comp, 0.83ldx.07Wire 1.0L, 3-53
Sprng, Comp, 0.87ldx.10Wire 2.5L, 2-109
Sprng, Tens, 0.965Odx.09Wire 4.4L, 2-29
Sprng, Tens, 1.00Odx.09Wire 2.8L, 2-81
Starter, 6-12, 7-12
Starter Motor, 5-25
Starter Motor (See Starter Motor Breakdown), 5-23
Steer Control Hyd#4 04.5 1300, 4-37
Steer Control, Hyd (See Breakdowns), 2-115
Stem, Valve, Hyd, 4-63, 4-65
Strain, Relief, 2-35, 3-61
Strainer-Hyd Suction 25-100-03, 2-2, 2-91
Strainer, Oil, 6-15, 7-15
Strap, 2-55, 2-57
Strap, Retainer, Seal, 2-2, 2-5
Strip, Hopper, 2-25
Strip, Retainer, Bearing, 2-105
Strip, Retainer, Brake Cable, 2-79
Strip, Retainer, Seal, Lh, 2-7
Strip, Retainer, Seal, Rh, 2-9
Strip, Retainer, Seal, Side, 2-7, 2-9
Strip, Retainer, Shield, Lh, 2-5
Strip, Retainer, Shield, Rh, 2-5
Strip, Retainer, Skirt, 2-2, 2-7, 2-9, 3-55
Strip, Retainer, Skirt, Front, 2-25
Strip, Spacer, 2-13
Stud, 5-9, 5-13, 5-19, 5-23, 5-31, 6-7, 6-12, 6-19, 6-21, 6-23, 7-12, 7-18, 7-19, 7-21
Stud [Cat 08], 7-19
Stud, Adjustment, 3-53
Stud, Wheel .56-18x2.13, 2-73, 2-75
Sump, 5-27
Support Kit, Exhaust, Modif, 2-53
Support Wldt, Sppt, Hopper Lh, 2-31
Switch, 3-17
Switch Assy, Pressure, Hyd, 2-93
Switch Assy, Roller-no, 3-15
Switch Ignition, 2-117
Switch Rocker Spst, 2-101, 3-23
Switch, A/C [Binary], 4-53
Switch, Motor, Wiper, 12v, 4-47
Switch, Press, 0006psi Dpdt, 2-37, 2-39
Switch, Pressure, 2-35, 3-61
Switch, Pushmom, Spst100A 12V, 2-115
Switch, Rocker, Dpdt, 2-107, 2-117
Switch, Roller, 2-21

Switch, Temp Ac, 3-45
 Switch,3Way Blow, 3-45, 3-49
 Switch,Lockout En, 4-21
 Swivel, 3-41, 3-47

T

Tank Wldt, Hydraulic w/label, 2-91
 Tank, Coolant, 03.5 03.0 06.5deep 1.0 Qt, 2-63
 Tank, Coolant, 04.7 03.3 4.7deep, 1liter, 2-65, 2-67
 Tank, Coolant, 06.0 04.5 06.9deep 2.5 Qt, 2-63
 Tank, Fuel, 2-55
 Tank, Fuel, 14.0gal, 14.66w 13.0ohi 19.0l, 2-57
 Tappet, 5-9, 6-9, 7-9
 Terminal, Qm, .25 16-14ga, Blu, F-Ins, 4-47
 Thermostat, 5-31
 Thermostat [Cat], 7-17
 Thermostat Assembly, 155 Deg, 2-113
 Thermostat, Coolant, 6-17
 Tie, Cable, 2-45, 2-55, 2-57, 3-3, 3-5, 3-7, 3-9, 3-15, 3-17
 Tie, Cable 1.75D Max 7.50Lg, 2-35
 Tie, Cable 1.75D Max 7.50Lg, 3-11, 3-13, 3-61
 Tie, Cable 3.00D Max 11.41Lg, 2-115
 Tie, Cable 4.00 Max 14.50Lg, 3-61
 Tie, Cable, 11.3l, 2.75d Max, 2-67
 Tie, Cable, 20.0l, 6.00d Max, 2-111
 Tie, Cable, Nyl, 07.3l .19w 1.8 Max D, 3-63
 Tie, Cable, Nyl, 11.4l .19w 3.0 Max D, 2-5
 Tie, Cable, Nyl, 15.3l . W 4.5 Max D, 2-41, 3-41
 Timing Gear Cover, 5-11
 Tire & Flap Assy, 2-77
 Tire & Rim Assy, Pneu 6.50-10, 2-77
 Tire and Rim Assy, Solid 6.5, 3-58
 Tire, Solid, 3-58
 Tread, Floormat, Rubber, 2-11
 Tread, Rubber, 3-35
 Trim, 2-11
 Tube, 6-13, 7-13
 Tube Fuel .31D, 2-55
 Tube Fuel .31D 05lf, 2-55
 Tube Fuel .31D 05lf/, 2-55
 Tube Fuel .31D 05lf/, 2-57
 Tube Fuel .31D, 2-57
 Tube Fuel .31D 05lf, 2-57
 Tube Fuel .31D 05lf/, 2-57
 Tube Assy, 5-27
 Tube Assy, Brake, 2-79
 Tube Asy,Cond/Dry, 4-53
 Tube Wldt, Brace, Center, 2-13
 Tube Wldt, Exhaust 1.7D 4H Fln, 2-51
 Tube, 0.62D .44B 2.44, Stil, 2-29, 3-37
 Tube, 0.75D 0.38B 0.8L Stil Z, 2-43
 Tube, Coolant 1.5D, 2-59
 Tube, Coolant 1.5D W/.25Npt, 2-59

Tube, Cooling, Oil, 6-3
 Tube, Cross, Bumper, Se, 3-21
 Tube, Ds, 6-3
 Tube, Exhaust, 2-51
 Tube, Exhaust [800d], 2-53
 Tube, Exhaust, 1.7D 1.87D 1.78, 2-51
 Tube, Extension, 2-51
 Tube, Inner, 2-77
 Tube, Radiator, Lower [800], 2-61
 Tube, Radiator, Upper [800ds], 2-61
 Tube, Retainer, Spring, 2-107
 Tube, Spacer, Brush Lift, 2-107

U

U-Nut Clip, M6, 2-13

V

V-Belt, Hc38X 45.12, 2-43
 Valve, 4-27, 4-29, 4-31, 5-17
 Valve - Hyd., Solenoid, 4-38
 Valve -3Way, 3-41, 3-47
 Valve Assy, Heater, 3-41, 3-47
 Valve Plate, 4-5, 4-9, 4-15, 4-19, 4-27, 4-29
 Valve Spool, 4-11
 Valve Stem N.O. CP, 4-43
 Valve Stem 4W2P, 4-39
 Valve Stem 4W2P CP, 4-43
 Valve Stem, N.D., 4-38
 Valve-Hyd, Solenoid (See Breakdowns), 2-93, 2-113, 3-27
 Valve, Cartridge, Check, 4-65, 4-66
 Valve, Cartridge, Flow Reg, 4-65
 Valve, Cartridge, Relief, 4-65
 Valve, Cntrl, Hyd, Solenoid, 12vdc 06gpm, 4-66
 Valve, Cntrl, Hyd, Solenoid, 12vdc 06gpm (See Breakdowns), 2-101, 3-23
 Valve, Cntrl, Hyd, Solenoid, 12vdc 08gpm, 4-65
 Valve, Cntrl, Hyd, Solenoid, 12vdc 08gpm (See Breakdowns), 2-93
 Valve, Cntrl, Hyd, Solenoid, 12vdc 12gpm, 4-63
 Valve, Cntrl, Hyd, Solenoid, 12vdc 12gpm (See Breakdowns), 2-113, 3-27
 Valve, Drive, Motor, Hyd, 4-31
 Valve, Exhaust, 6-8, 7-8
 Valve, Expansion, 4-55
 Valve, Guide [Cat 08], 7-7
 Valve, Heater, H, Manual .62H, 3-41
 Valve, Heater, H, Manual .62H, 3-47
 Valve, Hyd Control Man, 4-41
 Valve, Hyd Control Man (See Breakdowns), 2-95
 Valve, Hyd Control Solenoid, 4-39, 4-43
 Valve, Hyd Solenoid (See Breakdowns), 2-101
 Valve, Hyd, Solenoid (See Breakdowns), 3-23

Valve, Inlet, 6-8, 7-8
 Valve, Press, Oil [Cat 08], 7-15
 Valve, Relief, 6-15, 7-15
 Valve, Relief, Press, Eng Oil, 6-15
 Valve, Seal, Stem [Cat 08], 7-7, 7-8
 Valve, Seat [Cat 08], 7-7
 Valve, Shutoff, 6-25, 7-22
 Vlv Spool Wide En, 4-21

W

Wand, 3-53
 Wand Kit, Vac, 3-53
 Washer, 2-35, 2-37, 2-73, 2-97, 2-117, 4-3, 4-7, 4-13, 4-17, 4-23, 4-25, 5-5, 5-11, 5-15, 5-19, 5-29, 5-34, 5-35, 6-26, 7-21, 7-23
 Washer Flat,0.50,Sae, 2-53, 2-115
 Washer [Cat 08], 7-11, 7-15, 7-21
 Washer En, 4-3, 4-5, 4-7, 4-9, 4-13, 4-15, 4-17, 4-19, 4-41
 Washer Flt .31 Hard, 2-55, 2-57
 Washer-Belleville .31 Pltd, 3-23
 Washer-Belleville .50 Pltd, 2-97, 3-27
 Washer-Flt .25 Fender, 3-35
 Washer-Flt .25 Fender Rltd., 2-11
 Washer-Loc Int-Ext .31 Pltd, 3-33
 Washer-Loc Int-Ext .25 Pltd, 2-51, 3-17
 Washer-Loc Int-Ext .38 Pltd, 2-43
 Washer-Loc Int-Ext 10 Pltd, 3-17
 Washer, .310B .88D .12Rbr, 3-27
 Washer, .344B .69D .06Nylon, 2-13, 3-61
 Washer, .516B .90D .07Cr., 2-81
 Washer, .531B 1.75D .12Cr.Znc, 2-105
 Washer, .531B 1.88D .12Hard Zn, 2-11
 Washer, .532B 2.13D .11Hr.Znc, 2-37
 Washer, 1.015B 1.75D .11Hrs, 2-27
 Washer, 1.300B 3.000, 2-97, 3-27
 Washer, 7.2mm X 14.5mm X 2mm, 6-23
 Washer, 8.8mm X 16mm X 2mm, 6-7
 Washer, Belleville, .25, 2-97, 3-28
 Washer, Belleville, .31, 2-29, 2-63, 2-65, 2-67, 2-71
 Washer, Belleville, .50, 2-105
 Washer, Fender, 2-47
 Washer, Flat, 3-23, 3-27
 Washer, Flat, .28b 0.75d 1.80, Ne, 4-47
 Washer, Flat, #10, 2-25, 2-29, 2-41, 2-49, 2-57, 2-65, 2-67, 2-93, 2-101, 2-117, 2-118, 3-23
 Washer, Flat, 0.25 Sae, 2-49, 2-105, 2-118
 Washer, Flat, 0.25 Std, 2-39, 2-41, 2-63, 2-81, 3-41, 3-47
 Washer, Flat, 0.25, Sae, 2-7, 2-9, 2-111, 3-15, 4-47, 4-49
 Washer, Flat, 0.25, Std, 2-17, 2-67, 3-3, 3-7, 3-35, 3-43
 Washer, Flat, 0.25b 0.56d .05, Pl, 10, 2-115, 3-3, 3-5, 3-7, 3-9, 3-11, 3-13, 4-49
 Washer, Flat, 0.28b 1.00d .06, Stil, Blk, 4-47

CROSS REFERENCE

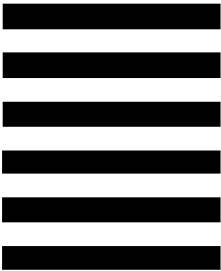
Washer, Flat, 0.28b 1.38d .12, Hrs Pl,
2-95
Washer, Flat, 0.31 Fender, 3-33
Washer, Flat, 0.31 Sae, 6-8, 6-9, 6-11,
6-13, 6-15, 6-17, 6-19, 6-21, 6-23,
6-25, 6-26
Washer, Flat, 0.31 Ss, 3-37
Washer, Flat, 0.31 Std, 2-29, 2-39, 2-41,
2-49, 2-53, 2-63, 2-65, 2-67, 2-79,
2-101, 2-111, 3-23, 3-43, 6-7
Washer, Flat, 0.31, Sae, 2-25, 3-3, 3-7
Washer, Flat, 0.31, Std, 2-17, 2-73, 3-37,
3-43
Washer, Flat, 0.31b 0.88d .12, Rbr, 4-47
Washer, Flat, 0.321b 1.00d .12, Ss, 2-81
Washer, Flat, 0.38 Sae, 2-81, 2-98, 3-28
Washer, Flat, 0.38 Std, 2-21, 2-23, 2-33,
2-39, 2-63, 2-65, 2-67, 2-71, 2-98,
3-28, 3-41, 3-43, 3-47, 6-11, 6-12,
6-15, 6-23
Washer, Flat, 0.38, Sae, 2-115, 3-43
Washer, Flat, 0.38, Std, 2-7, 2-9, 2-101,
2-111, 3-5, 3-9, 3-37, 4-49
Washer, Flat, 0.38b 0.88d .08, Ss, 2-25,
3-37
Washer, Flat, 0.39b 0.75d .06, Nyl, 2-41
Washer, Flat, 0.40b 1.12d .12, Stl, Pl,
2-113
Washer, Flat, 0.44, Std, 2-7, 2-9, 2-73
Washer, Flat, 0.44b 1.00 .08, Ss, 2-33
Washer, Flat, 0.44b 2.00d .12, Stl, Pl,
2-63, 2-65, 2-67
Washer, Flat, 0.50 Sae, 2-39, 2-57, 2-71,
2-83, 2-105
Washer, Flat, 0.50 Std, 2-39, 2-57, 3-43
Washer, Flat, 0.50, Sae, 2-73
Washer, Flat, 0.50, Std, 2-15, 2-17, 3-43
Washer, Flat, 0.53b 2.13d .11, Stl, Pl,
2-39
Washer, Flat, 0.56b 1.38d .11, Ss, 2-13
Washer, Flat, 0.62, Sae, 2-109
Washer, Flat, 0.75, Sae, 2-73
Washer, Flat, 08, 3-15
Washer, Flat, 1.02b 1.75d .12, Stl, 2-75
Washer, Flat, Belleville, .25, 2-7, 2-9,
2-17
Washer, Flat, Belleville, .31, 2-115
Washer, Flat, M10, Ss, 2-101, 3-23
Washer, Hard [Cat 08], 7-7, 7-9, 7-11,
7-12, 7-15, 7-17, 7-18, 7-19, 7-21,
7-23
Washer, Lock [Cat 08], 7-11, 7-13, 7-15,
7-18, 7-19, 7-21, 7-22, 7-23
Washer, Lock, Int-ext, .38, 2-39
Washer, Lock, Int-Ext, 0.31, 3-43
Washer, Lock, Int, 0.25, 2-53, 3-11, 3-13
Washer, Lock, Int, 0.31, 2-19, 2-63, 2-65,
2-113
Washer, Lock, Int, 0.31 Ss, 3-37
Washer, Lock, Int, 0.31, Ss, 3-37
Washer, Lock, Int, 08 Ss, 3-61
Washer, Lock, Int, 10, Ss, 2-105
Washer, Rbr, .12 0.31b 0.88d, 2-63,
2-101, 3-23
Washer, Lock Special, 2-73
Water Pump, 5-31
Weight, 5-15
Weight, Die, 2-5
Wheel, Steering, 2-115
Wheel, Steering, 14.0d 0.81b 36tooth,
2-115
Wire Ass'Y-Elect., Ground, 2-37, 2-39
Wire-Ground, Alternator, 2-43
Wire, 10ga 16.0l Blk .25ring /.38ring, 3-43
Wire, 42.0 Lg, 2Ga, Neg, 2-69
Wire, Dome Light, 4-47
Wire, Ground, 3-51
Wire, Lead, 2-13
Woodruff Key, 5-11, 5-15



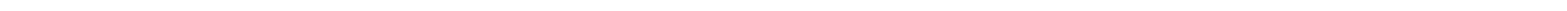
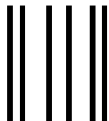
TENNANT COMPANY
 Technical Publications #15
 701 North Lilac Drive
 P.O. Box 1452
 Minneapolis, MN 55440-9947

POSTAGE WILL BE PAID BY ADDRESSEE

BUSINESS REPLY MAIL
 FIRST CLASS MAIL PERMIT NO. 94 MINNEAPOLIS, MN

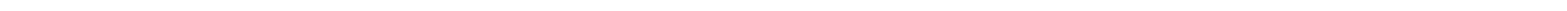


NO POSTAGE
 NECESSARY
 IF MAILED
 IN THE
 UNITED STATES



Fold along dotted lines

Tape here

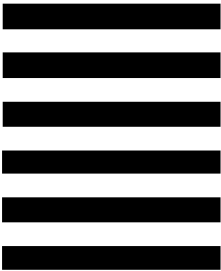




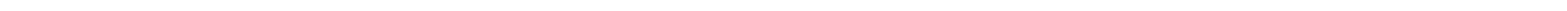
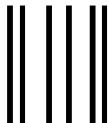
TENNANT COMPANY
 Technical Publications #15
 701 North Lilac Drive
 P.O. Box 1452
 Minneapolis, MN 55440-9947

POSTAGE WILL BE PAID BY ADDRESSEE

BUSINESS REPLY MAIL
 FIRST CLASS MAIL PERMIT NO. 94 MINNEAPOLIS, MN



NO POSTAGE
 NECESSARY
 IF MAILED
 IN THE
 UNITED STATES



Fold along dotted lines

Tape here

